



US00D460883S

(12) **United States Design Patent**
Stanton

(10) **Patent No.:** **US D460,883 S**

(45) **Date of Patent:** **** Jul. 30, 2002**

(54) **TABLE**

Basket weave design, Elysee Collection brochure, Thomasville Furniture Industries, Inc., p. 16, 1999.

(75) **Inventor:** **Shawn Christopher Stanton**, High Point, NC (US)

* cited by examiner

(73) **Assignee:** **Thomasville Furniture Industries, Inc.**, Thomasville, NC (US)

Primary Examiner—Janice E. Seeger

(**) **Term:** **14 Years**

(74) *Attorney, Agent, or Firm*—Womble Carlyle Sandridge & Rice, PLLC

(21) **Appl. No.:** **29/147,697**

(22) **Filed:** **Aug. 31, 2001**

(57) **CLAIM**

The ornamental design for a table, as shown and described.

(51) **LOC (7) Cl.** **06-03**

(52) **U.S. Cl.** **D6/486**

(58) **Field of Search** D6/480-489, 495-499;
108/150, 151, 153.1, 156, 157.1, 161; 248/188,
188.1

DESCRIPTION

FIG. 1 is a perspective view of a table showing my new design;

(56) **References Cited**

U.S. PATENT DOCUMENTS

| | | | | | |
|------------|---|--------|--------------|-------|--------|
| D241,387 S | * | 9/1976 | Perl et al. | | D6/486 |
| D265,878 S | * | 8/1982 | Wistehuff | | D6/488 |
| D356,912 S | * | 4/1995 | Tatum et al. | | D6/486 |
| D408,659 S | * | 4/1999 | Mohundro | | D6/486 |

FIG. 2 is a side elevational view, the opposite side being a mirror image thereof;

FIG. 3 is an alternate side elevational view, the opposite side being a mirror image thereof; and,

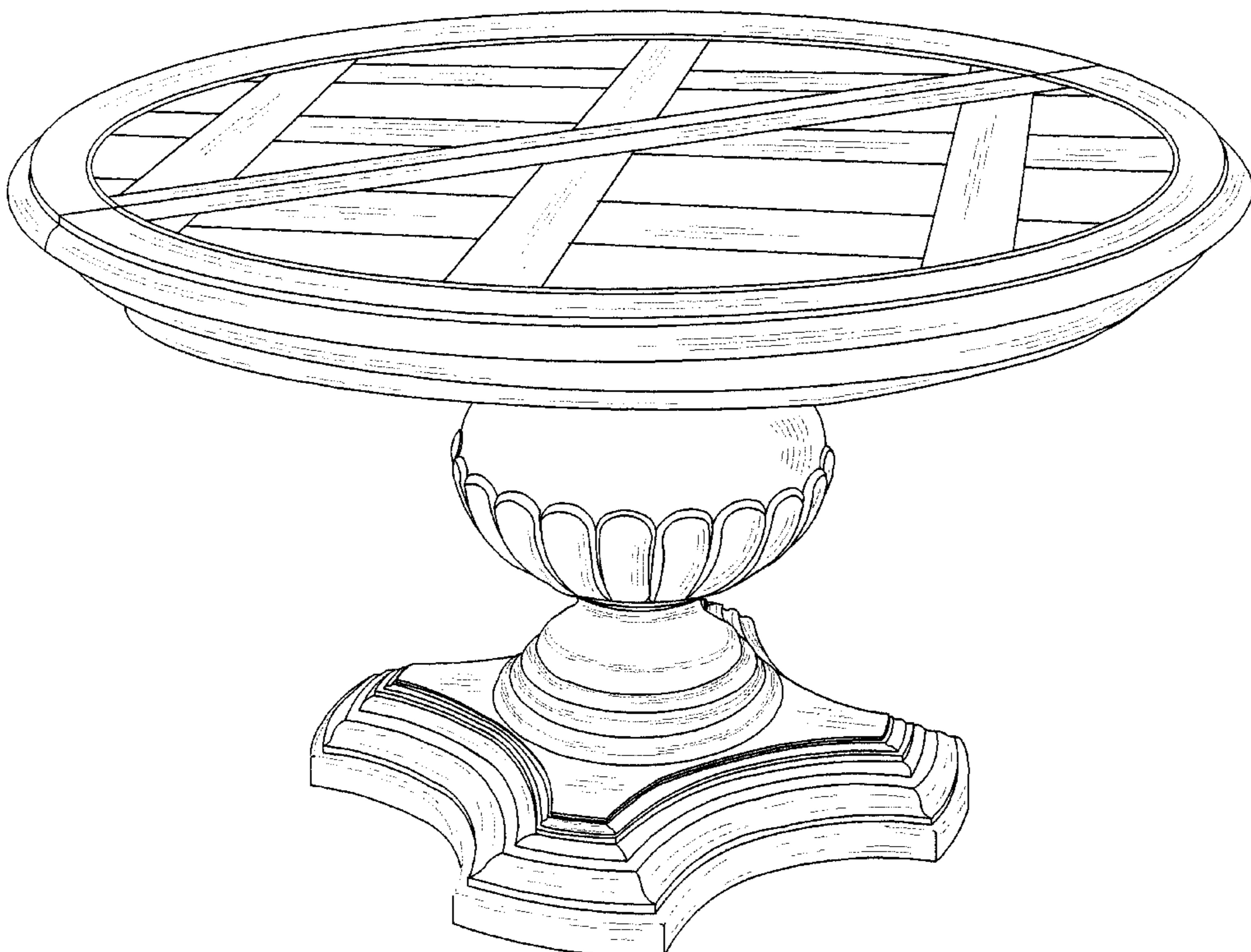
FIG. 4 is a top view thereof.

OTHER PUBLICATIONS

Thomasville, Santa Fe Dining Room, Oct. 1987, front page, table in center.*
Centre Table, Century "Town and Country" brochure, p. 29, 1998.

The bottom view of the table is not shown and forms no part of the claimed design.

1 Claim, 4 Drawing Sheets



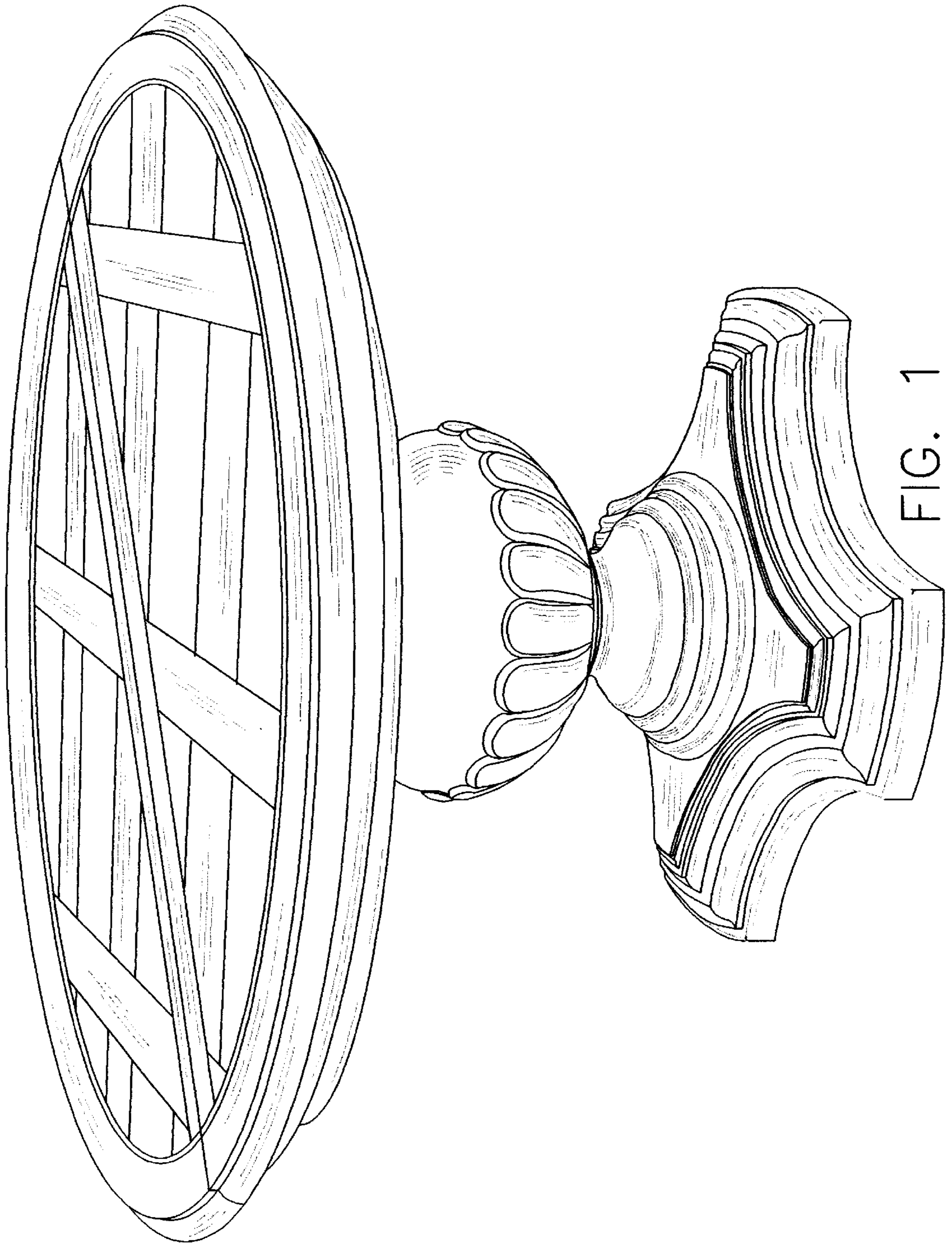


FIG. 1

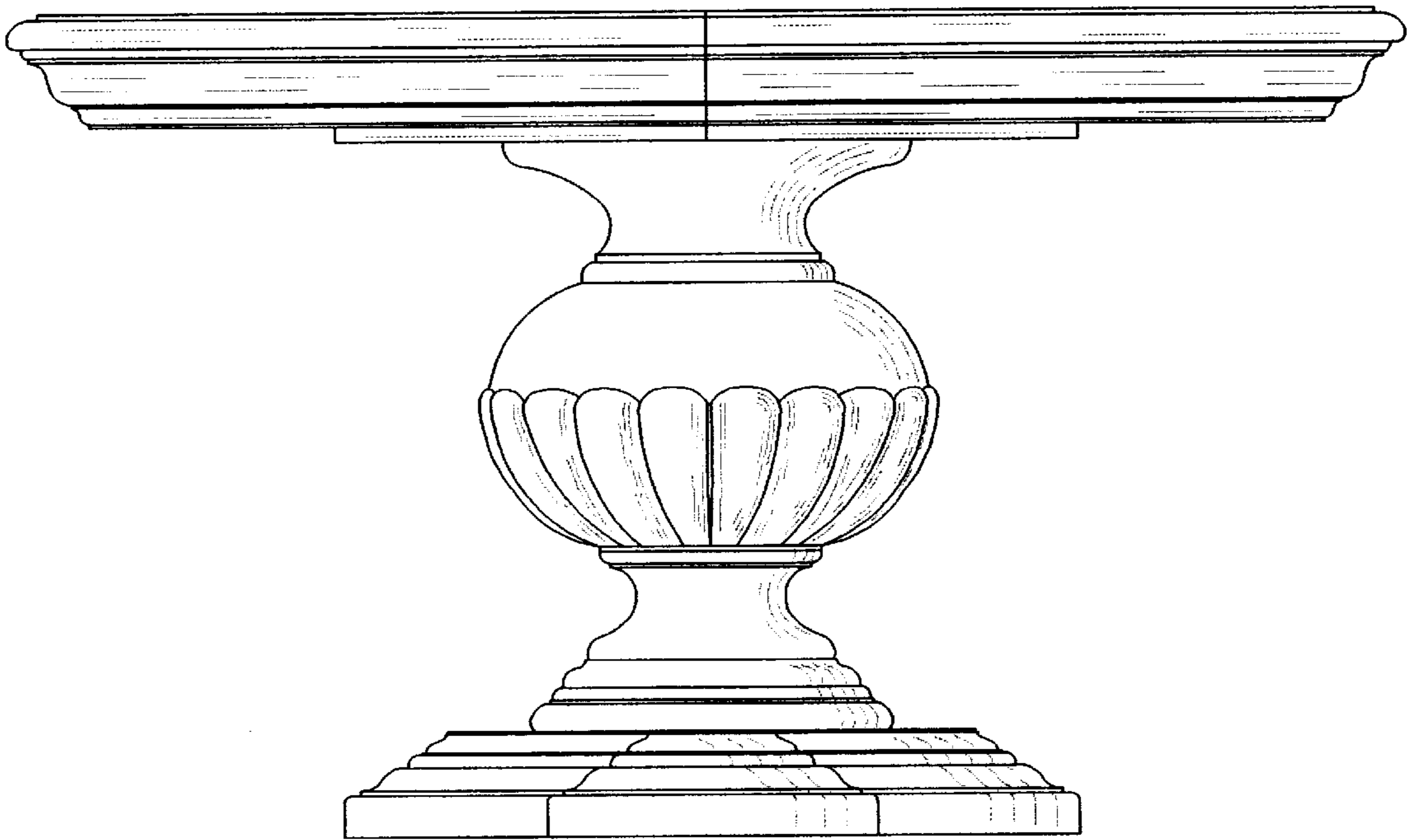


FIG. 2

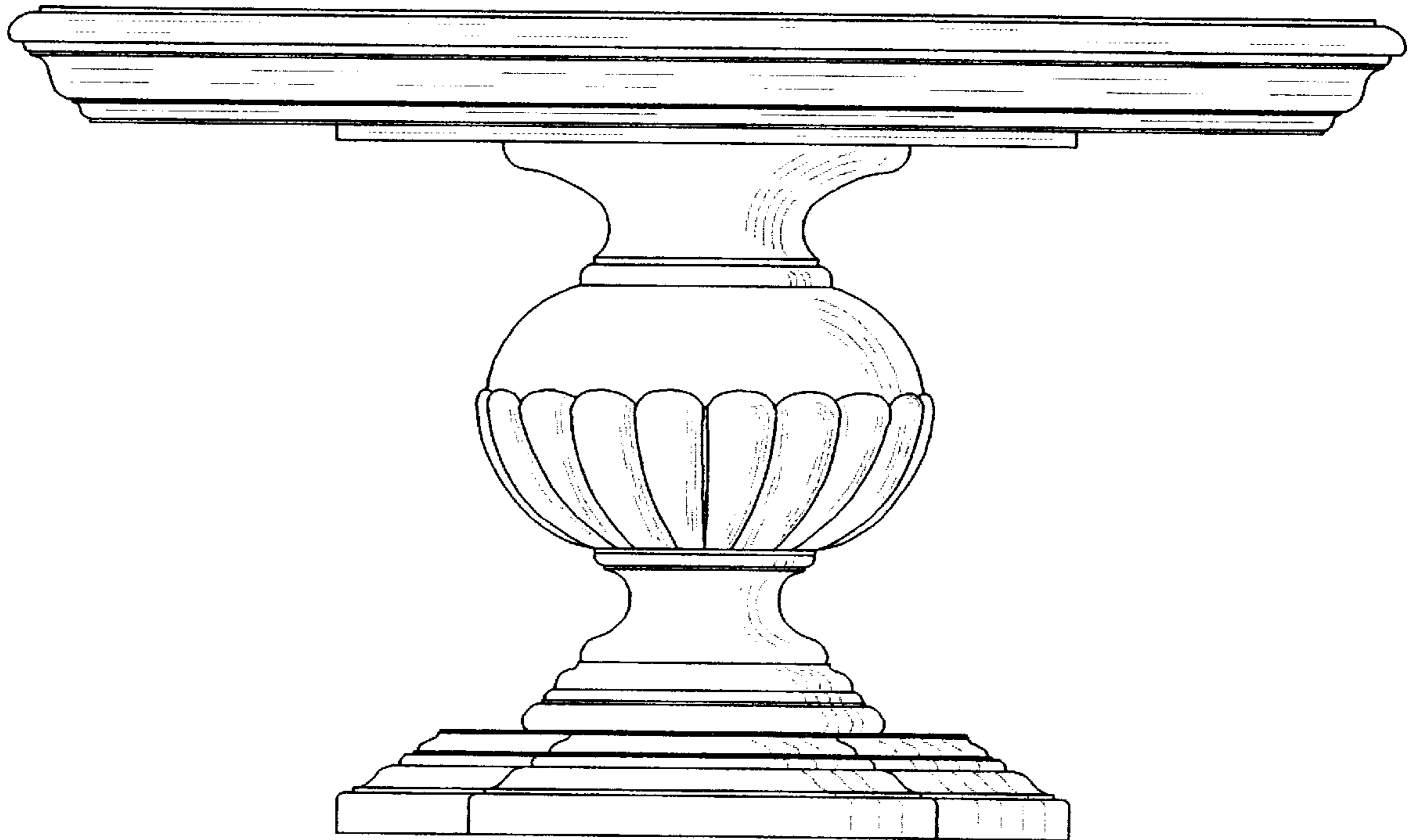


FIG. 3

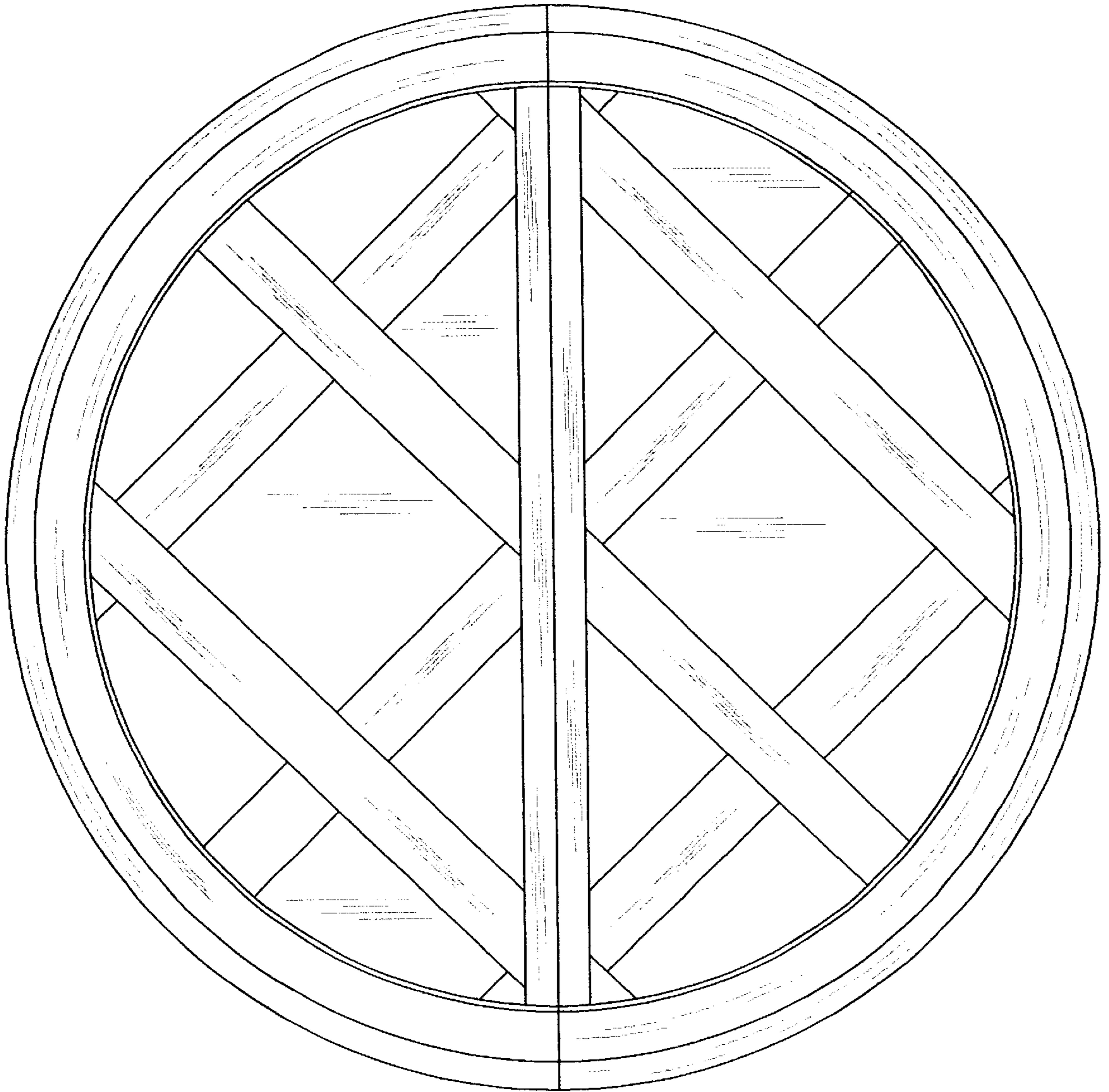


FIG. 4