



US00D460875S

(12) **United States Design Patent**  
**Schweikarth et al.**

(10) **Patent No.:** **US D460,875 S**  
(45) **Date of Patent:** **\*\* Jul. 30, 2002**

(54) **CHAIR**

D432,326 S \* 10/2000 Duffy et al. .... D6/379

(75) Inventors: **Derek Schweikarth**, Jasper; **Donald Woods**, Celestine, both of IN (US)

**OTHER PUBLICATIONS**

(73) Assignee: **Kimball International, Inc.**, Jasper, IN (US)

Interior Design Winter Market, p. 113, Alma chair at center page, 1989.\*

(\*\*) Term: **14 Years**

Paoli Furniture, p. 45 of catalog, Silhouette, undated.

(21) Appl. No.: **29/143,368**

Paoli Furniture, p. 49 of catalog, Cerise and Wall Street, undated.

(22) Filed: **Jun. 12, 2001**

Paoli Furniture, Dora, undated.

(51) **LOC (7) Cl.** ..... **06-01**

WinsLoew Company brochure, Medallion, undated.

(52) **U.S. Cl.** ..... **D6/379**

WinsLoew Company brochure, Medallion Executive Collection, undated.

(58) **Field of Search** ..... D6/334, 374, 375, D6/379, 380, 500, 501, 502; 297/446.1

\* cited by examiner

(56) **References Cited**

*Primary Examiner*—Gary D. Watson

**U.S. PATENT DOCUMENTS**

(74) *Attorney, Agent, or Firm*—Baker & Daniels

D84,860 S	8/1931	Tucker	
D103,714 S	* 3/1937	Davis et al. ....	D6/379
D162,865 S	4/1951	Niemann	
D336,793 S	* 6/1993	Claman .....	D6/379
D340,144 S	* 10/1993	Claman .....	D6/379
D358,493 S	5/1995	Ginat .....	D6/334
D358,503 S	5/1995	Ginat .....	D6/379
D362,558 S	9/1995	Reinhard .....	D6/379
D370,790 S	6/1996	Dammerman .....	D6/366
D417,970 S	12/1999	Duffy et al. ....	D6/379

(57) **CLAIM**

The ornamental design for a chair, as shown and described.

**DESCRIPTION**

FIG. 1 is a perspective view of a chair showing our new design;

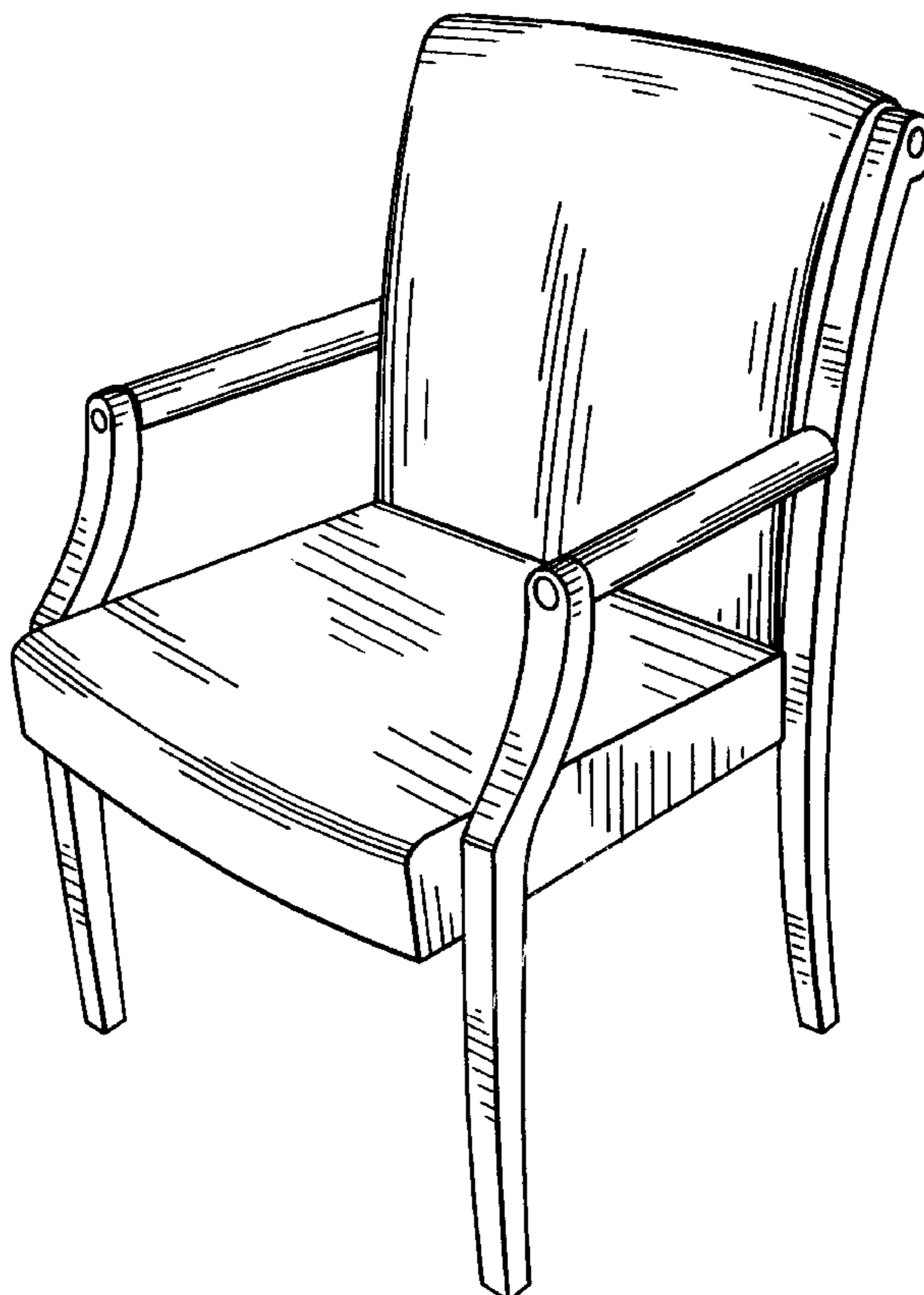
FIG. 2 is a front view thereof;

FIG. 3 is a right side view thereof;

FIG. 4 is a back view thereof; and,

FIG. 5 is a top view thereof.

**1 Claim, 3 Drawing Sheets**



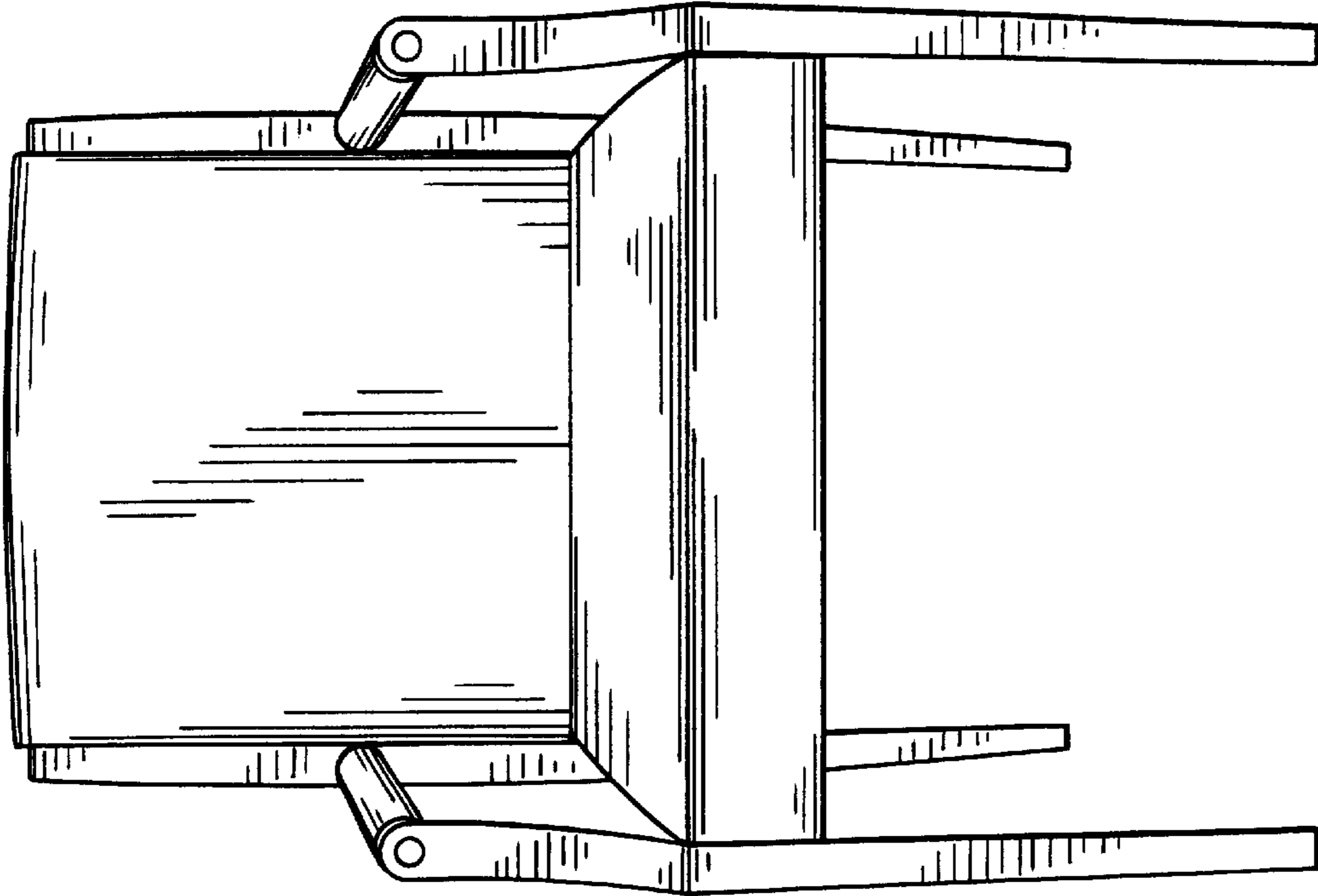


FIG. 2

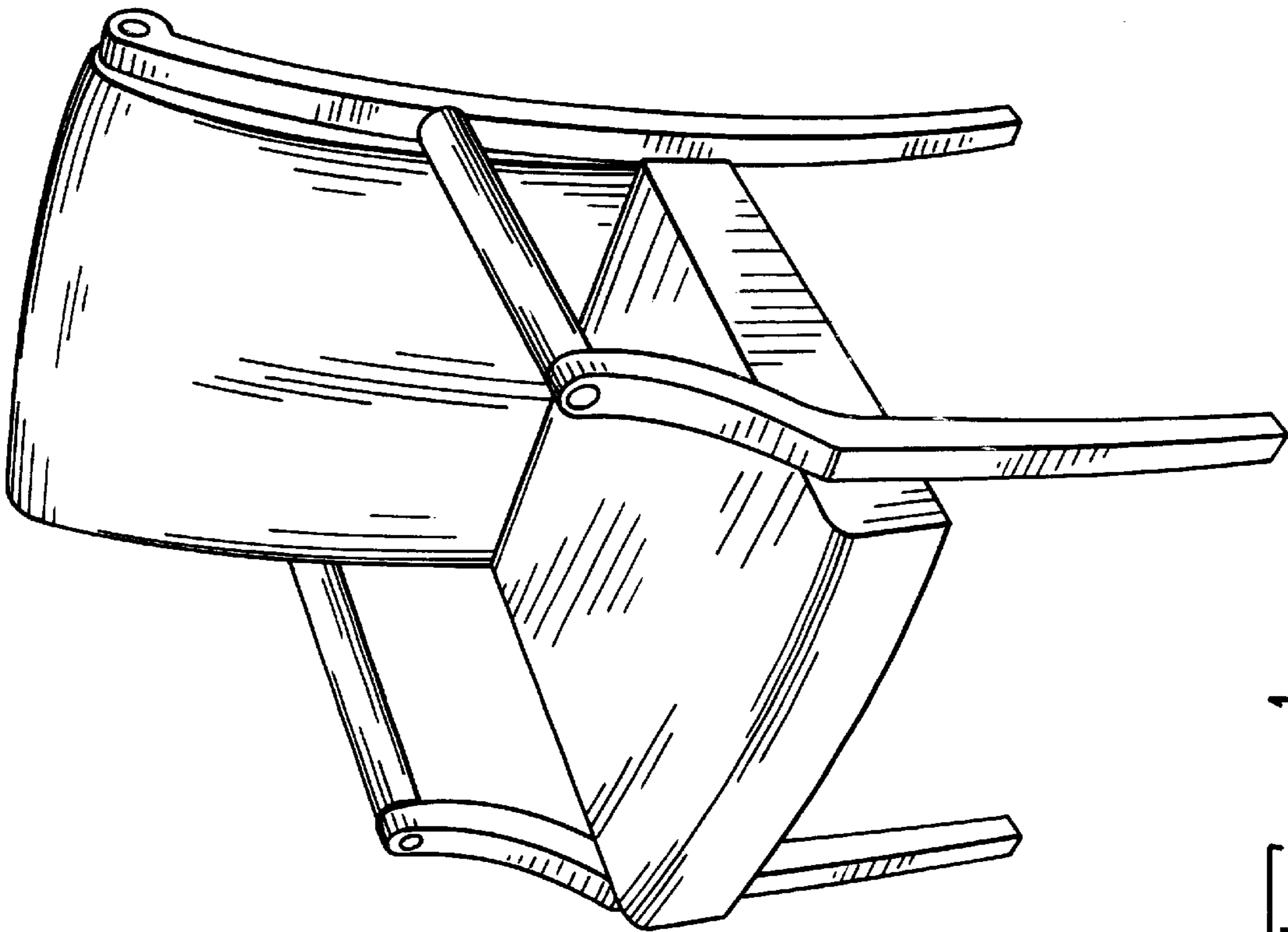


FIG. 1

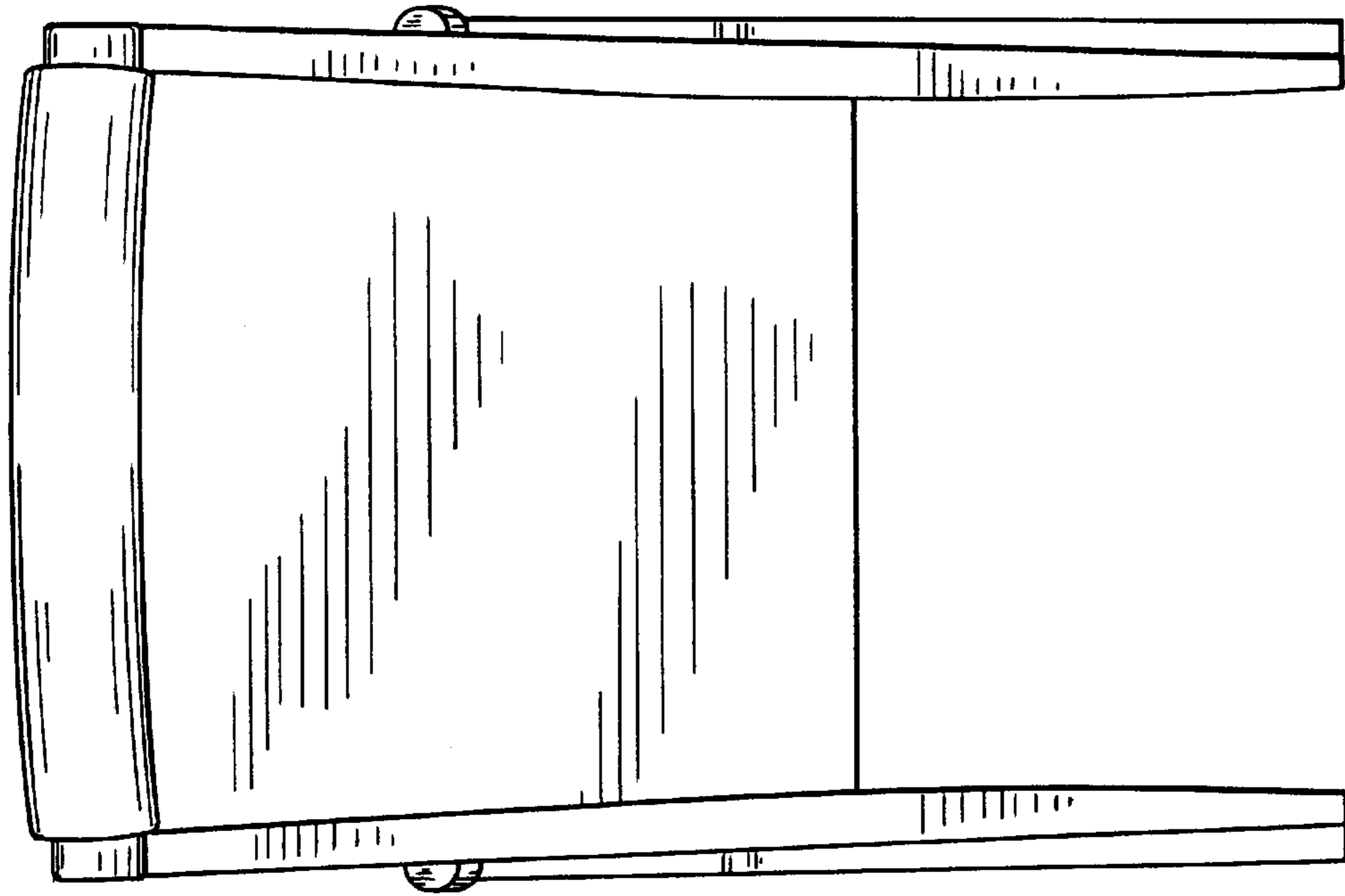


Fig. 4

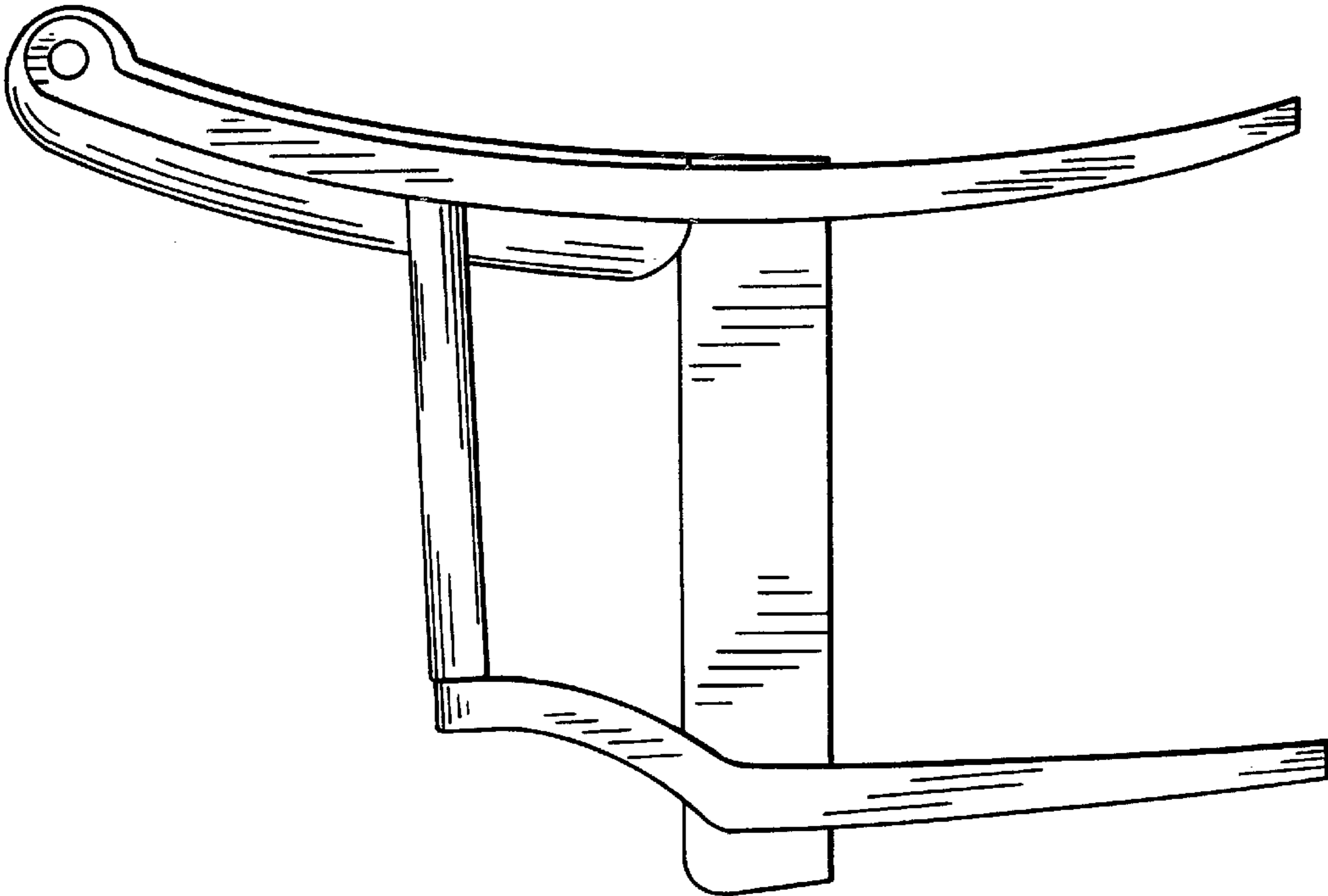


Fig. 3

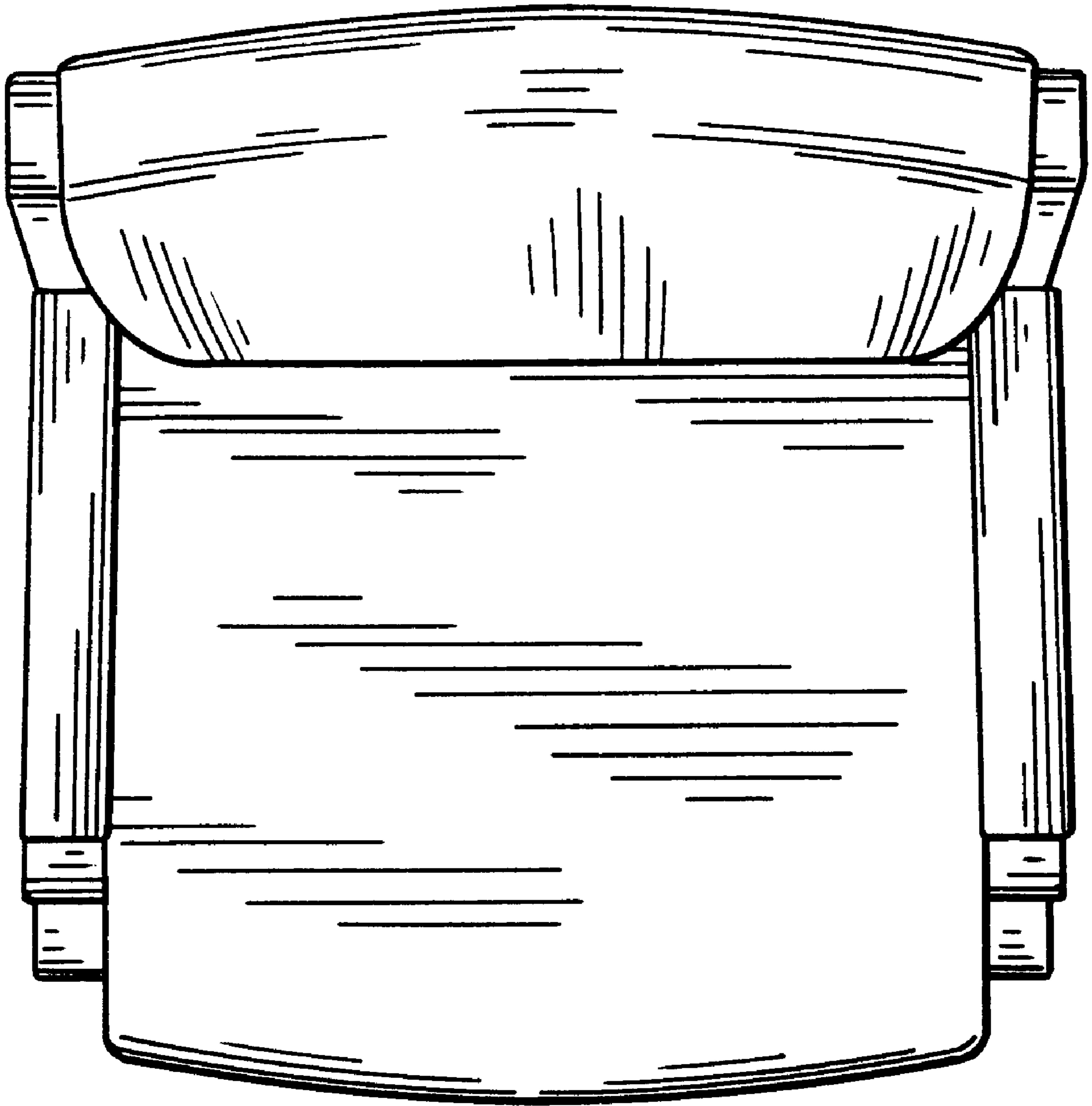


Fig. 5