



US00D460874S

(12) **United States Design Patent**
Joseph

(10) **Patent No.:** **US D460,874 S**

(45) **Date of Patent:** **** Jul. 30, 2002**

(54) **CHAIR**

6,003,948 A 12/1999 Holbrook

(75) Inventor: **Jean Joseph**, Chicago, IL (US)

(73) Assignee: **Chicago Textile Corporation**, Chicago, IL (US)

(**) Term: **14 Years**

(21) Appl. No.: **29/145,567**

(22) Filed: **Jul. 25, 2001**

Related U.S. Application Data

(62) Division of application No. 29/122,309, filed on Apr. 25, 2000.

(51) **LOC (7) Cl.** **06-01**

(52) **U.S. Cl.** **D6/375**

(58) **Field of Search** D6/334, 335, 348, D6/360, 368, 369, 370, 373, 374, 375, 376, 379, 380, 381, 499, 500, 501, 502; 297/232, 445.1, 446.1, 448.1, 452.64, 452.63

(56) **References Cited**

U.S. PATENT DOCUMENTS

D171,176 S	12/1953	Yellen
2,689,602 A	9/1954	Morgan
D188,490 S	8/1960	LoVico
D237,673 S	11/1975	Uchida
D239,581 S	4/1976	Cuneo
D244,646 S	6/1977	Uchida
D246,620 S	12/1977	Dranger et al.
4,318,556 A	3/1982	Rowland
4,421,356 A	12/1983	Singer
D282,985 S	3/1986	Cronk
D285,028 S	8/1986	McBride
5,499,857 A	3/1996	Lynch, Jr.
D397,264 S	8/1998	Joseph
RE36,335 E	10/1999	Perry

OTHER PUBLICATIONS

Advertisement Tripolina Armchair designed in 1877, made since 1952, p. 92.

Catalog p. 1, Casual Furniture collection by Gold Medal, 1977.

Catalog pp. 23 and 25, CB 1996.

2 pages of advertising brochures from Chicago Textile, 1998.

Chair illustrated in Spiegel catalog, pp. 300 and 331, Fall/Winter 1997.

Primary Examiner—Doris V. Coles

Assistant Examiner—Elizabeth A. Albert

(74) *Attorney, Agent, or Firm*—Leydig, Voit & Mayer, Ltd.

(57) **CLAIM**

The ornamental design for a chair, as shown and described.

DESCRIPTION

FIG. 1 is a perspective view of a chair, including a frame and seat pad, showing my new design;

FIG. 2 is a top view of FIG. 1;

FIG. 3 is a side view of FIG. 1;

FIG. 4 is a side view of FIG. 1;

FIG. 5 is a bottom view of FIG. 1;

FIG. 6 is a front view of FIG. 1;

FIG. 7 is a rear view of FIG. 1;

FIG. 8 is a perspective view of the chair in FIG. 1, without the seat pad;

FIG. 9 is a top view of FIG. 8;

FIG. 10 is a side view of FIG. 8;

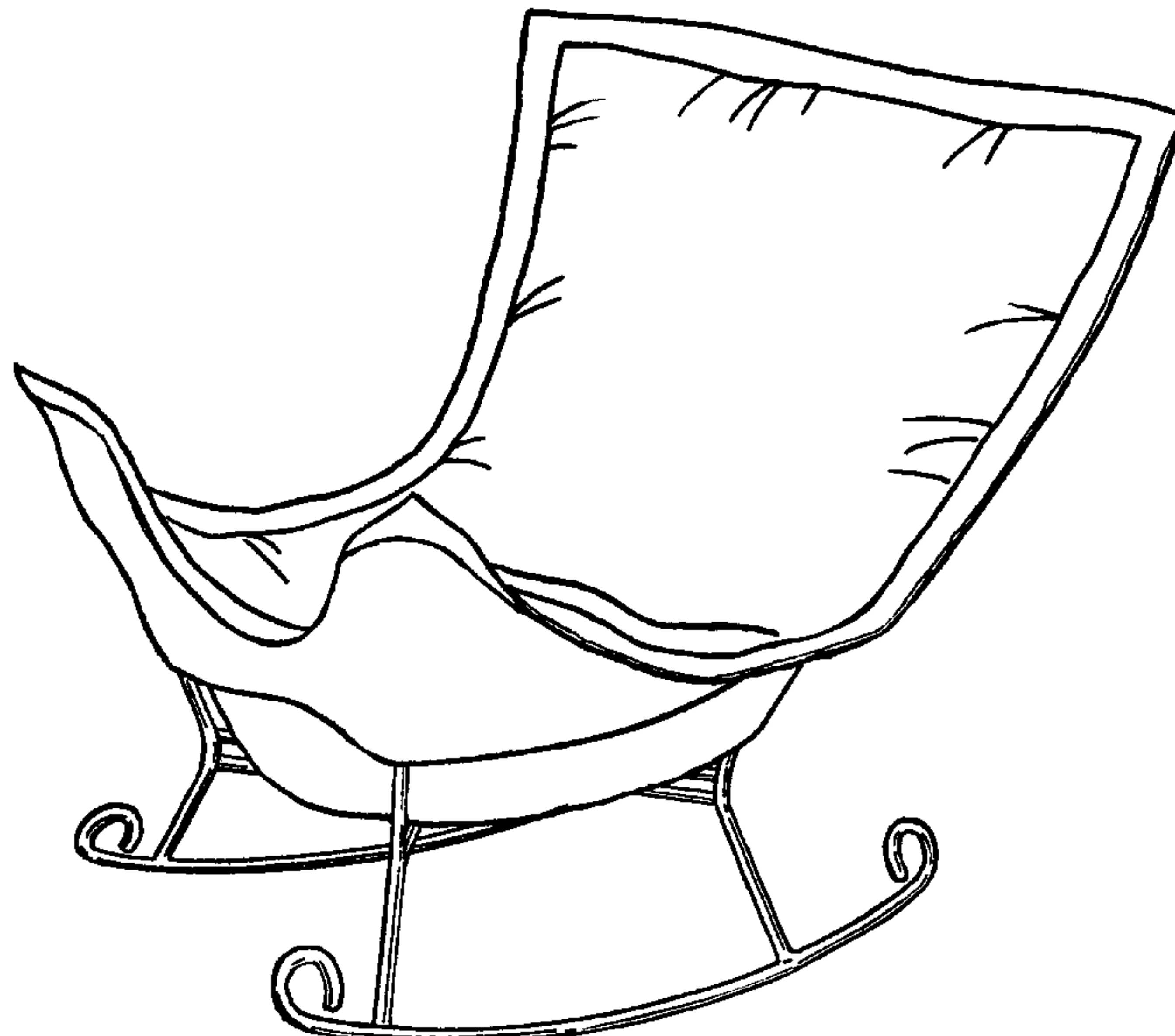
FIG. 11 is a side view of FIG. 8;

FIG. 12 is a bottom view of FIG. 8;

FIG. 13 is a front view of FIG. 8; and,

FIG. 14 is a rear view of FIG. 8.

1 Claim, 8 Drawing Sheets



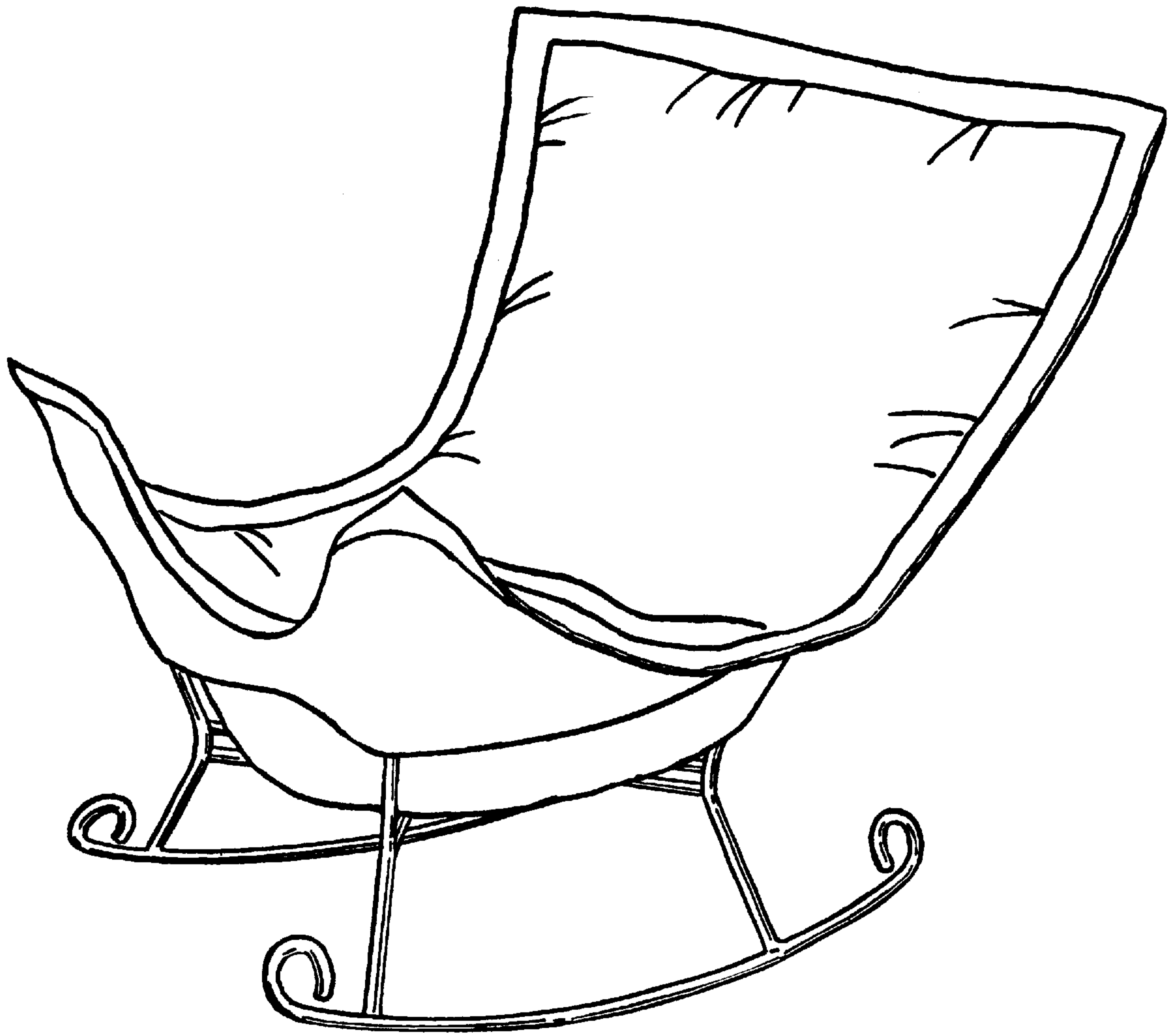


FIG. 1

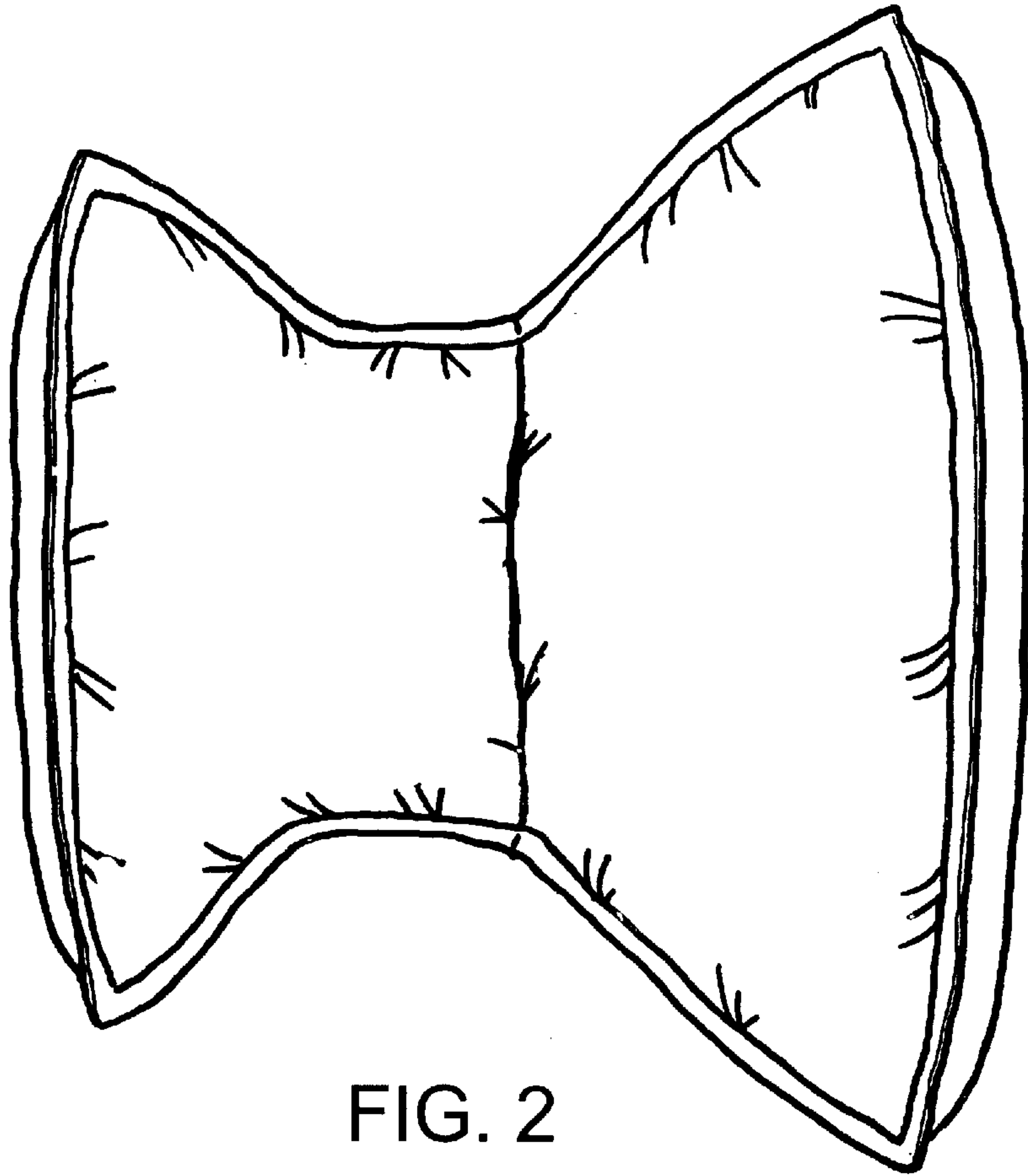


FIG. 2

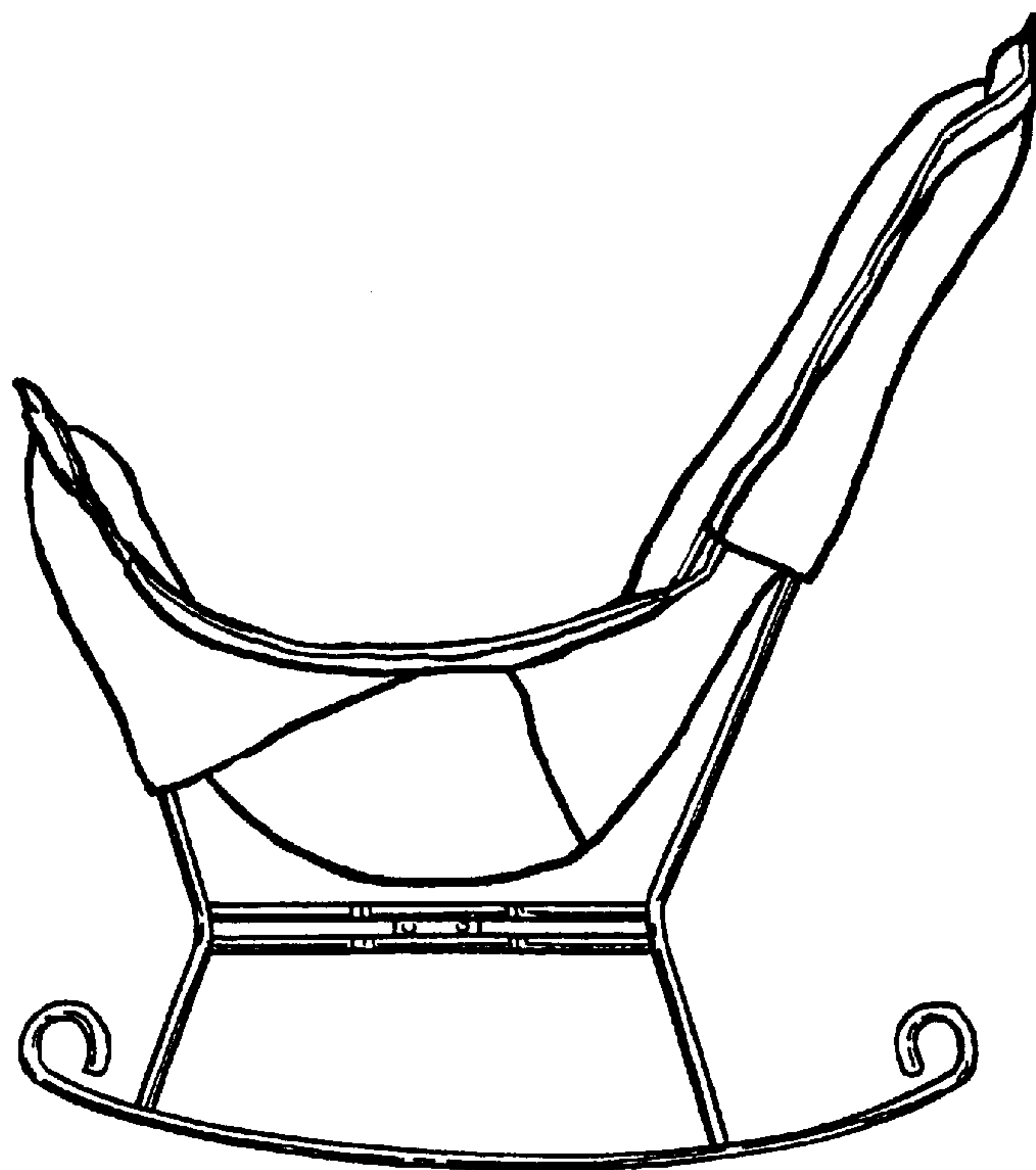


FIG. 3

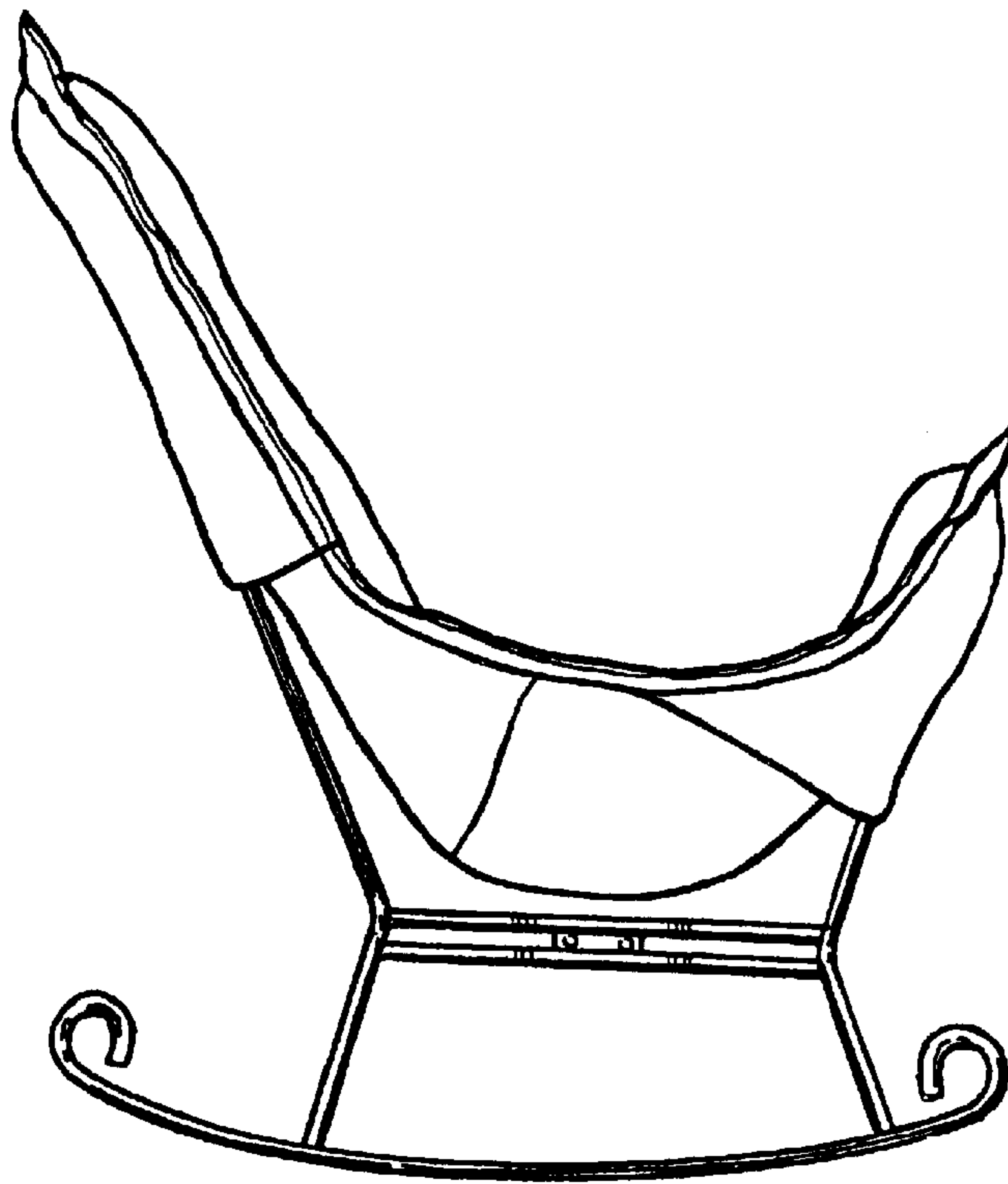


FIG. 4

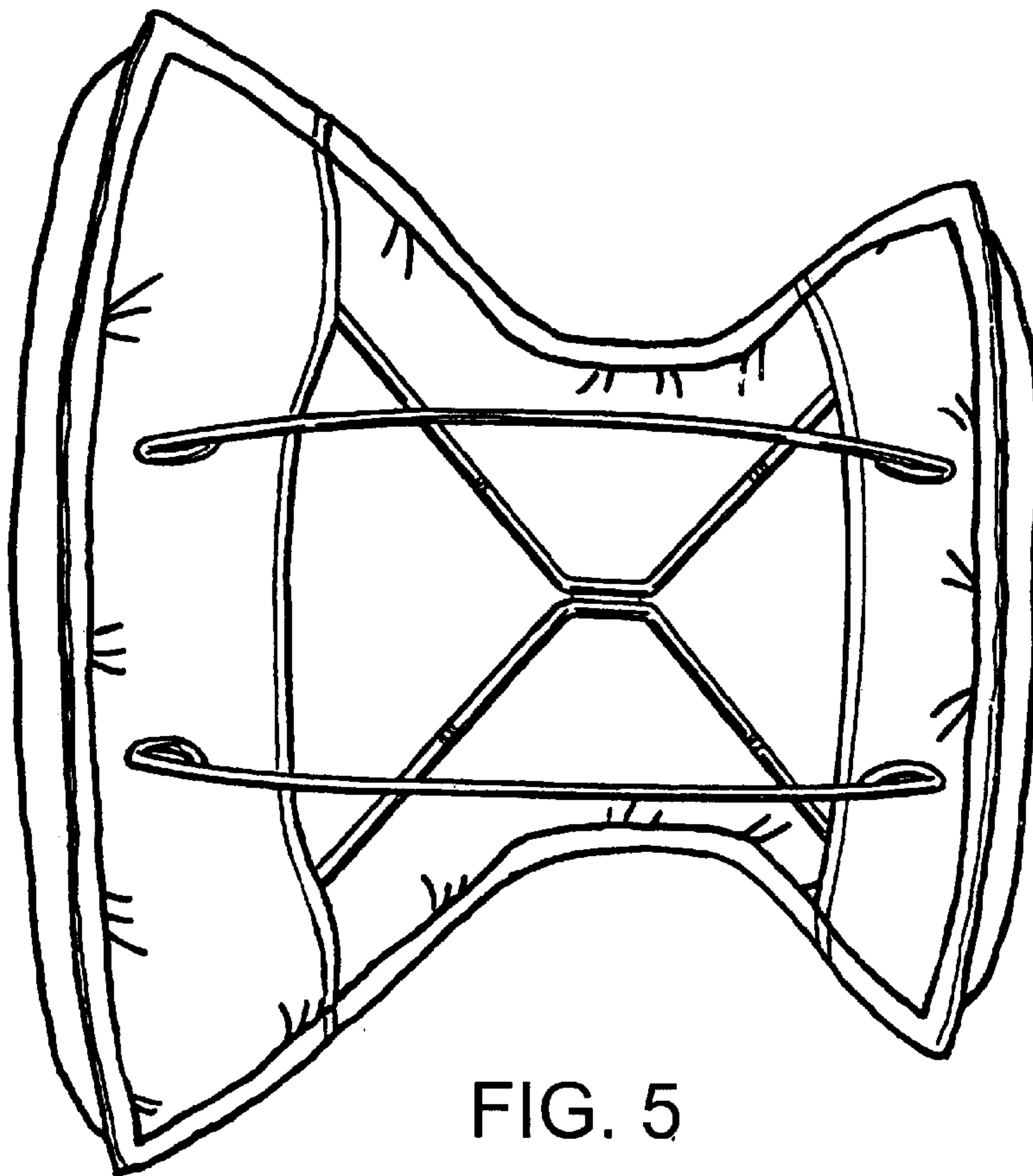
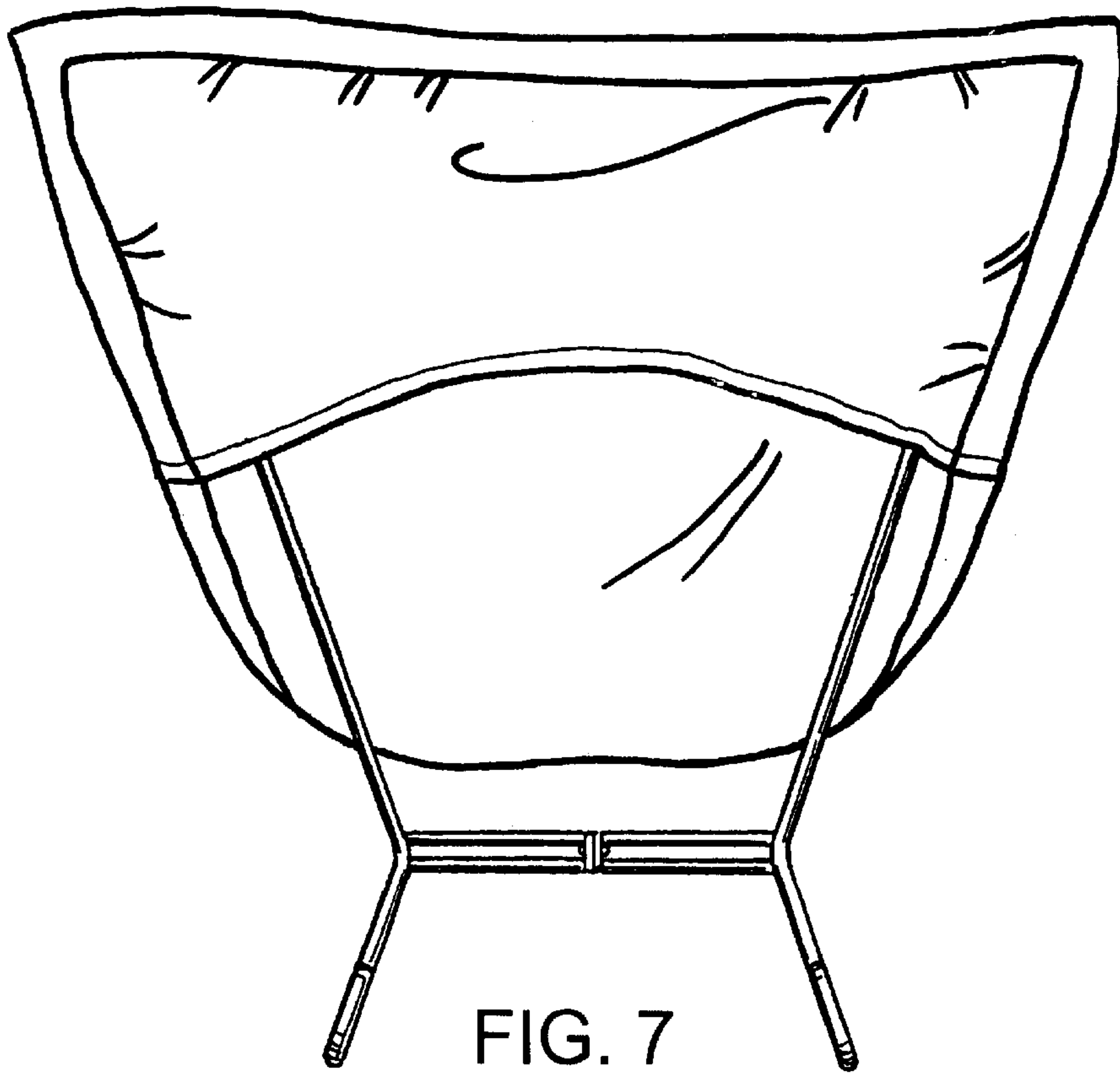
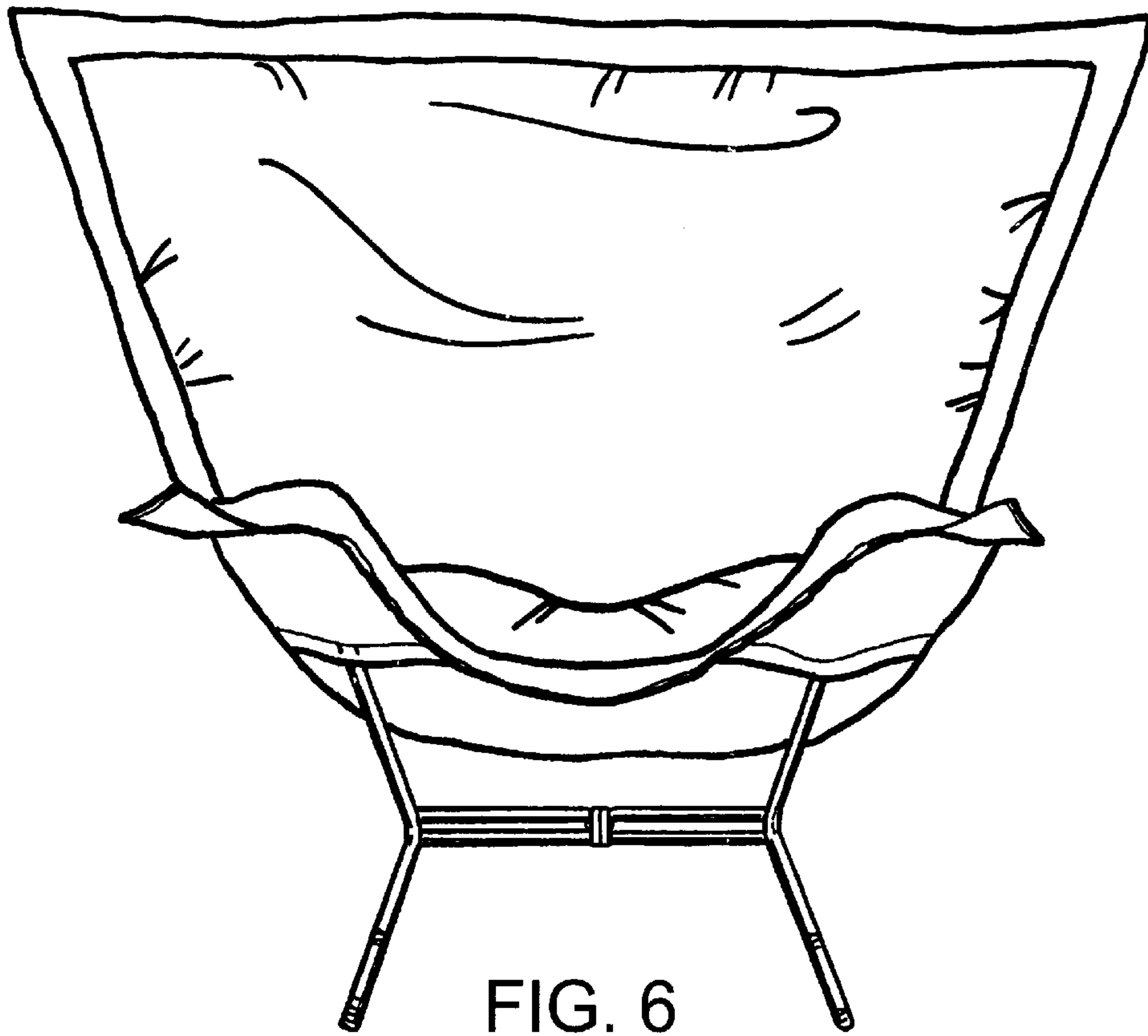


FIG. 5



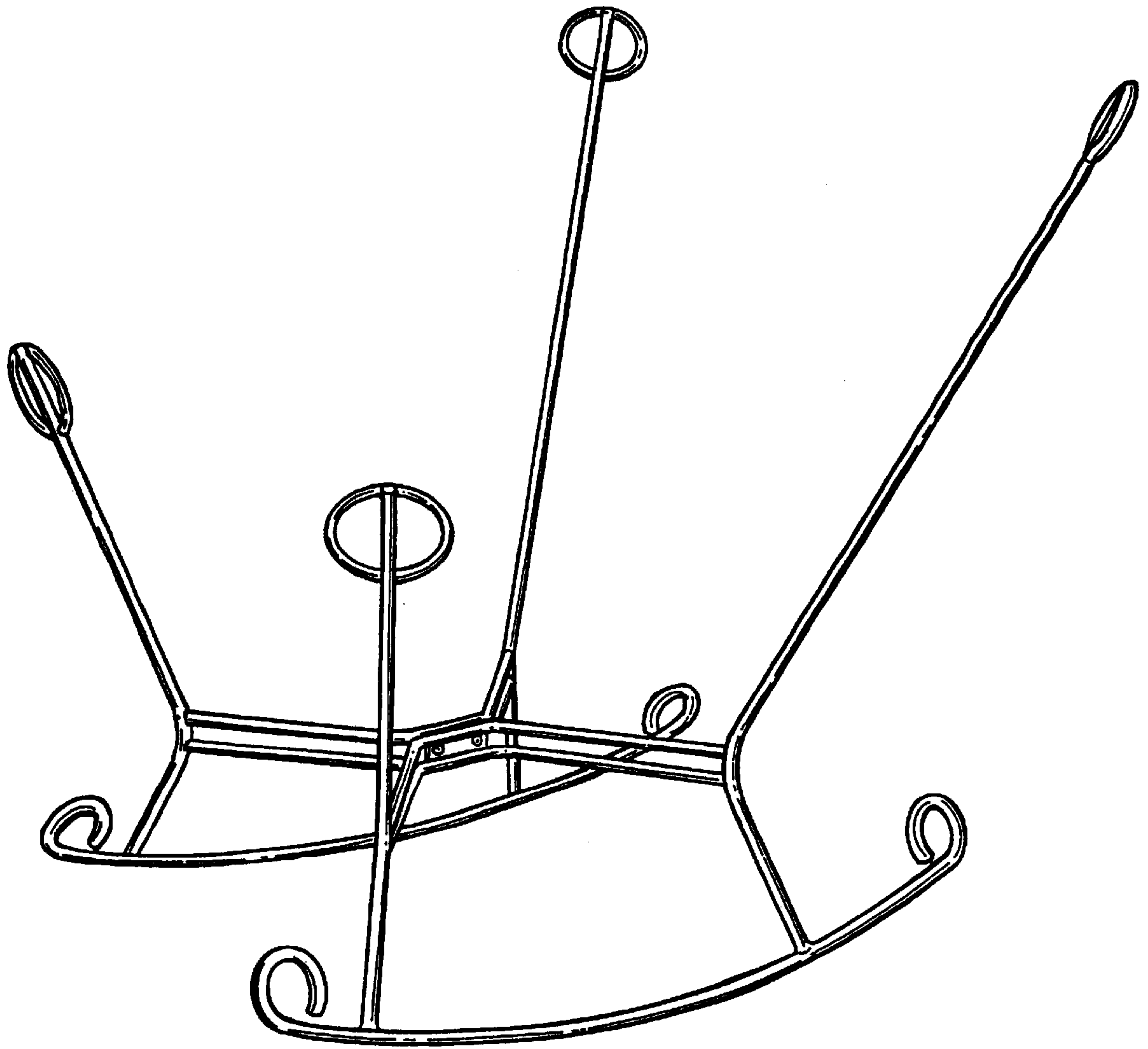


FIG. 8

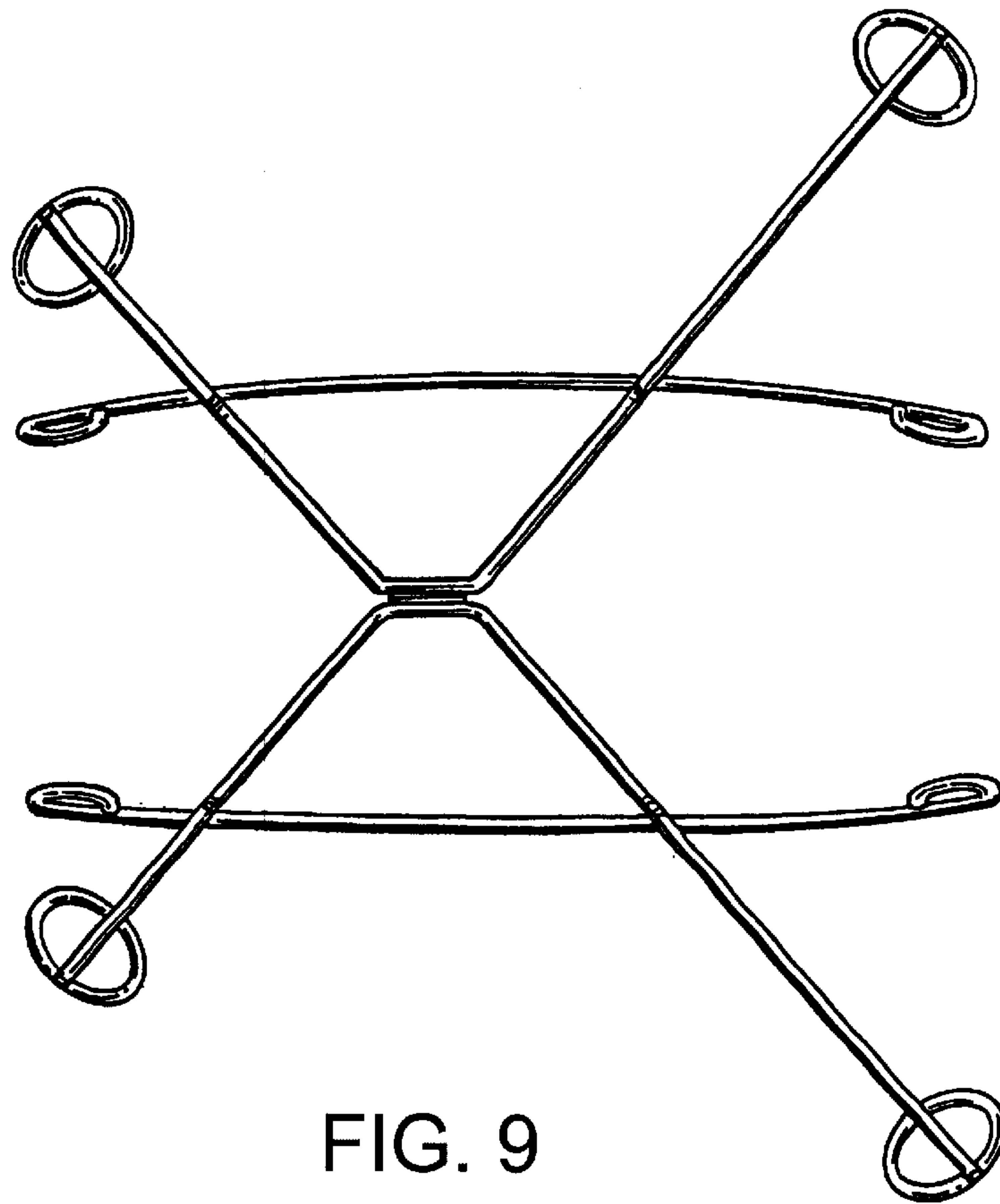


FIG. 9

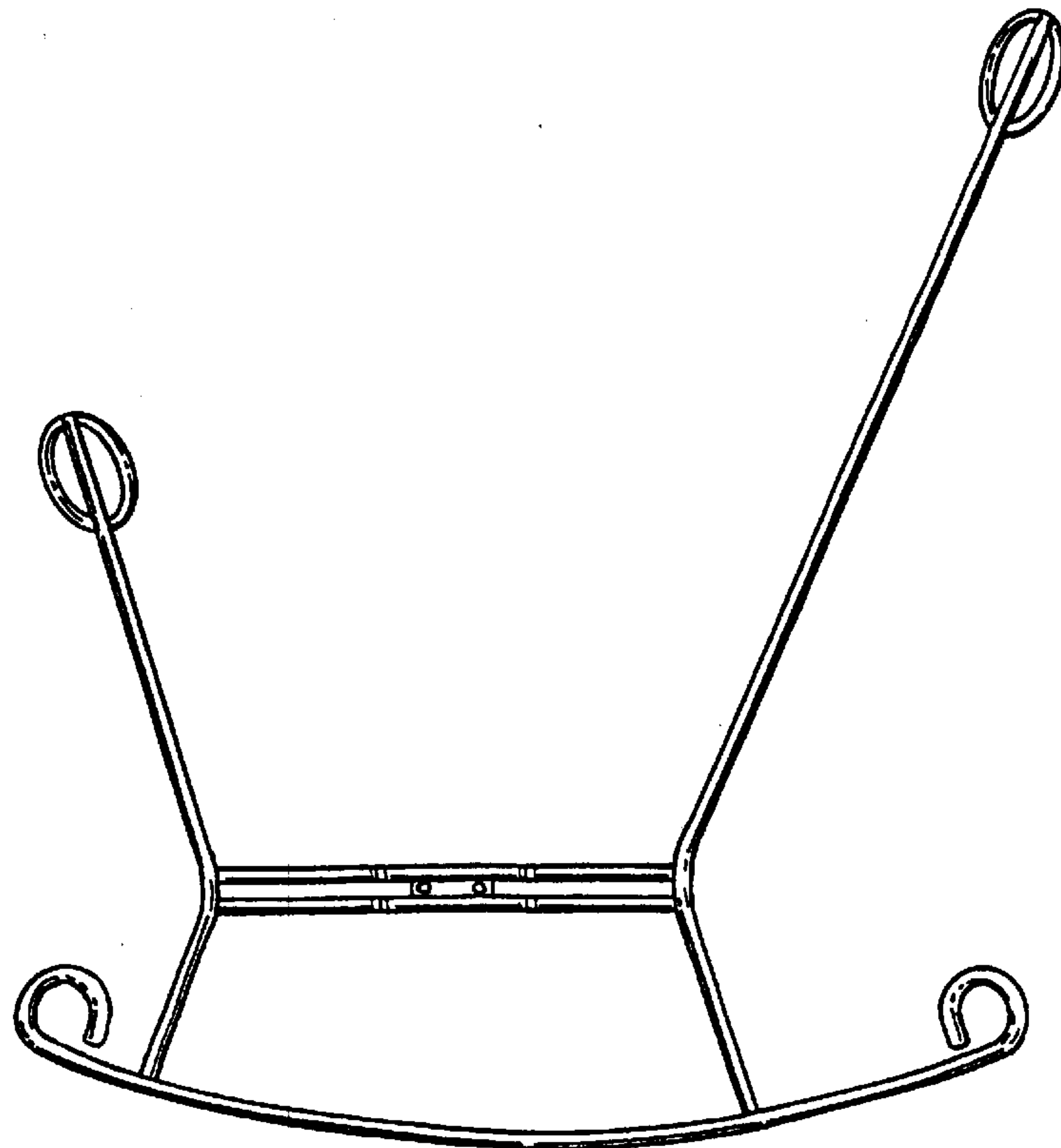


FIG. 10

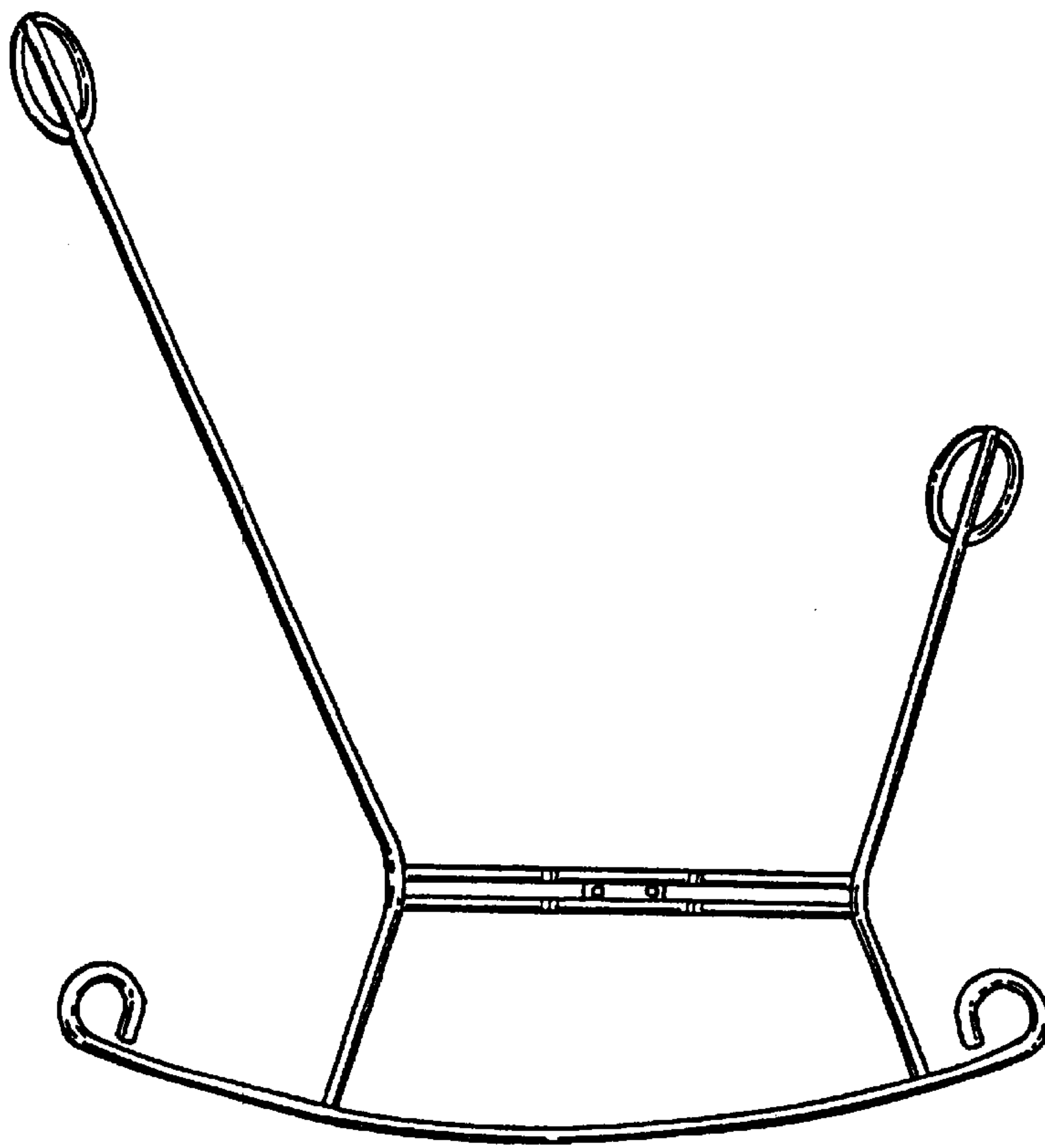


FIG. 11

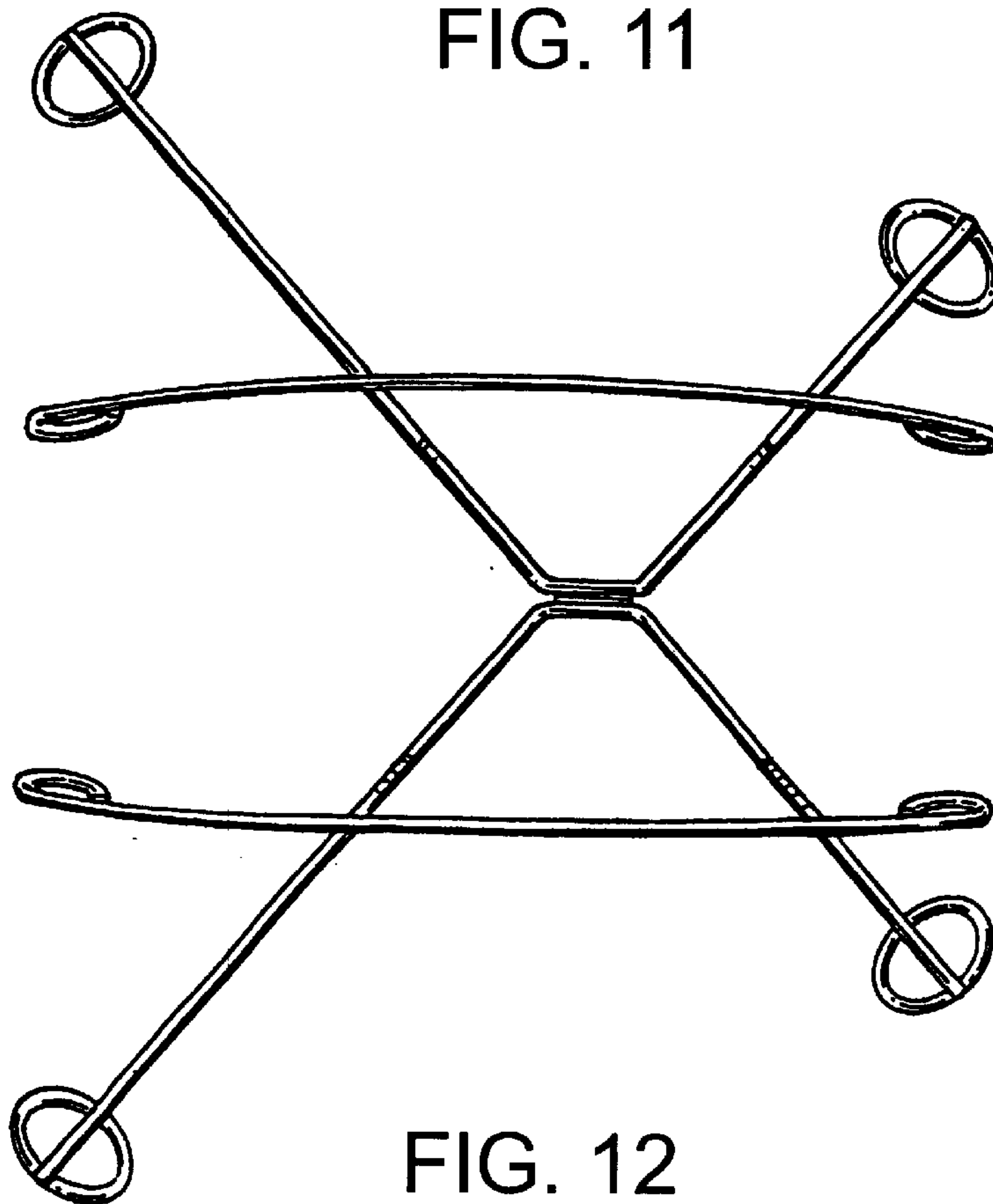


FIG. 12

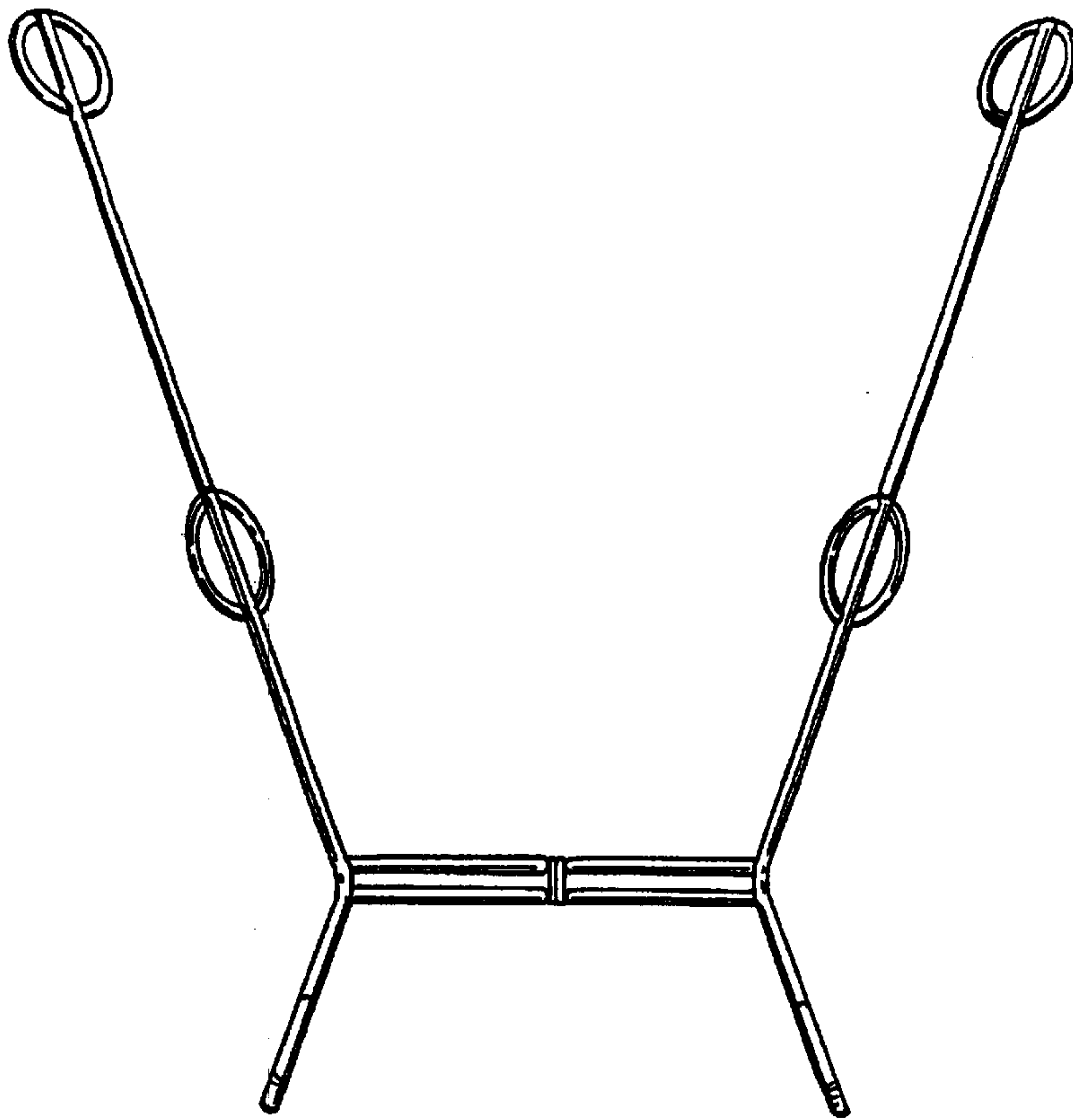


FIG. 13

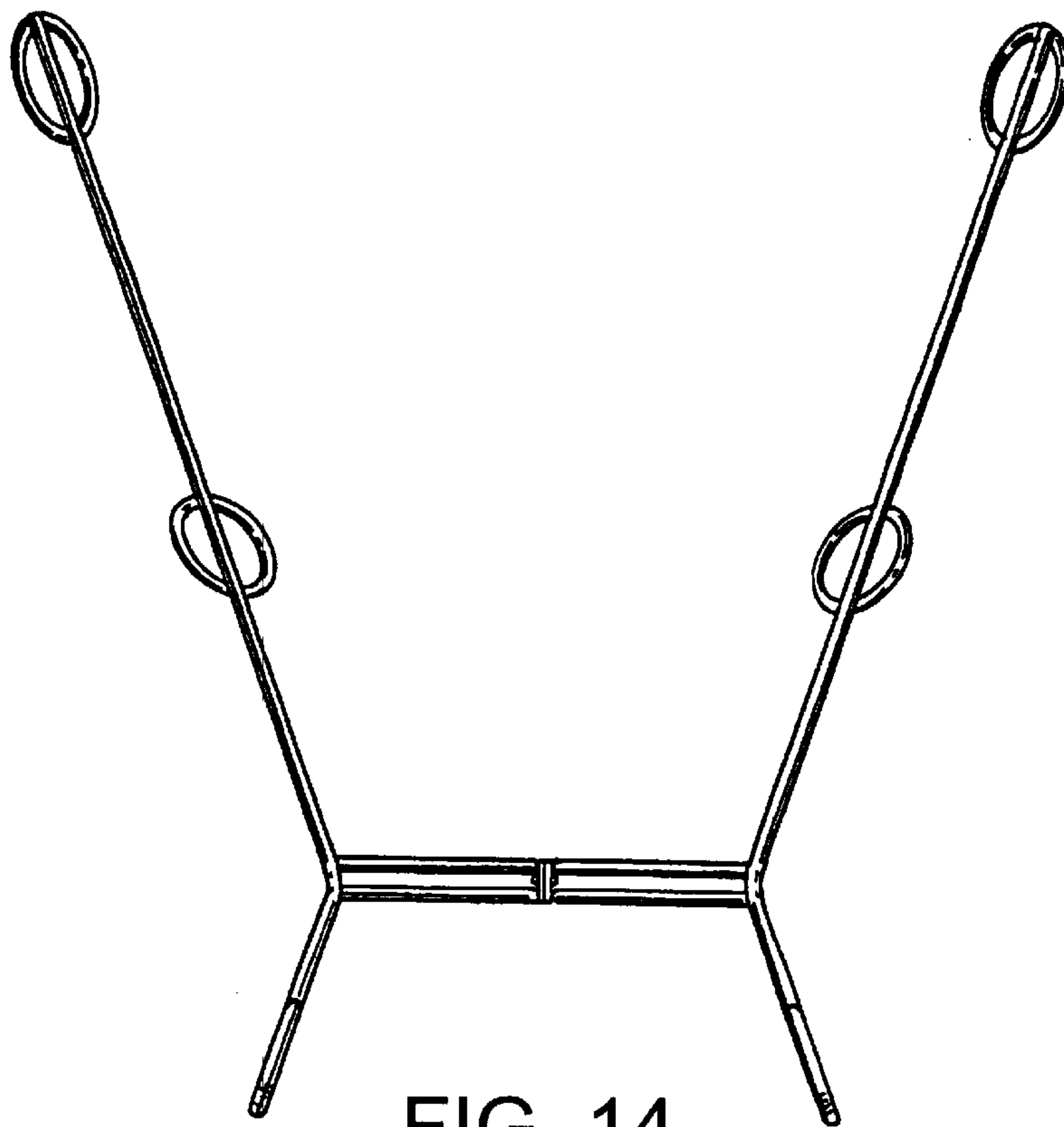


FIG. 14