



US00D460871S

(12) **United States Design Patent**
Opsvik

(10) **Patent No.:** **US D460,871 S**

(45) **Date of Patent:** **** Jul. 30, 2002**

(54) **CHAIR**

4,109,961 A * 8/1978 Opsvik 297/338
D289,347 S * 4/1987 Halme D6/370

(76) Inventor: **Peter Opsvik**, Pilestredet 27 H, Oslo
(NO), N-0164

* cited by examiner

(**) Term: **14 Years**

Primary Examiner—Doris V. Coles

Assistant Examiner—Mimosa De

(21) Appl. No.: **29/130,388**

(74) *Attorney, Agent, or Firm*—Volpe and Koenig, P.C.

(22) Filed: **Sep. 29, 2000**

(57) **CLAIM**

(30) **Foreign Application Priority Data**

The ornamental design for a chair, as shown and described.

Mar. 30, 2000 (NO) 2000 0218

DESCRIPTION

(51) **LOC (7) Cl.** **06-01**

FIG. 1 is a perspective view of a chair in accordance with the
inventive design;

(52) **U.S. Cl.** **D6/367**

FIG. 2 is a top plan view thereof;

(58) **Field of Search** D6/333, 334, 335,

FIG. 3 is a front elevated view thereof;

D6/336, 339, 348, 367, 370, 371, 379,

FIG. 4 is a rear elevational view thereof;

372, 380, 500–502; 297/338, 258.1, 259.1,

FIG. 5 is a left side elevational view thereof, the other side
being a mirror image; and,

271.5, 271.6

FIG. 6 is a bottom plan view thereof.

(56) **References Cited**

U.S. PATENT DOCUMENTS

D233,092 S * 10/1974 Laylon D6/375

1 Claim, 3 Drawing Sheets

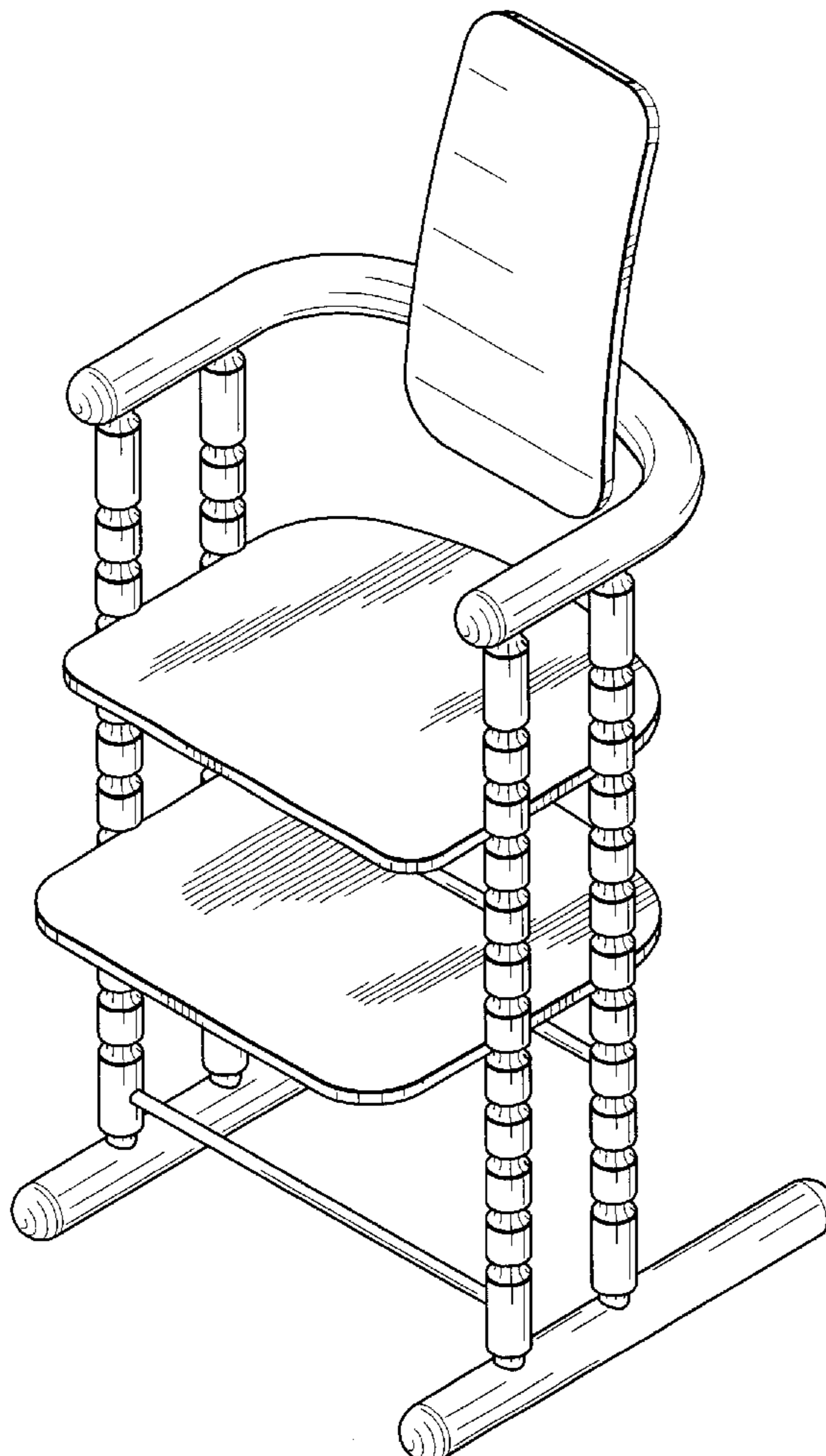


FIG. 1

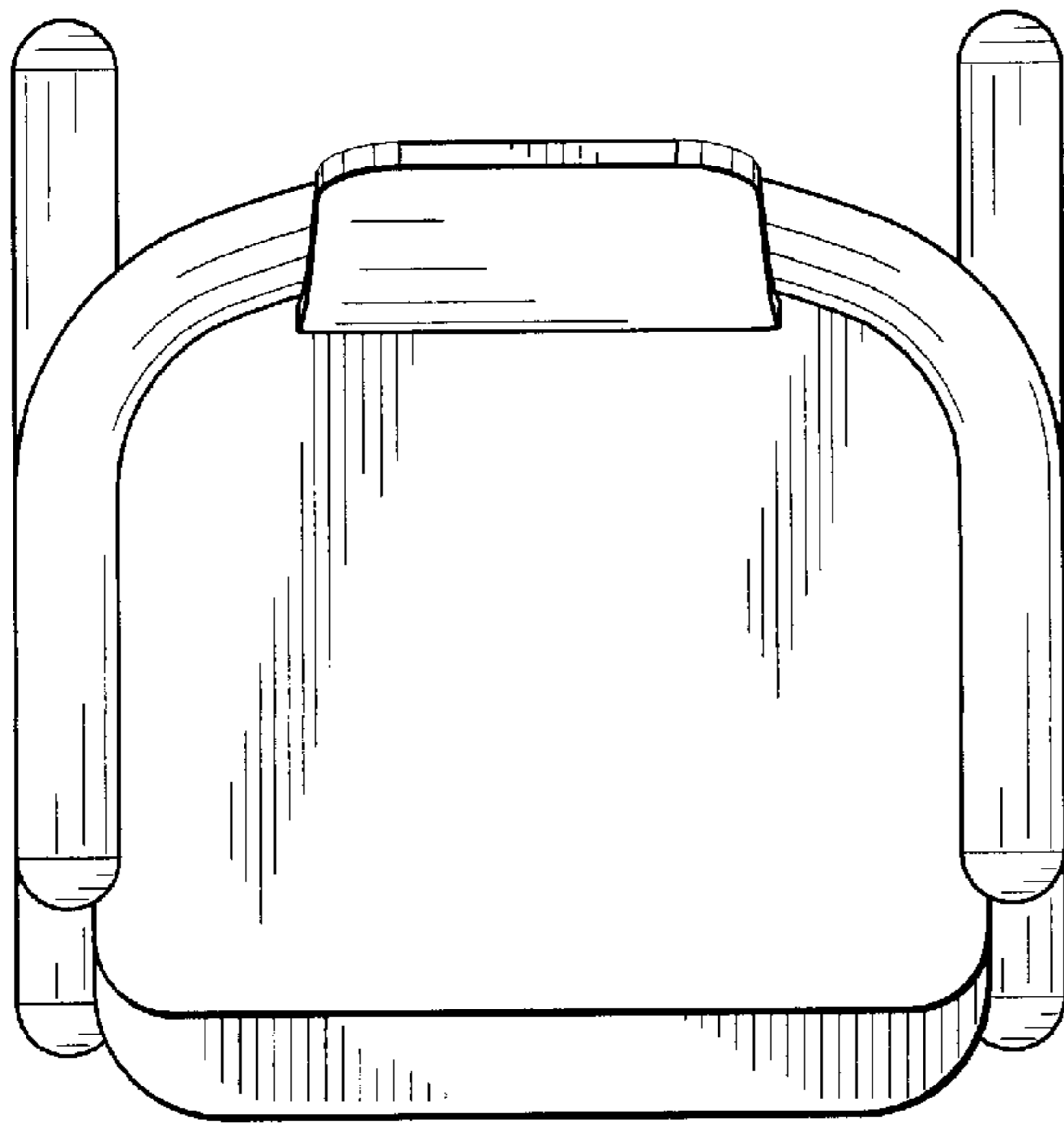
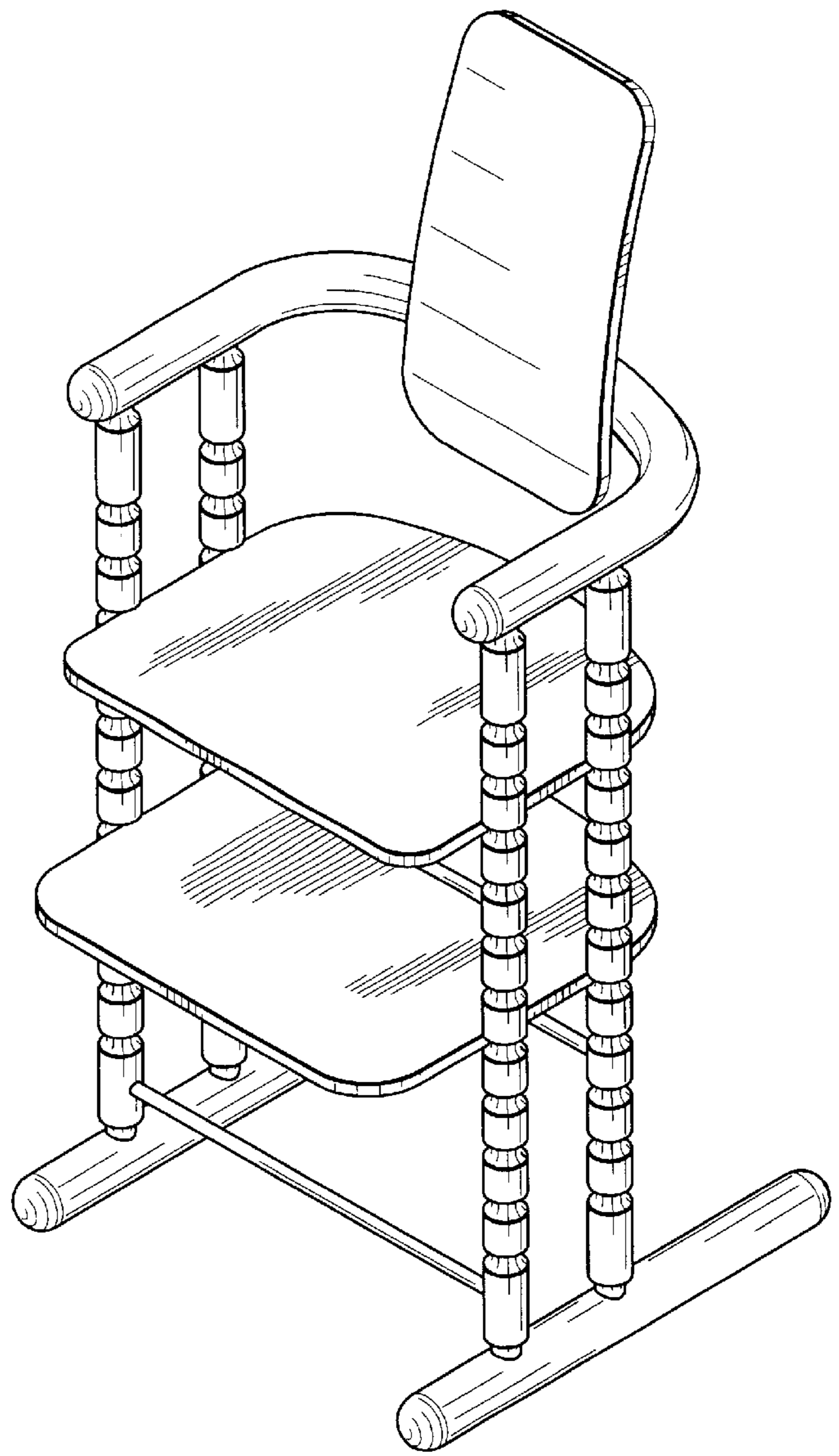


FIG. 2

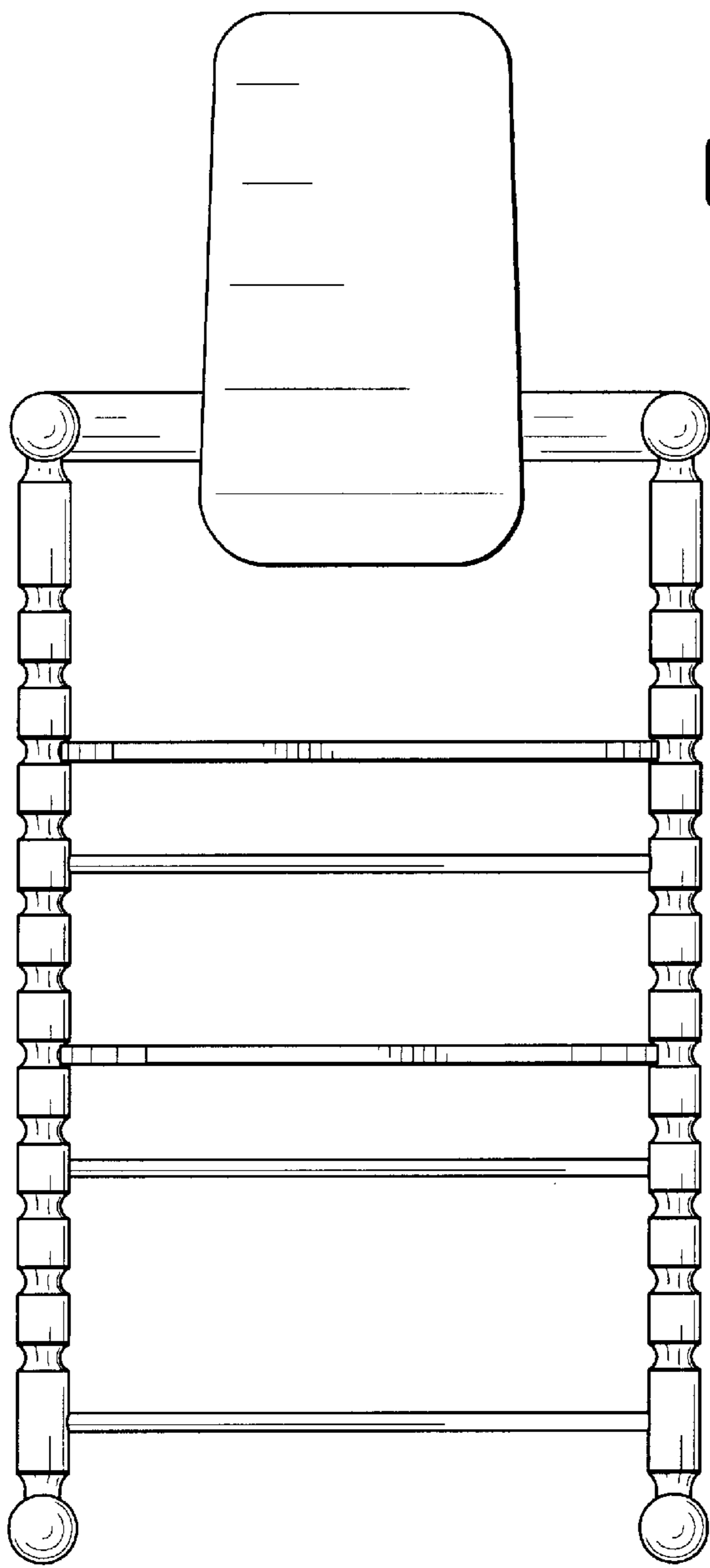


FIG. 3

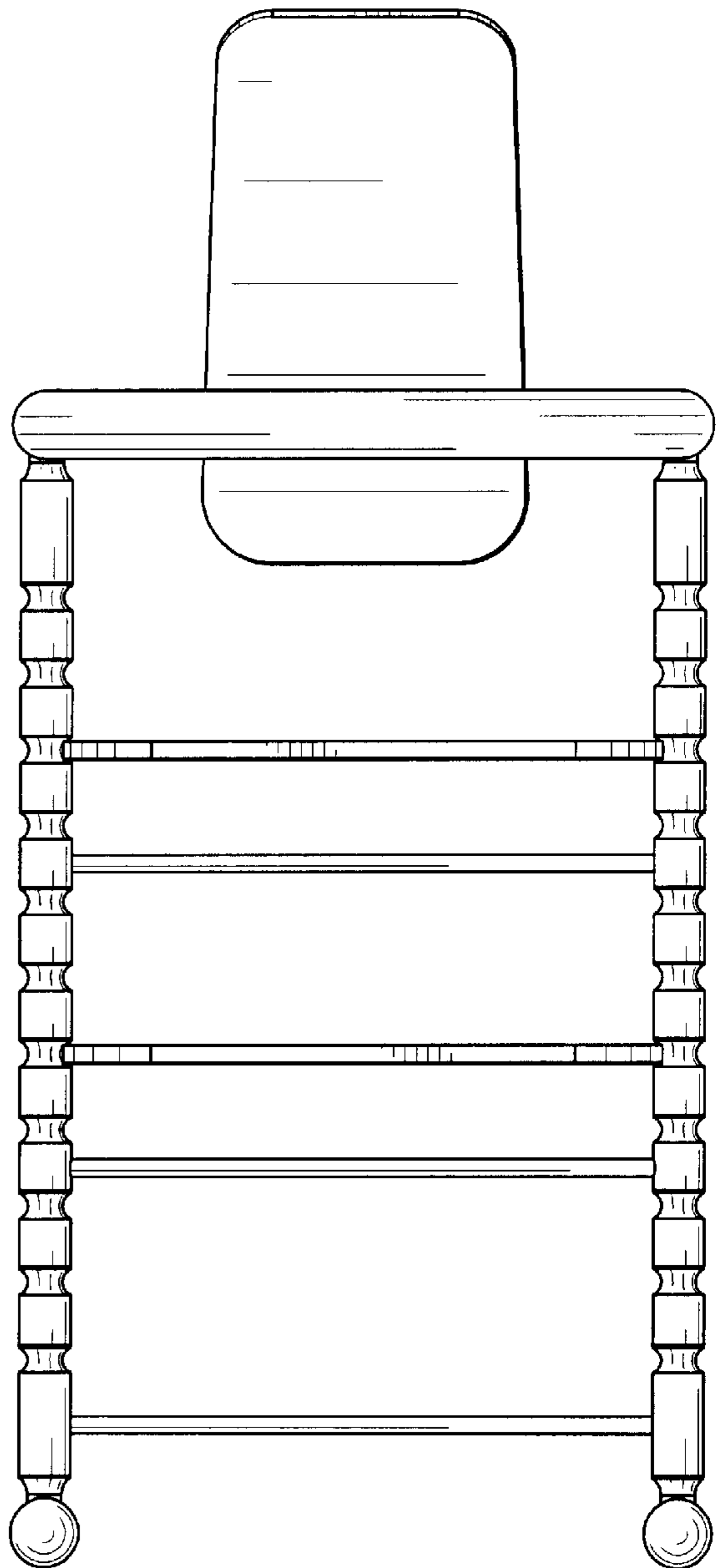


FIG. 4

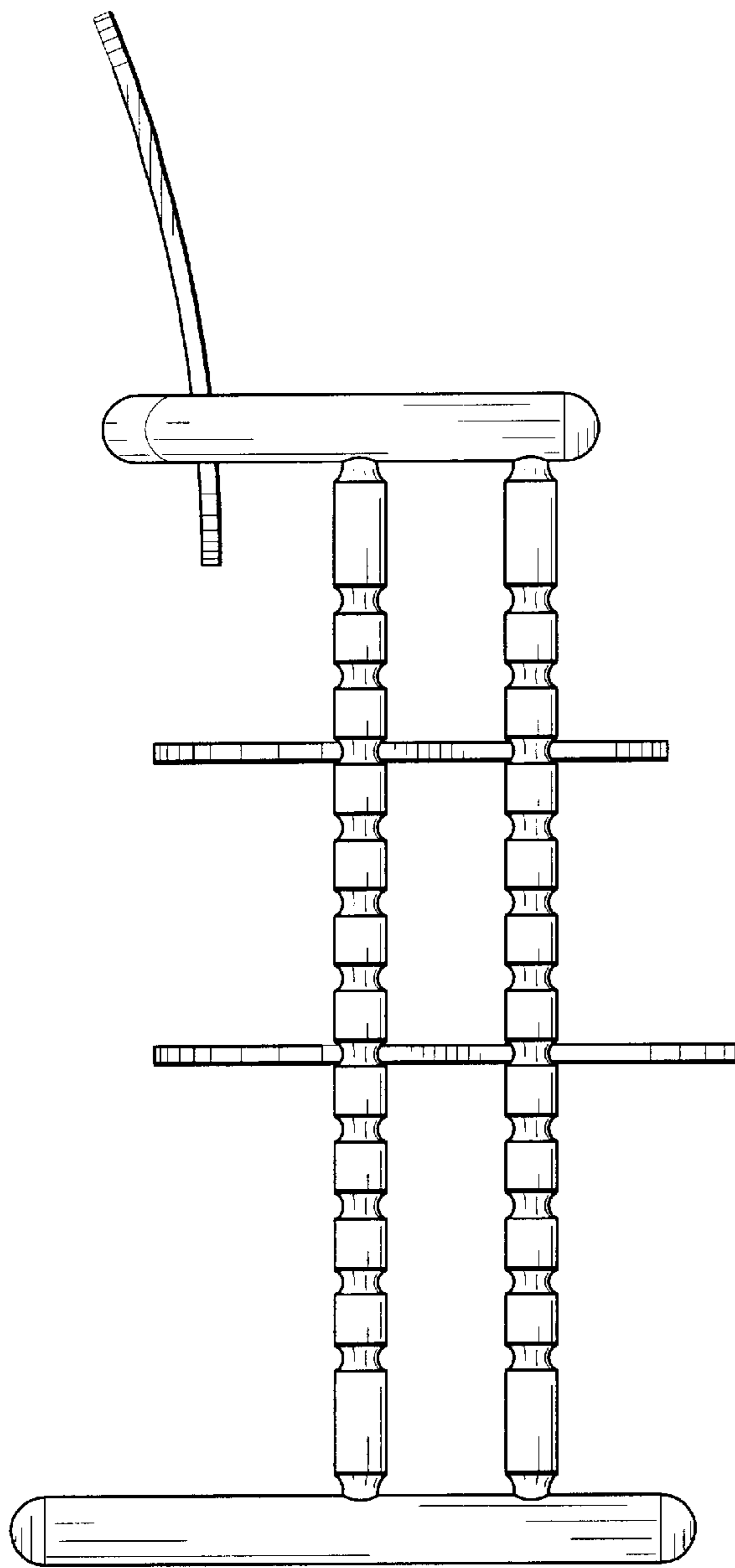


FIG. 5

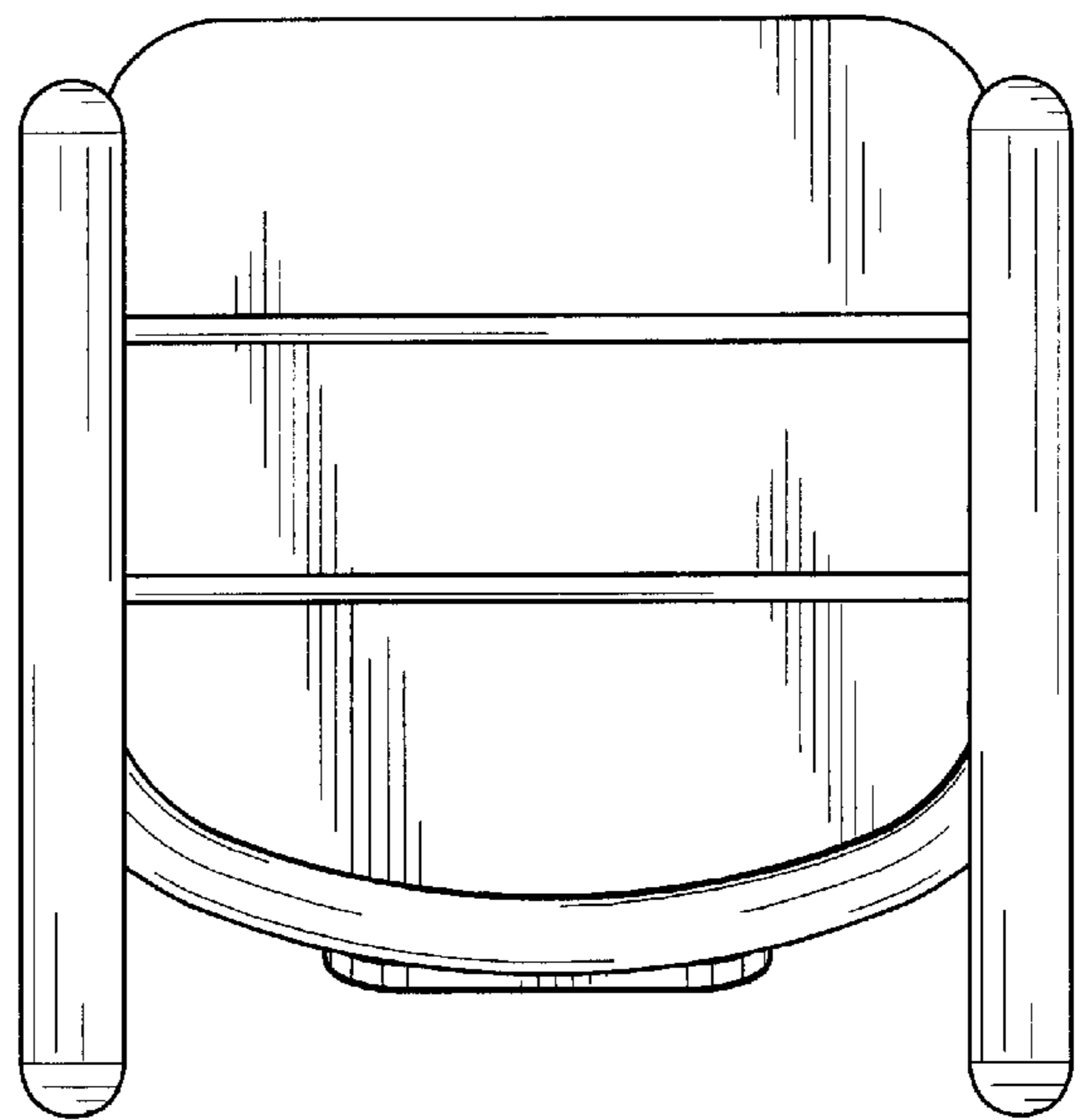


FIG. 6