



US00D460870S

(12) **United States Design Patent**
Van De Riet et al.

(10) **Patent No.:** **US D460,870 S**
(45) **Date of Patent:** **** Jul. 30, 2002**

(54) **OFFICE CHAIR**

D346,072 S * 4/1994 Zapf D6/366
D391,089 S * 2/1998 Chu D6/366
D401,453 S * 11/1998 Holt D6/502

(75) Inventors: **Douglas M. Van De Riet**, Holland;
Jeffrey R. Oberlin, Fruitport; **Jason W. Carpenter**, Wyoming, all of MI (US);
Jeff Weber, Minneapolis, MN (US);
Todd D. Krupiczewicz, Caledonia, MI (US)

* cited by examiner

Primary Examiner—Gary D. Watson
(74) *Attorney, Agent, or Firm*—Brinks Hofer Gilson & Lione

(73) Assignee: **Herman Miller, Inc.**, Zeeland, MI (US)

(**) Term: **14 Years**

(57) **CLAIM**

(21) Appl. No.: **29/146,913**

The ornamental design for an office chair, as shown and described.

(22) Filed: **Aug. 17, 2001**

DESCRIPTION

Related U.S. Application Data

(62) Division of application No. 29/123,670, filed on May 22, 2000, now Pat. No. Des. 449,172.

FIG. 1 is a perspective view of a first embodiment of a chair;
FIG. 2 is a front view of the first embodiment;
FIG. 3 is a right view of the first embodiment;
FIG. 4 is a left view of the first embodiment;
FIG. 5 is a rear view of the first embodiment;
FIG. 6 is a top view of the first embodiment; and,
FIG. 7 is a bottom view of the first embodiment.

(51) **LOC (7) Cl.** **06-01**

(52) **U.S. Cl.** **D6/366**

(58) **Field of Search** D6/334, 335, 364,
D6/365, 366, 367, 500, 501, 502; 248/188.7;
297/411.2, 411.27, 411.28

The broken lines shown are for environmental purposes only and form no part of the claimed design.

(56) **References Cited**

U.S. PATENT DOCUMENTS

D327,782 S * 7/1992 Citterio D6/366

1 Claim, 4 Drawing Sheets

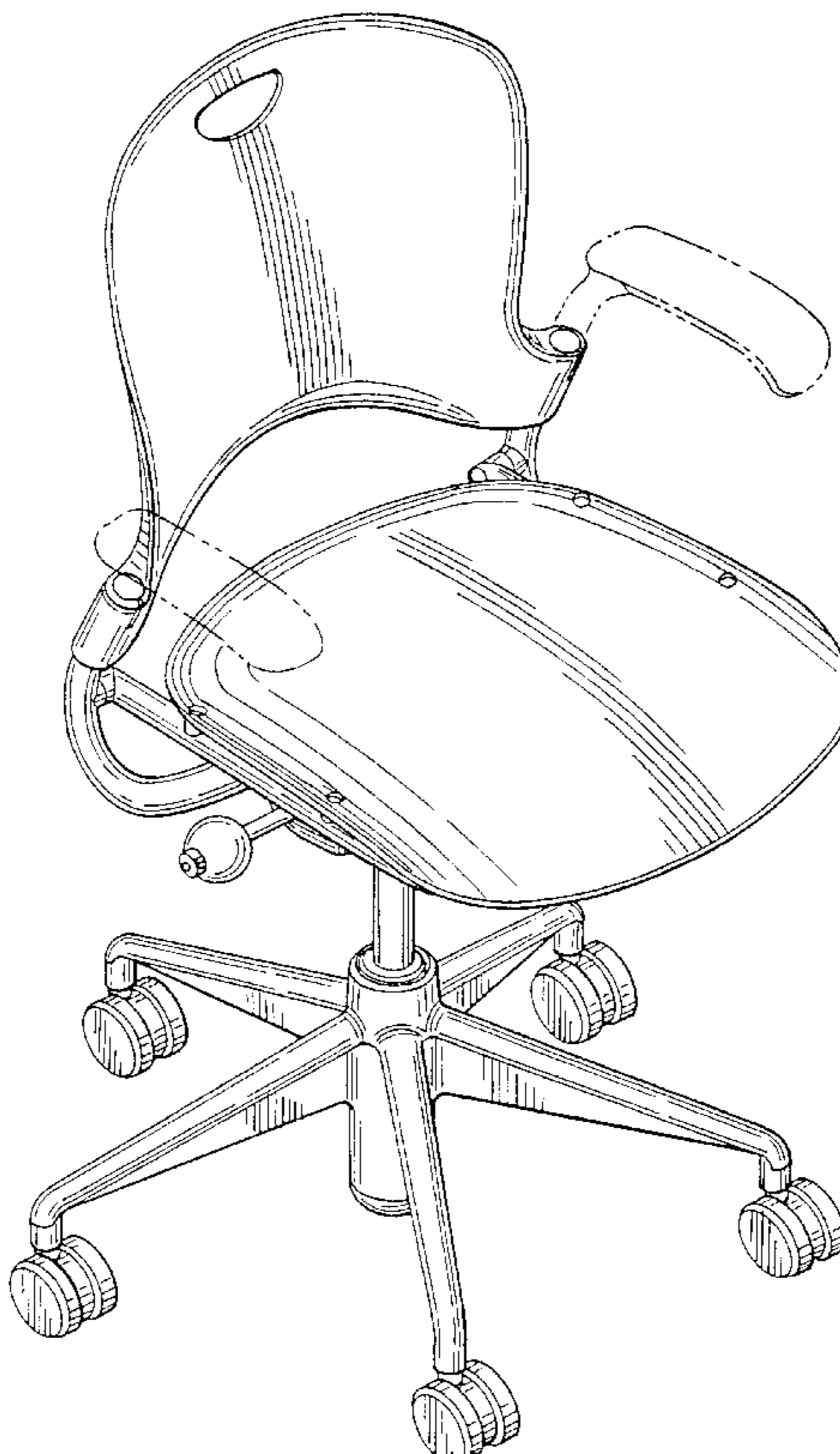
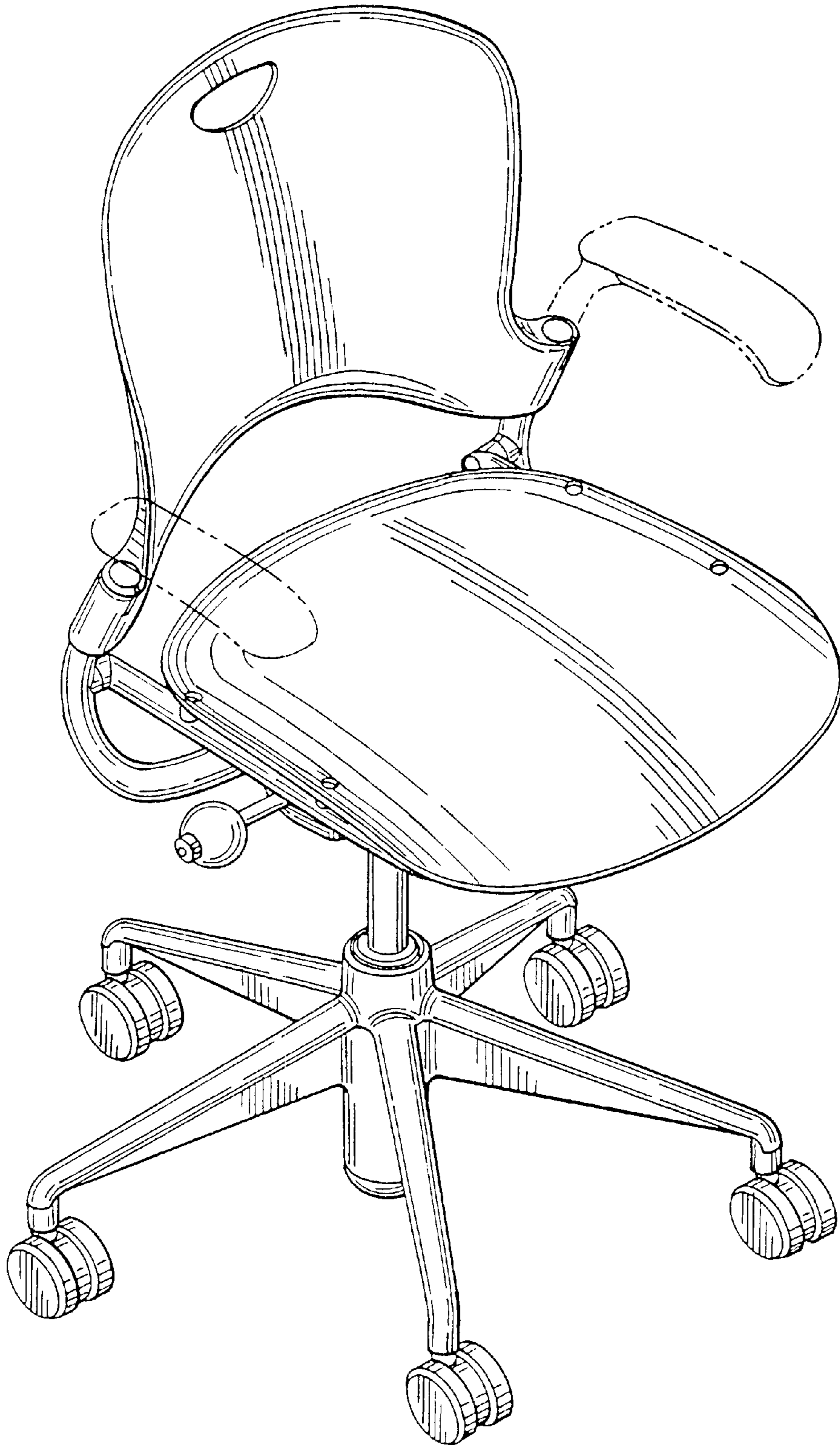


FIG. 1



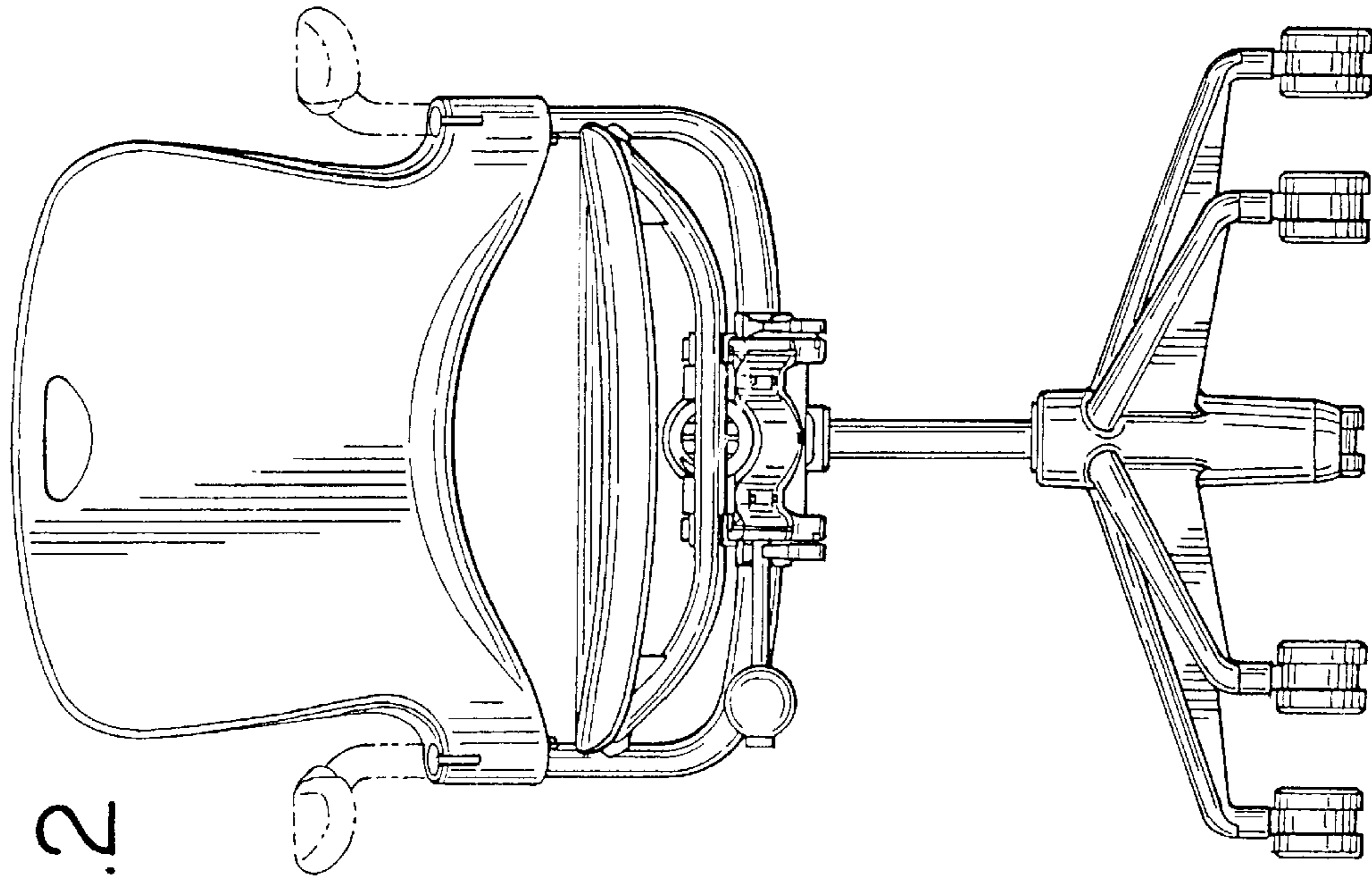


FIG. 2

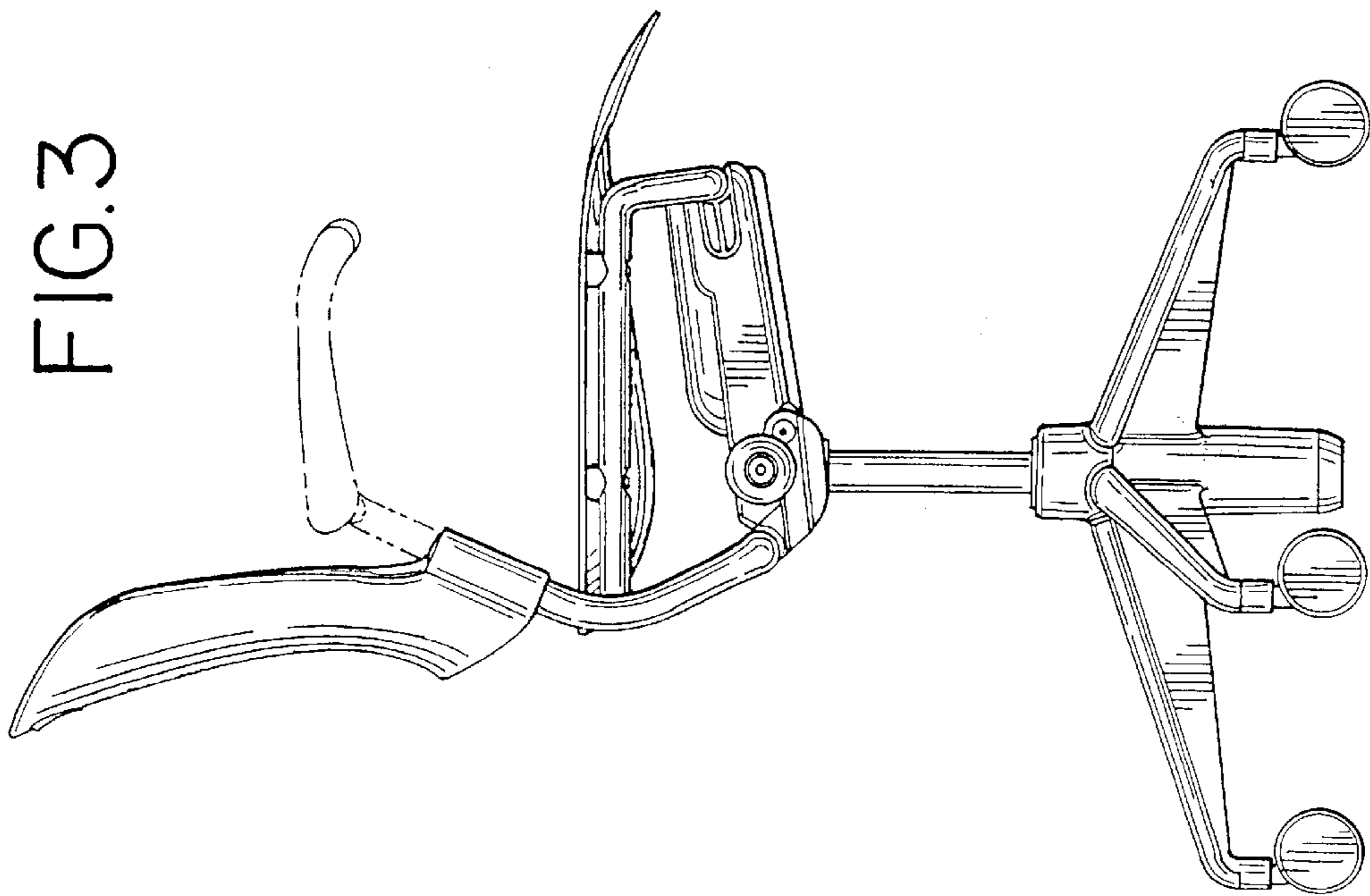


FIG. 3

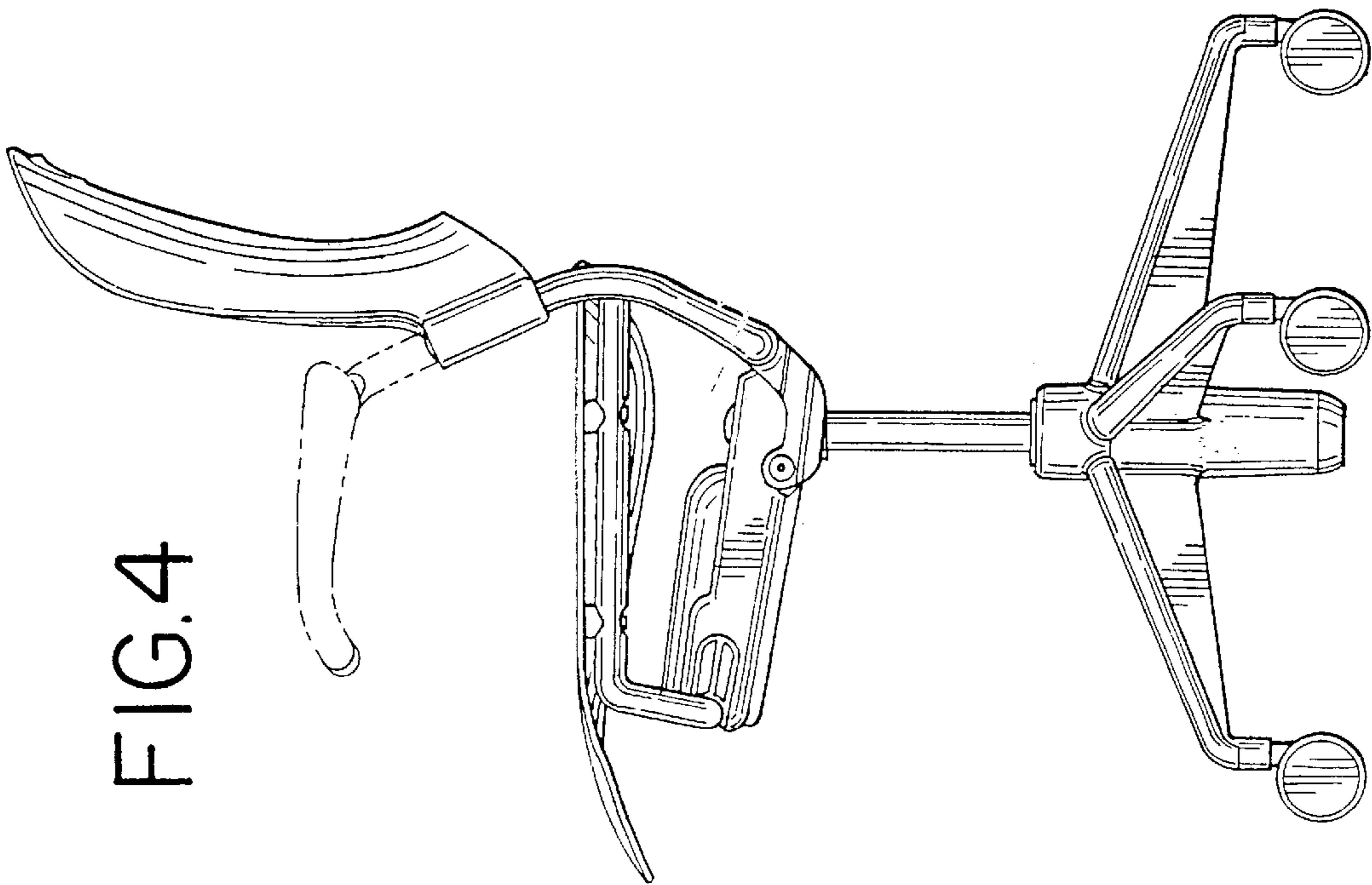


FIG.4

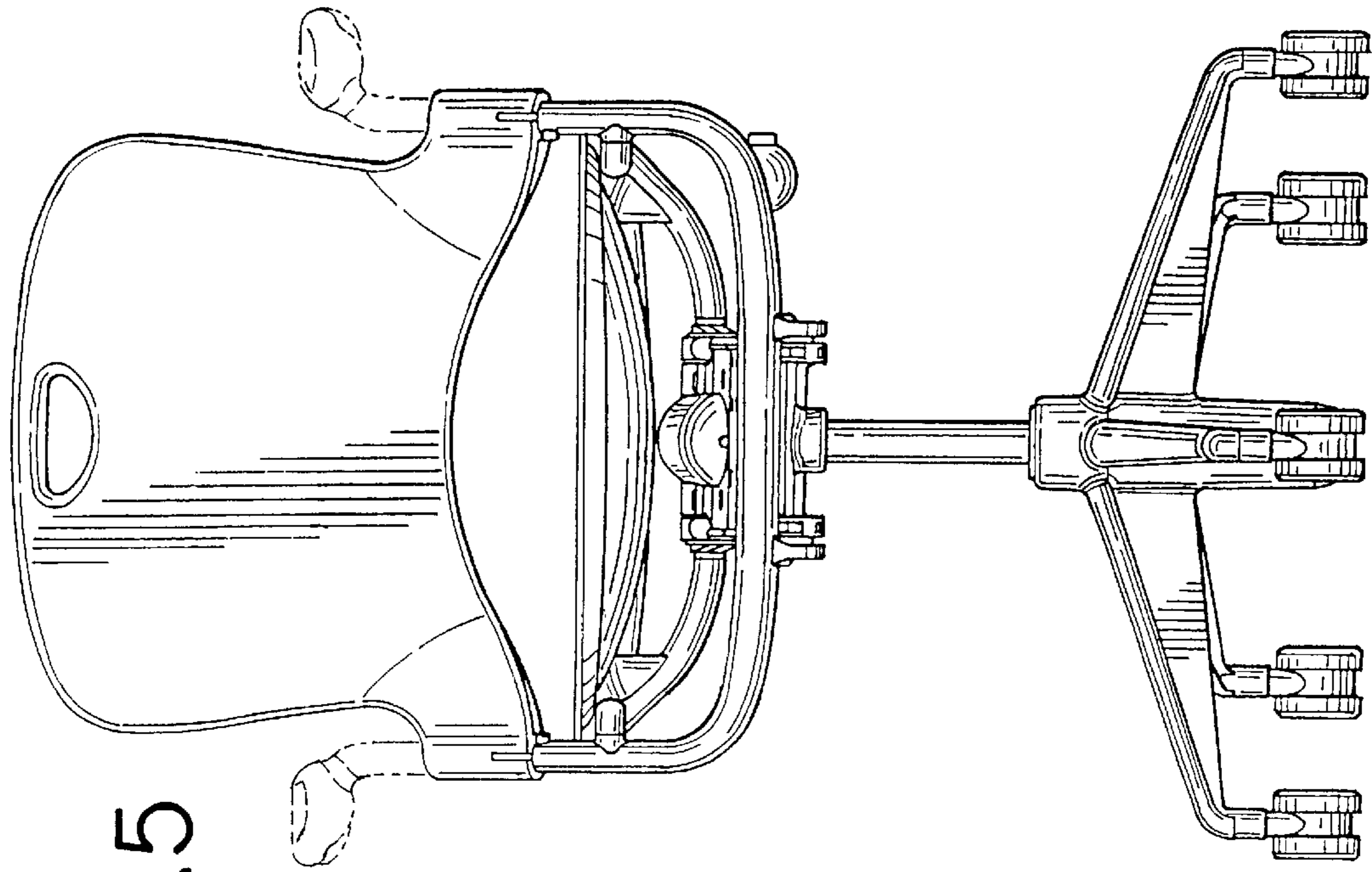


FIG.5

FIG.6

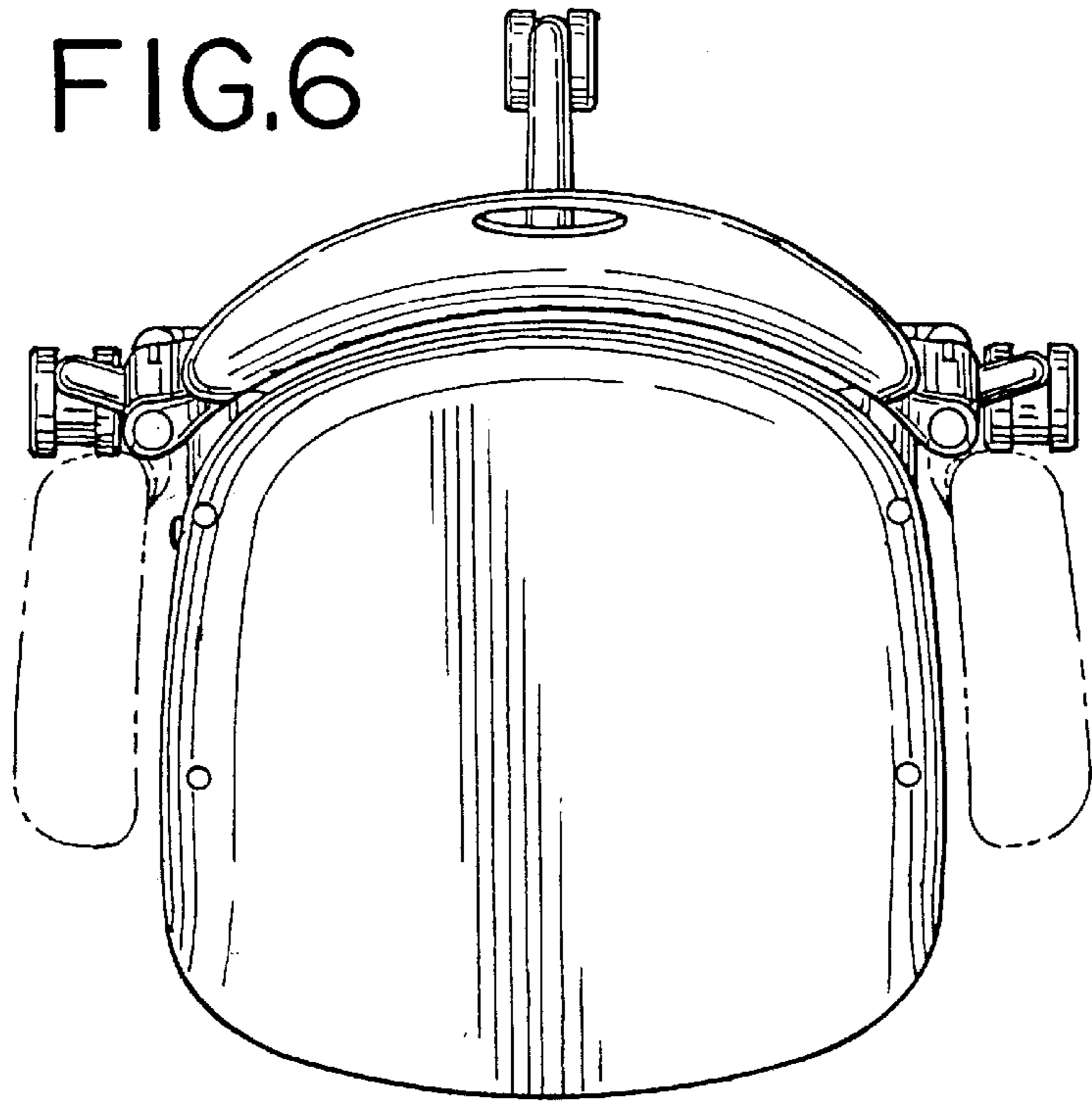
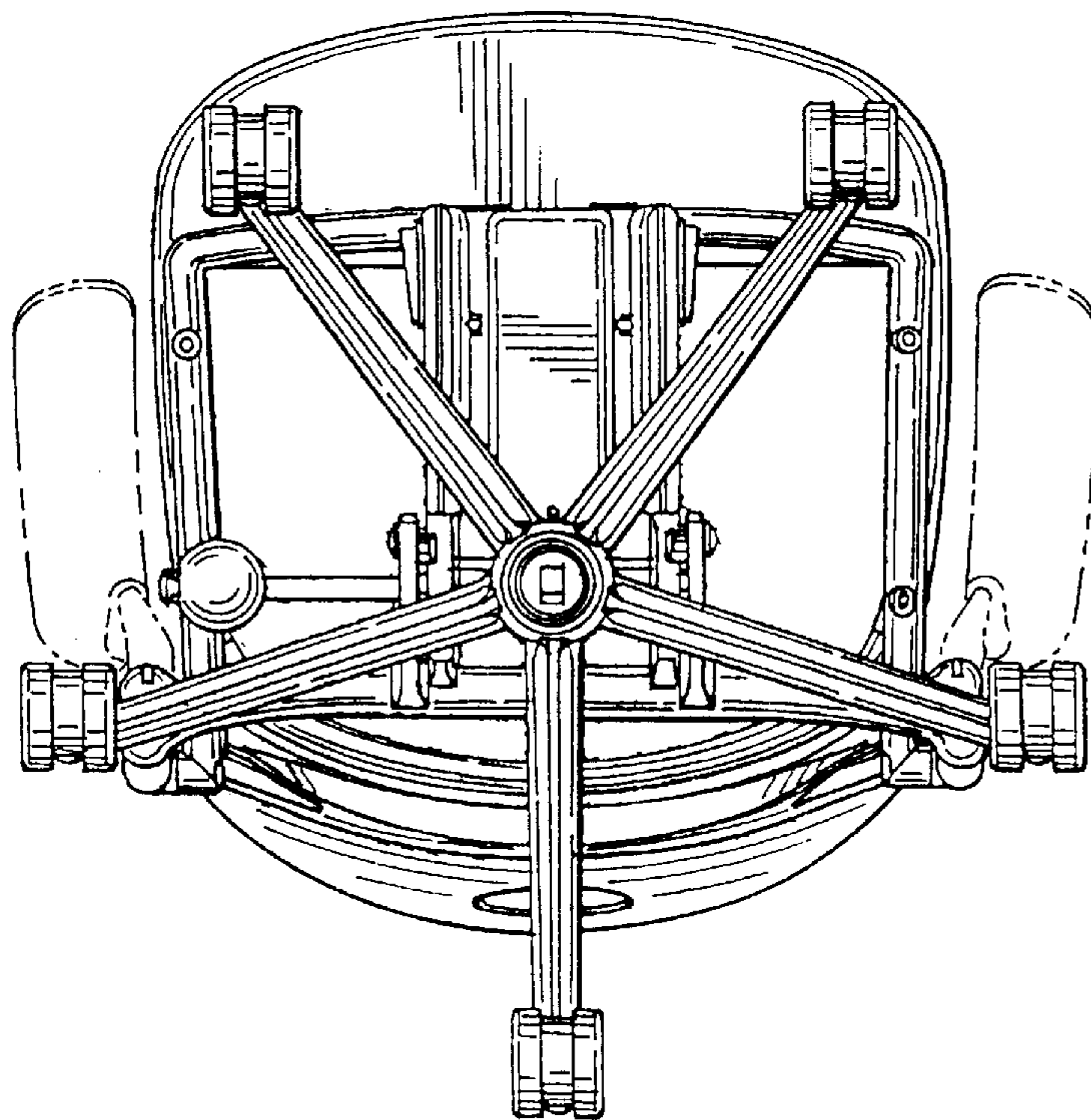


FIG.7



UNITED STATES PATENT AND TRADEMARK OFFICE
CERTIFICATE OF CORRECTION

PATENT NO. : Des. 460,870 S
DATED : July 30, 2002
INVENTOR(S) : Douglas M. Van De Riet et al.

Page 1 of 1

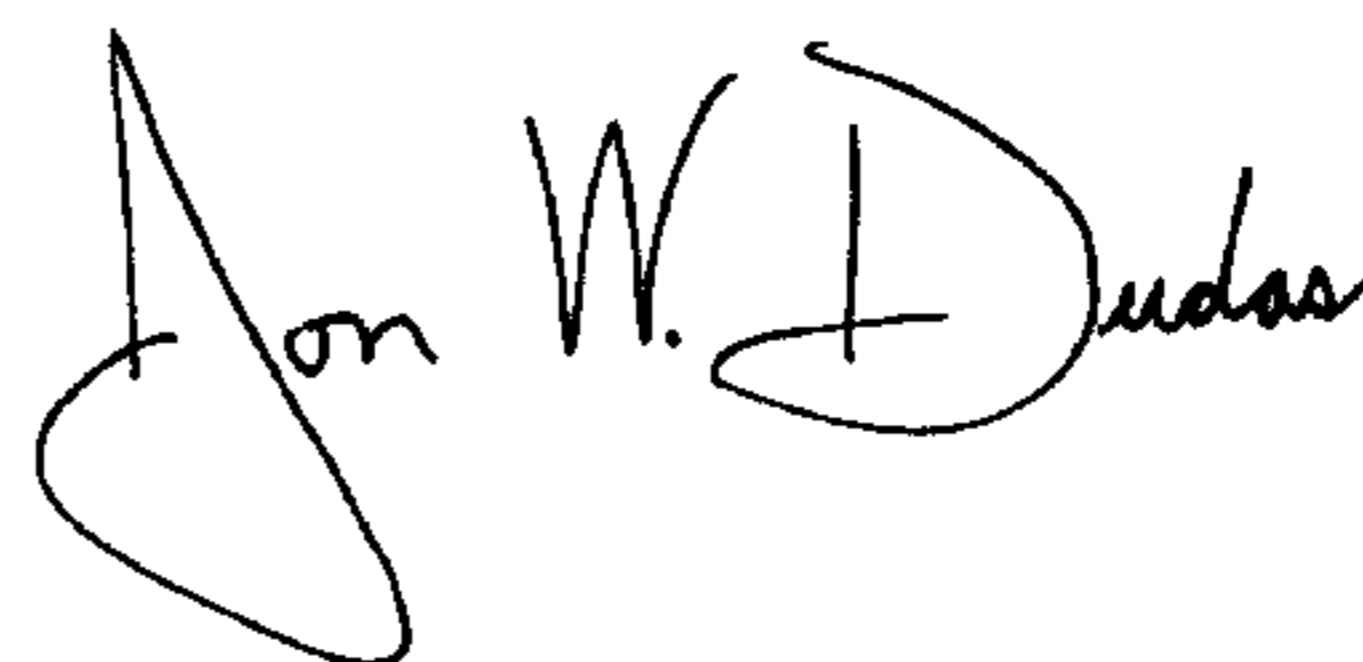
It is certified that error appears in the above-identified patent and that said Letters Patent is hereby corrected as shown below:

Title page,

Item [57], **ABSTRACT**, delete "an office chair," and substitute -- a chair, -- in its place.

Signed and Sealed this

Twenty-fourth Day of February, 2004

A handwritten signature in black ink that reads "Jon W. Dudas". The signature is written in a cursive style with a large, stylized initial "J".

JON W. DUDAS
Acting Director of the United States Patent and Trademark Office