



US00D460862S

(12) **United States Design Patent**
An

(10) **Patent No.:** **US D460,862 S**

(45) **Date of Patent:** **** Jul. 30, 2002**

(54) **LIQUID APPLICATOR**

(75) **Inventor:** **Suck Doo An**, 158-63 Annyong-Ri,
Tae-an-Ub, Hwasung-Gun, Kyungki-Do,
445-970 (KR)

(73) **Assignee:** **Suck Doo An**, Kyungki-Do (KR)

(**) **Term:** **14 Years**

(21) **Appl. No.:** **29/135,854**

(22) **Filed:** **Jan. 19, 2001**

(30) **Foreign Application Priority Data**

Jul. 20, 2000 (KR) 2000-41718

(51) **LOC (7) Cl.** **04-02**

(52) **U.S. Cl.** **D4/116; D4/127**

(58) **Field of Search** D4/114, 116, 121,
D4/127, 135; D9/338, 436, 447, 453; D28/56,
62, 7; 15/167.3, 191.1, 192, 193, 195; 132/73,
73.5, 75, 75.3, 313, 317; 215/228, 231;
401/16, 18, 118, 123, 126-127, 129-130

(56) **References Cited**

U.S. PATENT DOCUMENTS

- 1,856,854 A * 5/1932 Schwanhäusser 132/75.3
- D100,561 S * 7/1936 Henske D9/436
- D171,432 S * 2/1954 Bernabo D9/447
- 3,124,280 A * 3/1964 Stull D9/447 X
- 3,885,578 A * 5/1975 Hicks 132/73
- D327,016 S * 6/1992 Leuenberger D9/447

- D363,375 S * 10/1995 Arntsen D4/116
- 5,746,529 A * 5/1998 Peters et al. 401/18
- 6,065,477 A 5/2000 An 132/73
- D426,068 S 6/2000 An D4/116

OTHER PUBLICATIONS

U.S. patent application Ser. No. 29/125,309, An, filed Jun. 21, 2000.

* cited by examiner

Primary Examiner—Alan P. Douglas

Assistant Examiner—Lavone Tabor

(74) *Attorney, Agent, or Firm*—Vidas, Arrett & Steinkraus, P.A.

(57) **CLAIM**

The ornamental design for a liquid applicator, as shown and described.

DESCRIPTION

FIG. 1 is a perspective view of this design.
 FIG. 2 is a front view of this design.
 FIG. 3 is a top plan view of this design.
 FIG. 4 is a bottom plan view of this design.
 FIG. 5 is a sectional view of this design taken along line A—A of FIG. 2.
 FIG. 6 is an exploded view of FIG. 1; and,
 FIG. 7 is an environmental perspective view of FIG. 1 with the broken lines being for illustrative purposes only and forming no part of the claimed design.

1 Claim, 6 Drawing Sheets



FIG. 1

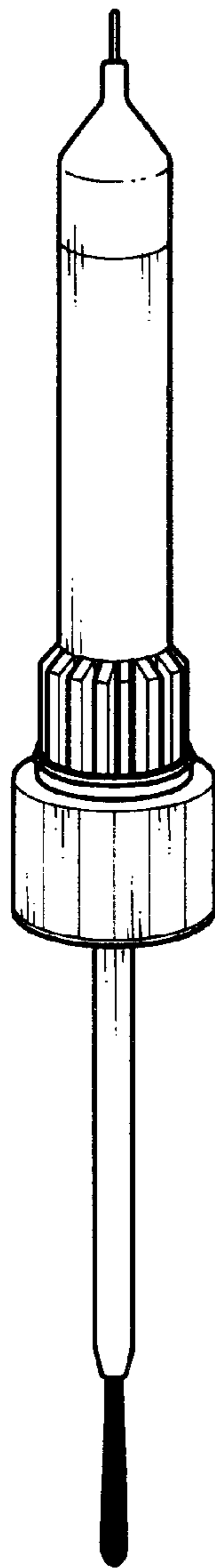


FIG. 2

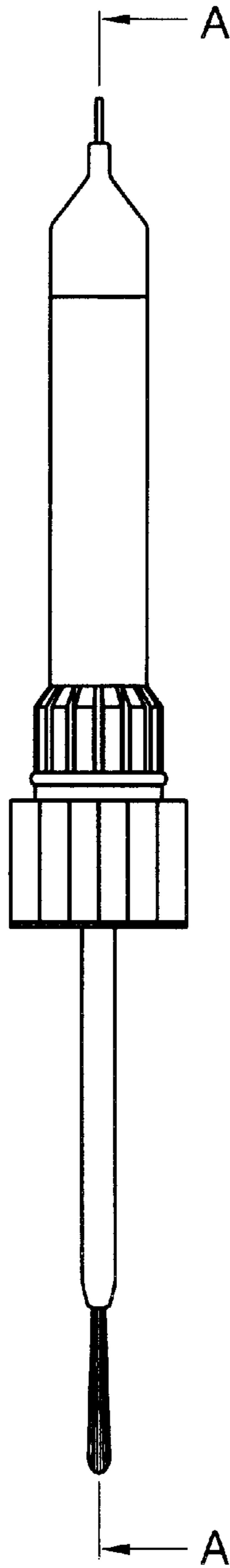


FIG. 3

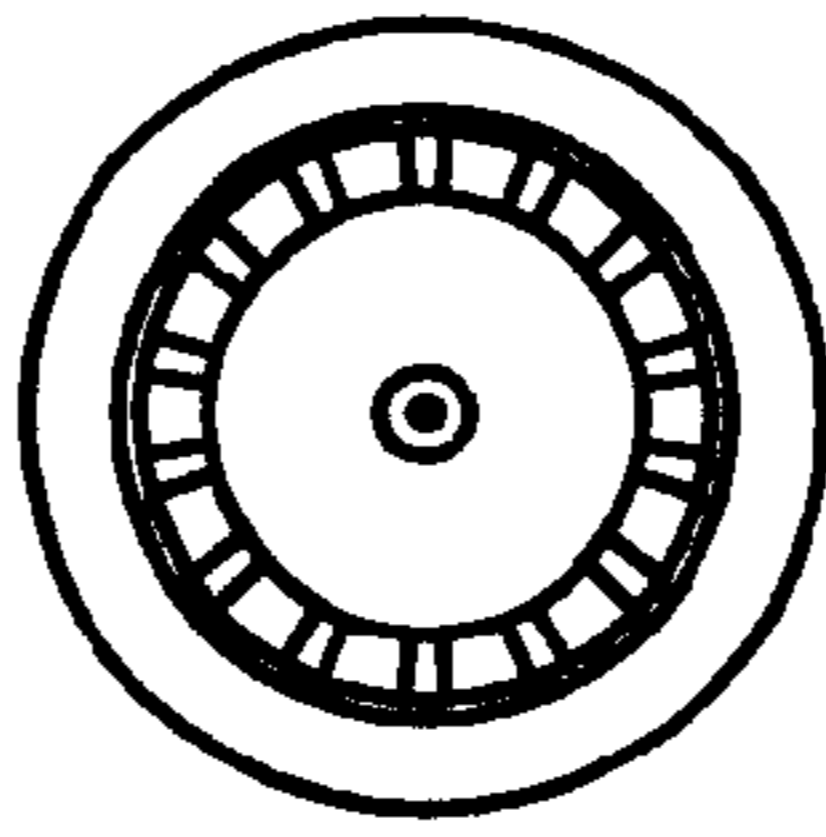


FIG. 4

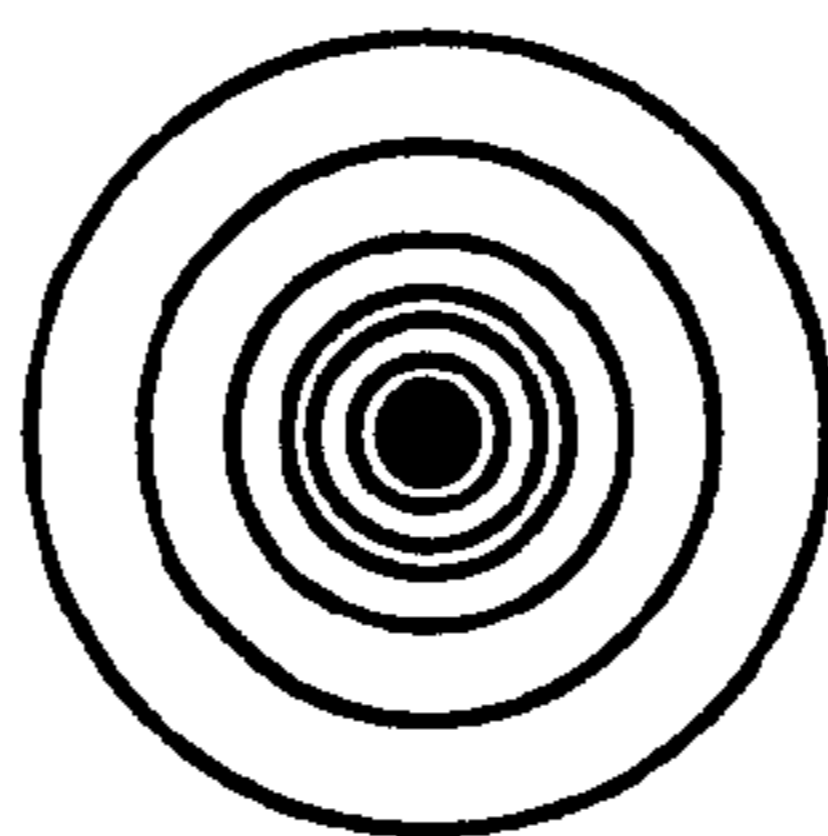


FIG. 5

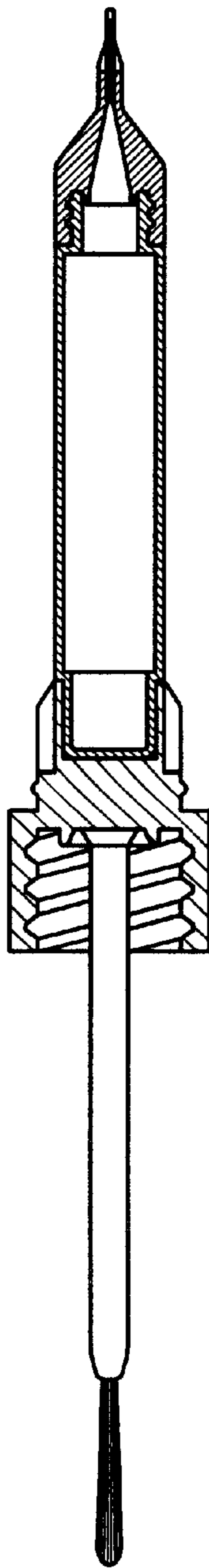


FIG. 6

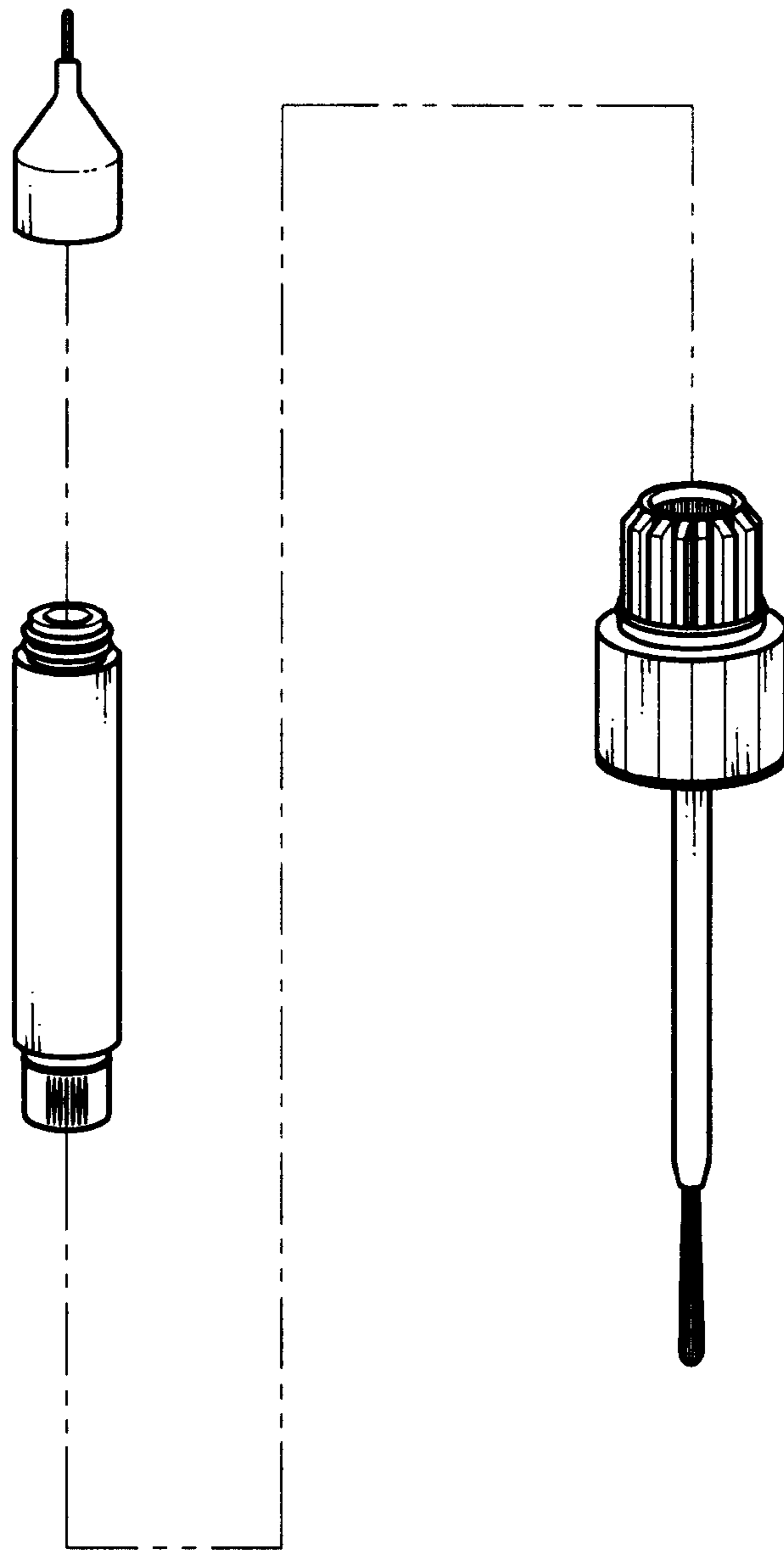


FIG. 7

