



US00D460859S

(12) **United States Design Patent**
Tipton

(10) **Patent No.:** **US D460,859 S**

(45) **Date of Patent:** **** Jul. 30, 2002**

(54) **TACKLE BOX WITH POLE HOLDER**

5,938,023 A * 8/1999 Herron et al. 206/315.11

(76) Inventor: **Ronald J. Tipton**, 740 NW. 228th St., Hillsboro, OR (US) 97124

* cited by examiner

Primary Examiner—Catherine R. Oliver

(**) Term: **14 Years**

(57) **CLAIM**

(21) Appl. No.: **29/152,309**

The ornamental design for a tackle box with pole holder, as shown and described.

(22) Filed: **Dec. 13, 2001**

DESCRIPTION

(51) **LOC (7) Cl.** **03-01**

(52) **U.S. Cl.** **D3/260; D3/905**

(58) **Field of Search** D3/260, 273, 904, D3/905; 43/21.2, 25.2, 26, 54.1; 224/920, 922; 206/315.11

FIG. 1 is a front elevational view of a tackle box with pole holder showing my new design; FIG. 2 is a rear elevational view thereof; FIG. 3 is a side view, taken from the left side of FIG. 1; FIG. 4 is a side view, taken from the right side of FIG. 1; FIG. 5 is a top plan view thereof; FIG. 6 is a bottom plan view thereof; and, FIG. 7 is a top perspective view of a tackle box with pole holder in use.

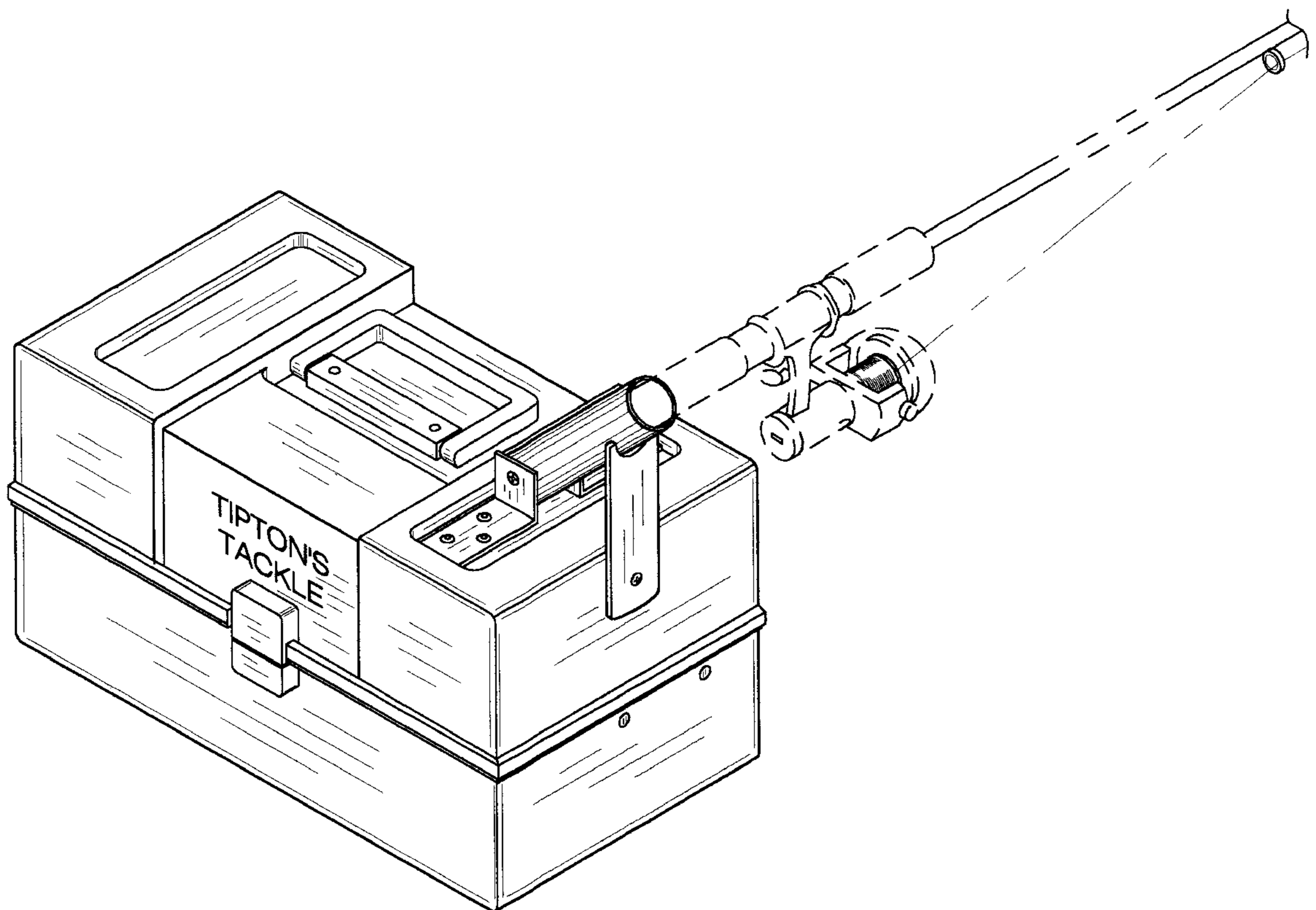
(56) **References Cited**

U.S. PATENT DOCUMENTS

2,823,971 A	*	2/1958	Hoyt	43/21.2
D246,071 S	*	10/1977	Landell et al.	D3/260
D246,548 S	*	11/1977	Uyeda	D3/260
4,841,660 A	*	6/1989	James	43/21.2
5,209,009 A	*	5/1993	Fast	43/54.1
5,331,761 A	*	7/1994	Kuthy	43/21.2

The broken line showing a fishing rod and reel in FIG. 7 is for illustrative purposes only and forms no part of the claimed design.

1 Claim, 4 Drawing Sheets



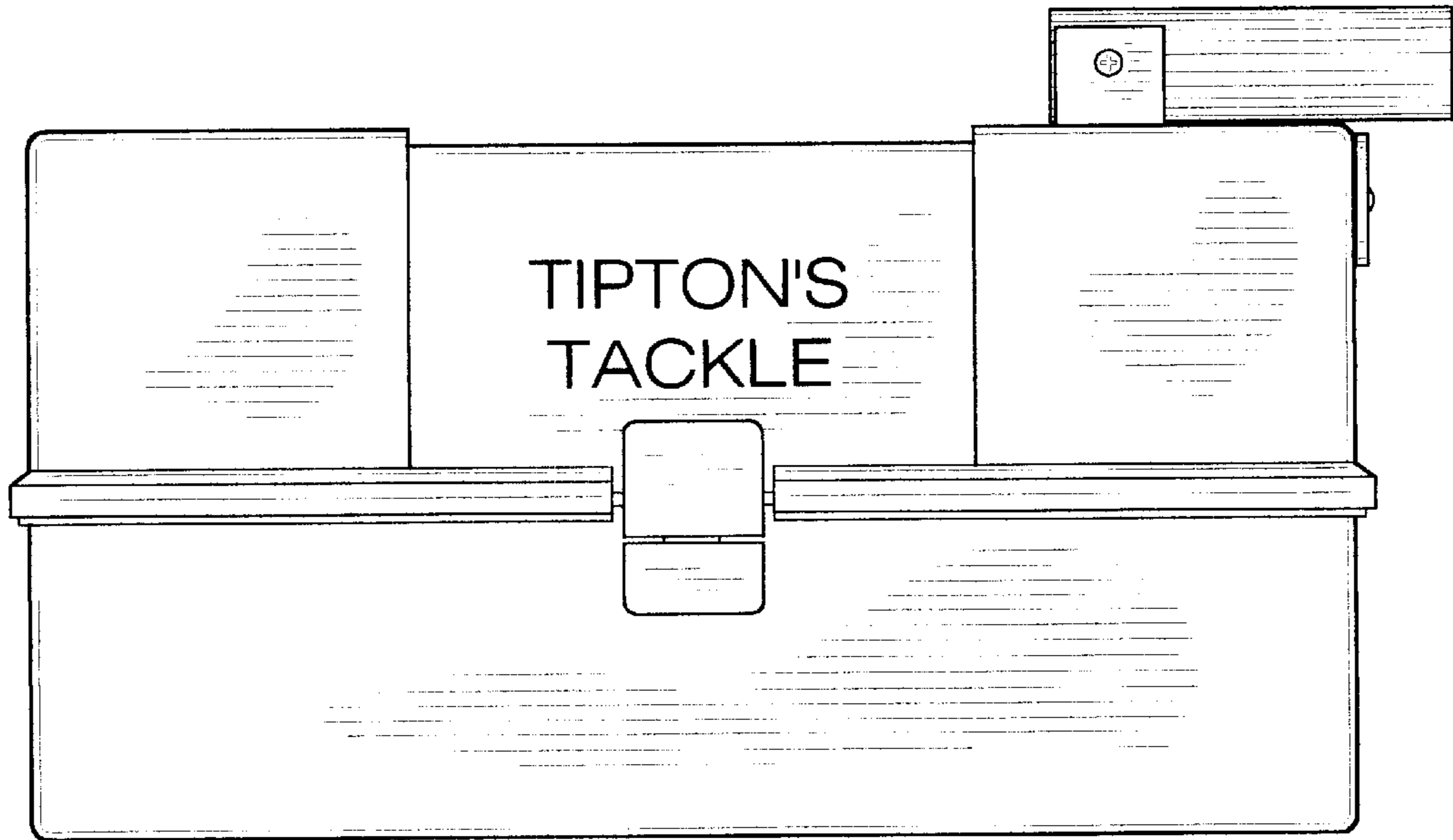


FIG. 1

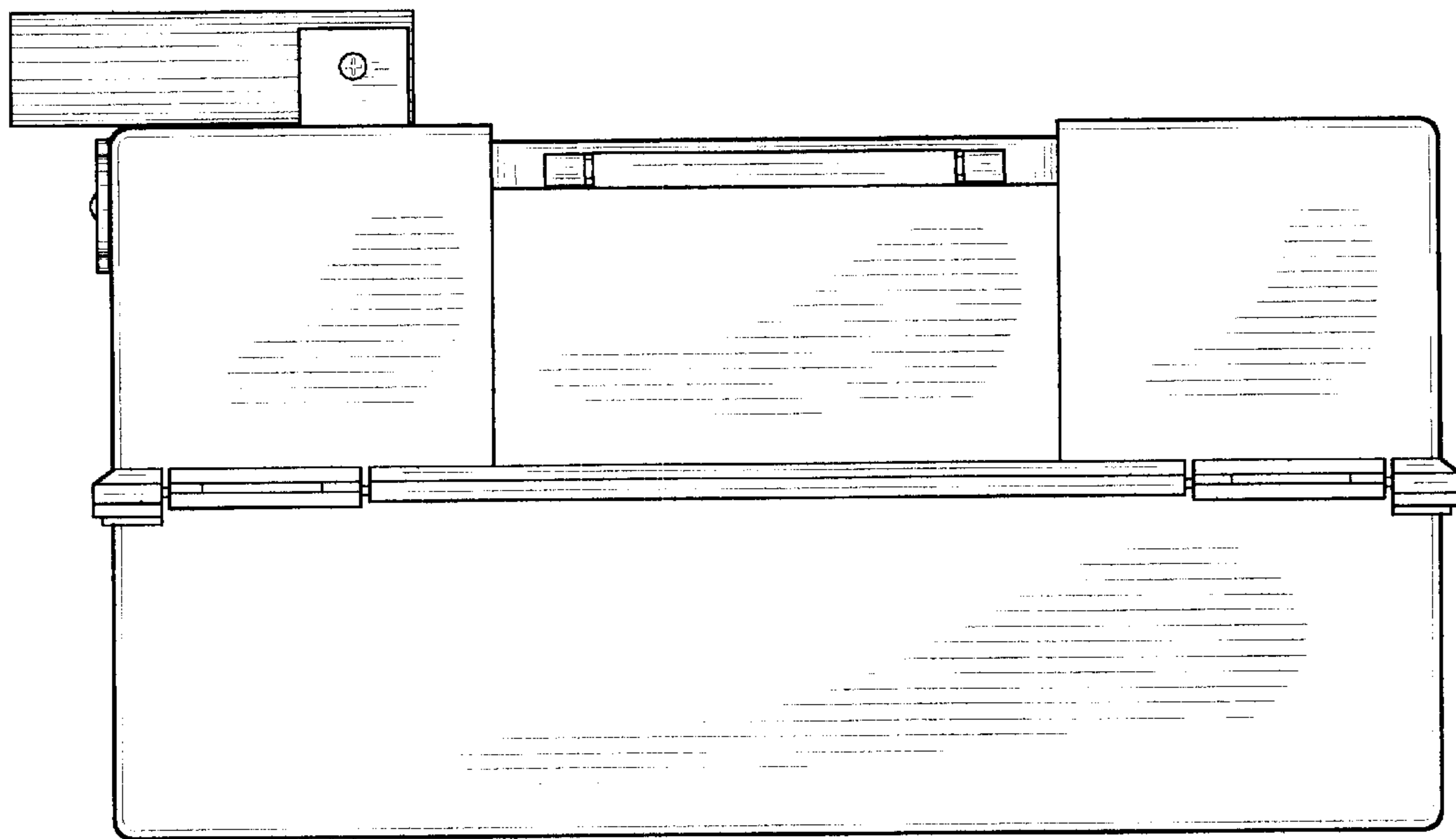


FIG. 2

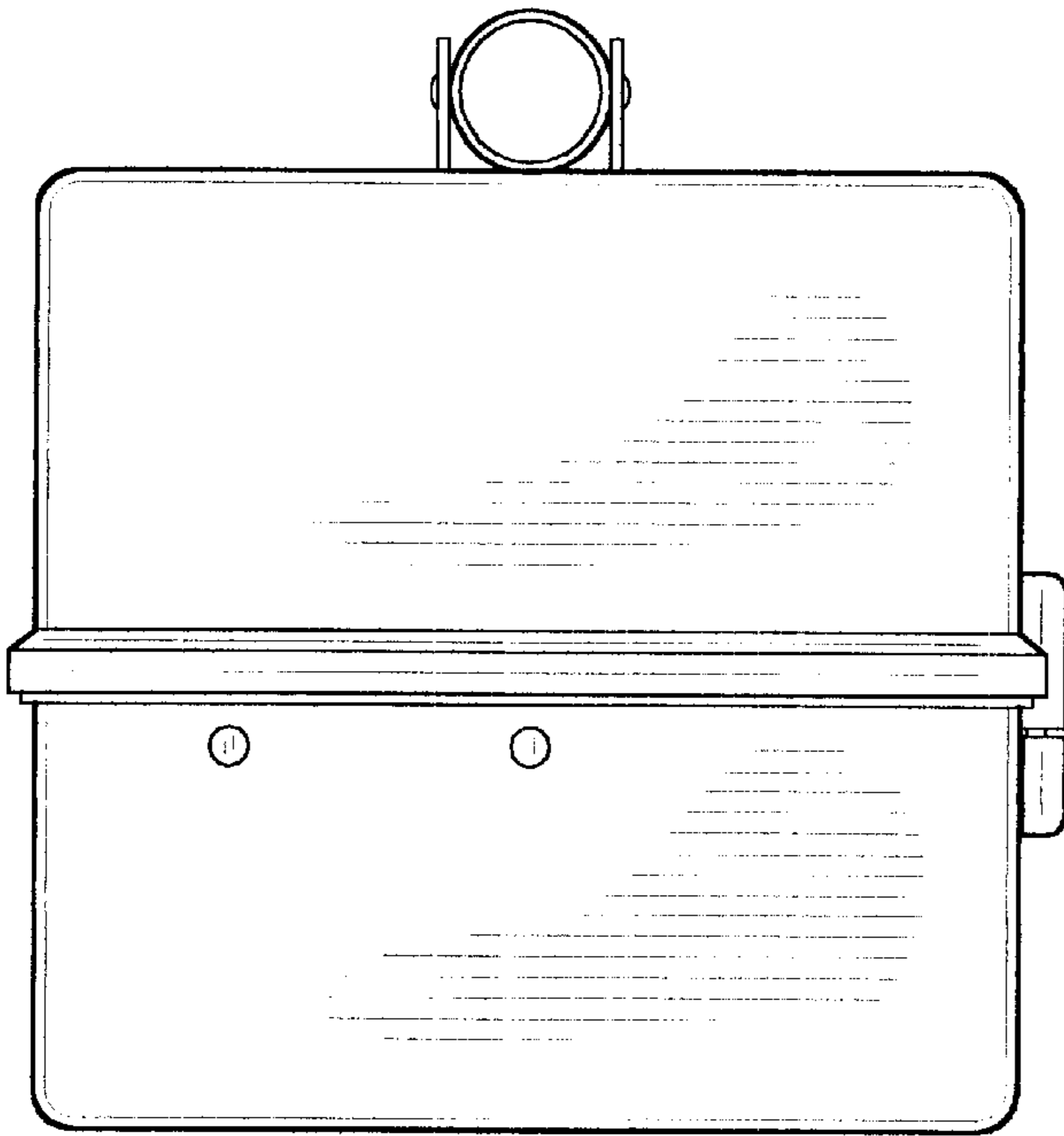


FIG. 3

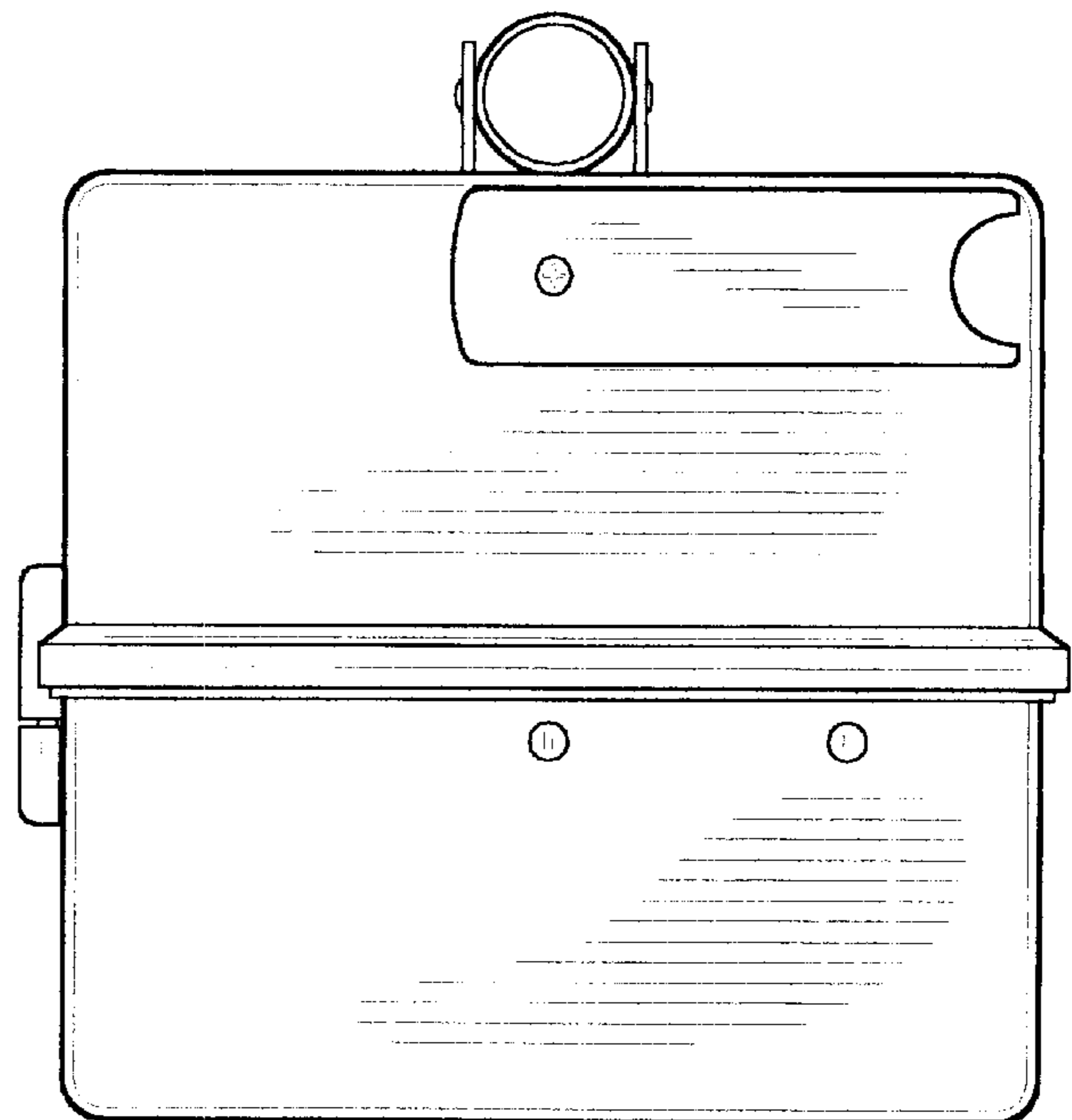


FIG. 4

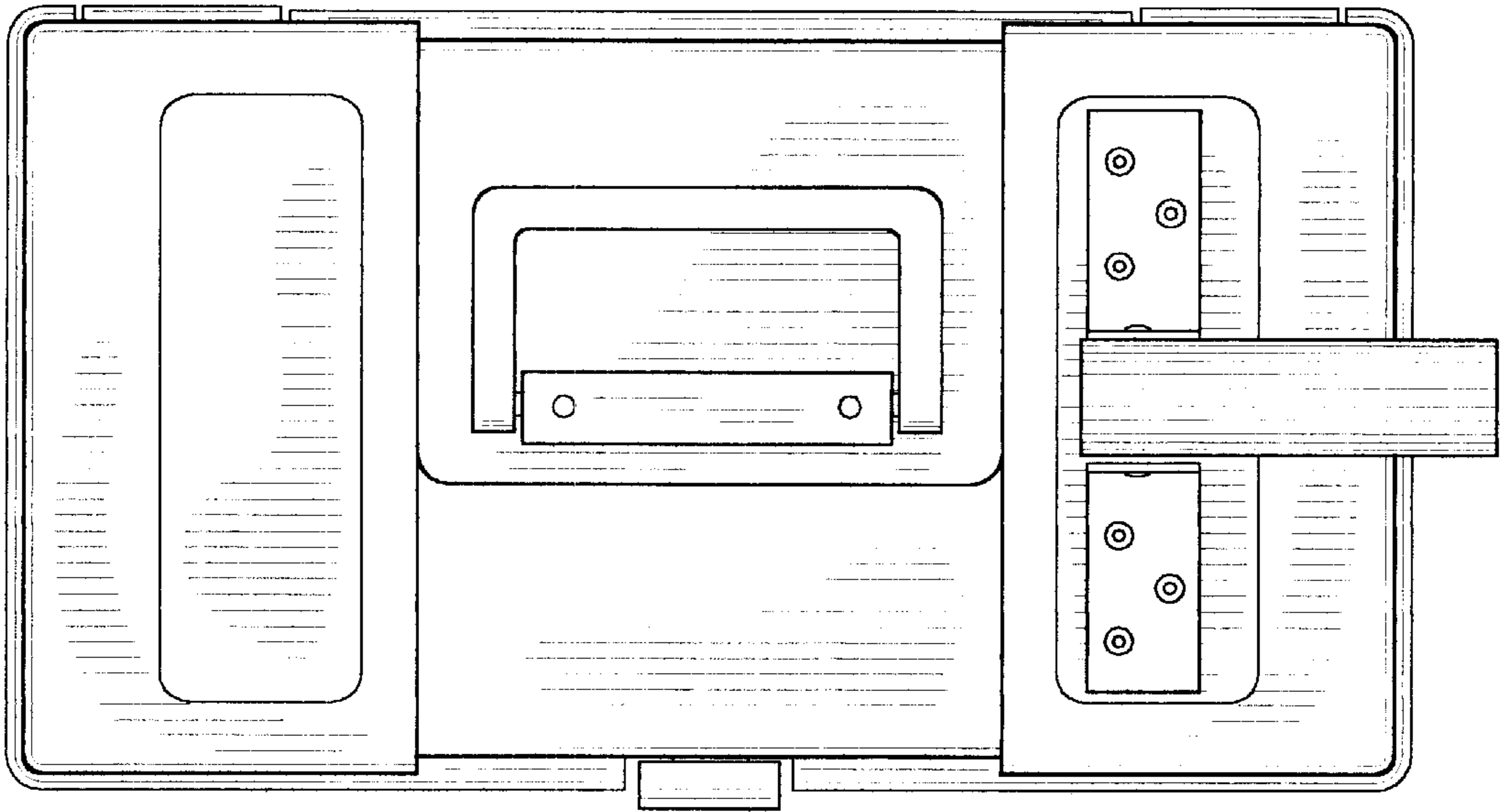


FIG. 5

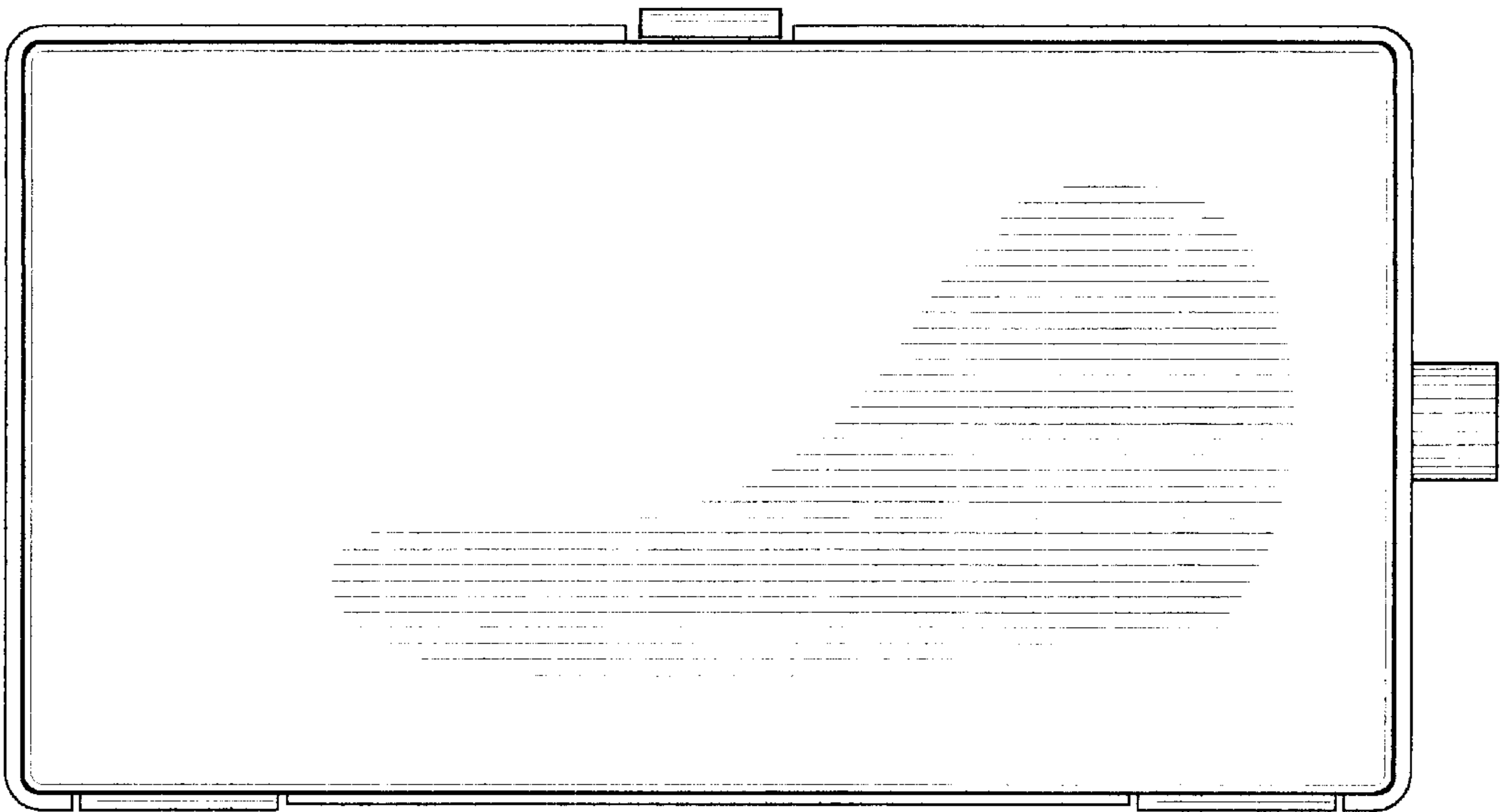


FIG. 6

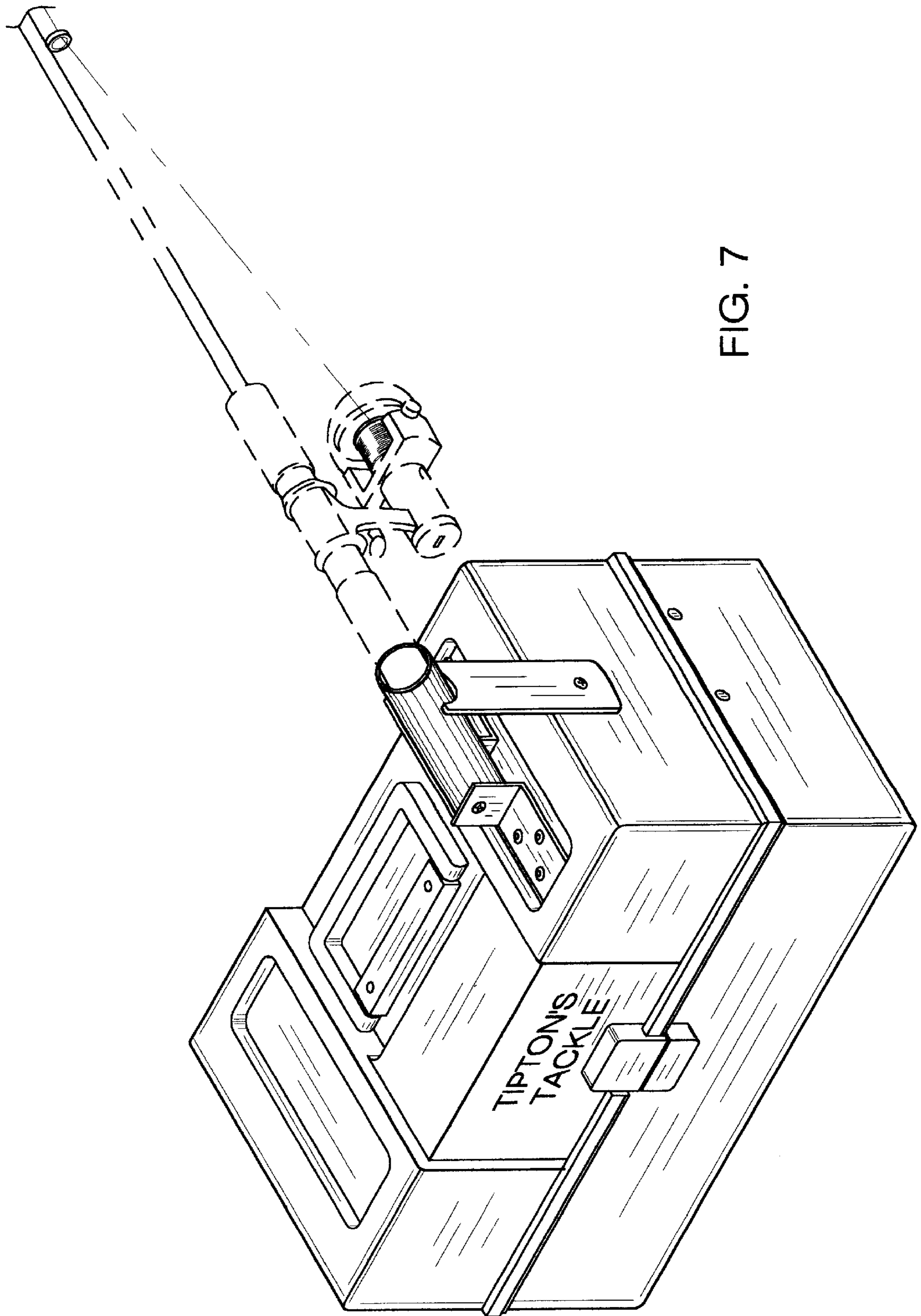


FIG. 7