



US00D460854S

(12) **United States Design Patent**
Hung

(10) **Patent No.:** **US D460,854 S**

(45) **Date of Patent:** **** Jul. 30, 2002**

(54) **INSERT FOR AN AIRBAG FOR SHOES**

D386,289 S * 11/1997 Passke et al. D2/961
D389,296 S * 1/1998 Sessa D2/961

(75) Inventor: **Hun-Fa Hung**, Taichung (TW)

* cited by examiner

(73) Assignee: **Chinook Trading Company**, Tigard,
OR (US)

Primary Examiner—Dominic Simone
(74) *Attorney, Agent, or Firm*—Chernoff, Vilhauer,
McClung & Stenzel, LLP

(**) Term: **14 Years**

(57) **CLAIM**

(21) Appl. No.: **29/149,621**

The ornamental design for an insert for an airbag for shoes,
as shown and described.

(22) Filed: **Oct. 11, 2001**

(51) **LOC (7) Cl.** **02-99**

DESCRIPTION

(52) **U.S. Cl.** **D2/961; D2/946**

(58) **Field of Search** D2/946, 961; 36/43,
36/44, 71, 76, 147, 153, 154, 178, 181

FIG. 1 is a foreshortened perspective view, looking from the
top, of an insert for an air bag for shoes showing any new
design;

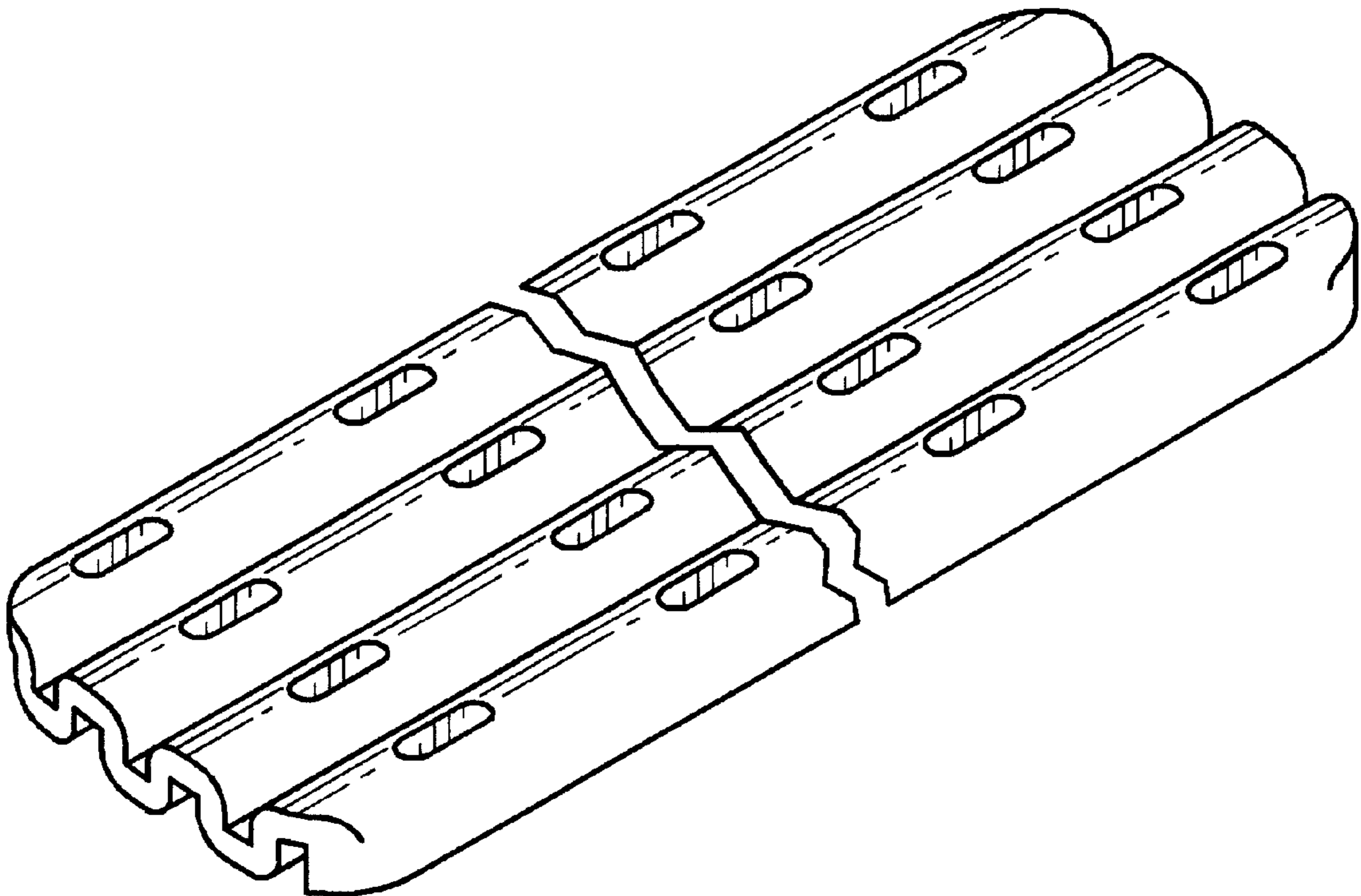
(56) **References Cited**

FIG. 2 is a foreshortened top plan view thereof;
FIG. 3 is a foreshortened first side elevational view thereof,
the opposite side elevational view being identical thereto;
FIG. 4 is a first end elevational view thereof, the opposite
end elevational view being identical thereto; and,
FIG. 5 is a foreshortened bottom plan view thereof.

U.S. PATENT DOCUMENTS

- D340,350 S * 10/1993 Kilgore et al. D2/961
- D363,816 S * 11/1995 Sarkinen et al. D2/961
- D374,761 S * 10/1996 Sell, Jr. D2/961
- D377,559 S * 1/1997 Passke et al. D2/961
- D385,394 S * 10/1997 Passke et al. D2/961

1 Claim, 1 Drawing Sheet



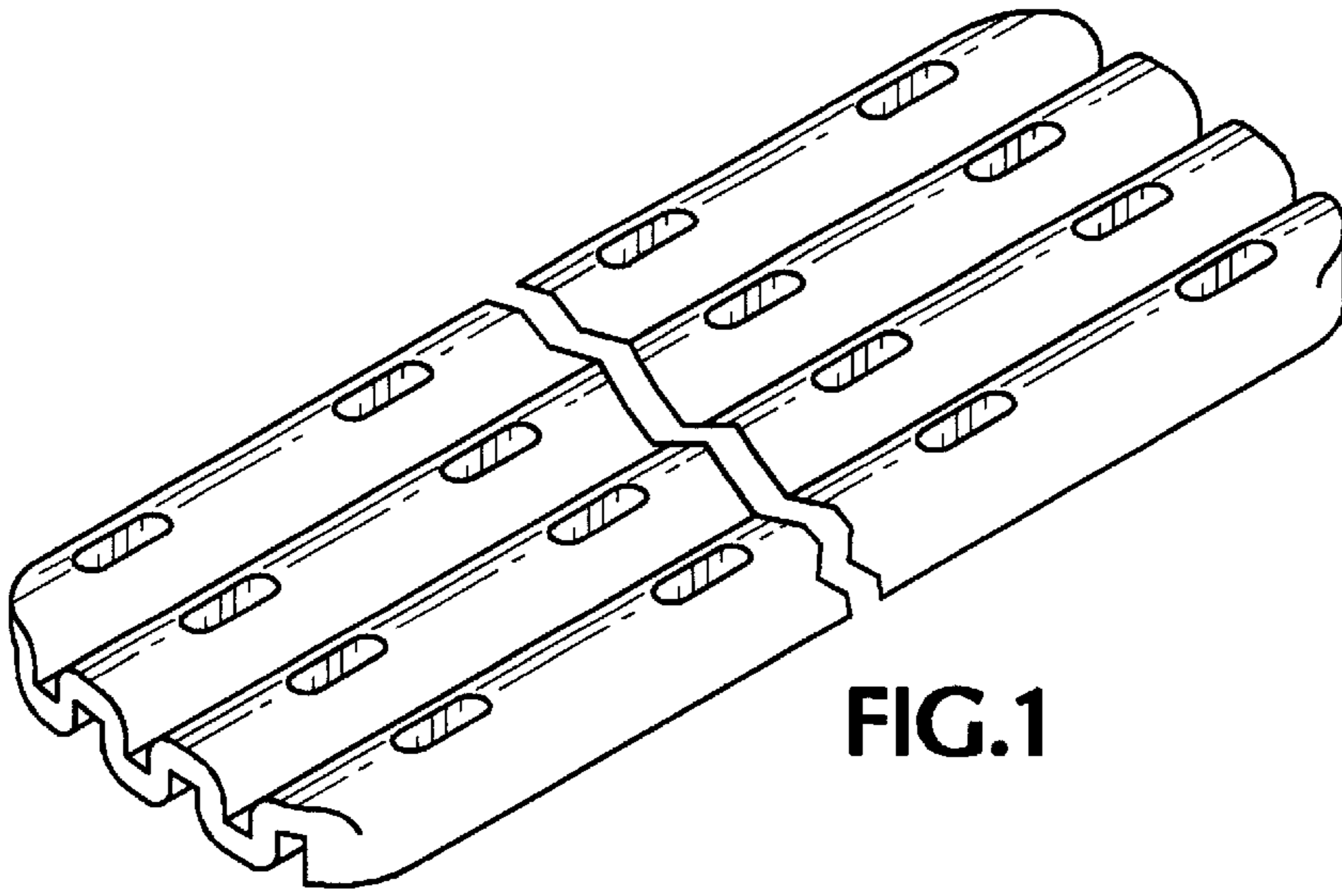


FIG. 1

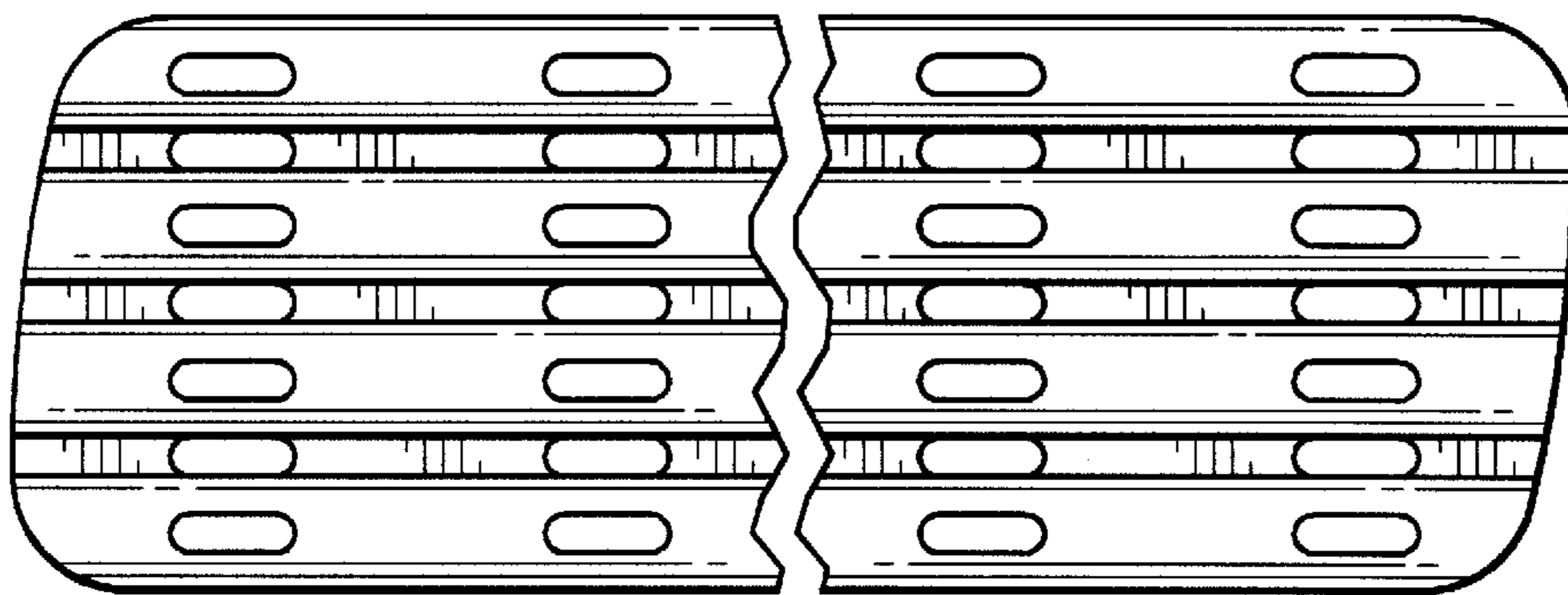


FIG. 2



FIG. 3



FIG. 4

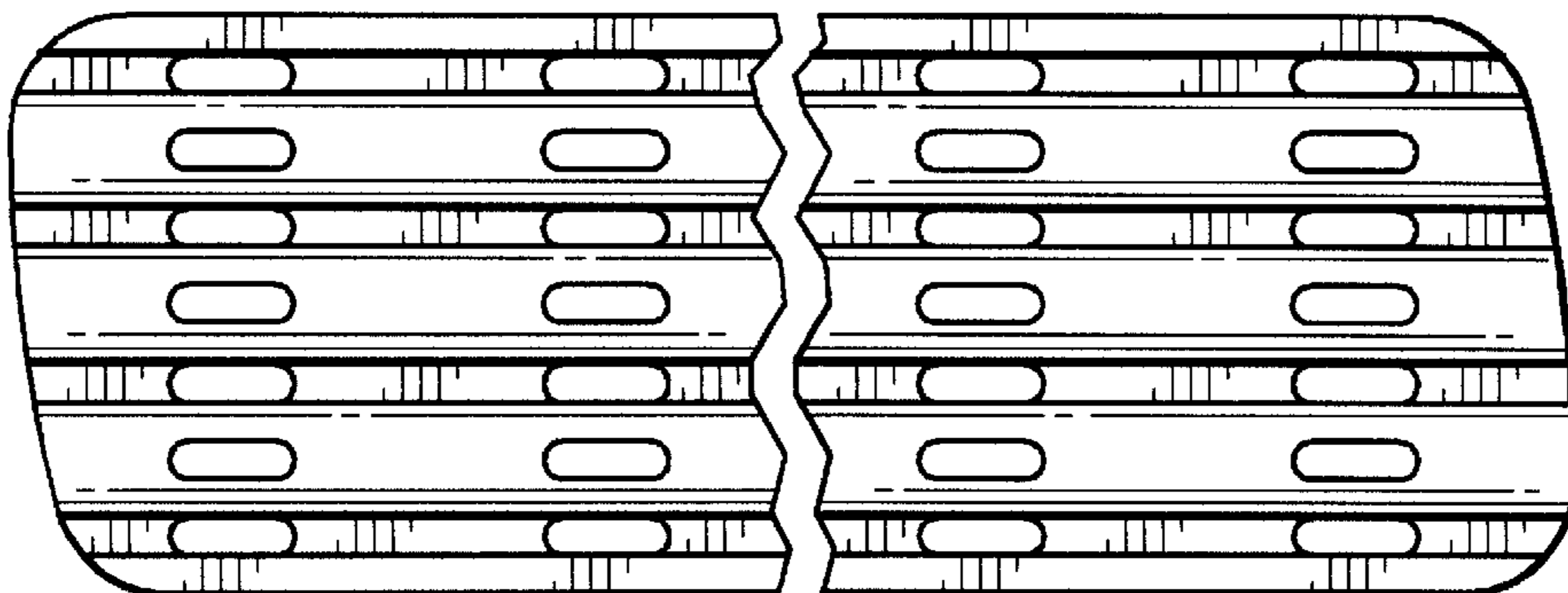


FIG. 5