



US00D460850S

(12) **United States Design Patent**  
**Giampavolo et al.**

(10) **Patent No.:** **US D460,850 S**

(45) **Date of Patent:** **\*\* Jul. 23, 2002**

(54) **PALLET GUARD SECTION**

6,050,419 A \* 4/2000 Flanagan et al. .... 206/597  
6,079,560 A \* 6/2000 Champion ..... 206/386

(75) Inventors: **Paul Giampavolo**, Somersworth, NH (US); **Robert N. Shelton**, Princeton, MA (US)

\* cited by examiner

(73) Assignee: **Safe-Strap Company, Inc.**, Somersworth, NH (US)

*Primary Examiner*—Cynthia E. Ramirez  
(74) *Attorney, Agent, or Firm*—Ostrolenk, Faber, Gerb & Soffen, LLP

(\*\*) Term: **14 Years**

(57) **CLAIM**

(21) Appl. No.: **29/123,763**

The ornamental design for a pallet guard section, as shown and described.

(22) Filed: **May 24, 2000**

**DESCRIPTION**

**Related U.S. Application Data**

(62) Division of application No. 09/537,326, filed on Mar. 29, 2000.

FIG. 1 is front view of a pallet guard section in accordance with the invention;

(51) **LOC (7) Cl.** ..... **09-08**

FIG. 2 is top view of the pallet guard section in accordance with the invention;

(52) **U.S. Cl.** ..... **D34/38**

FIG. 3 is a rear view of the pallet guard section in accordance with the invention;

(58) **Field of Search** ..... D9/455, 456; 206/512, 206/597, 386; 108/55.1; 428/100; 217/43 R, 12 A, 43 A

FIG. 4 is a bottom view of the pallet guard section in accordance with the invention;

(56) **References Cited**

**U.S. PATENT DOCUMENTS**

- 2,762,551 A \* 9/1956 Fallert ..... 206/512
- 3,473,654 A \* 10/1969 Zimmermann ..... 206/512
- 3,832,956 A \* 9/1974 Briel, Jr. .... 108/55.1
- 3,904,066 A \* 9/1975 Wilson ..... 206/512
- 4,069,938 A \* 1/1978 Palte et al. .... 217/12 A
- 4,383,609 A \* 5/1983 Lochmiller ..... 206/386
- 4,834,254 A \* 5/1989 Mead ..... 217/43 A
- 4,838,418 A \* 6/1989 Teixeira ..... 206/386
- 4,877,137 A \* 10/1989 Govang et al. .... 206/597
- 5,000,372 A \* 3/1991 Hollander et al. .... 206/512
- 5,037,027 A \* 8/1991 Nichols ..... 206/512
- 5,524,383 A \* 6/1996 Sanko et al. .... 217/43 A
- 5,549,202 A \* 8/1996 Whiteside ..... 206/597
- 5,909,808 A \* 6/1999 Bartholomew ..... 206/597
- 5,972,464 A \* 10/1999 Pezzuco ..... 428/100

FIG. 5 is a left side view of the pallet guard section in accordance with the invention;

FIG. 6 is a right side view of the pallet guard section in accordance with the invention;

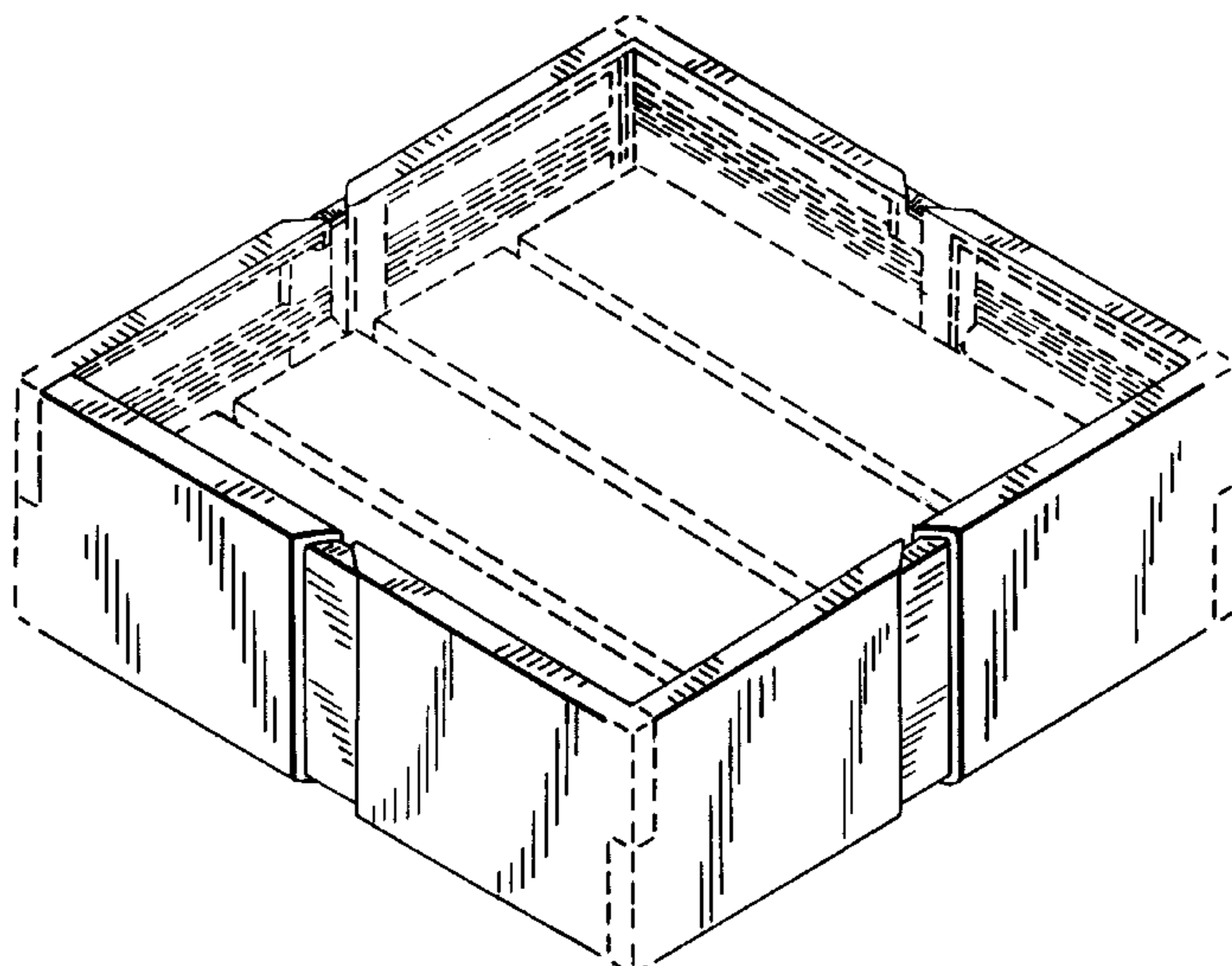
FIG. 7 is a front perspective view of the pallet guard section in accordance with the invention;

FIG. 8 is a front perspective view of the pallet guard section when the pallet guard section is in an extended position; and, FIG. 9 is a perspective view of four pallet guard sections coupled together to form a pallet guard, the pallet guard protecting a pallet therein.

For the purpose of illustrating the invention, there is shown in the drawings a form which is presently preferred, it being understood, however, that the invention is not limited to the precise arrangements and instrumentalities shown.

The broken line showing in the figures is for illustrative purposes only and forms no part of the claimed design.

**1 Claim, 5 Drawing Sheets**



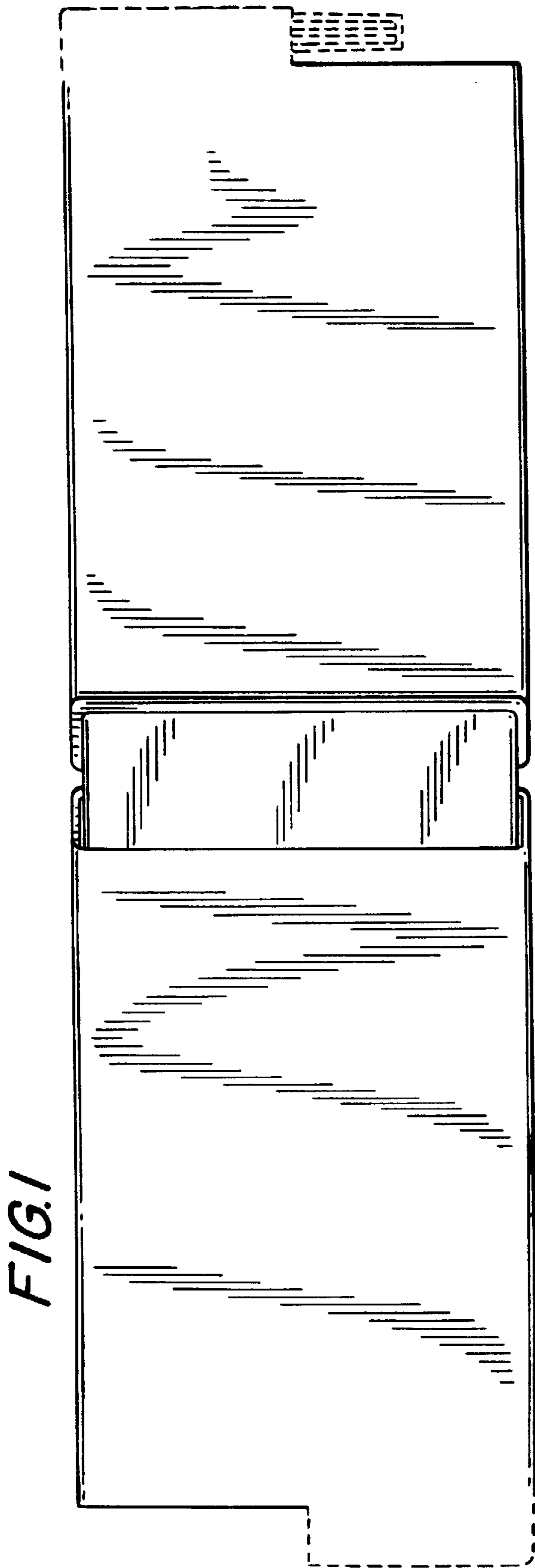


FIG. 2

FIG. 1

FIG.3

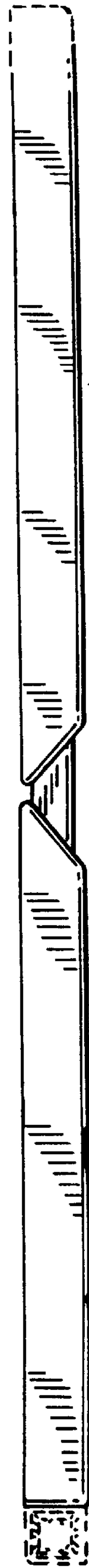
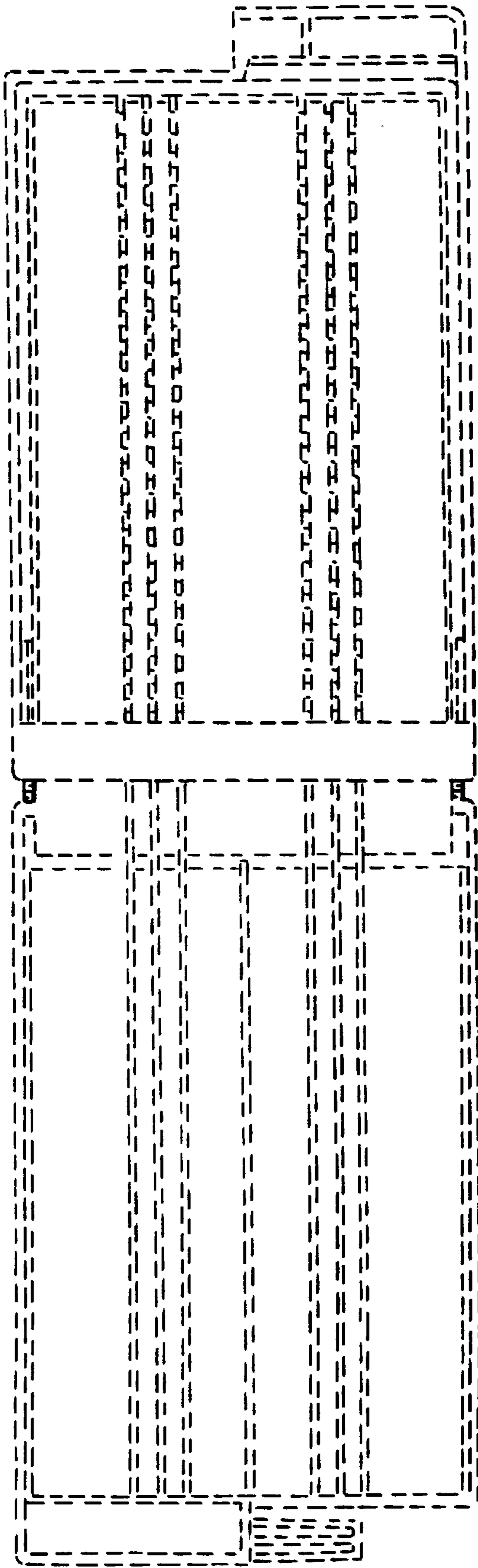


FIG.4

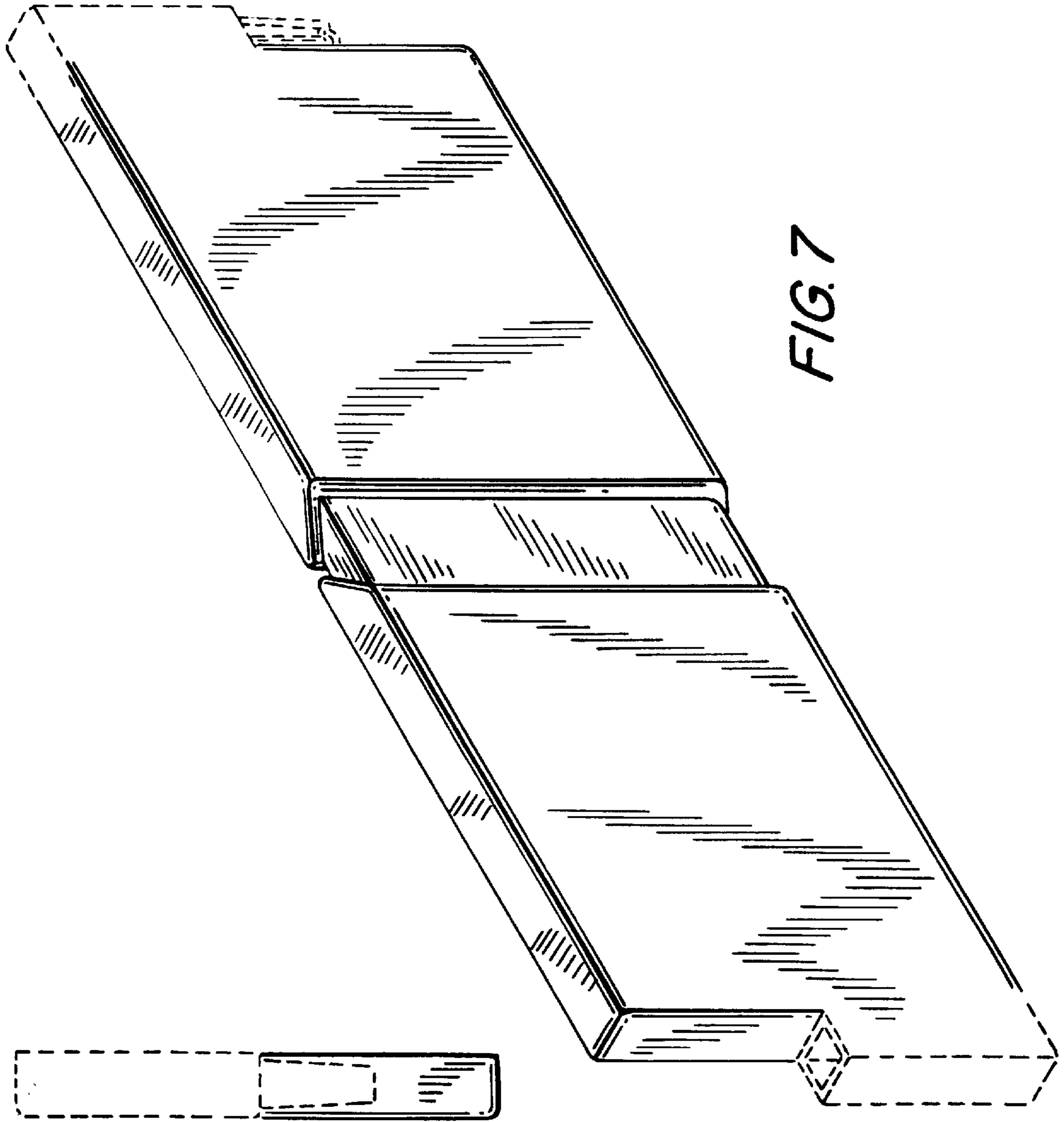
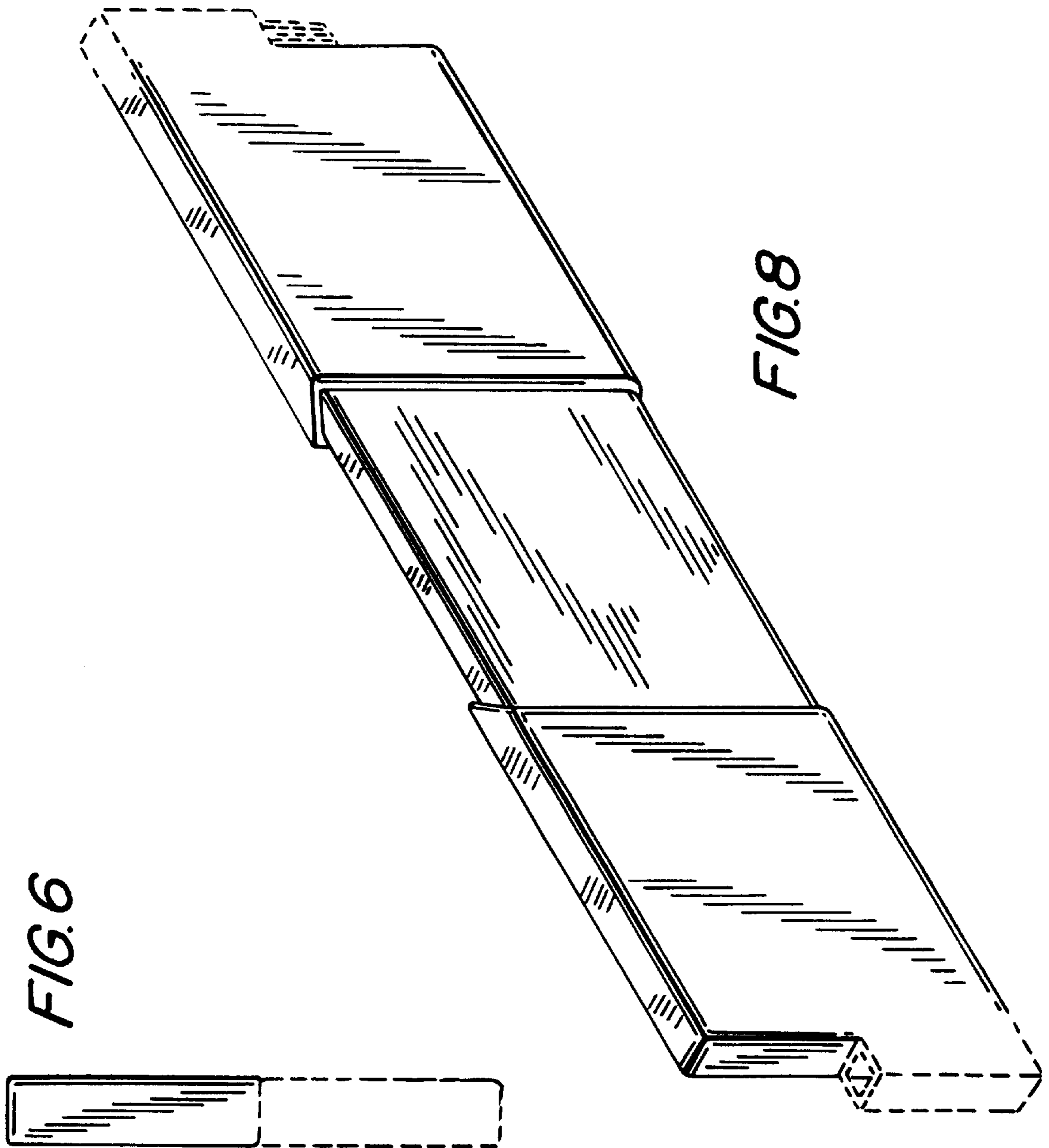


FIG. 7

FIG. 5



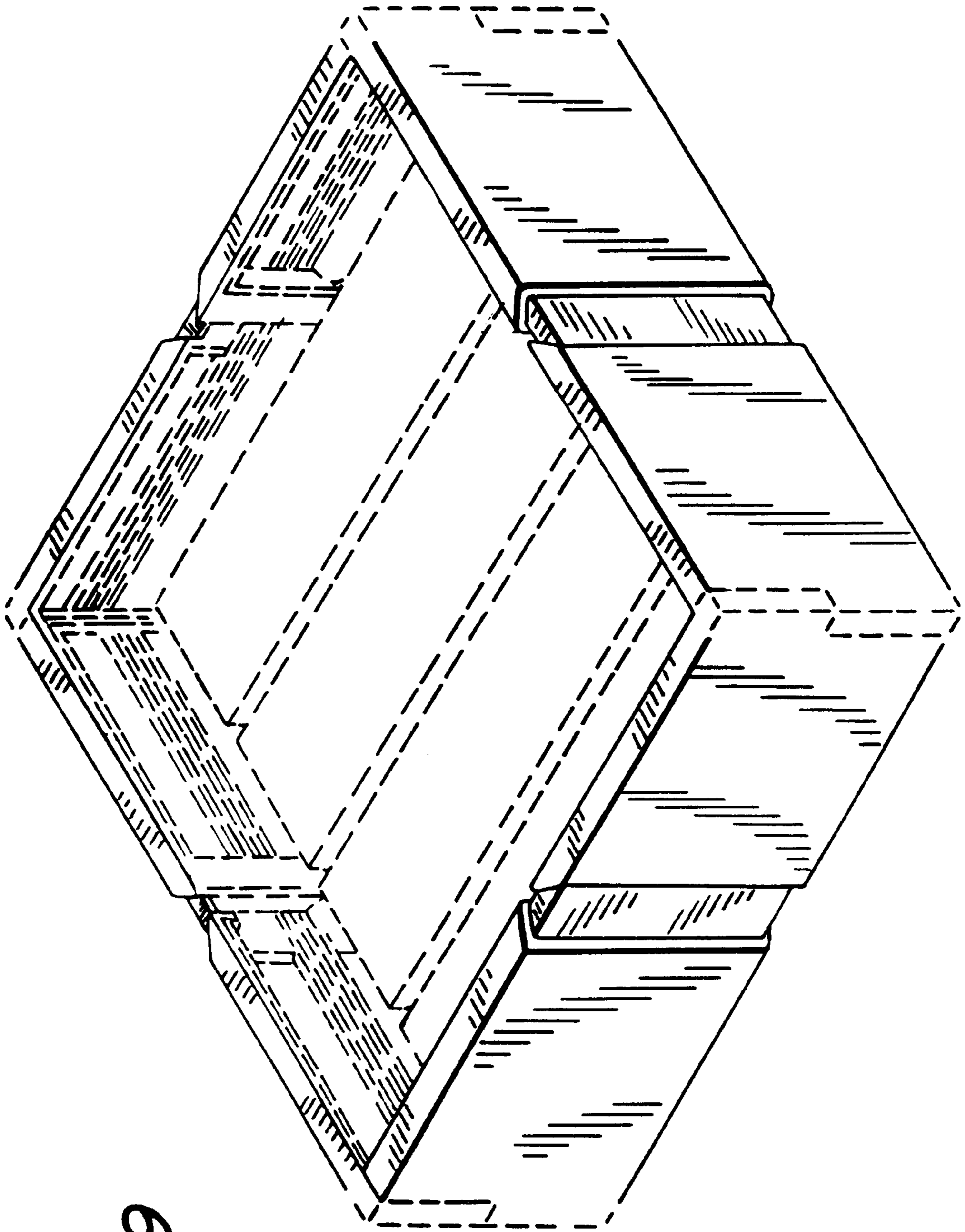


FIG. 9