



US00D460844S

(12) **United States Design Patent**
Kagawa et al.

(10) **Patent No.:** **US D460,844 S**

(45) **Date of Patent:** **** Jul. 23, 2002**

(54) **WINDOW WIPING DEVICE**

(74) *Attorney, Agent, or Firm*—Lynn & Lynn

(75) Inventors: **Kazushi Kagawa; Keiji Mori**, both of
Kadoma (JP)

(57) **CLAIM**

The ornamental design for a window wiping device, substantially as shown and described.

(73) Assignee: **Matsushita Electric Works, Ltd.**,
Osaka (JP)

(**) Term: **14 Years**

DESCRIPTION

(21) Appl. No.: **29/133,719**

FIG. 1 is a front view of a window wiping device embodying our design;

(22) Filed: **Dec. 5, 2000**

FIG. 2 is a rear view thereof;

(30) **Foreign Application Priority Data**

Jun. 7, 2000 (JP) 2000-015381

FIG. 3 is a left side elevational view thereof;

(51) **LOC (7) Cl.** **08-05**

FIG. 4 is a right side elevational view thereof;

(52) **U.S. Cl.** **D32/52**

FIG. 5 is a sectional view thereof on line 5—5 with internal mechanisms omitted;

(58) **Field of Search** D32/35, 40, 52;
15/220.1, 220.2, 232, 250.28

FIG. 6 is a top plan view thereof;

(56) **References Cited**

U.S. PATENT DOCUMENTS

3,922,747 A * 12/1975 Kaftan 15/220.2
5,515,570 A * 5/1996 Muscroft 15/220.2
D409,342 S * 5/1999 Kajimoto et al. D32/40

FIG. 7 is a sectional view thereof on line 7—7 with internal mechanisms omitted; and,

FIG. 8 is an environmental view thereof showing a state in use.

OTHER PUBLICATIONS

SPICE Catalog, Matsushita Electric Works, Ltd., Feb. 2000.

The broken line environmental showing is for illustrative purposes only and forms no part of the claimed design.

* cited by examiner

Primary Examiner—Jennifer Rivard

1 Claim, 2 Drawing Sheets

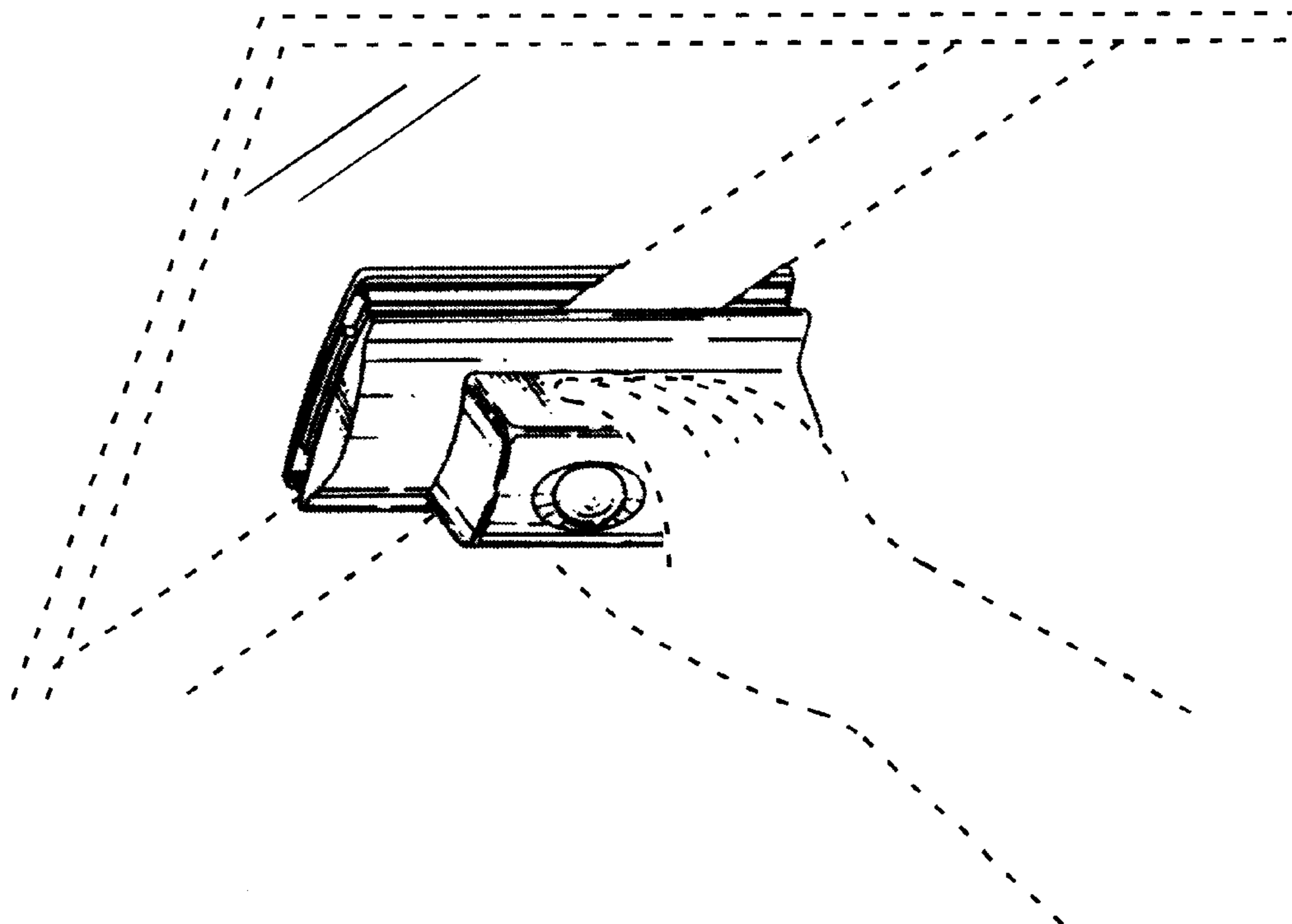


FIG. 1

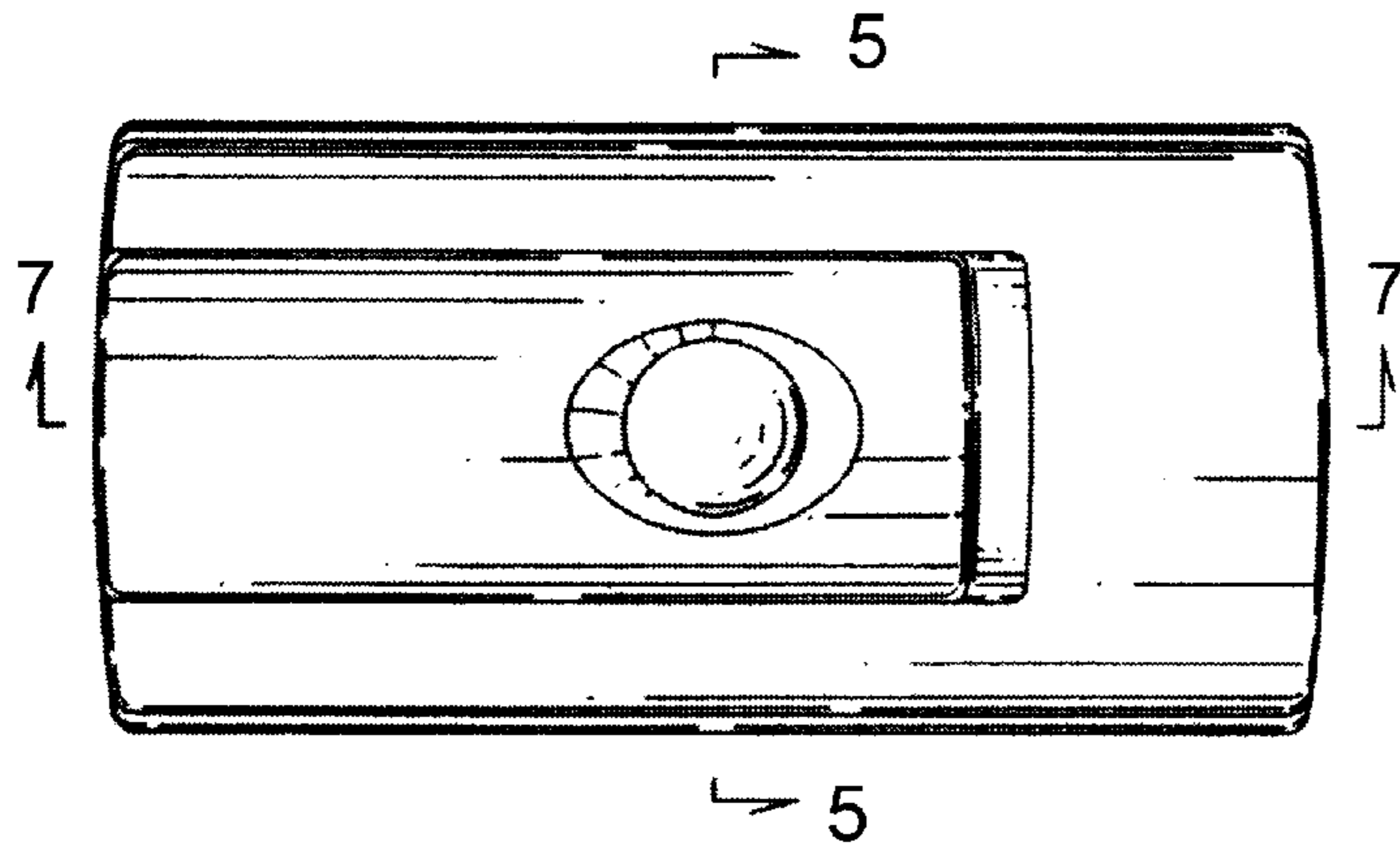


FIG. 3

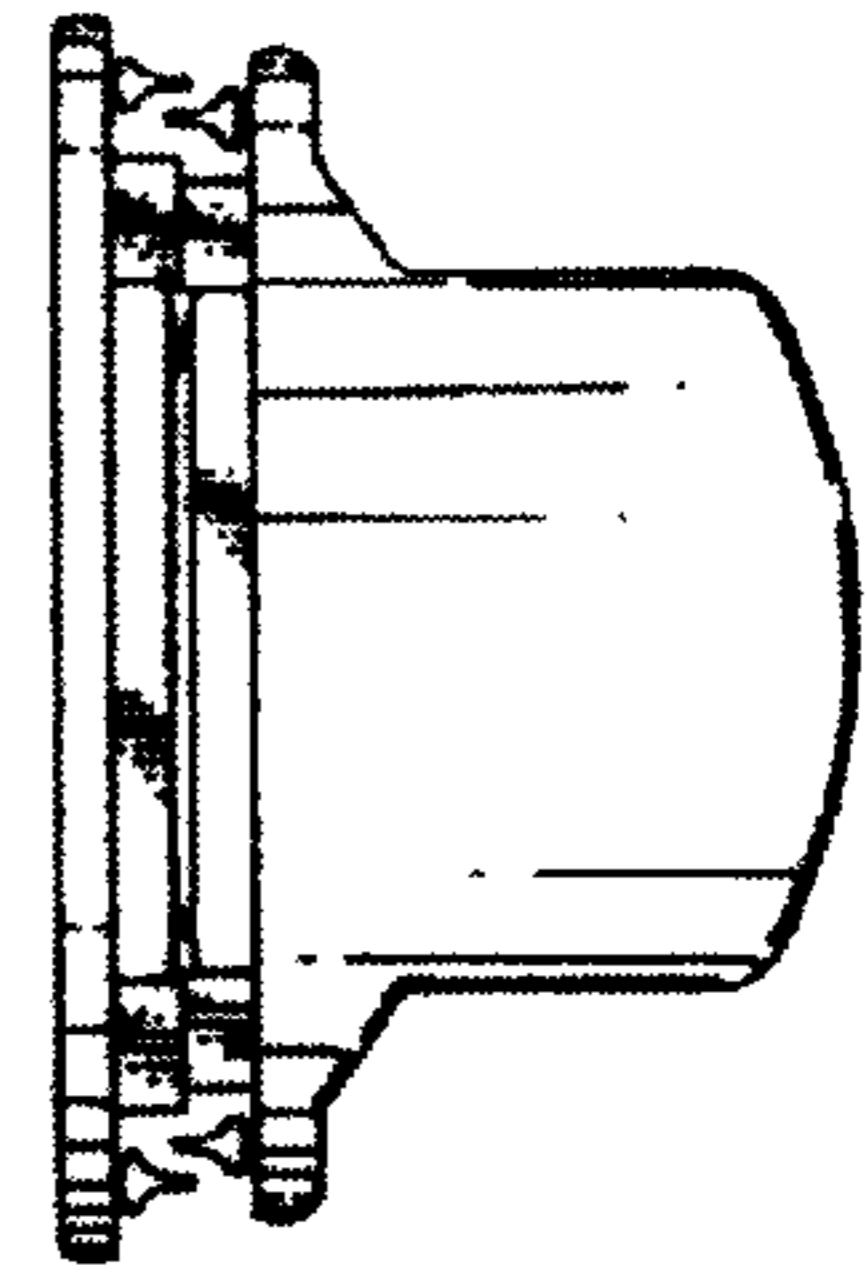


FIG. 2

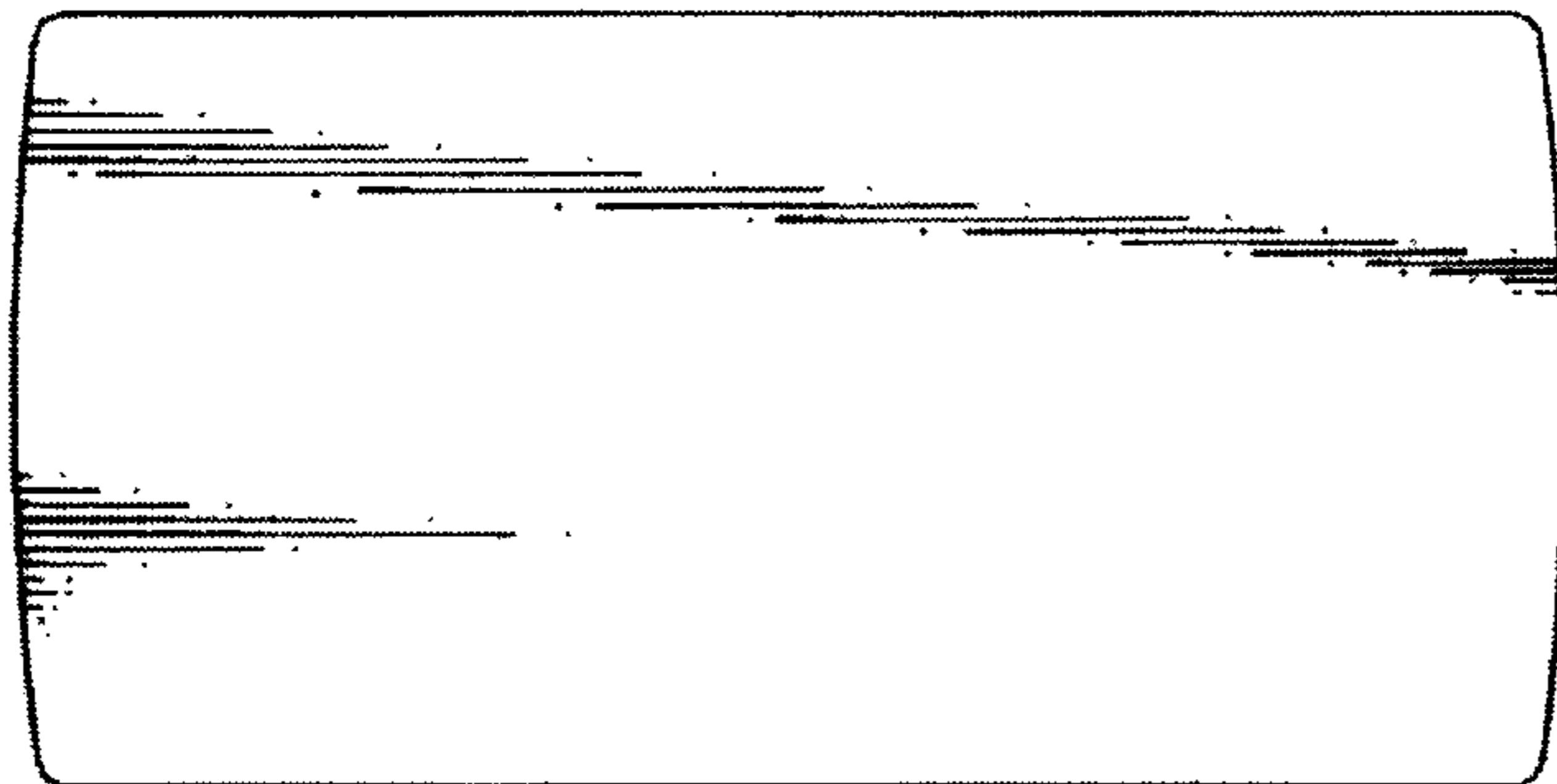


FIG. 4

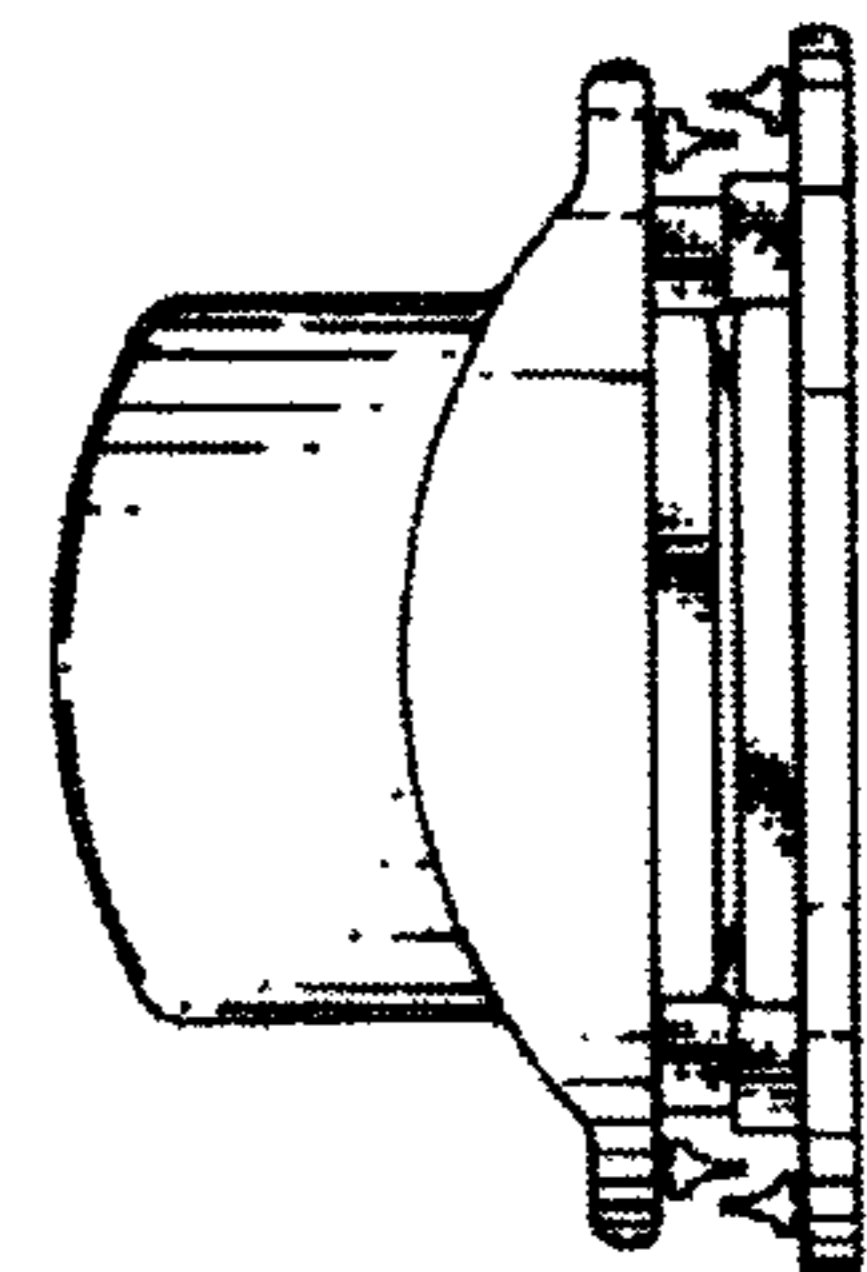


FIG. 5

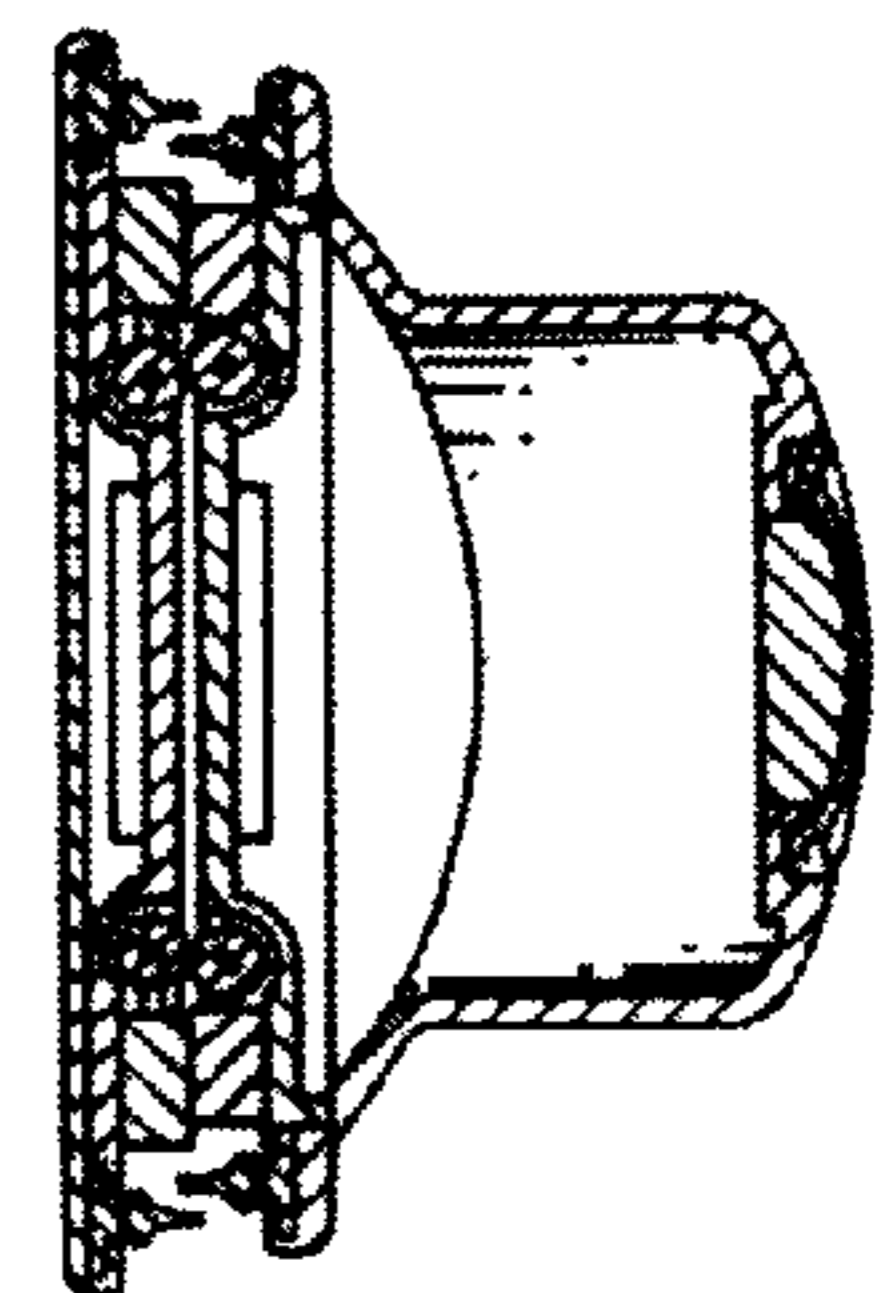


FIG. 6

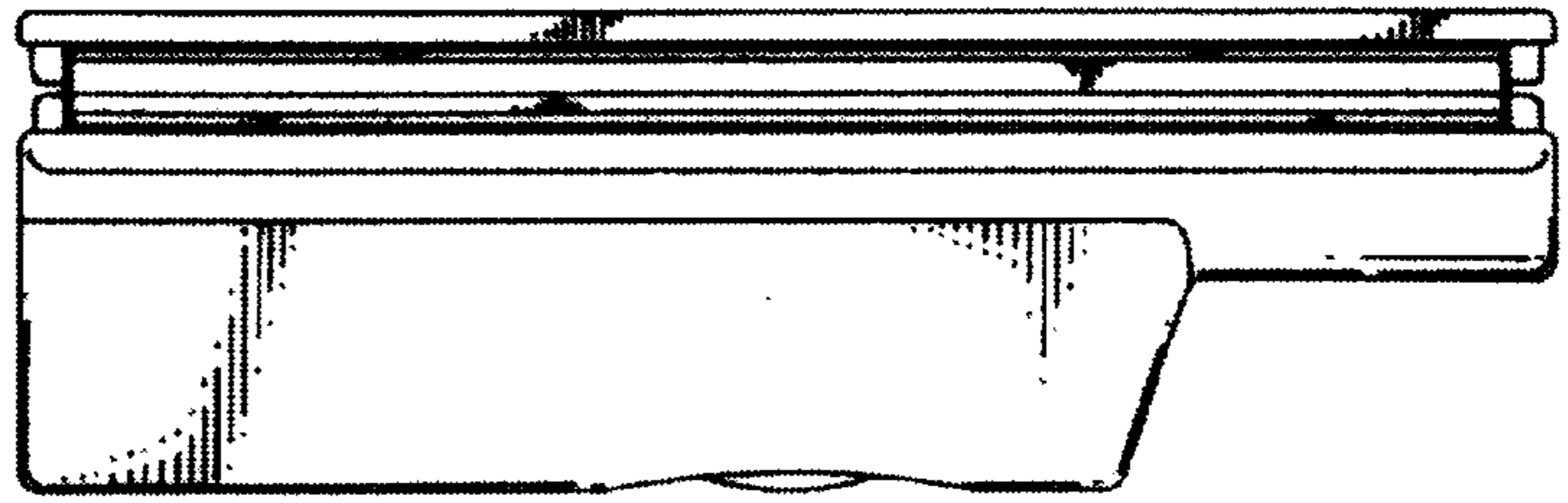


FIG. 7

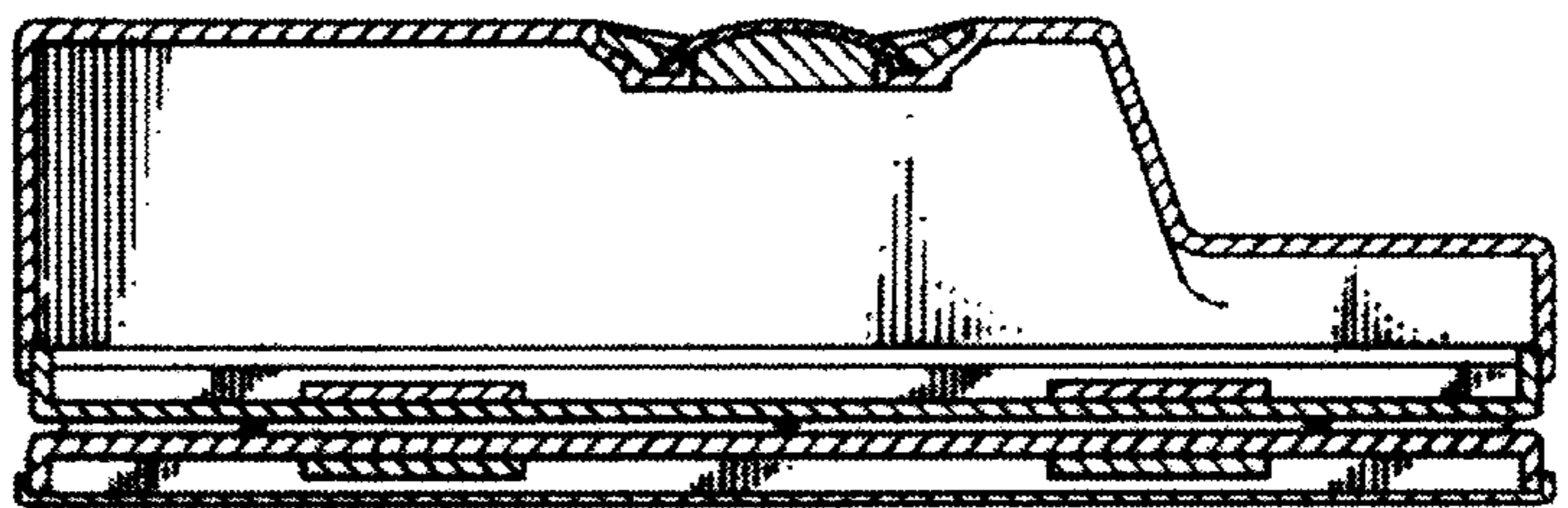


FIG. 8

