



US00D460843S

(12) **United States Design Patent**
Saimen et al.

(10) **Patent No.:** **US D460,843 S**

(45) **Date of Patent:** **** Jul. 23, 2002**

(54) **VACUUM CLEANER**

(75) **Inventors:** **Tadahiko Saimen**, Nara; **Nobuhiro Fujii**, Osaka, both of (JP)

(73) **Assignee:** **Sharp Kabushiki Kaisha**, Osaka (JP)

(**) **Term:** **14 Years**

(21) **Appl. No.:** **29/148,463**

(22) **Filed:** **Sep. 21, 2001**

(30) **Foreign Application Priority Data**

Mar. 26, 2001 (JP) 2001-008475

(51) **LOC (7) Cl.** **15-05**

(52) **U.S. Cl.** **D32/21**

(58) **Field of Search** D32/17-18, 21-22,
D32/25, 31, 34; 15/320-322, 329, 341,
344, 347, 350-353, 361, 410-411, 377,
323, DIG. 10, 414-422.1

(56) **References Cited**

U.S. PATENT DOCUMENTS

D183,800 S	*	10/1958	Lambert	D32/21
D285,734 S		9/1986	Haruguchi et al.		
D296,944 S		7/1988	Yamamoto et al.		
D311,613 S		10/1990	Kuriya		
D315,431 S		3/1991	Ikeda et al.		
D325,274 S		4/1992	Ikeda		
D344,164 S		2/1994	Kuriya		

D344,165 S		2/1994	Kuriya		
D373,665 S		9/1996	Nakamura et al.		
D382,679 S	*	8/1997	Dyson	D32/21
D384,447 S	*	9/1997	Lauer et al.	D32/21
D398,093 S		9/1998	Fujima		
D399,617 S	*	10/1998	Fujita	D32/21
D417,046 S	*	11/1999	Tsuruha et al.	D32/21
D430,366 S	*	8/2000	Sato et al.	D32/21
D432,746 S	*	10/2000	Frey	D32/24
6,145,160 A	*	11/2000	Buss et al.	15/323
D452,594 S	*	12/2001	Rosa	D32/21

* cited by examiner

Primary Examiner—Ruth McInroy

(74) *Attorney, Agent, or Firm*—Nixon & Vanderhye

(57) **CLAIM**

The ornamental design for a vacuum cleaner, as shown and described.

DESCRIPTION

FIG. 1 is a top, front and right side perspective view of a vacuum cleaner showing our new design; FIG. 2 is a front elevational view thereof; FIG. 3 is a right side elevational view thereof; FIG. 4 is a rear elevational view thereof; FIG. 5 is a left side elevational view thereof; FIG. 6 is a top plan view thereof; and, FIG. 7 is a bottom plan view thereof.

1 Claim, 7 Drawing Sheets

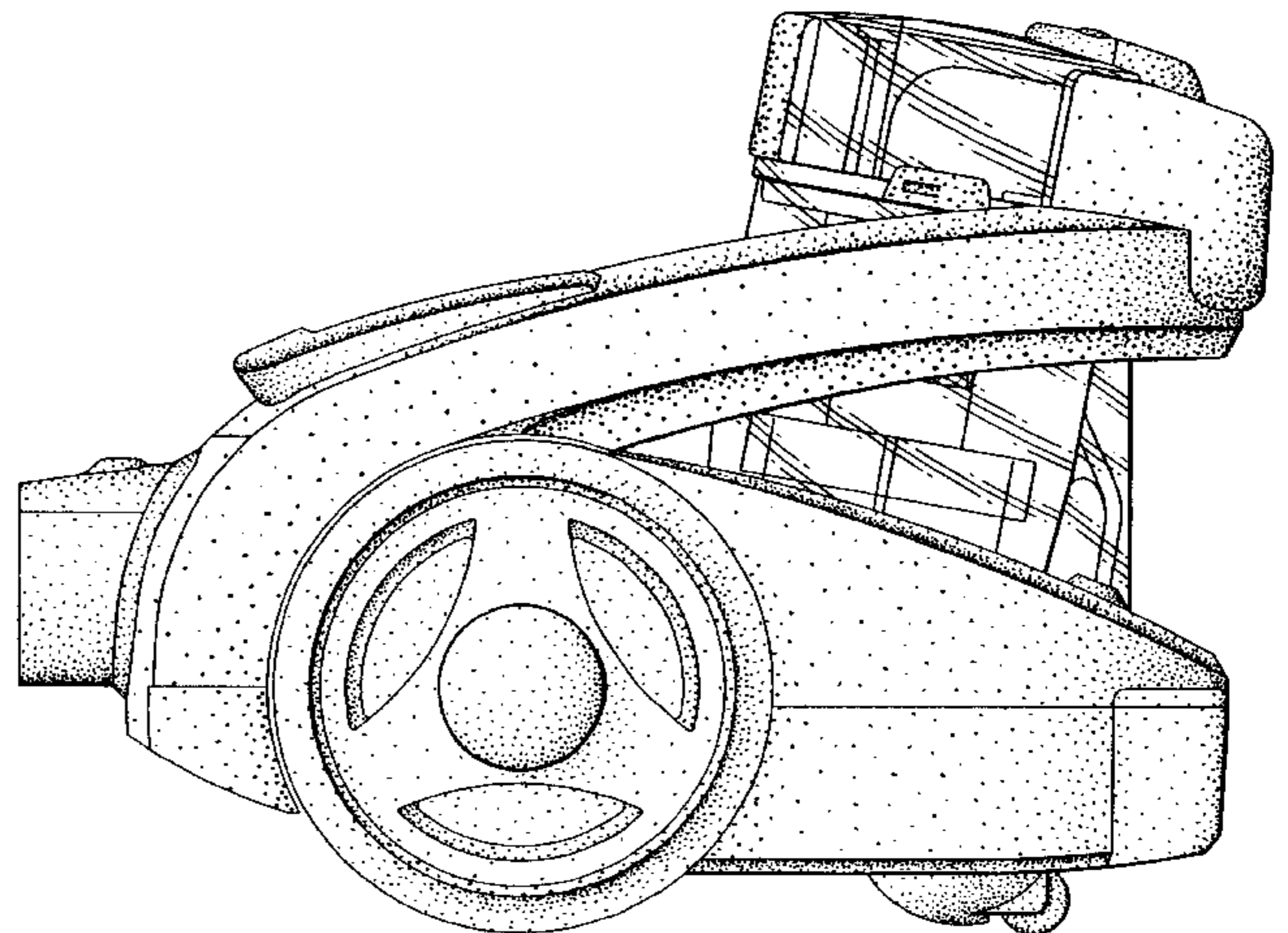
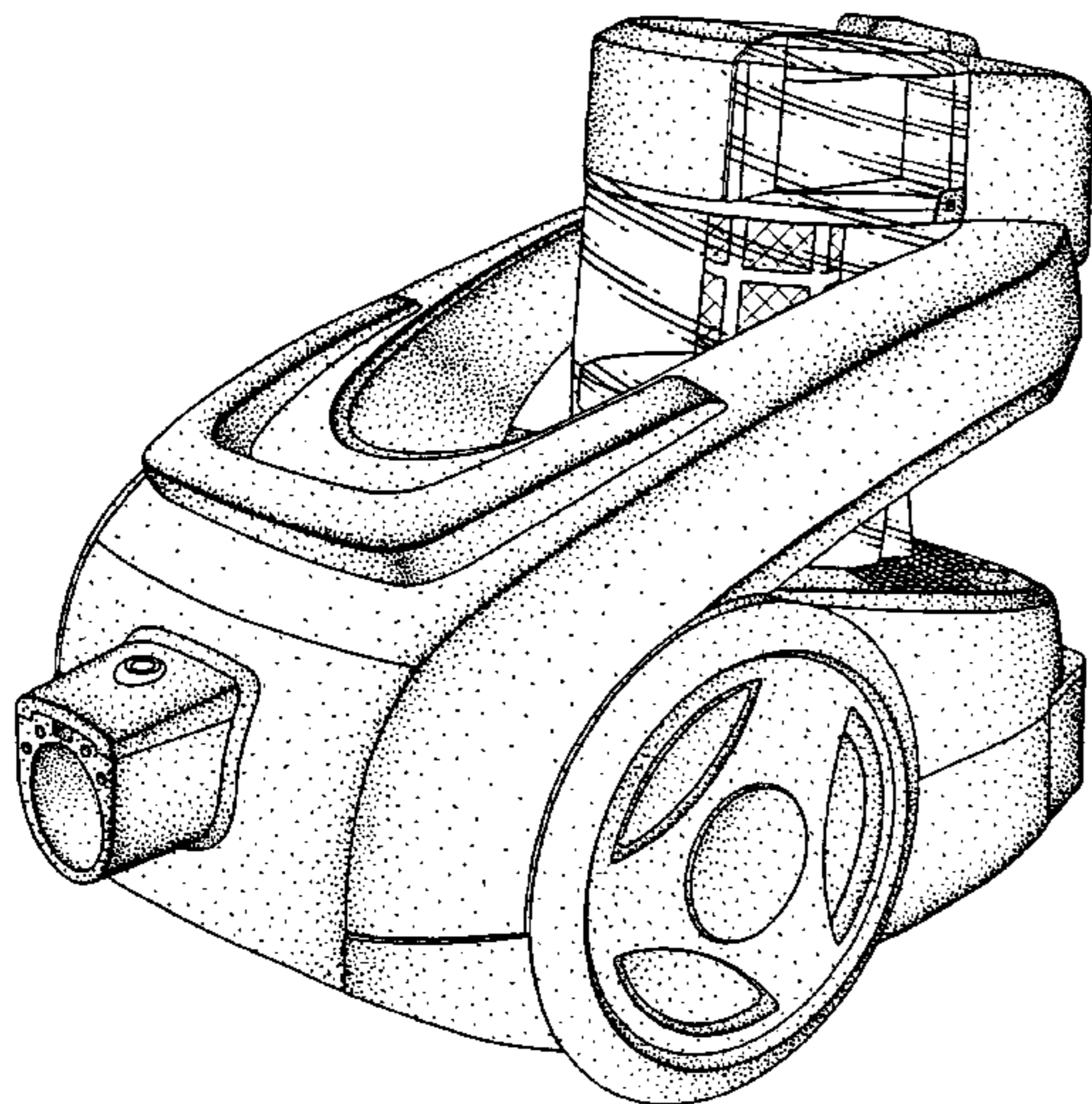
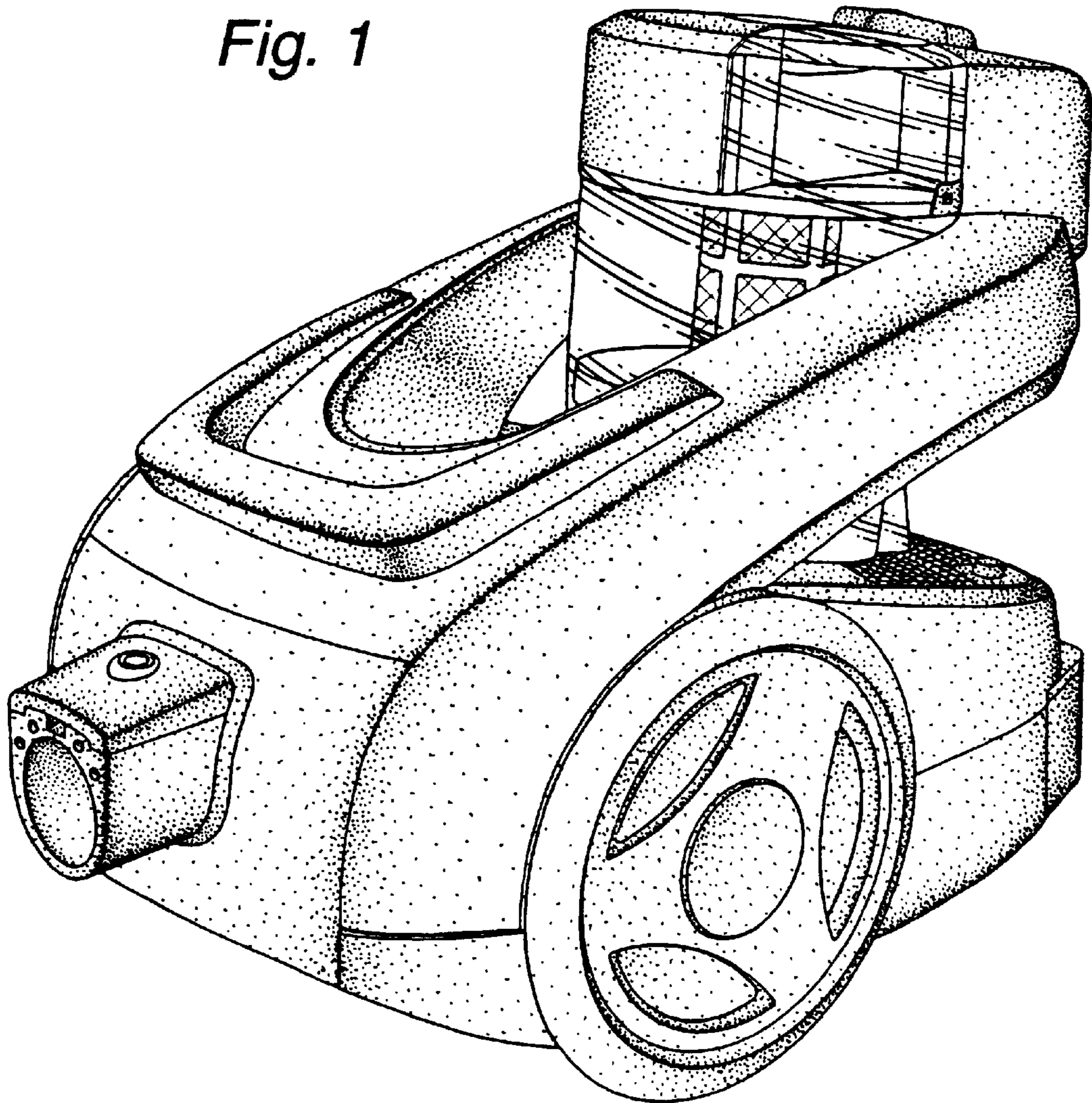


Fig. 1



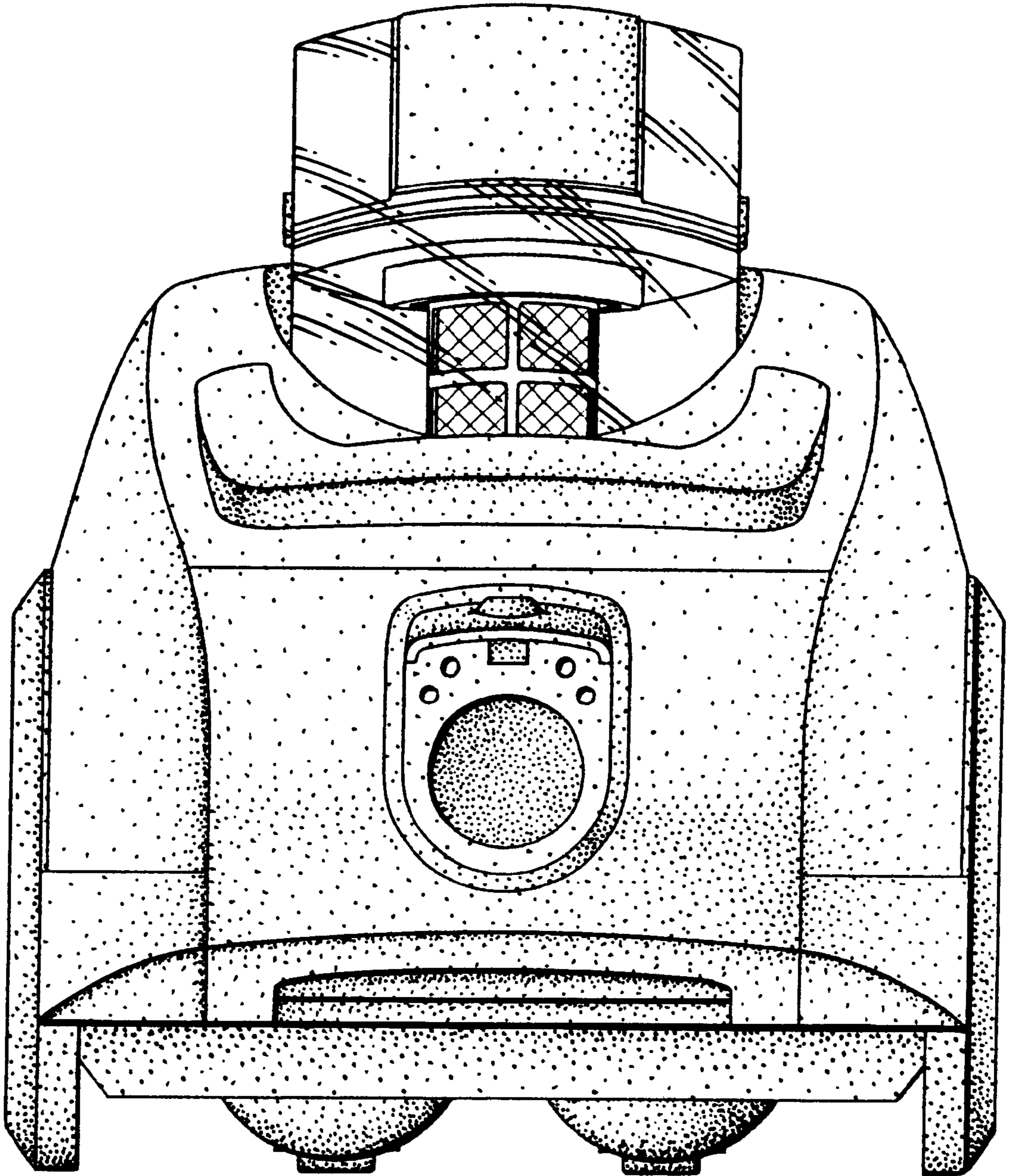


Fig. 2

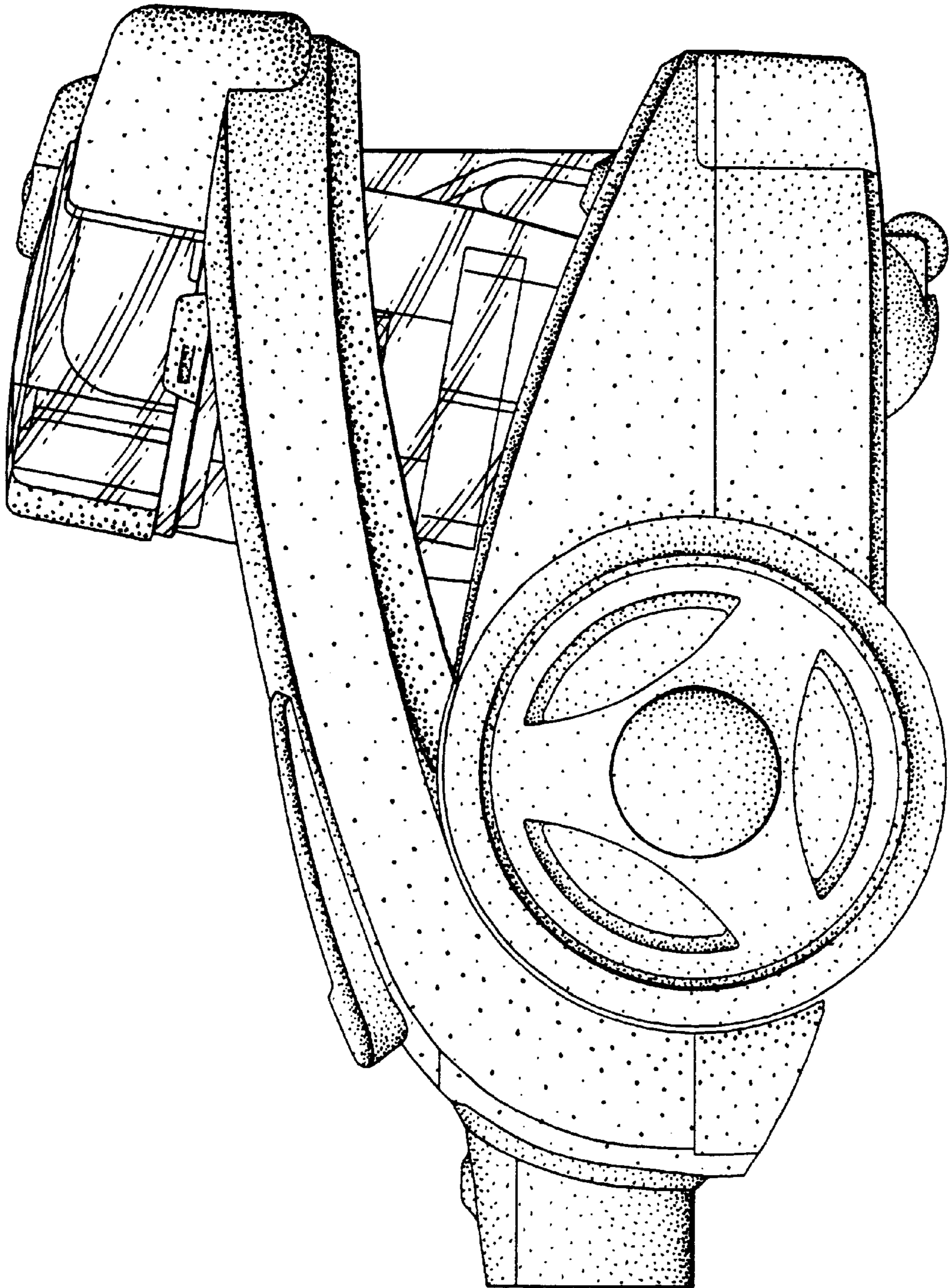


Fig. 3

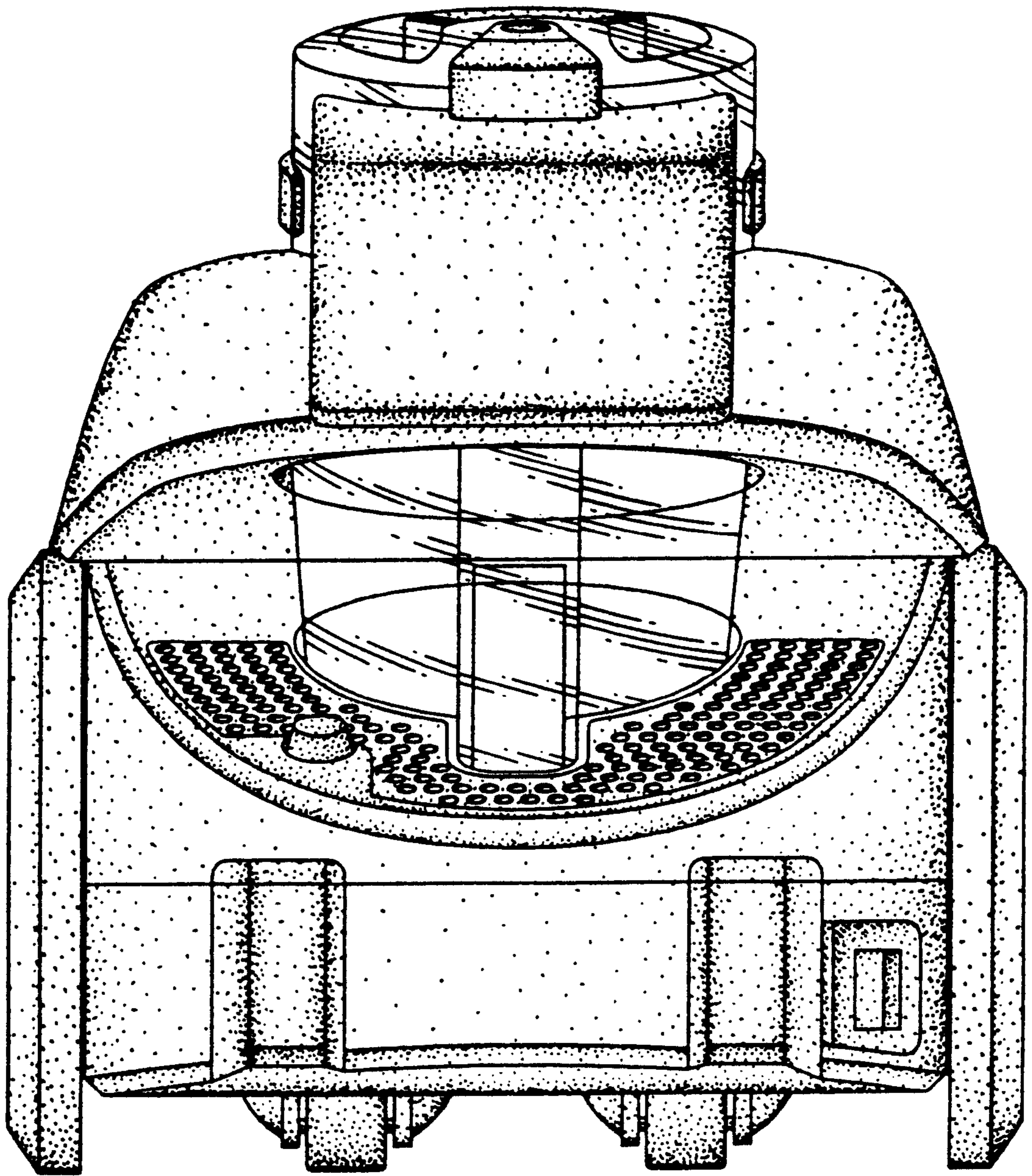


Fig. 4

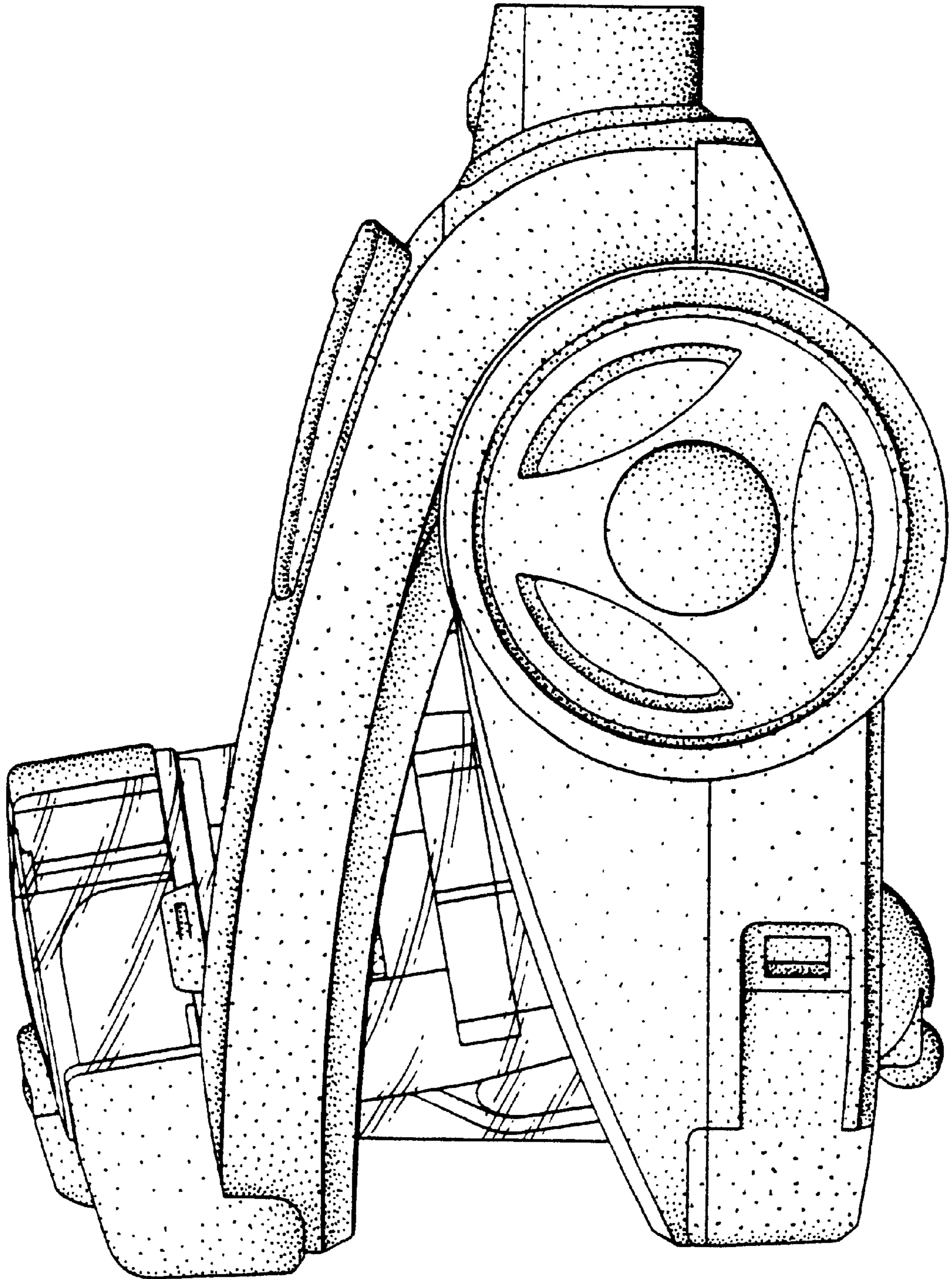


Fig. 5

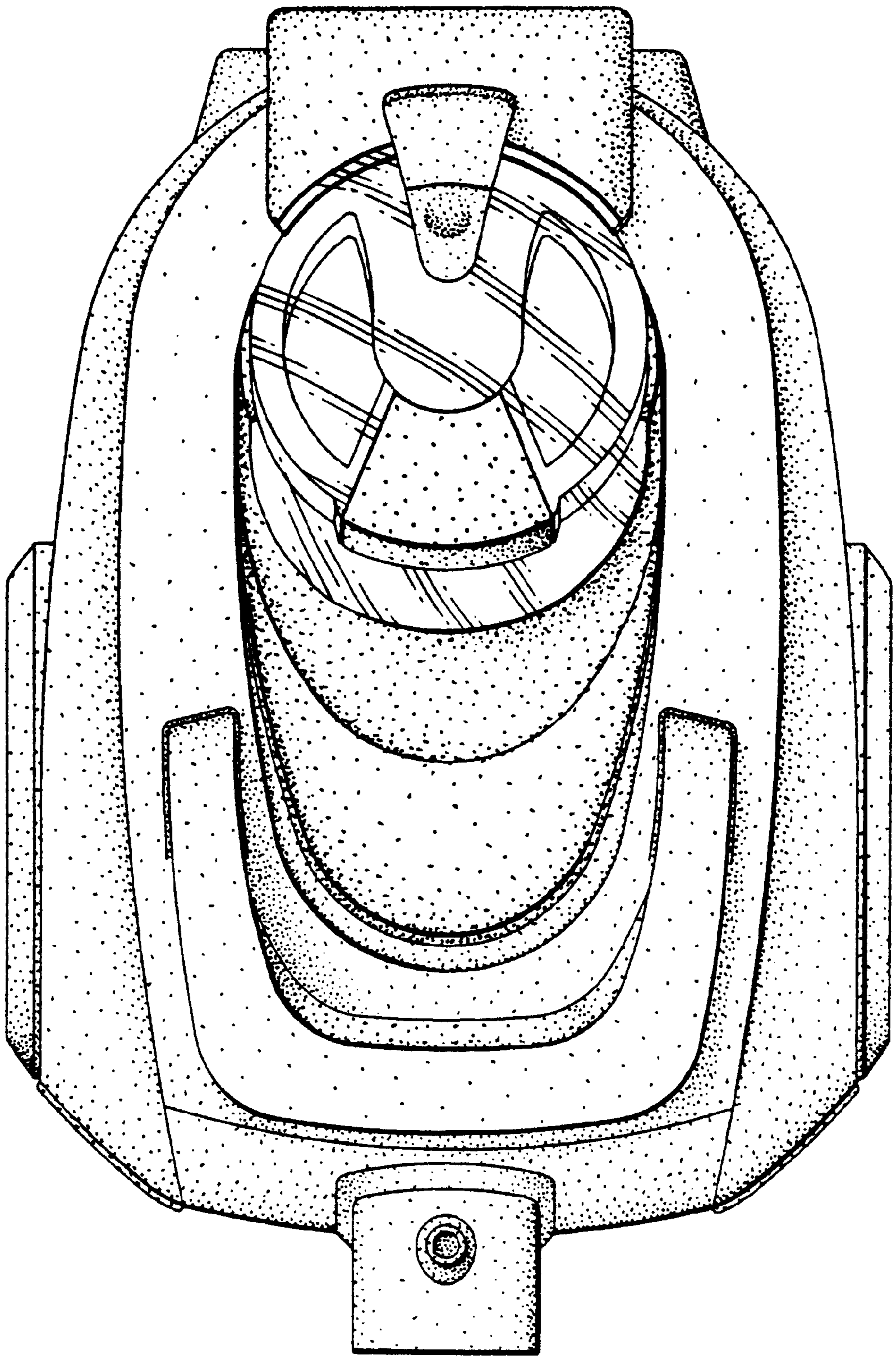


Fig. 6

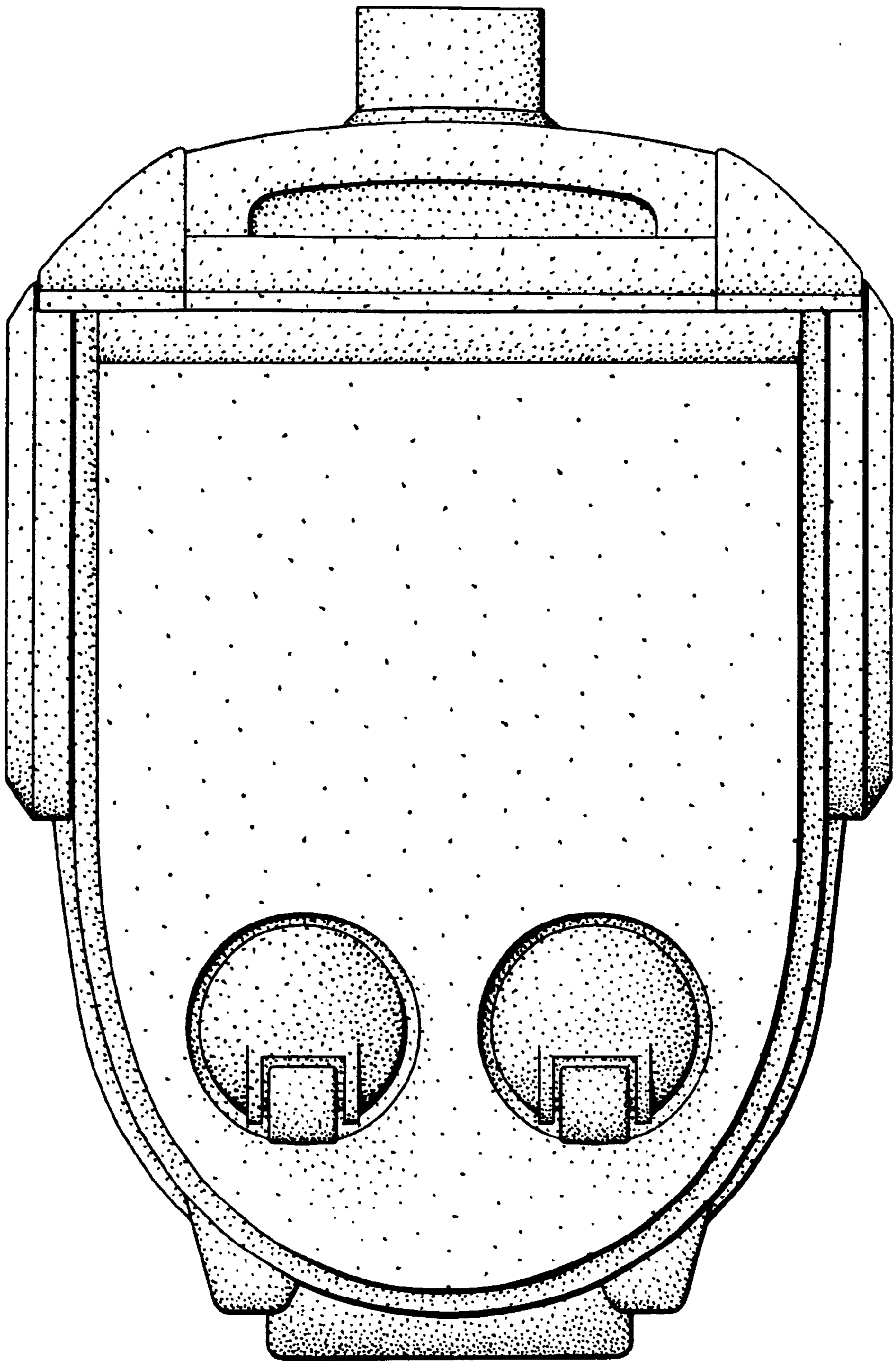


Fig. 7