



US00D460839S

(12) **United States Design Patent**
Kreger et al.

(10) **Patent No.:** **US D460,839 S**
(45) **Date of Patent:** **** Jul. 23, 2002**

(54) **POULTRY FEEDER**

(75) Inventors: **Lionel Leslie Kreger**, Warsaw;
Theodore John Cole, Milford; **James Kraft**, New Paris, all of IN (US)

(73) Assignee: **CTB IP, Inc.**, Wilmington, DE (US)

(**) Term: **14 Years**

(21) Appl. No.: **29/148,610**

(22) Filed: **Sep. 24, 2001**

(51) **LOC (7) Cl.** **30-03**

(52) **U.S. Cl.** **D30/124; D30/122**

(58) **Field of Search** D30/124, 128,
D30/121, 122; 119/57.4, 53, 51.02, 51.01,
51.1

(56) **References Cited**

U.S. PATENT DOCUMENTS

414,405 A	11/1889	Hallock	
948,014 A	2/1910	Lewis	
2,323,117 A	6/1943	Carmo	119/55
D167,709 S	9/1952	Muehlfeld	12/2
2,653,570 A	9/1953	Grindstaff	119/52
3,074,377 A	1/1963	Spencer	119/54
3,105,463 A	10/1963	Pilch	119/52
3,490,419 A	1/1970	Van Huis	119/53
3,503,372 A	3/1970	Saurer	119/55
3,511,215 A	5/1970	Myers	119/53
3,585,970 A	6/1971	Scott	119/53
3,717,127 A	2/1973	Porterfield	119/52
3,811,412 A	5/1974	Murto et al.	119/53
3,827,405 A	8/1974	Allen	119/53
3,901,194 A	8/1975	Meyer et al.	119/53
3,999,519 A	12/1976	Rodemeyer	119/29
4,070,990 A	1/1978	Swartzendruber	119/53
4,200,060 A	4/1980	Van Daele	119/56
4,216,742 A	8/1980	Kirchhofer	119/18
4,401,057 A	8/1983	Van Gilst	119/51
4,488,509 A	12/1984	Awalt	119/53
D286,692 S	11/1986	DePew	30/13

4,815,417 A	3/1989	Strong	119/52
D302,750 S	* 8/1989	Brembeck et al.	D30/122
D321,959 S	11/1991	Cole et al.	30/121
5,113,797 A	5/1992	Van Daele	119/53
5,199,382 A	4/1993	Adriano	119/57.4
5,463,980 A	11/1995	Rasmussen	119/57.1
5,497,730 A	3/1996	Van Daele et al.	119/53
5,517,944 A	5/1996	Bate et al.	119/53
5,588,395 A	12/1996	Lee	119/72
5,699,753 A	12/1997	Aldridge, III	119/52.1
5,927,232 A	* 7/1999	Pollock	119/57.4
5,941,193 A	* 8/1999	Cole	119/57.4
D426,682 S	* 6/2000	Kreger et al.	D30/121

OTHER PUBLICATIONS

Product Brochure—Chickmate “Snap C Swivel” Chick Feed Dispenser—not dated.
House & Garden; p. 73; Advertisement for Metal Bird Feeder by Ada Mae Products; Dec. 1953.
Design 106; p. 58; The “Pretty Polly” Poultry Feeder advertisement; Oct. 1957.

* cited by examiner

Primary Examiner—Pamela Burgess
(74) *Attorney, Agent, or Firm*—Trexler, Bushnell, Giangiorgi, Blackstone & Marr, Ltd.

(57) **CLAIM**

We claim the ornamental design for a poultry feeder, as shown and described.

DESCRIPTION

FIG. 1 is a top perspective view of a poultry feeder showing my new design;
FIG. 2 is a front elevational view thereof, the rear elevational view being a mirror image thereof;
FIG. 3 is a right side elevational view thereof, the left side elevational view being a mirror image thereof;
FIG. 4 is a top view thereof; and,
FIG. 5 is a bottom view thereof.

1 Claim, 5 Drawing Sheets

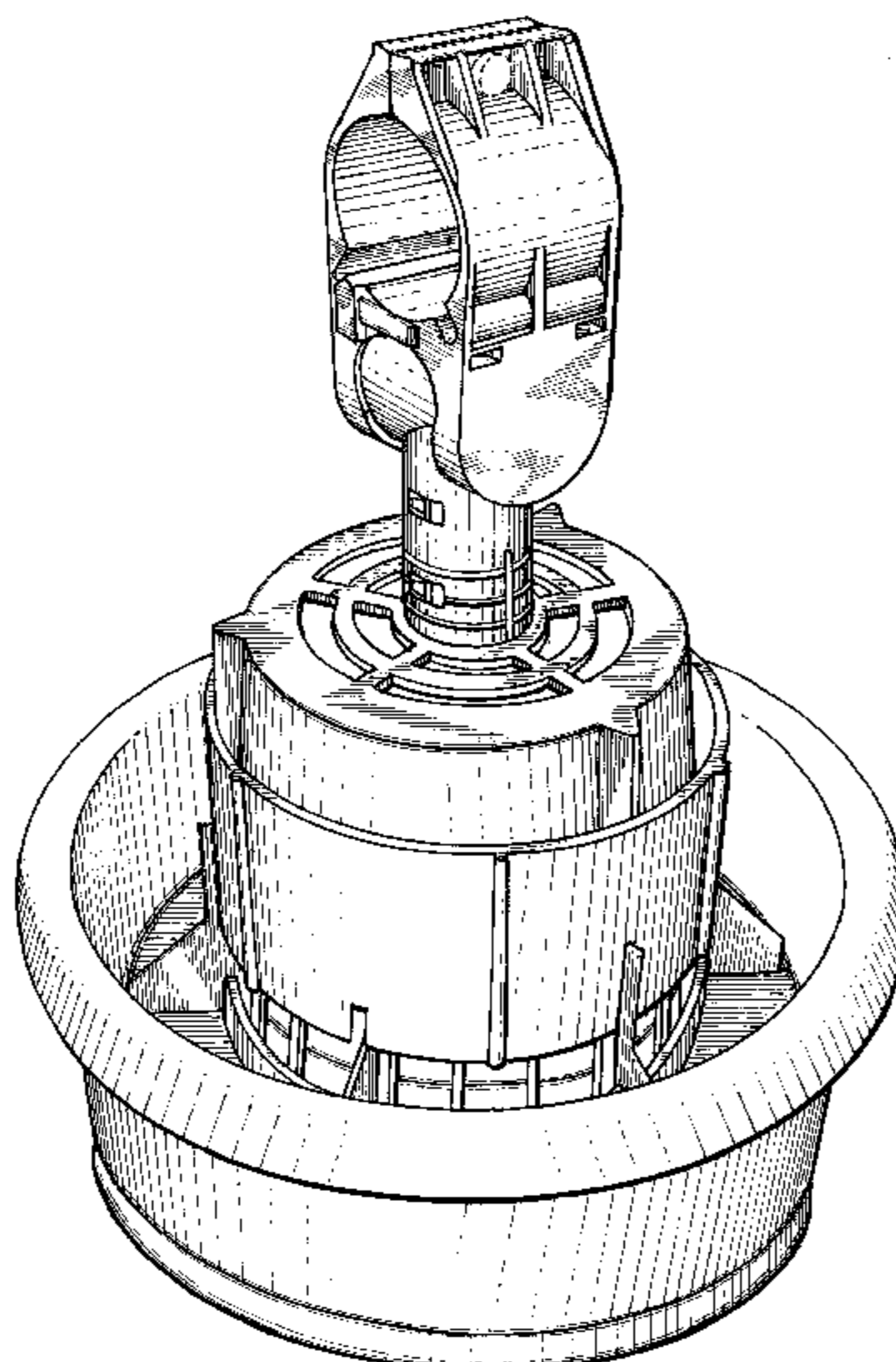


FIG. 1

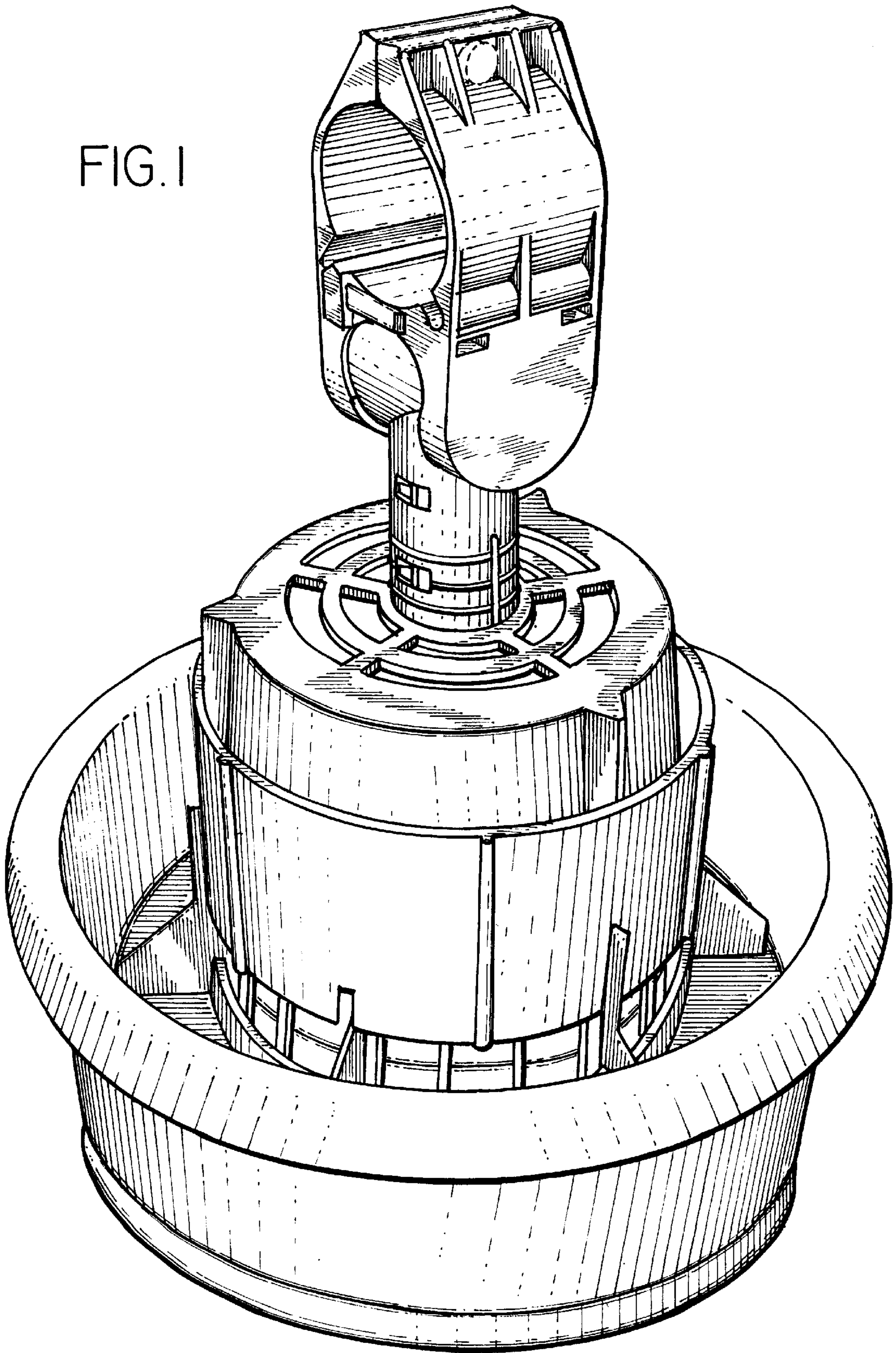


FIG.2

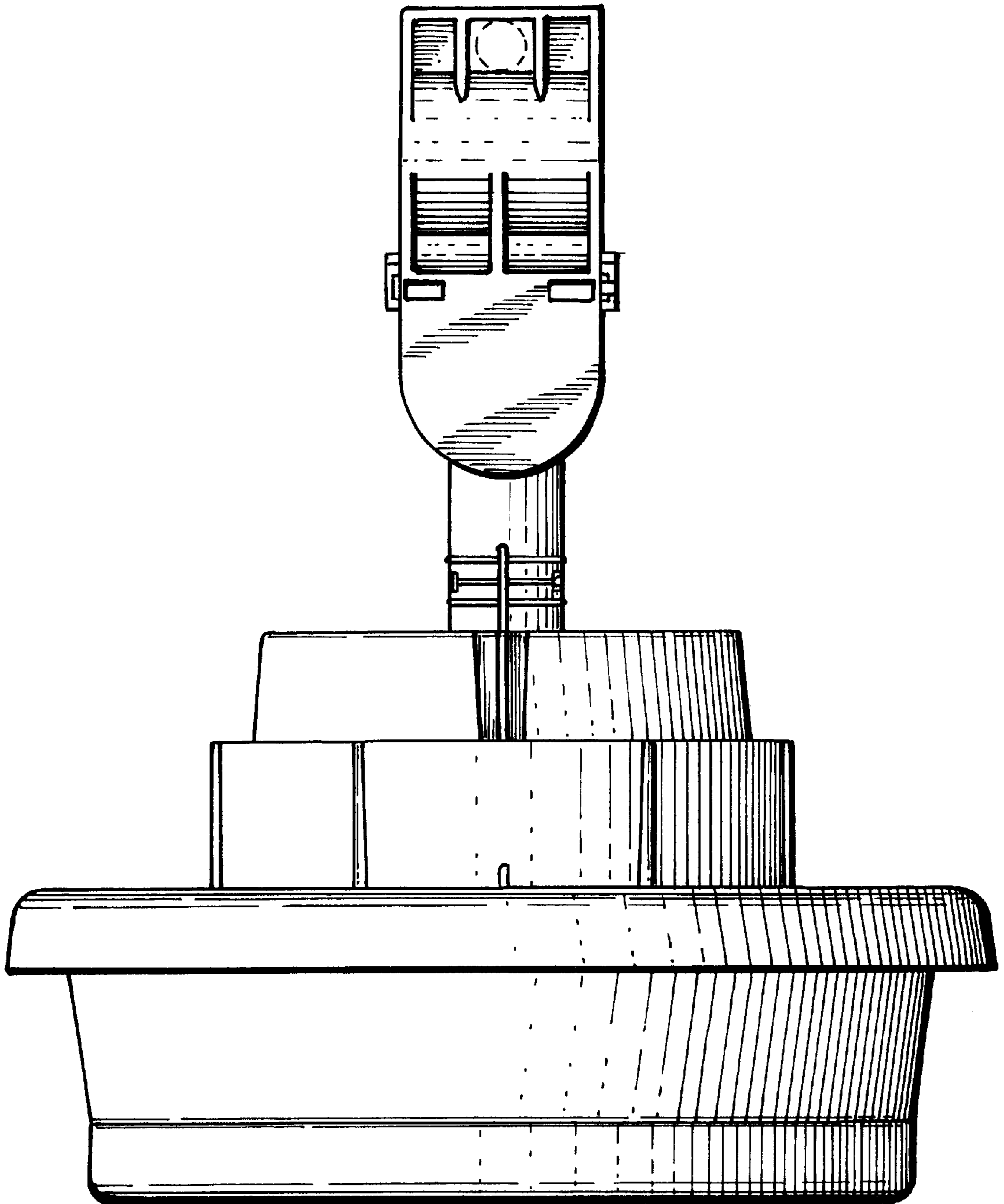


FIG. 3

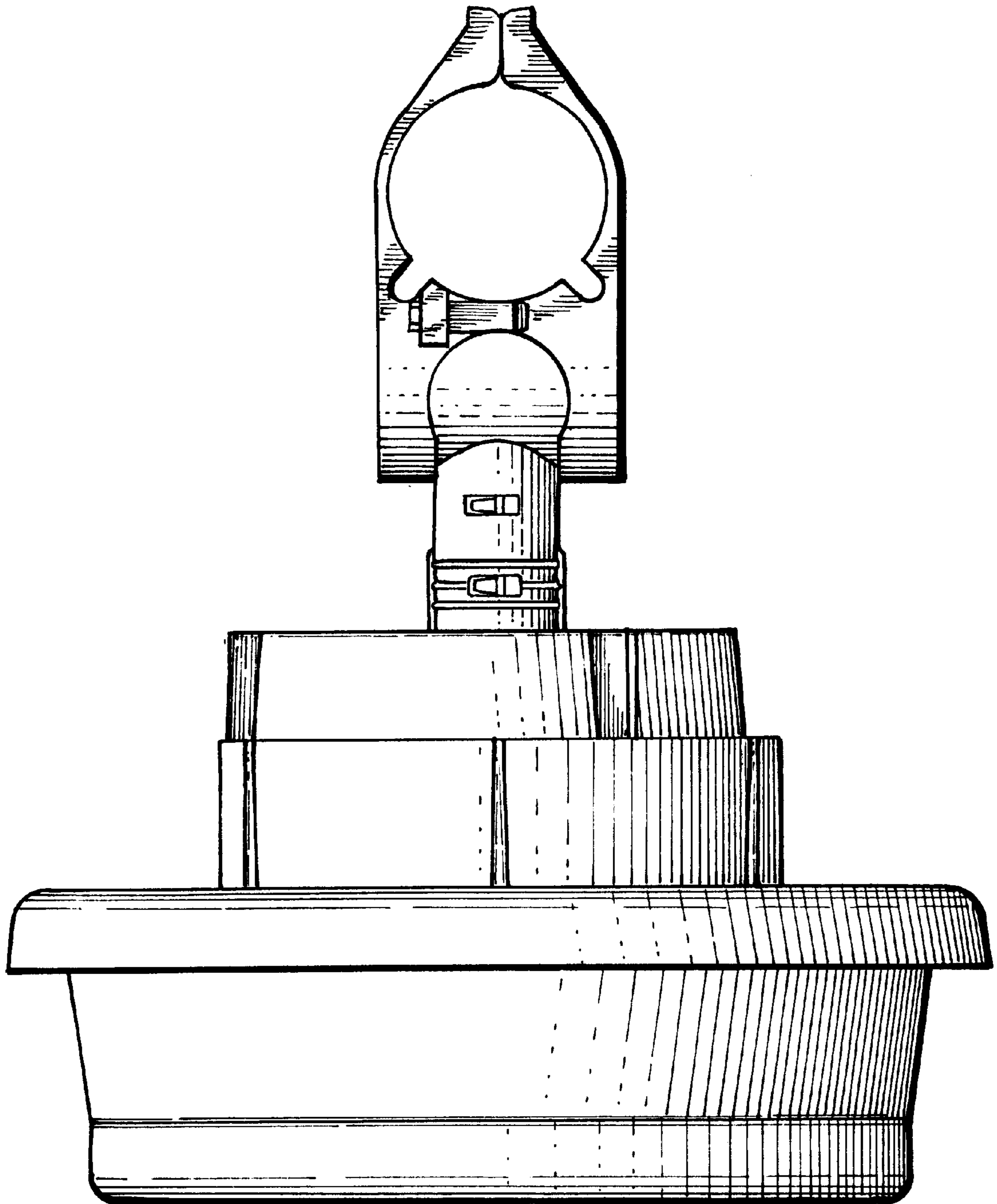


FIG.4

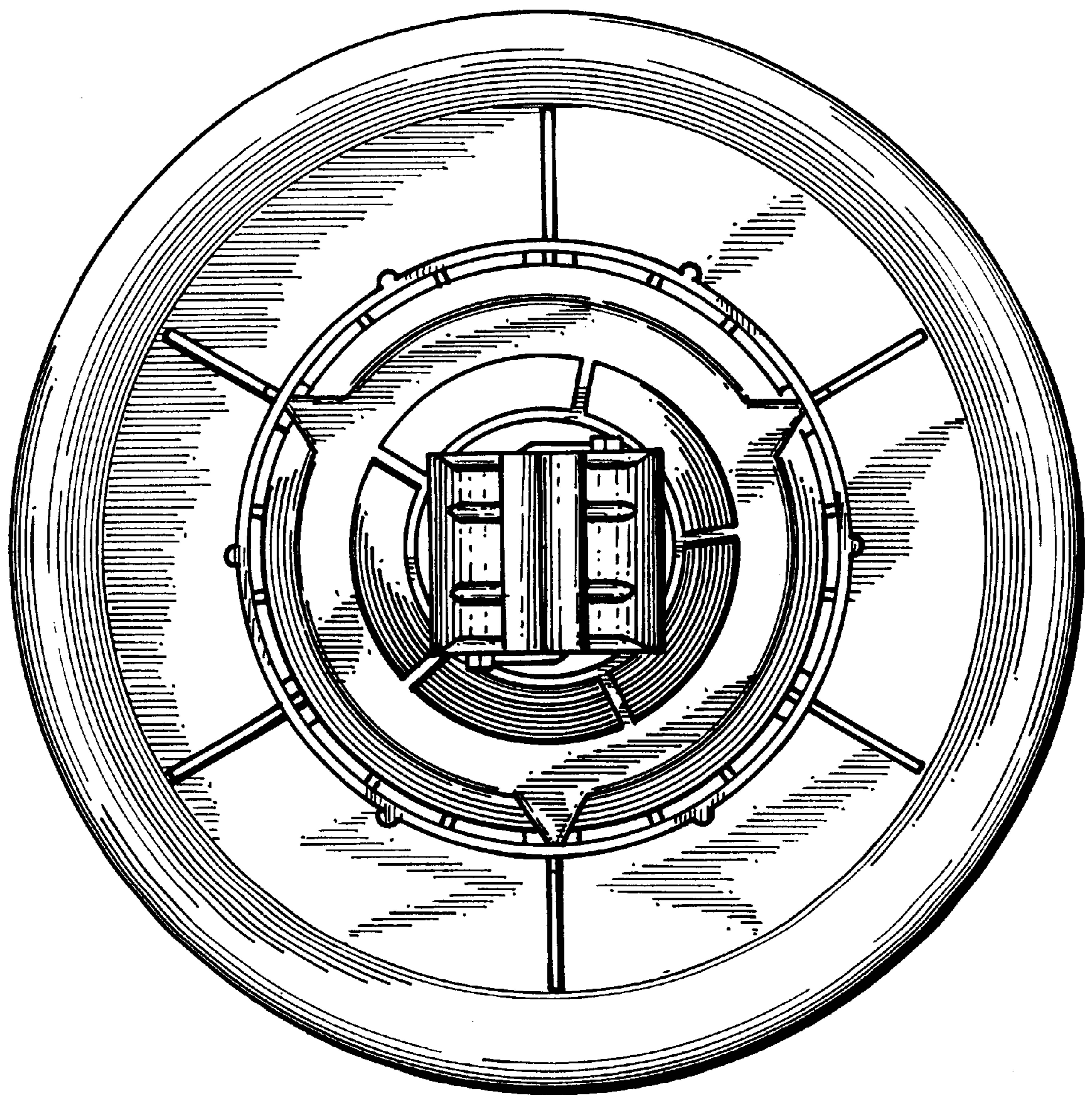


FIG. 5

