



US00D460837S

(12) **United States Design Patent**
Diaconu et al.

(10) **Patent No.:** **US D460,837 S**

(45) **Date of Patent:** **** Jul. 23, 2002**

(54) **BABY BOTTOM DRYING APPARATUS**

D345,439 S * 3/1994 Walker D28/13
5,737,847 A * 4/1998 Britton 34/97
5,940,980 A * 8/1999 Lee et al. 34/97

(76) Inventors: **Camelia Diaconu; Adrian Diaconu,**
both of 1284 Britain Dr., Lawrenceville,
GA (US) 30044

* cited by examiner

(**) Term: **14 Years**

Primary Examiner—Ted Shooman

Assistant Examiner—C Tuttle

(21) Appl. No.: **29/143,321**

(74) *Attorney, Agent, or Firm*—Dale J. Ream

(22) Filed: **Jun. 12, 2001**

(57) **CLAIM**

(51) **LOC (7) Cl.** **28-03**

The ornamental design for a baby bottom drying apparatus,
as shown and described.

(52) **U.S. Cl.** **D28/9; D28/12**

DESCRIPTION

(58) **Field of Search** D28/9, 12-17,
D28/54.1; D23/314, 317, 328, 332, 334,
335, 337; D21/619; 34/96-98; 392/380,
382-385

FIG. 1 is a perspective view of a baby bottom drying
apparatus showing our new design;
FIG. 2 is a right side view thereof;
FIG. 3 is a left side view thereof;
FIG. 4 is a front view thereof;
FIG. 5 is a rear view thereof;
FIG. 6 is a bottom view thereof; and,
FIG. 7 is a top view thereof.

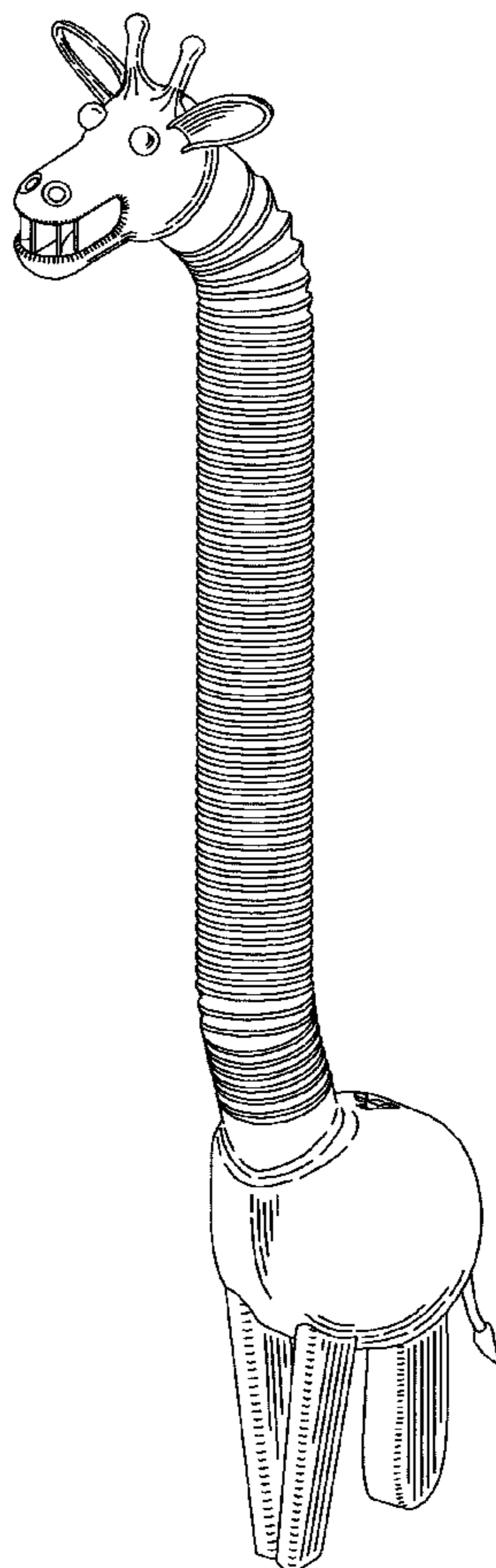
(56) **References Cited**

The hose is shown partially broken away in FIGS. 2-5 for
ease of illustration.

U.S. PATENT DOCUMENTS

D118,730 S * 1/1940 Sweetland D28/17
2,421,279 A * 5/1947 Marty 446/331
2,455,430 A * 12/1948 Luckhaupt 446/331
4,804,192 A * 2/1989 Matsumoto et al. 273/336
D305,464 S * 1/1990 Rickard et al. D28/12
D333,192 S * 2/1993 Walker D28/13

1 Claim, 5 Drawing Sheets



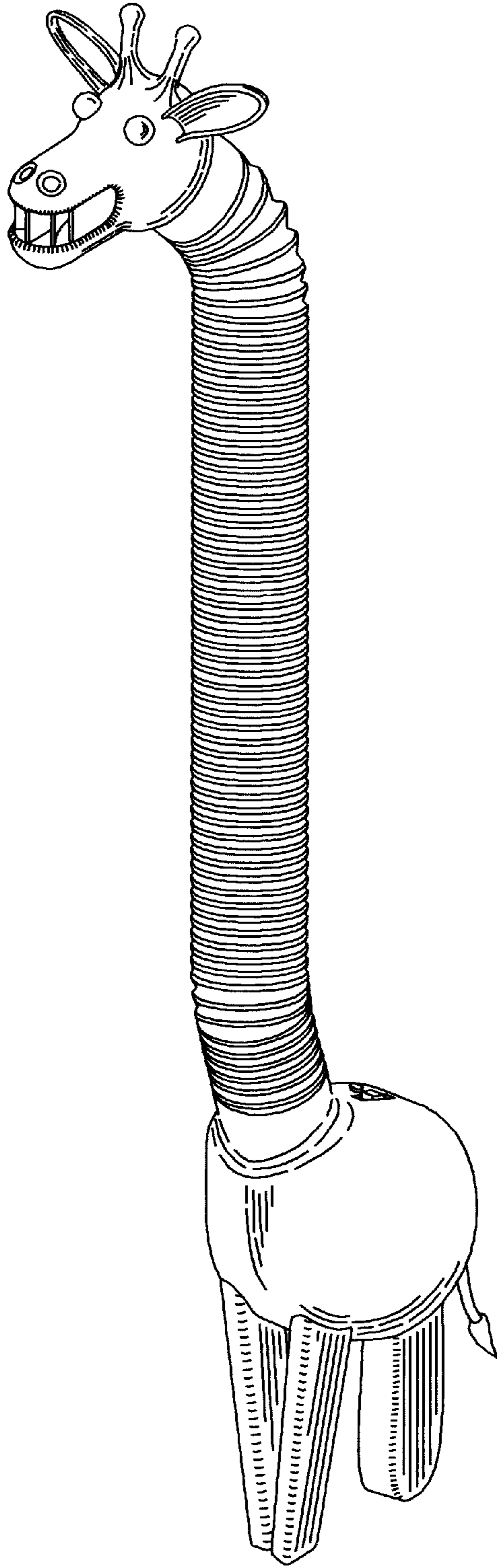


FIG. 1

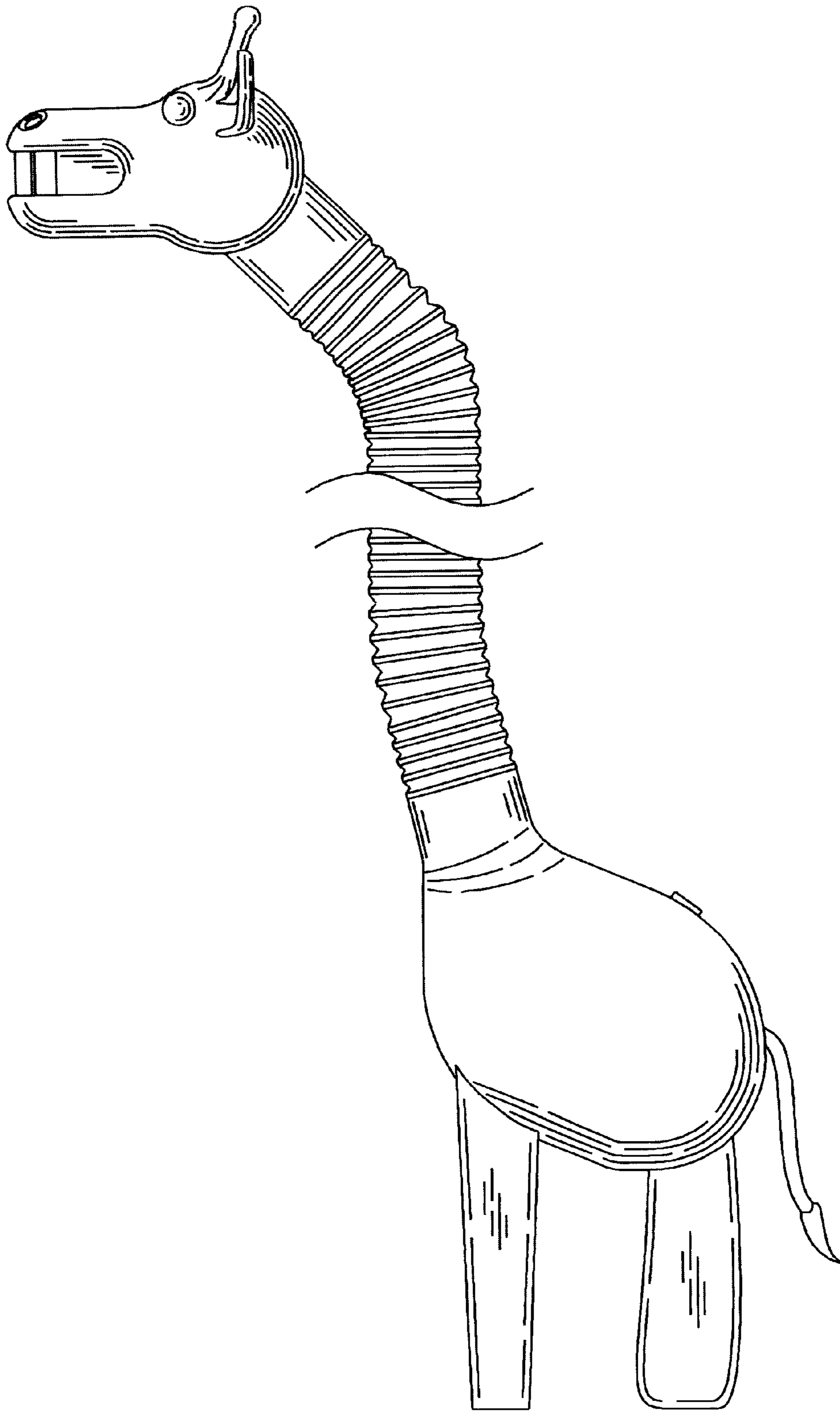


FIG. 2

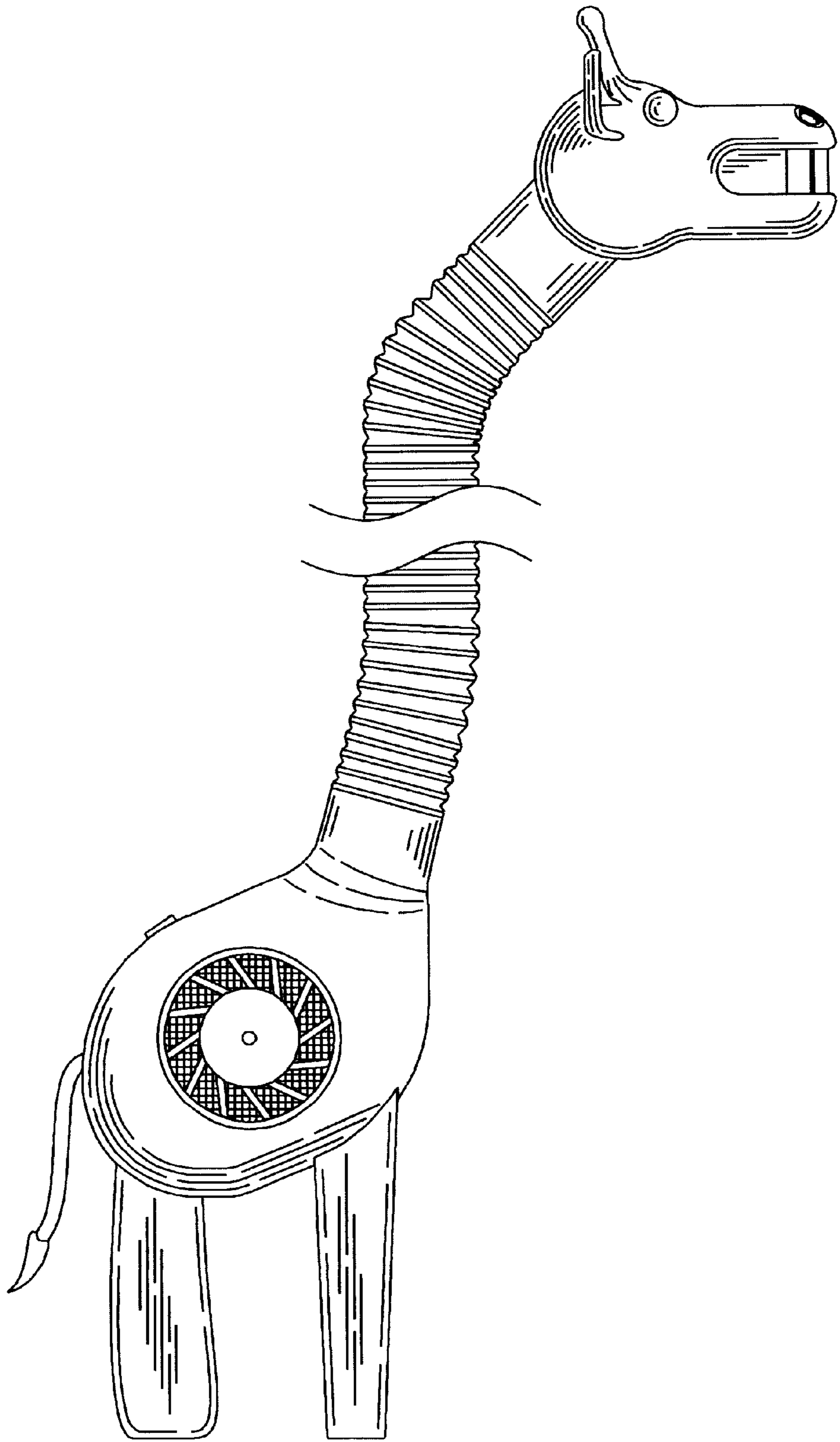


FIG. 3

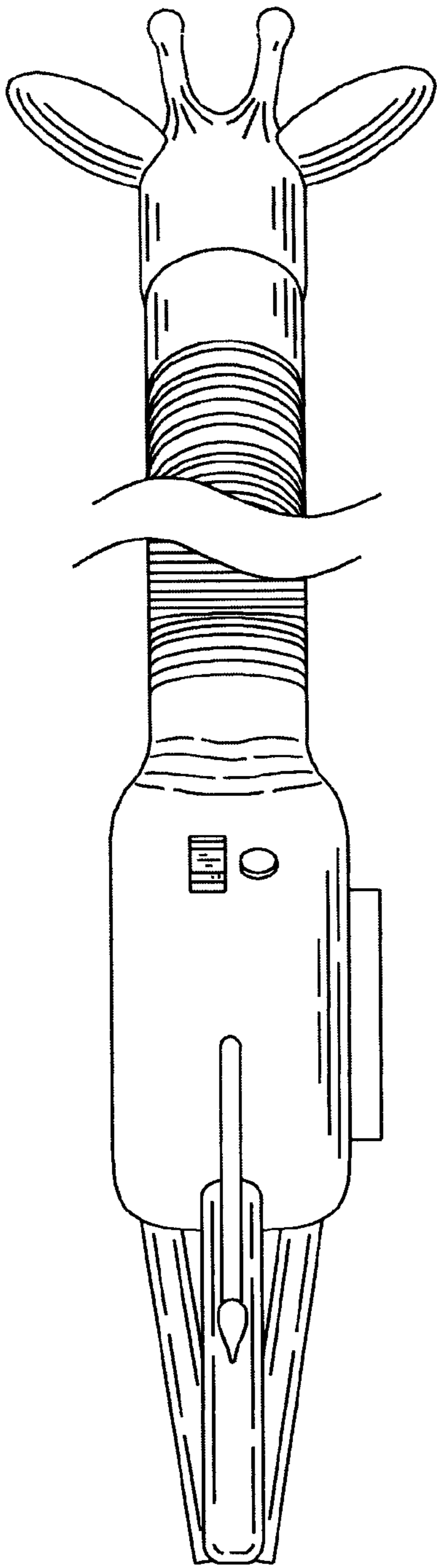


FIG. 5

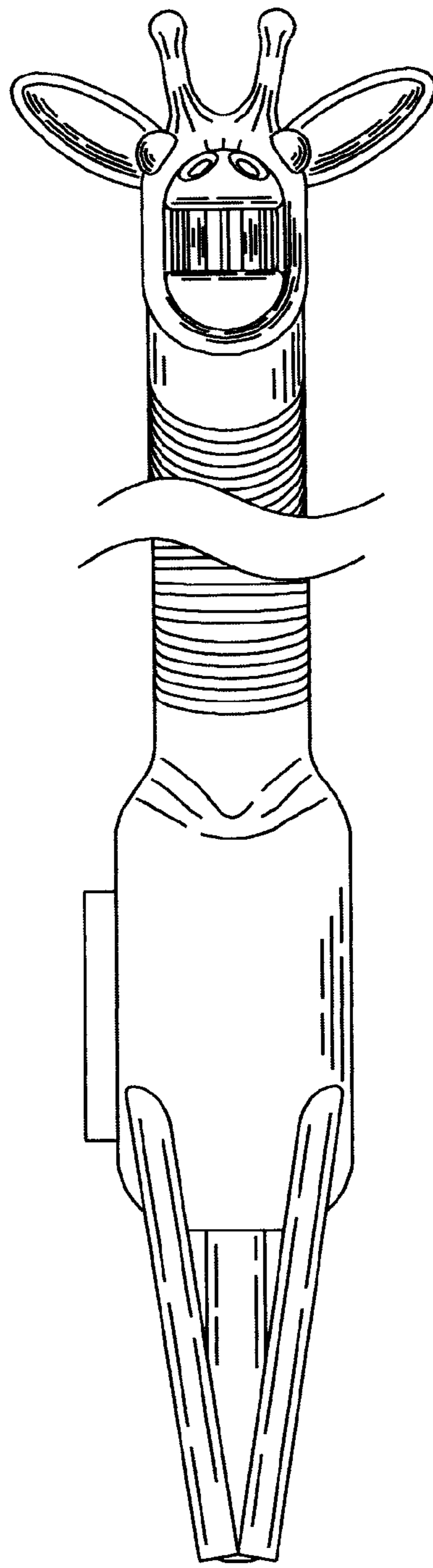


FIG. 4

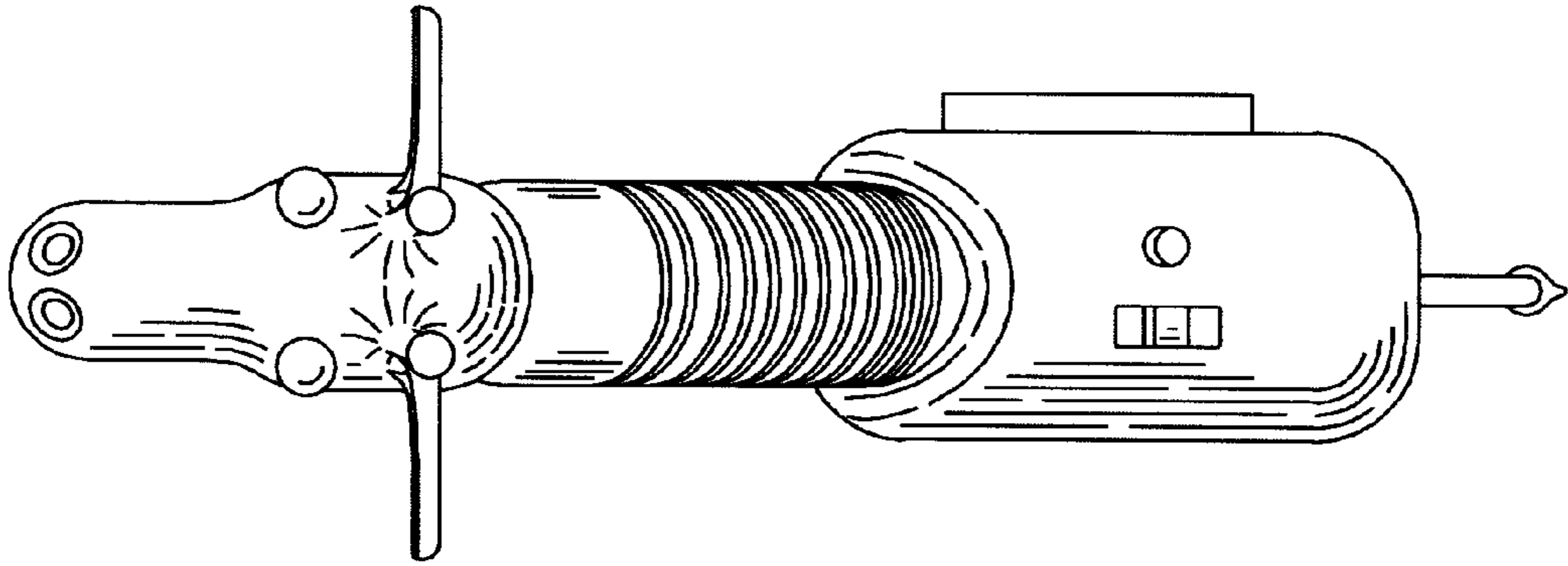


FIG. 7

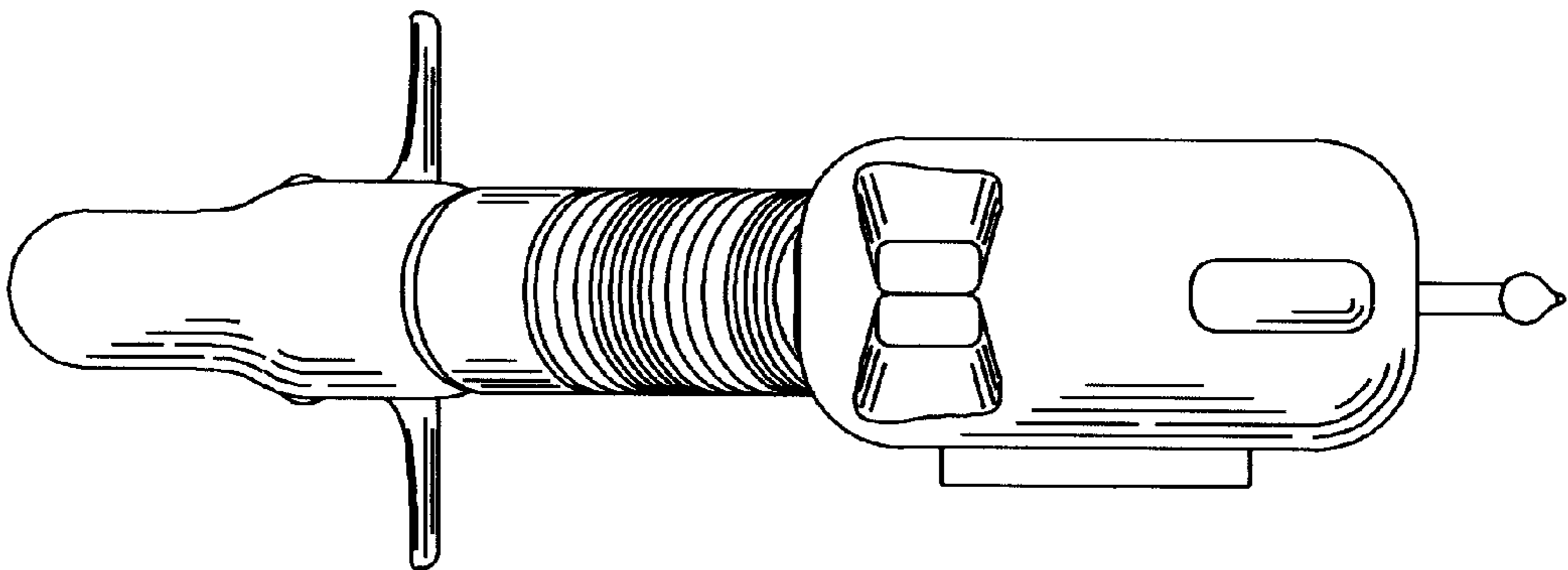


FIG. 6