



US00D460836S

(12) **United States Design Patent**  
**Swanson**

(10) **Patent No.:** **US D460,836 S**

(45) **Date of Patent:** **\*\* Jul. 23, 2002**

(54) **TWO TIER CHANDELIER**

(75) Inventor: **Dennis K. Swanson**, Woodland Hills, CA (US)

(73) Assignee: **Lamps Plus, Inc.**, Chatsworth, CA (US)

(\*\*) Term: **14 Years**

(21) Appl. No.: **29/146,149**

(22) Filed: **Aug. 3, 2001**

(51) **LOC (7) Cl.** ..... **26-03**

(52) **U.S. Cl.** ..... **D26/86; D26/81**

(58) **Field of Search** ..... D26/72, 80-92,  
D26/142-144, 152, 155; 362/147, 404-408,  
432

(56) **References Cited**

**U.S. PATENT DOCUMENTS**

D444,256 S \* 6/2001 Dolan ..... D26/86  
D446,336 S \* 8/2001 Dolan ..... D26/86

**OTHER PUBLICATIONS**

Designer's Fountain Catalog No. 111 (c)2000; p. 8;  
item#5659-TG.\*

\* cited by examiner

*Primary Examiner*—Alan P. Douglas

*Assistant Examiner*—Clare E. Heflin

(74) *Attorney, Agent, or Firm*—Fulbright & Jaworski L.L.P.

(57) **CLAIM**

The ornamental design of a two tier chandelier, substantially as shown and described.

**DESCRIPTION**

FIG. 1 is a front elevational view of a two tier chandelier showing the design of the present invention; the phantom portion is to illustrate the environment of the design;

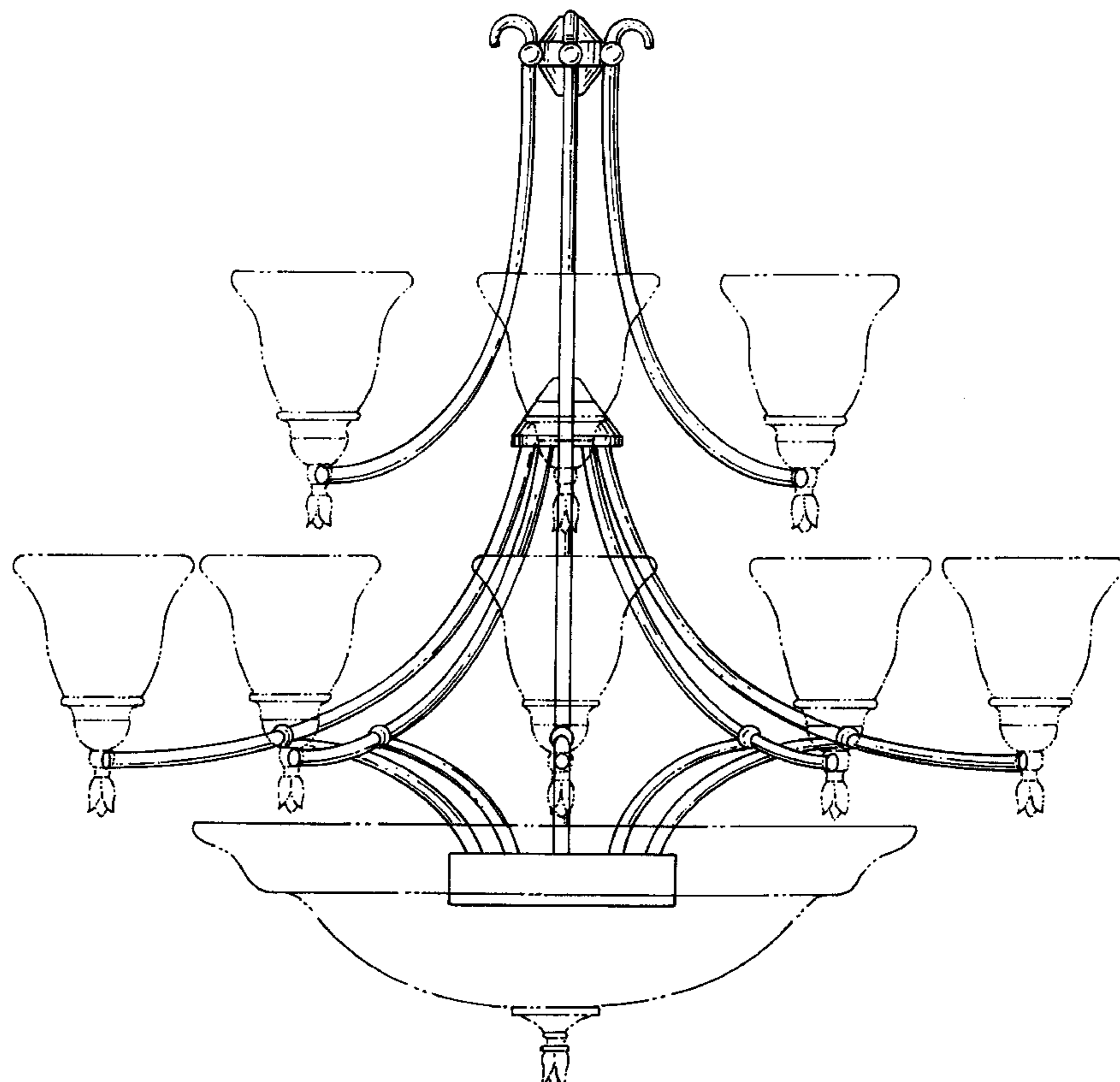
FIG. 2 is a front elevational view thereof with phantom portion removed;

FIG. 3 is a top plan view thereof;

FIG. 4 is a bottom view; and,

FIG. 5 is a top plan view of the bottom portion thereof taken about the line 5—5 of FIG. 2.

**1 Claim, 4 Drawing Sheets**



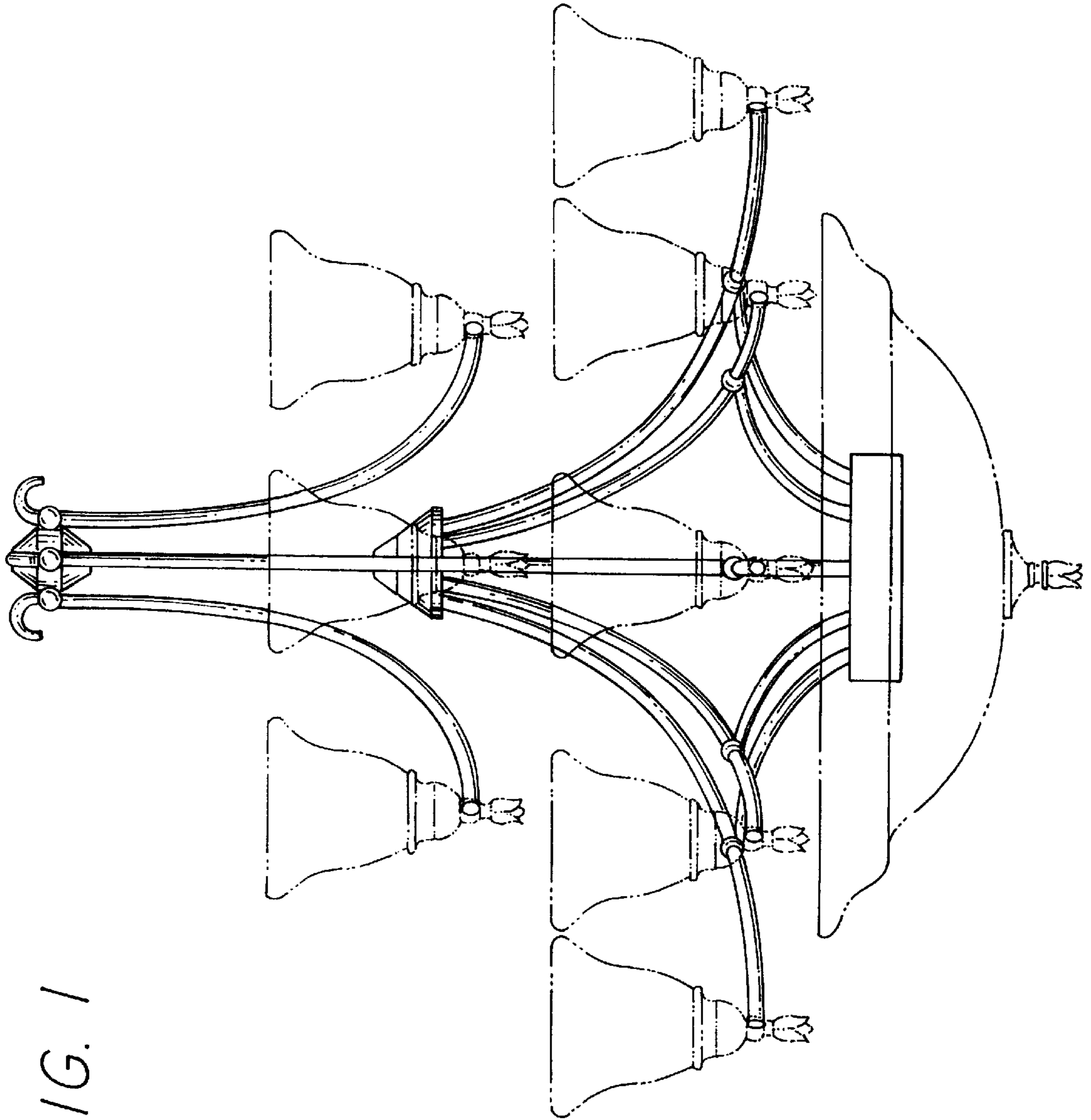


FIG. 1

FIG. 2

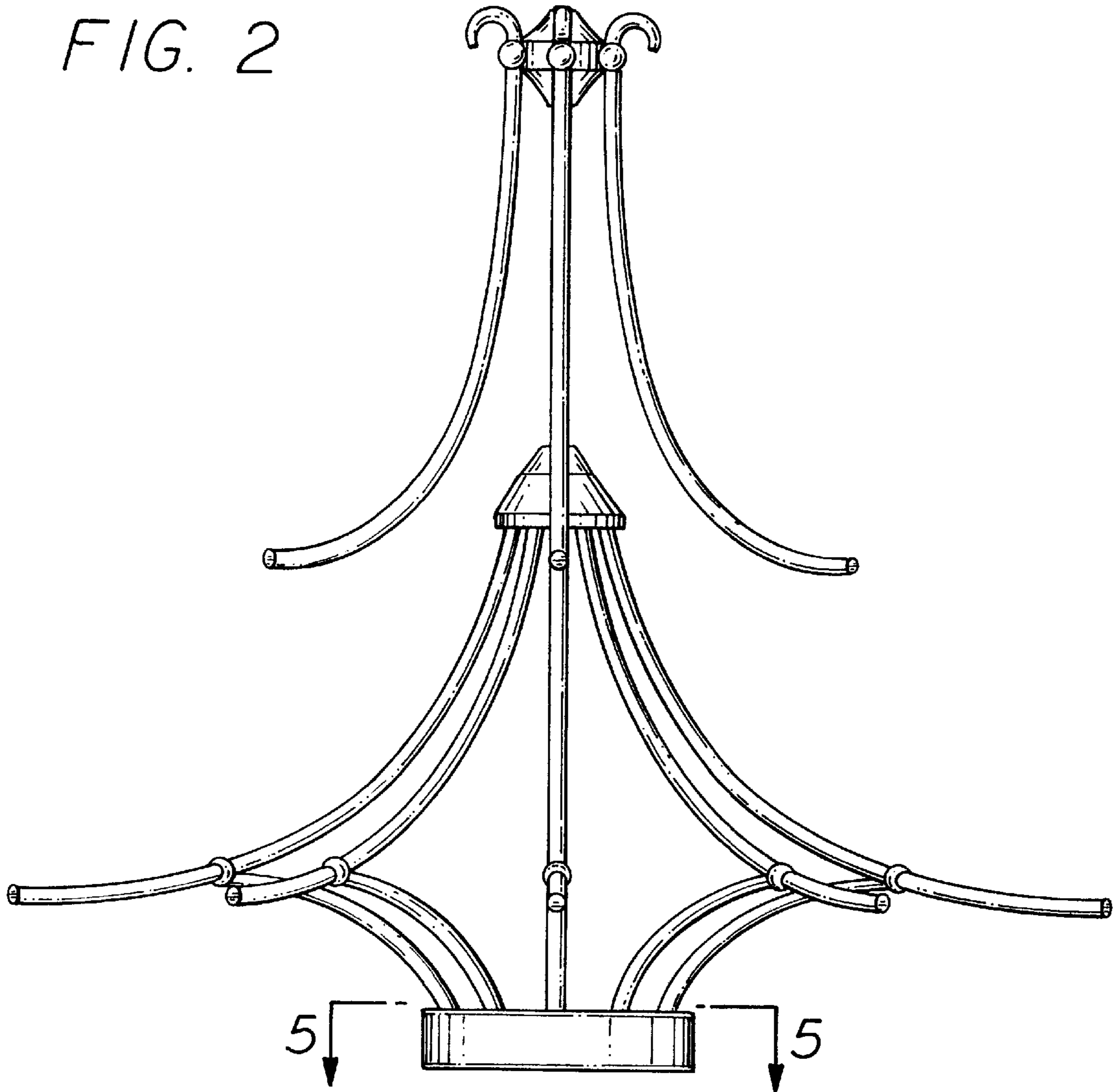


FIG. 5

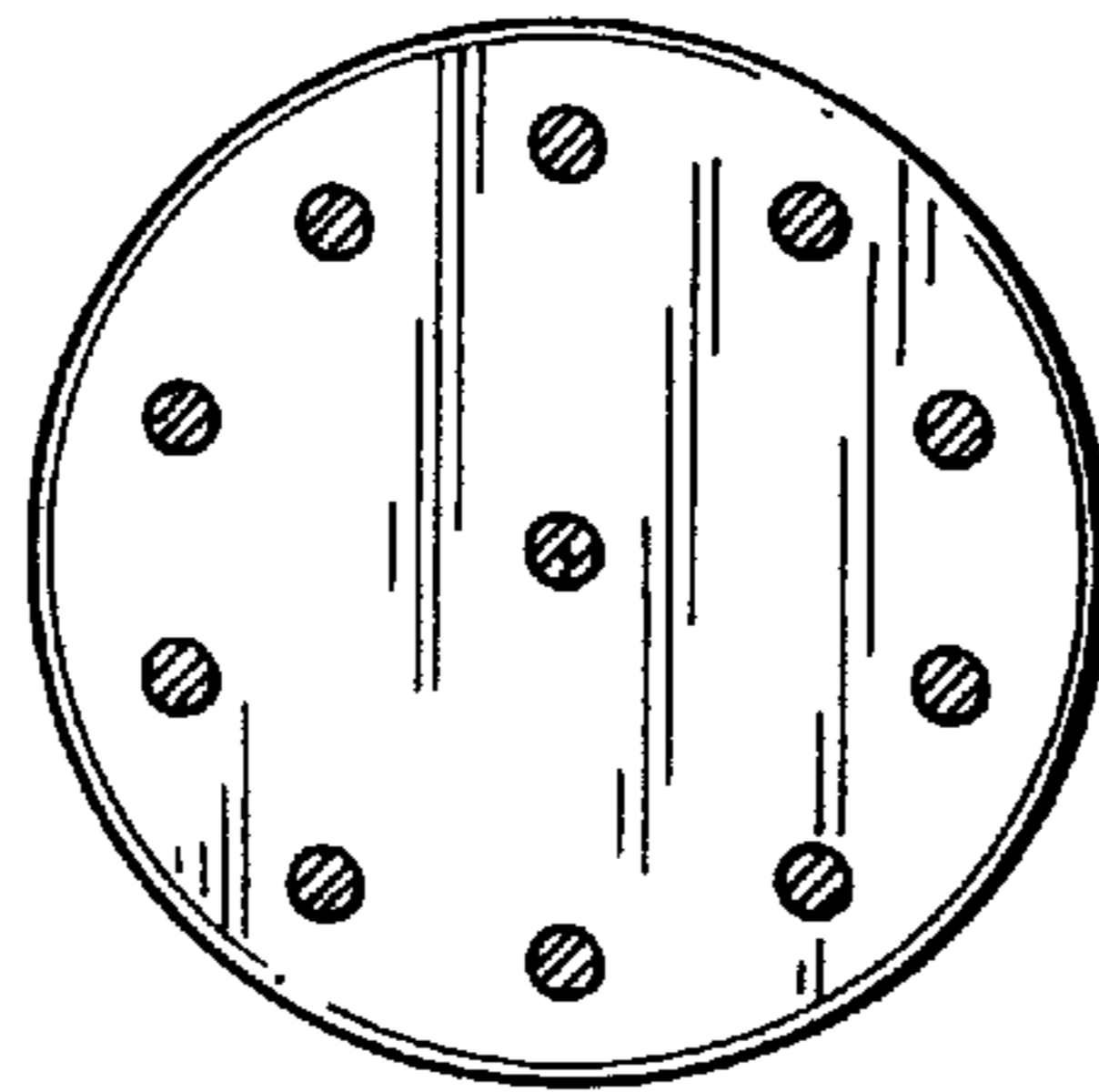


FIG. 3

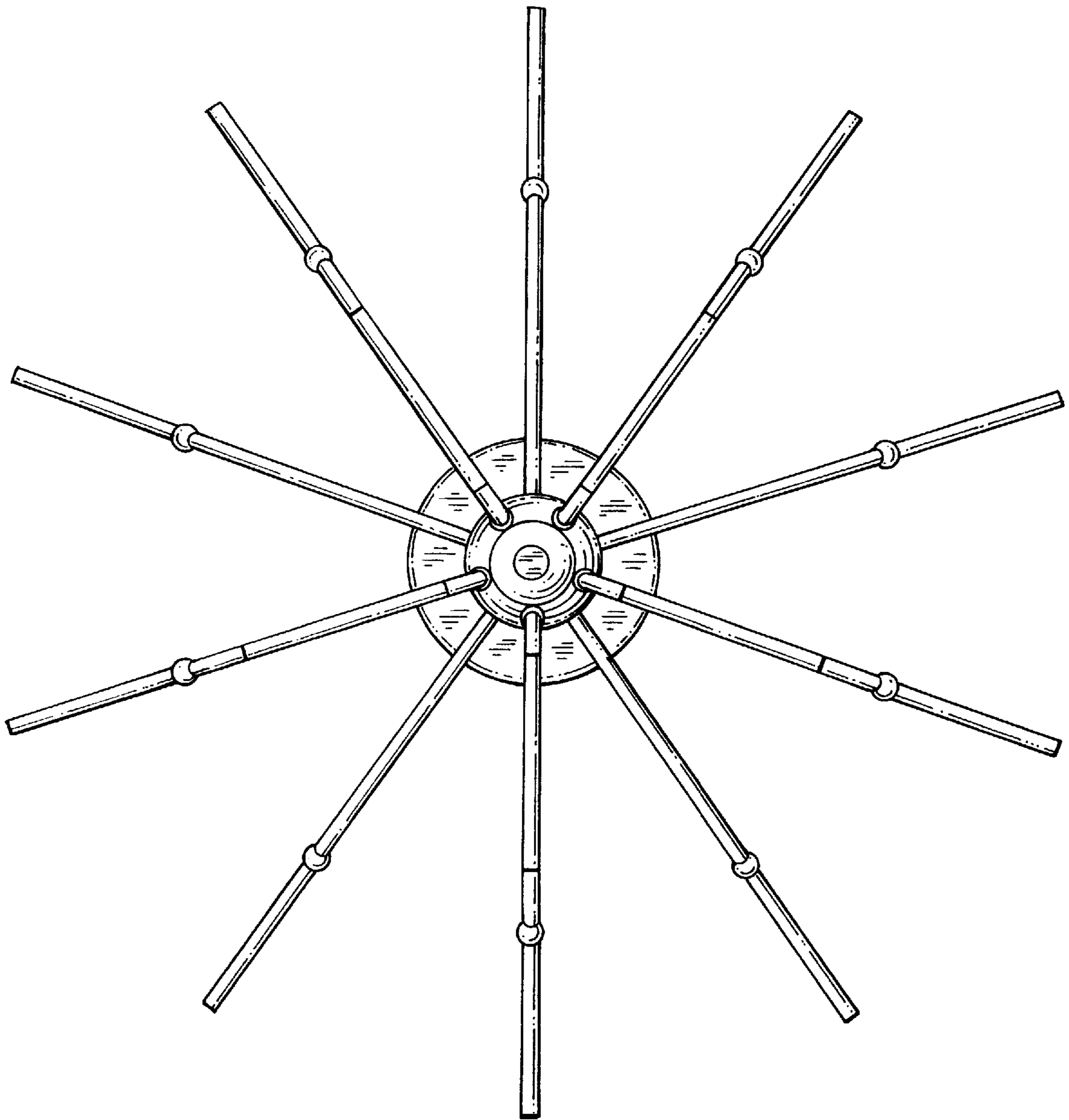


FIG. 4

