



US00D460835S

(12) **United States Design Patent**
Chen

(10) **Patent No.:** **US D460,835 S**

(45) **Date of Patent:** **** Jul. 23, 2002**

(54) **WALL FIXTURE**

D364,478 S * 11/1995 Pesau D26/76
D383,238 S * 9/1997 Chen D26/87

(76) Inventor: **Tusng-Wen Chen**, No. 6, Tinghu 2nd St., Kweishan Hsiang, Taoyuan Hsien (TW)

* cited by examiner

(**) Term: **14 Years**

Primary Examiner—Alan P. Douglas

Assistant Examiner—Clare E. Heflin

(74) *Attorney, Agent, or Firm*—Rosenberg, Klein & Lee

(21) Appl. No.: **29/146,605**

(57) **CLAIM**

(22) Filed: **Aug. 14, 2001**

The ornamental design for a wall fixture, as shown and described.

(51) **LOC (7) Cl.** **26-03**

(52) **U.S. Cl.** **D26/85; D26/75**

(58) **Field of Search** D26/72-92; 362/347, 362/361, 217-223, 214, 432, 404-408, 362, 311, 297

DESCRIPTION

FIG. 1 is a perspective view of a wall fixture showing my new design;

FIG. 2 is a top plan view thereof;

FIG. 3 is a bottom plan view thereof;

FIG. 4 is a front elevational view thereof;

FIG. 5 is a rear elevational view thereof;

FIG. 6 is a left side elevational view thereof; and,

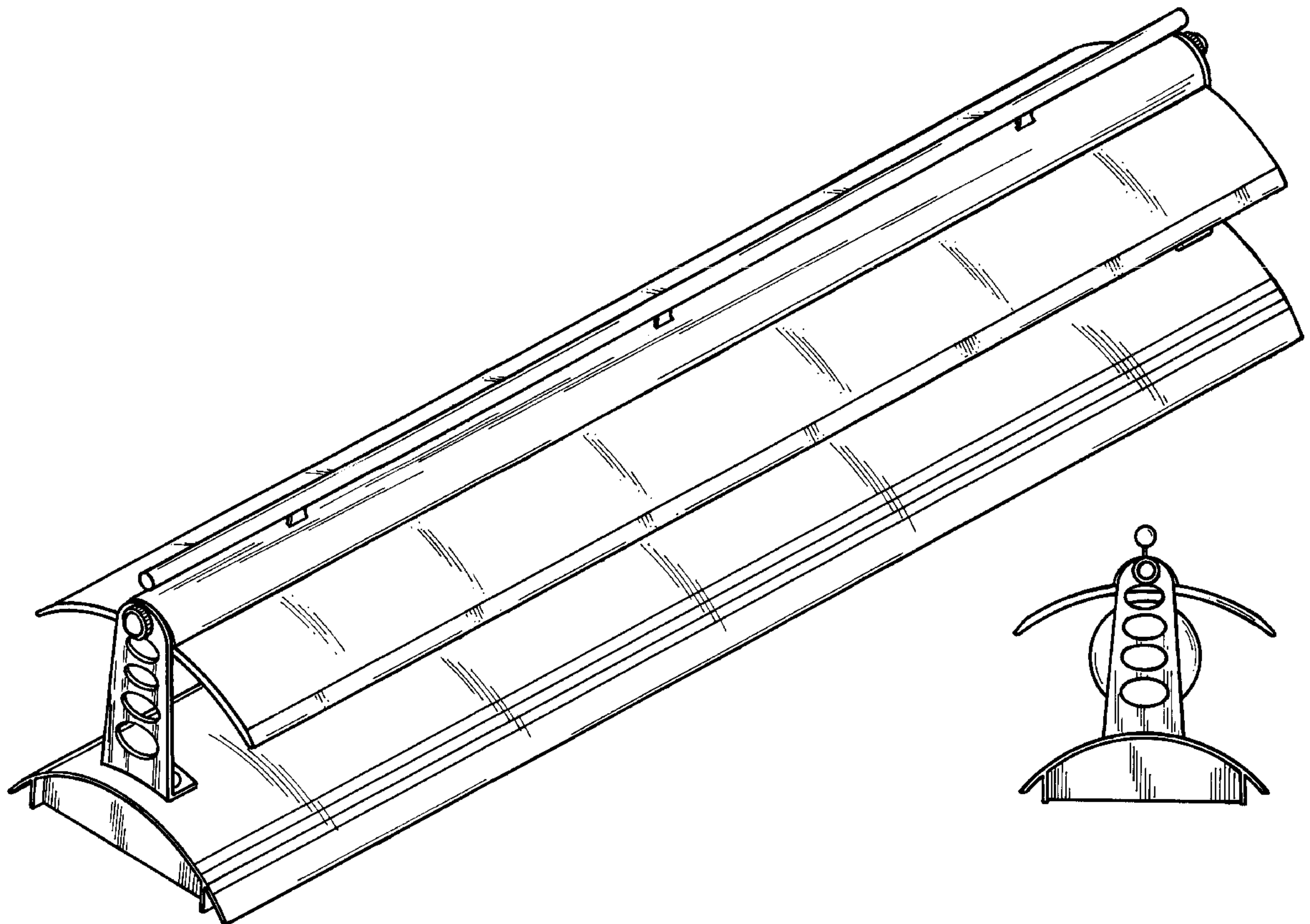
FIG. 7 is a right side elevational view thereof.

(56) **References Cited**

U.S. PATENT DOCUMENTS

- D132,982 S * 7/1942 Beck
- D133,986 S * 10/1942 Gordon
- 4,642,741 A * 2/1987 Cohn 362/320
- 5,097,401 A * 3/1992 Eppler 362/298

1 Claim, 4 Drawing Sheets



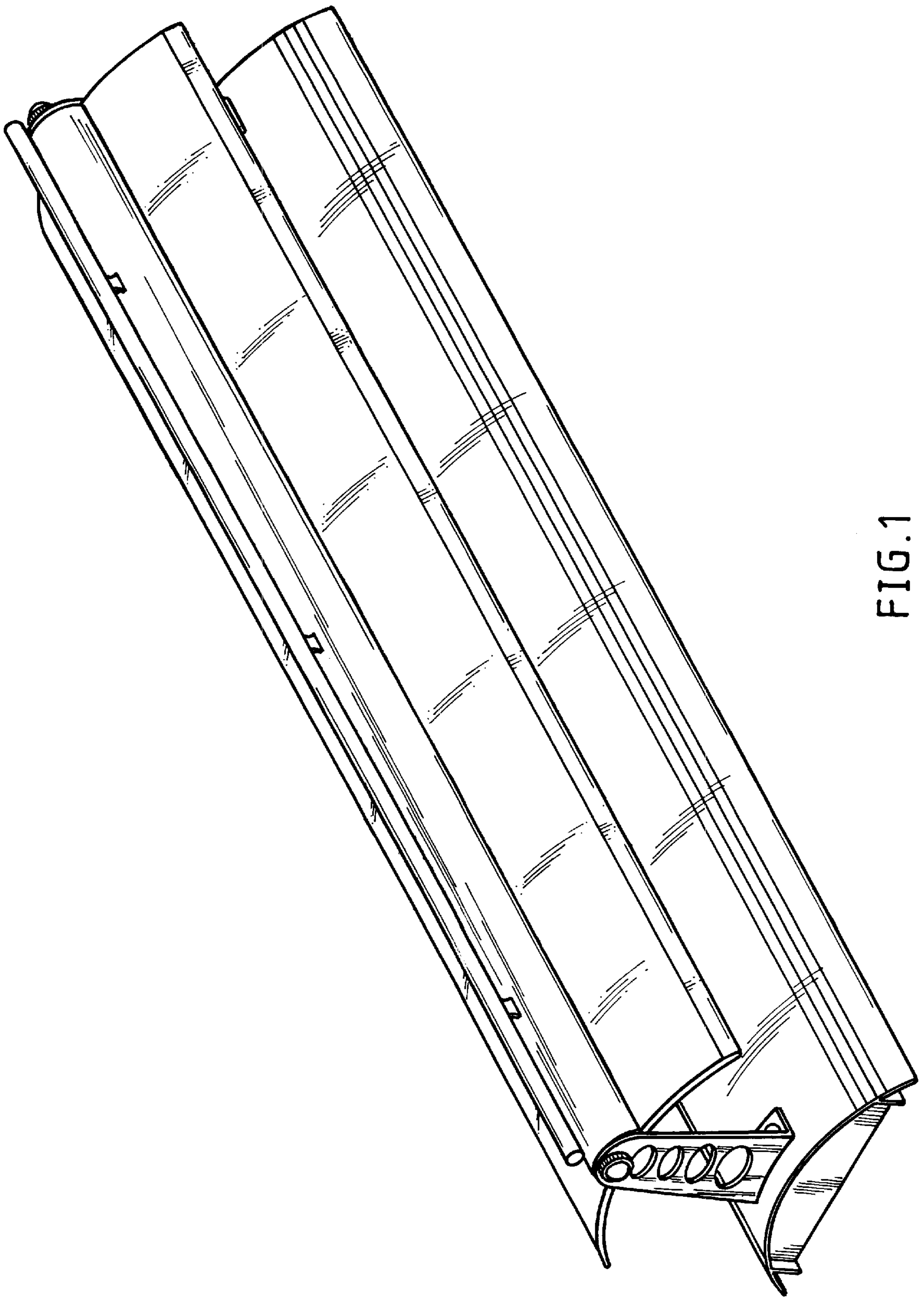


FIG. 1

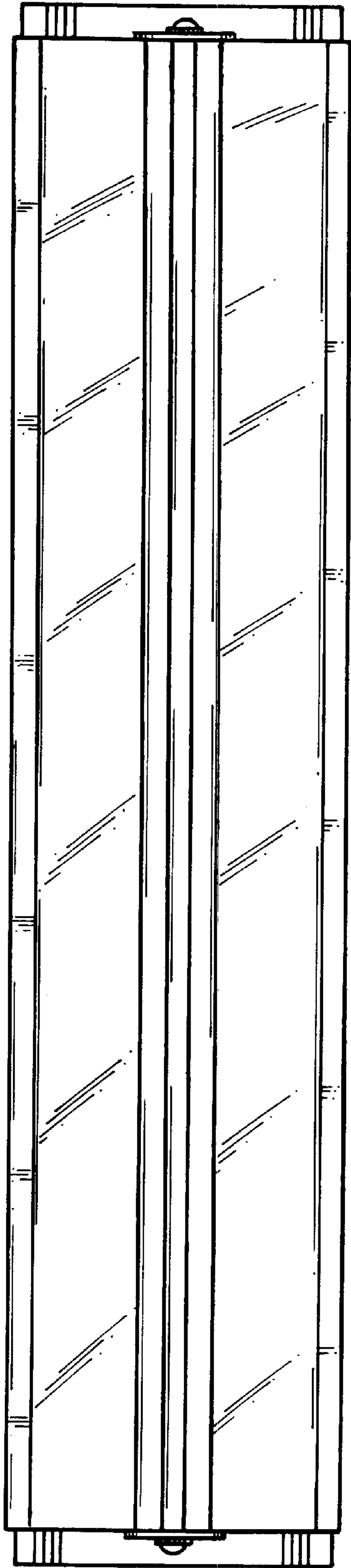


FIG. 2

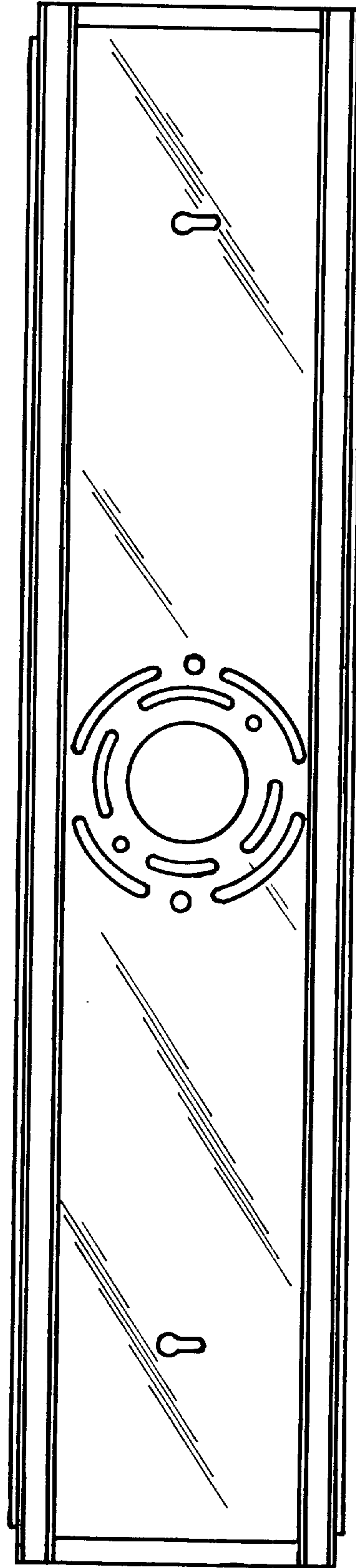


FIG. 3

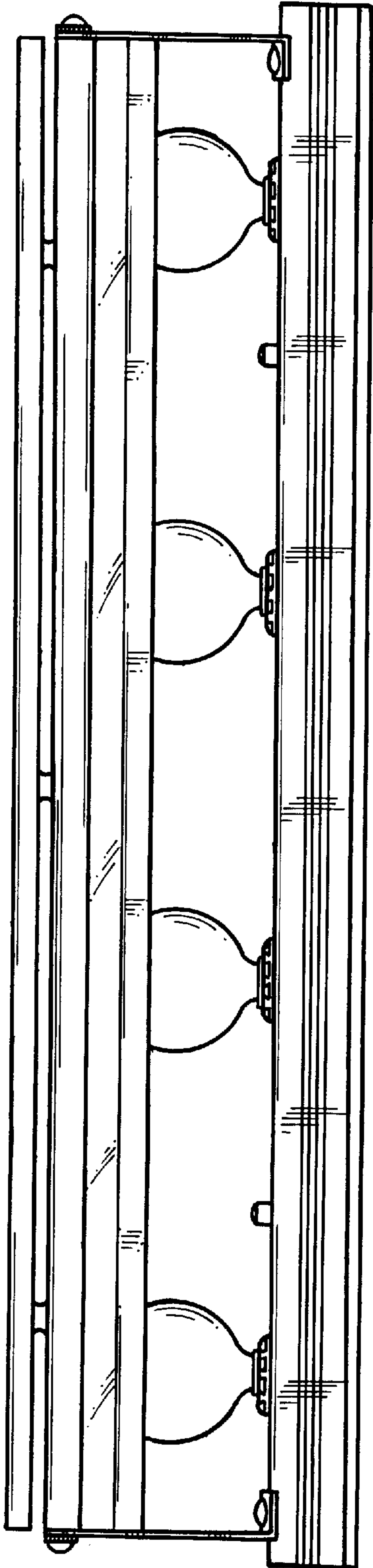


FIG. 4

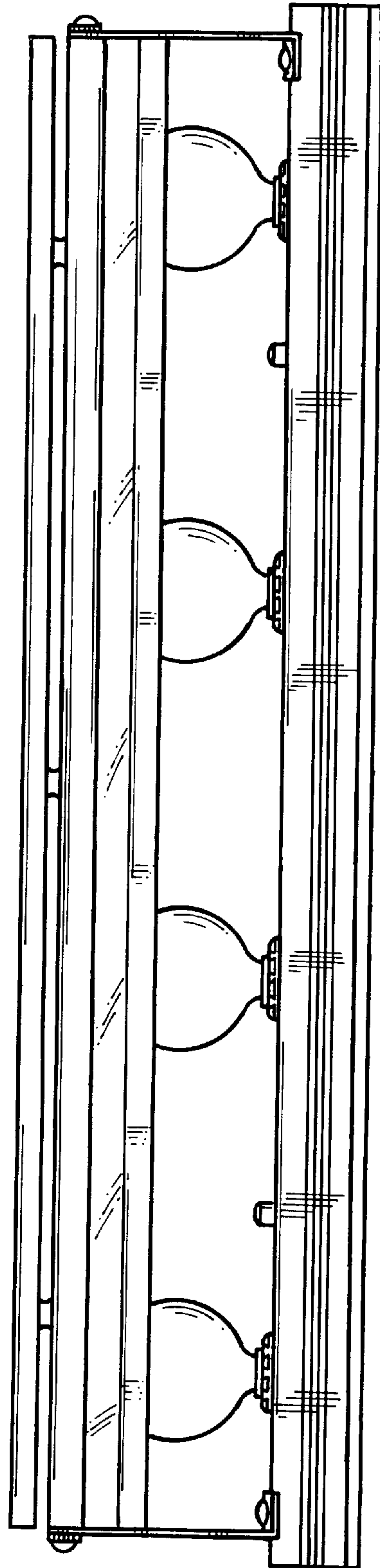


FIG. 5

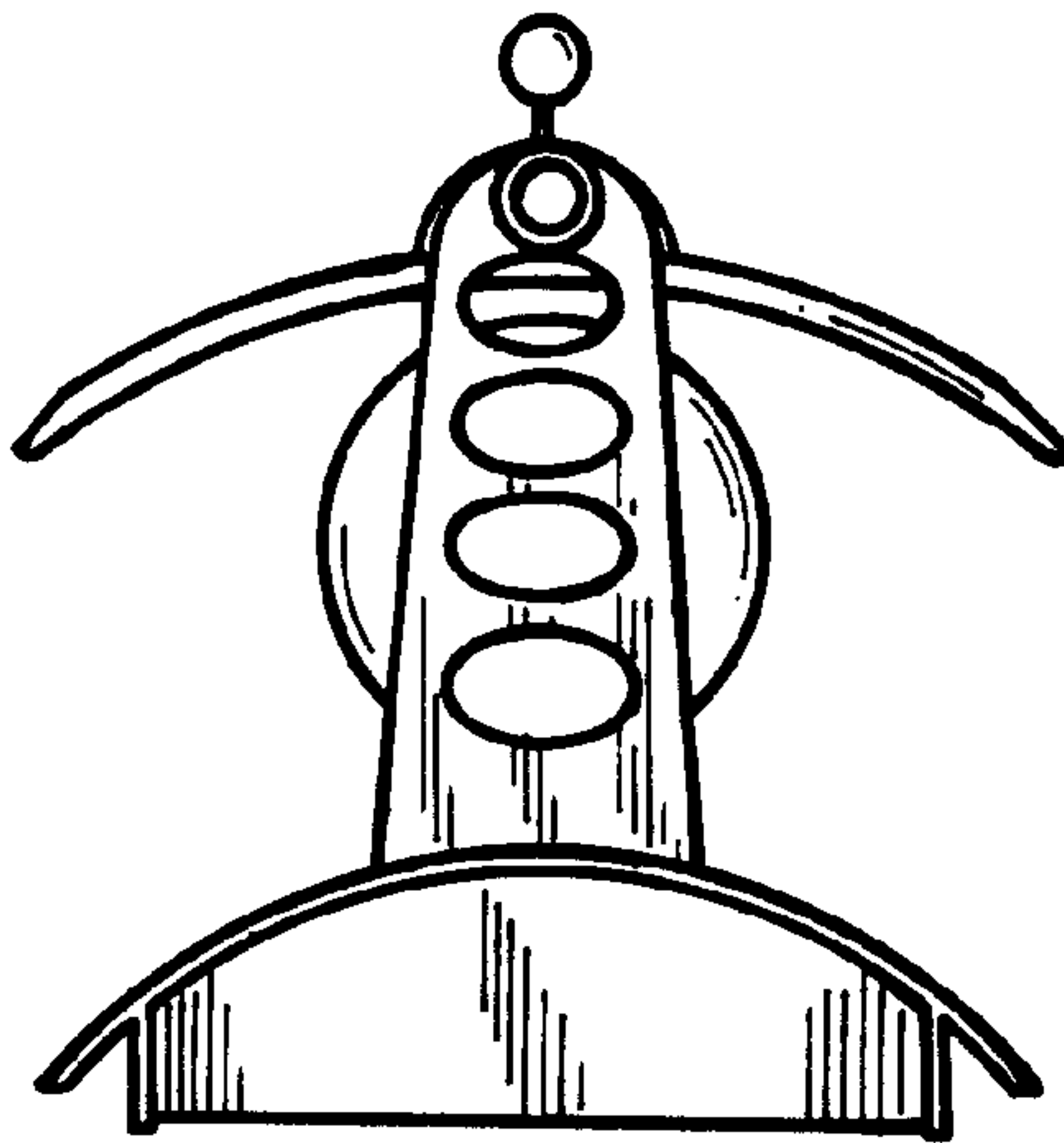


FIG. 6

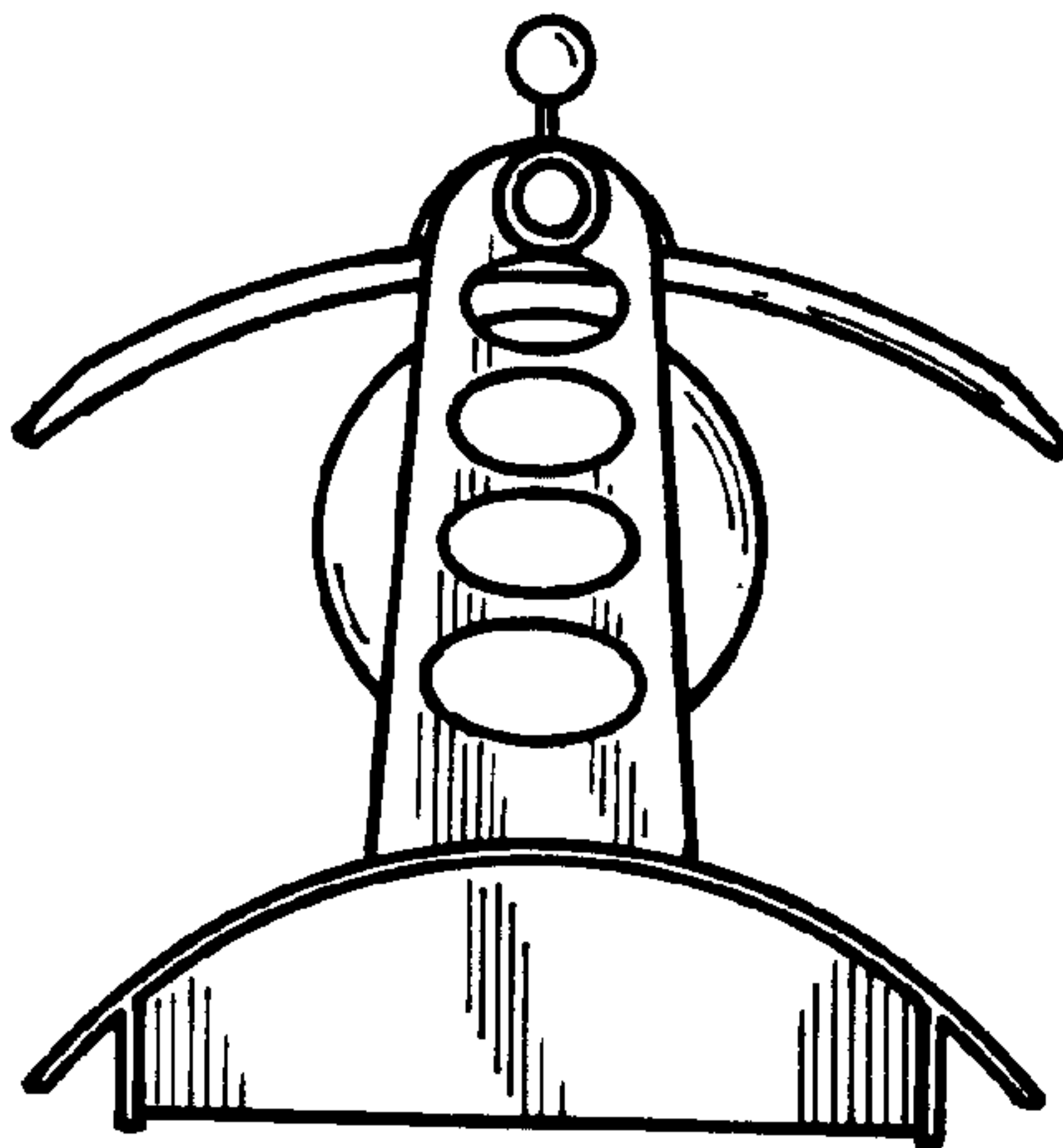


FIG. 7