



US00D460834S

(12) **United States Design Patent**  
**Rahn**

(10) **Patent No.:** **US D460,834 S**

(45) **Date of Patent:** **\*\* Jul. 23, 2002**

(54) **ELECTRIC LIGHTING FIXTURE**

(75) Inventor: **Erhard Rahn**, Berlin (DE)

(73) Assignee: **Franz Sill GmbH** (DE)

(\*\*) Term: **14 Years**

(21) Appl. No.: **29/141,514**

(22) Filed: **May 8, 2001**

(30) **Foreign Application Priority Data**

Jan. 17, 2001 (DE) ..... 4 01 00 528

(51) **LOC (7) Cl.** ..... **26-03**

(52) **U.S. Cl.** ..... **D26/72**

(58) **Field of Search** ..... D26/72-92, 147,  
D26/404-408, 432, 269, 287, 371, 372,  
390, 217, 220, 275, 418, 427

(56) **References Cited**

**U.S. PATENT DOCUMENTS**

- D213,580 S \* 3/1969 Osborne
- D302,594 S \* 8/1989 Charet et al. .... D26/60
- D360,047 S \* 7/1995 Zimmerman et al. .... D26/67

**OTHER PUBLICATIONS**

Form, light fixture displayed on p. 4.\*  
Progressive Architecture, Feb. 1986, all spotlights with  
transformers shown on p. 13WW.\*

\* cited by examiner

*Primary Examiner*—Alan P. Douglas

*Assistant Examiner*—Clare E. Heflin

(74) *Attorney, Agent, or Firm*—McGlew and Tuttle, P.C.

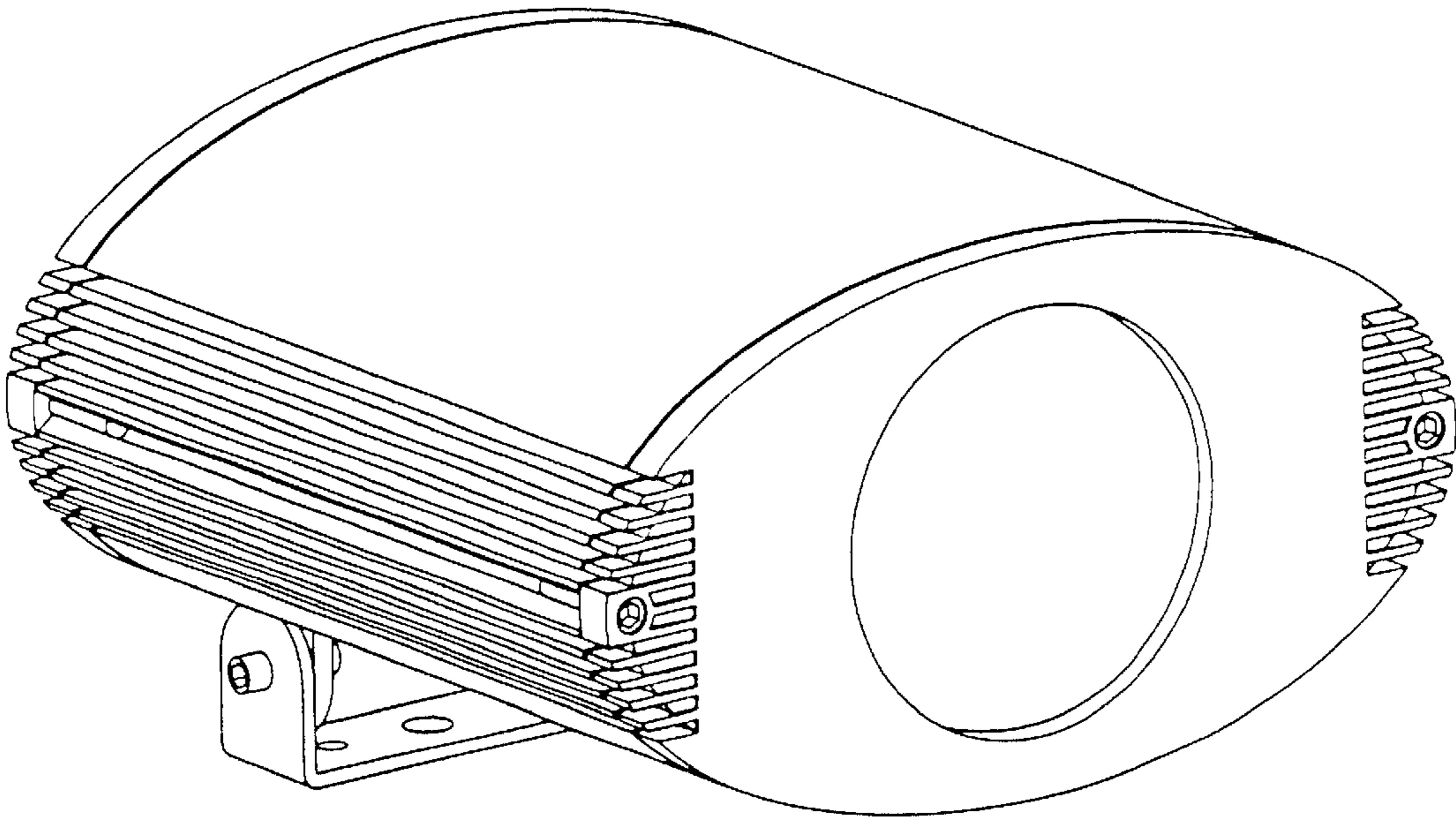
(57) **CLAIM**

The ornamental design for an electric lighting fixture, as  
shown and described.

**DESCRIPTION**

FIG. 1 is a perspective rear side view of my design;  
FIG. 2 is perspective front view from below of my design;  
FIG. 3 is an underside/bottom view of my design;  
FIG. 4 is a left side view of my design;  
FIG. 5 is an upper side/top view of my design;  
FIG. 6 is a right side view of my design;  
FIG. 7 is a front view of my design;  
FIG. 8 is a rear side view of my design; and,  
FIG. 9 is a perspective front side view of my design.

**1 Claim, 6 Drawing Sheets**



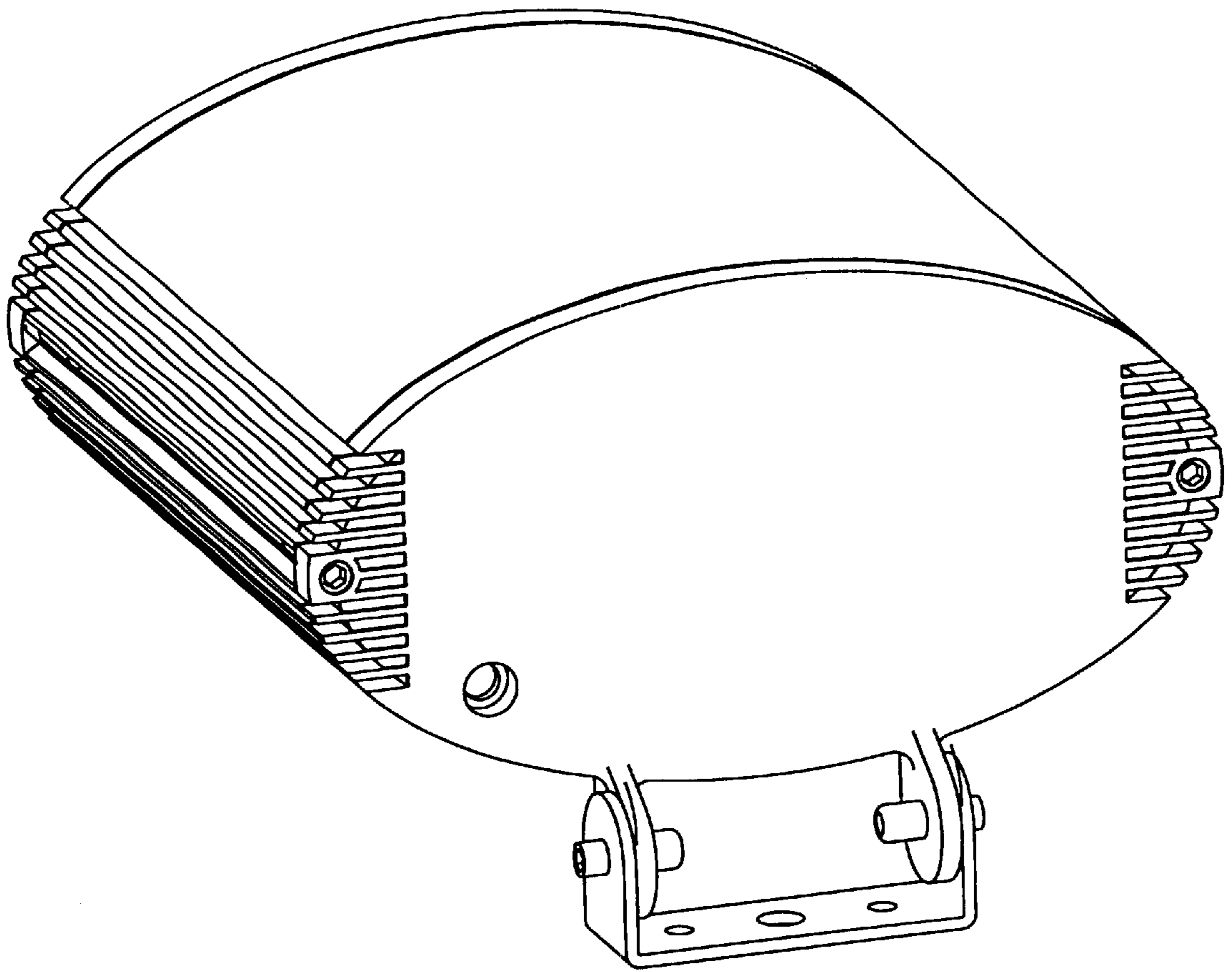


Fig. 1

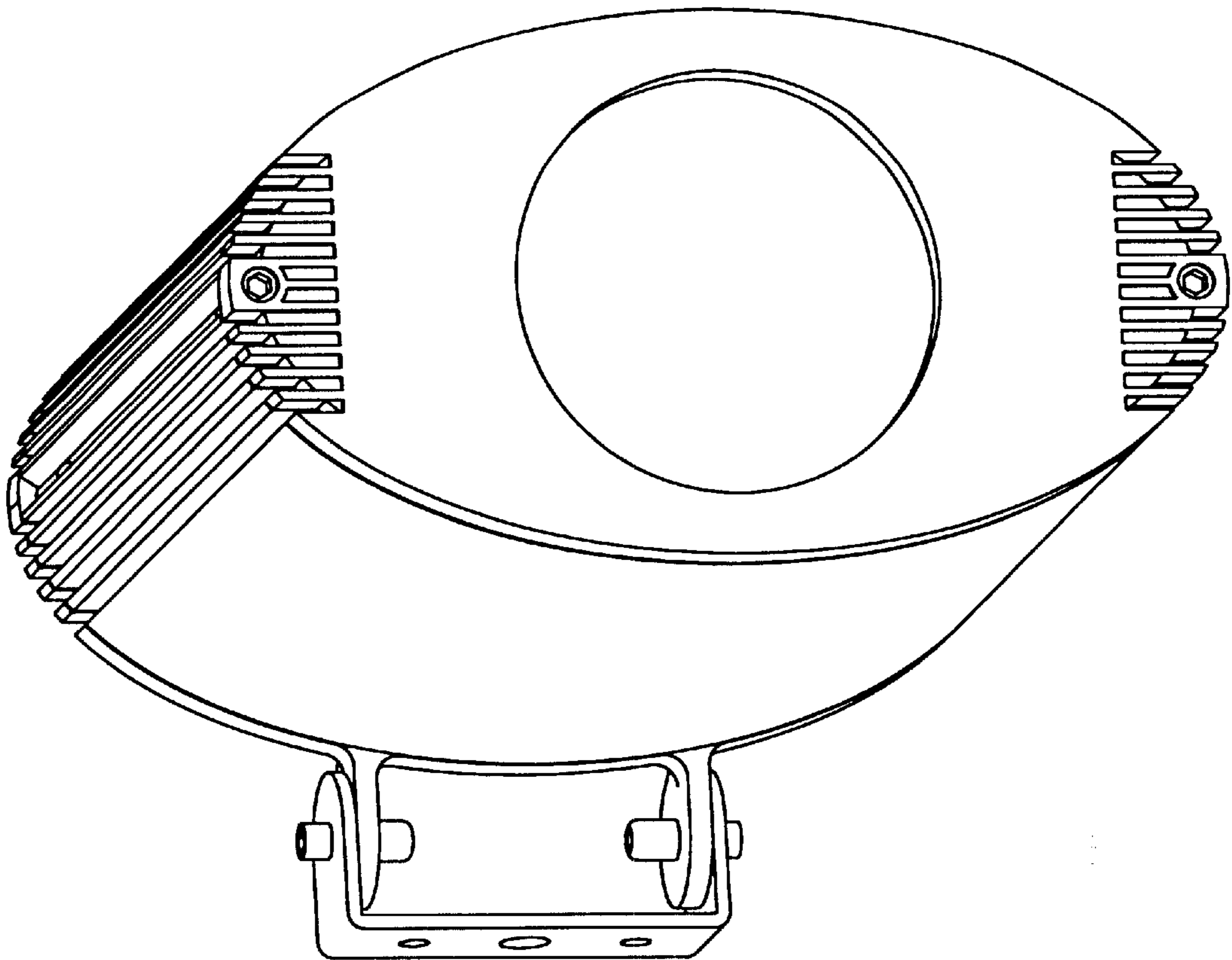


Fig. 2

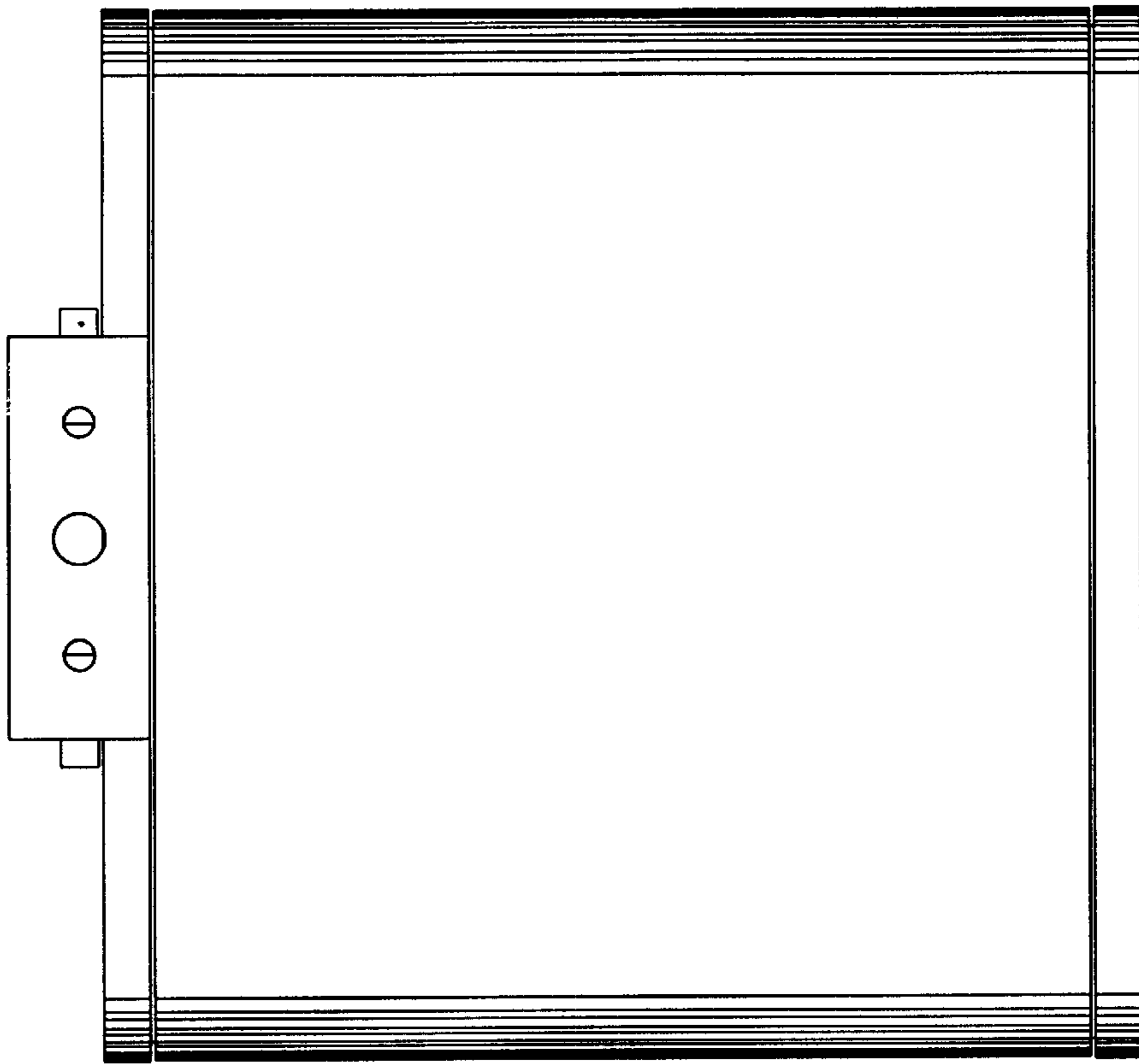


Fig. 3

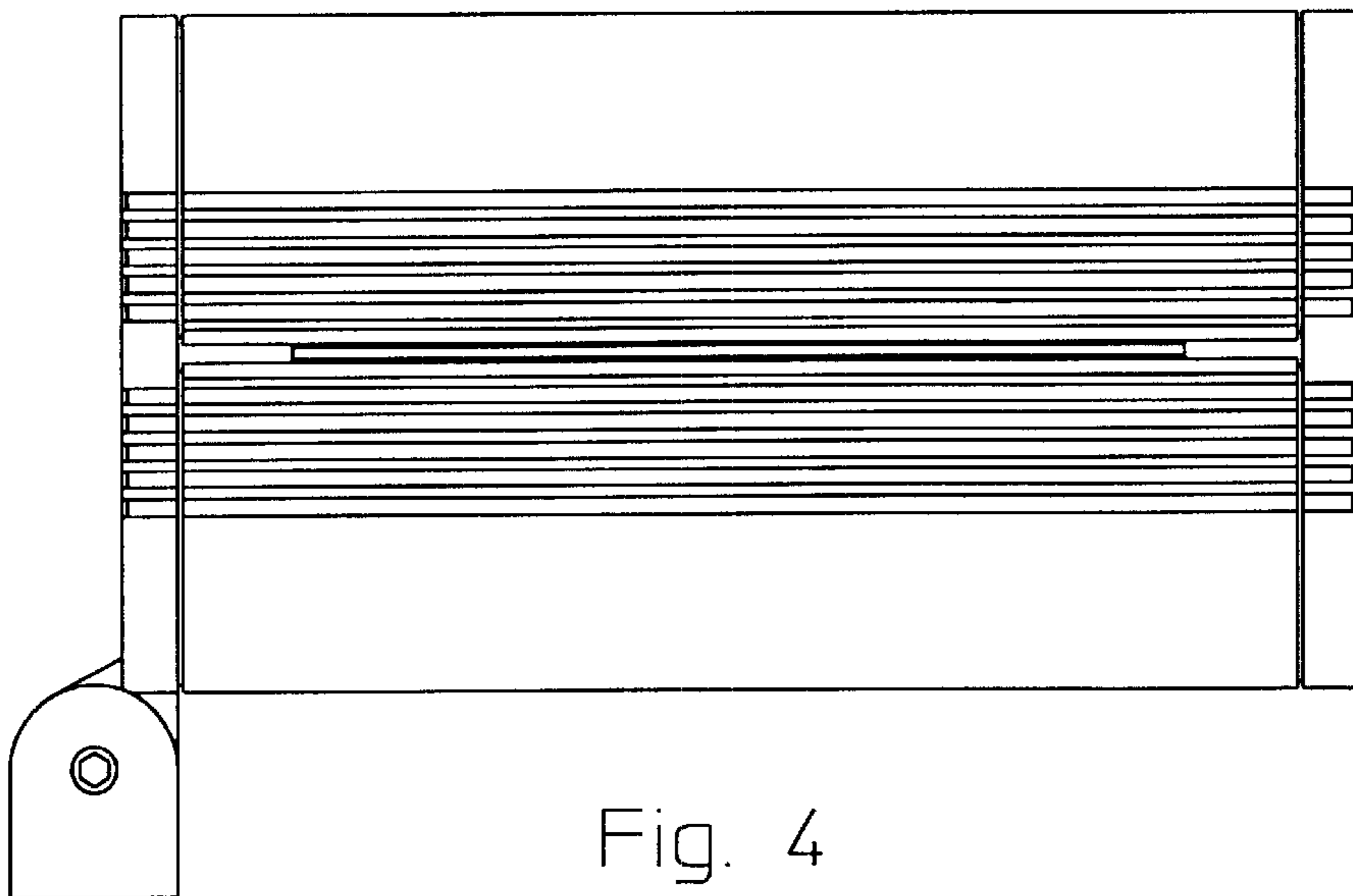


Fig. 4

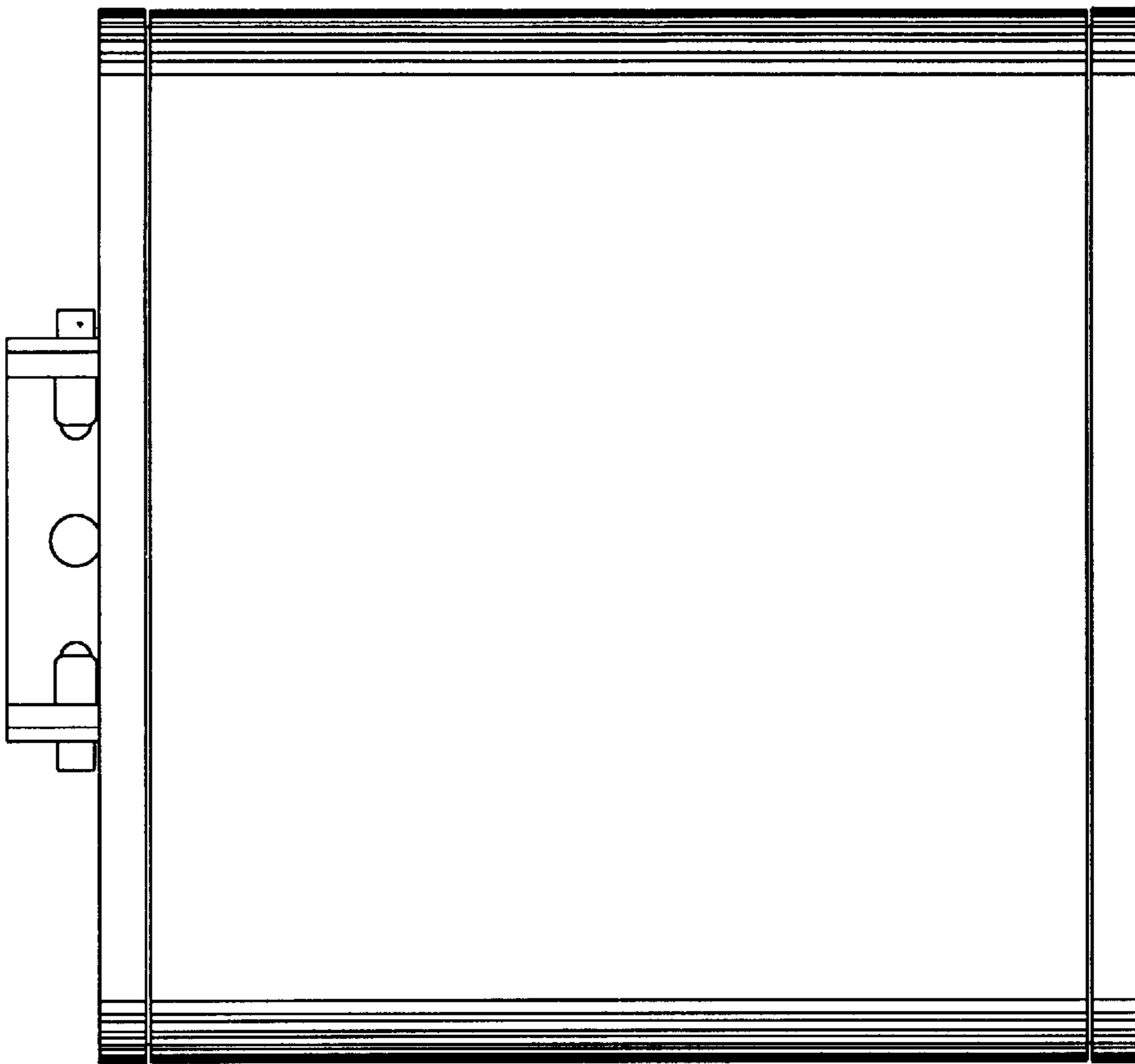


Fig. 5

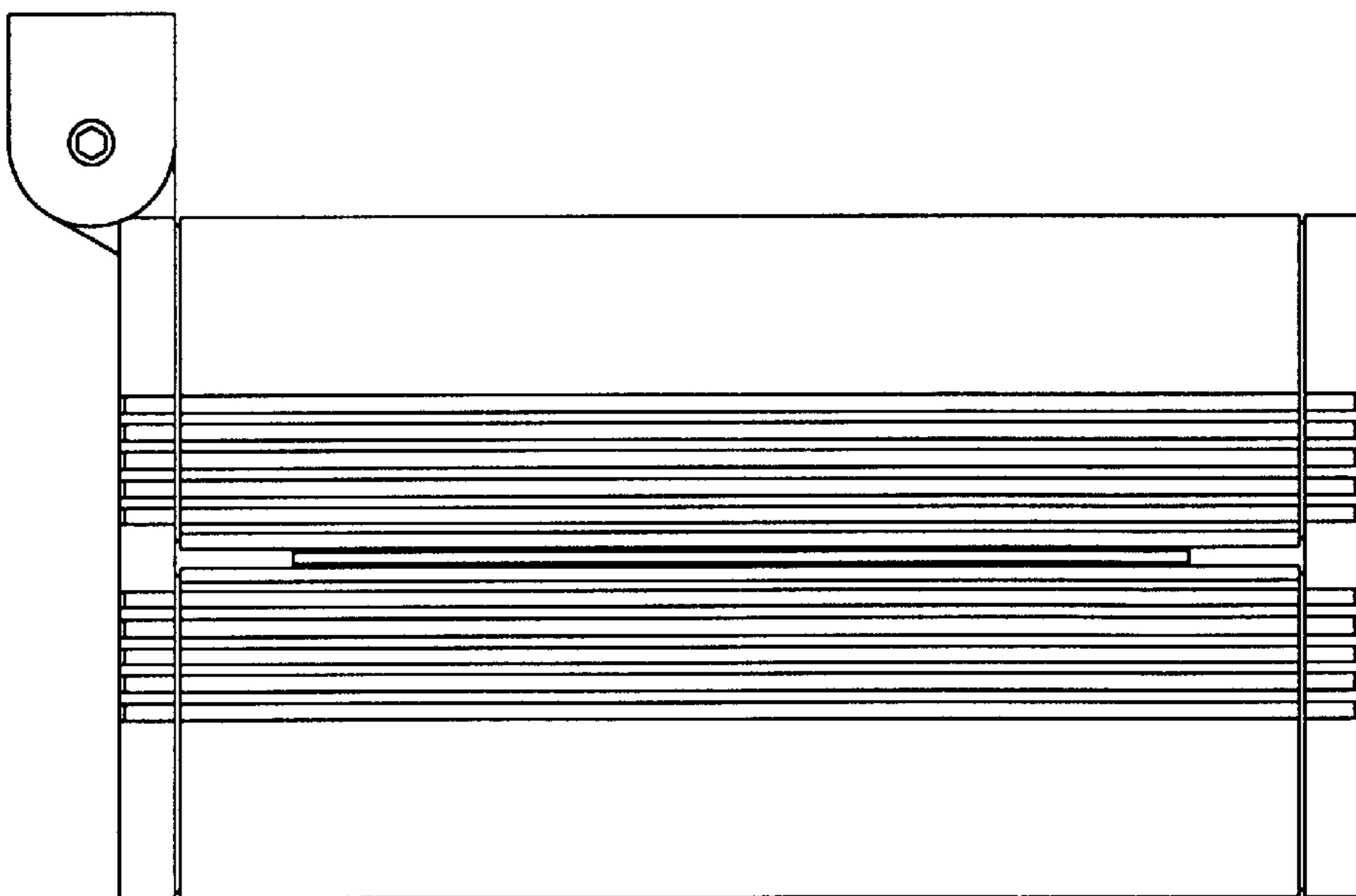


Fig. 6

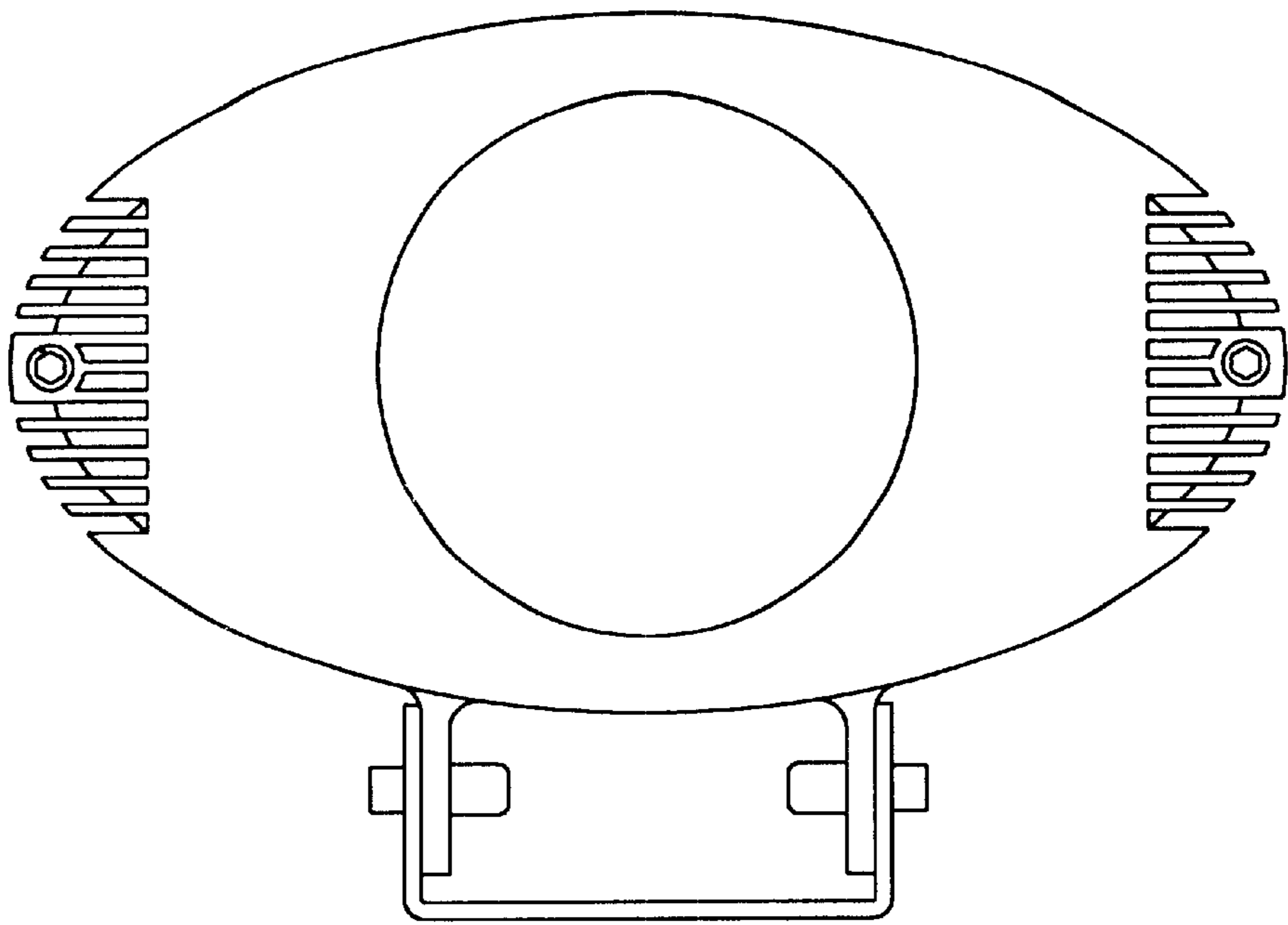


Fig. 7

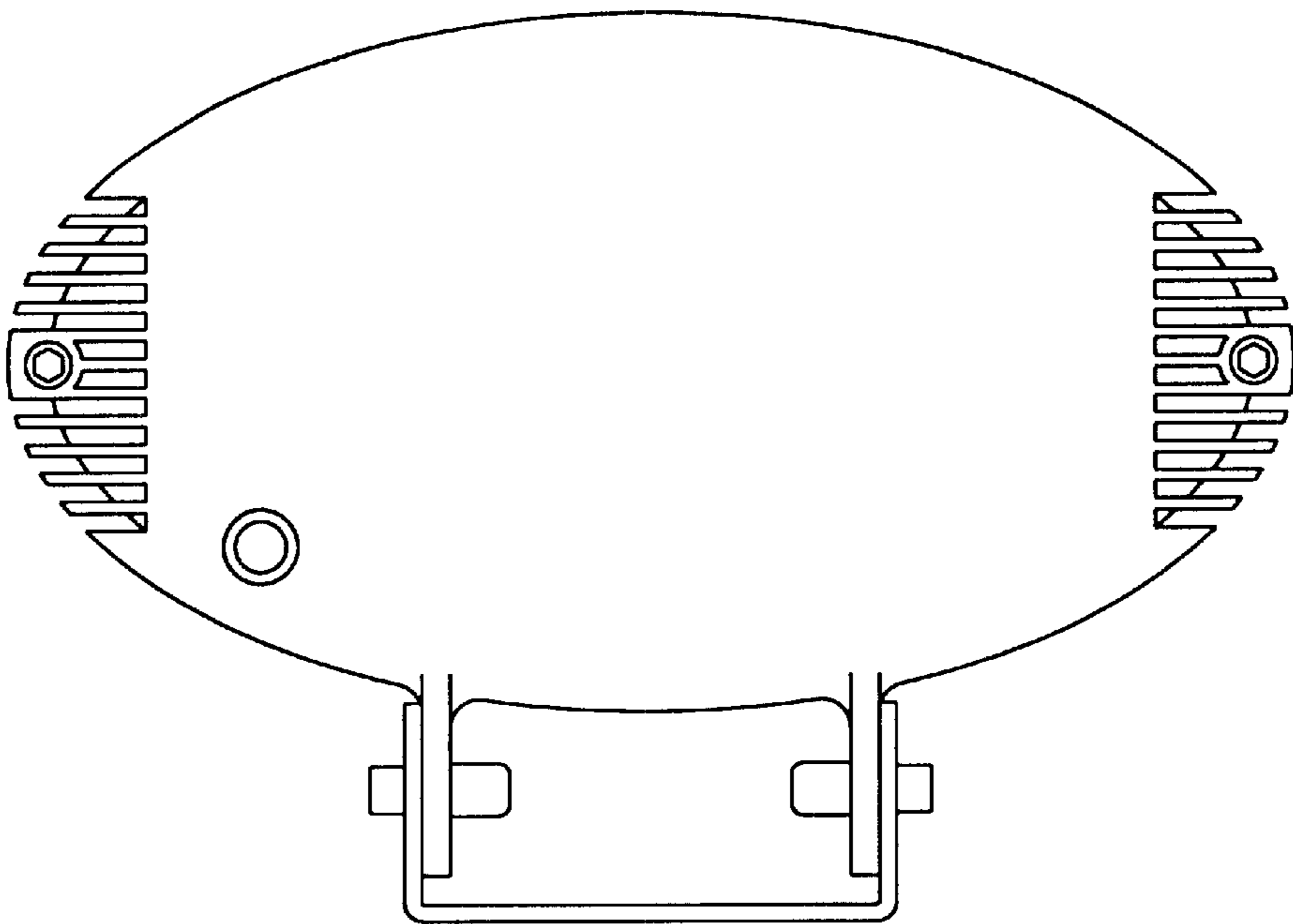


Fig. 8

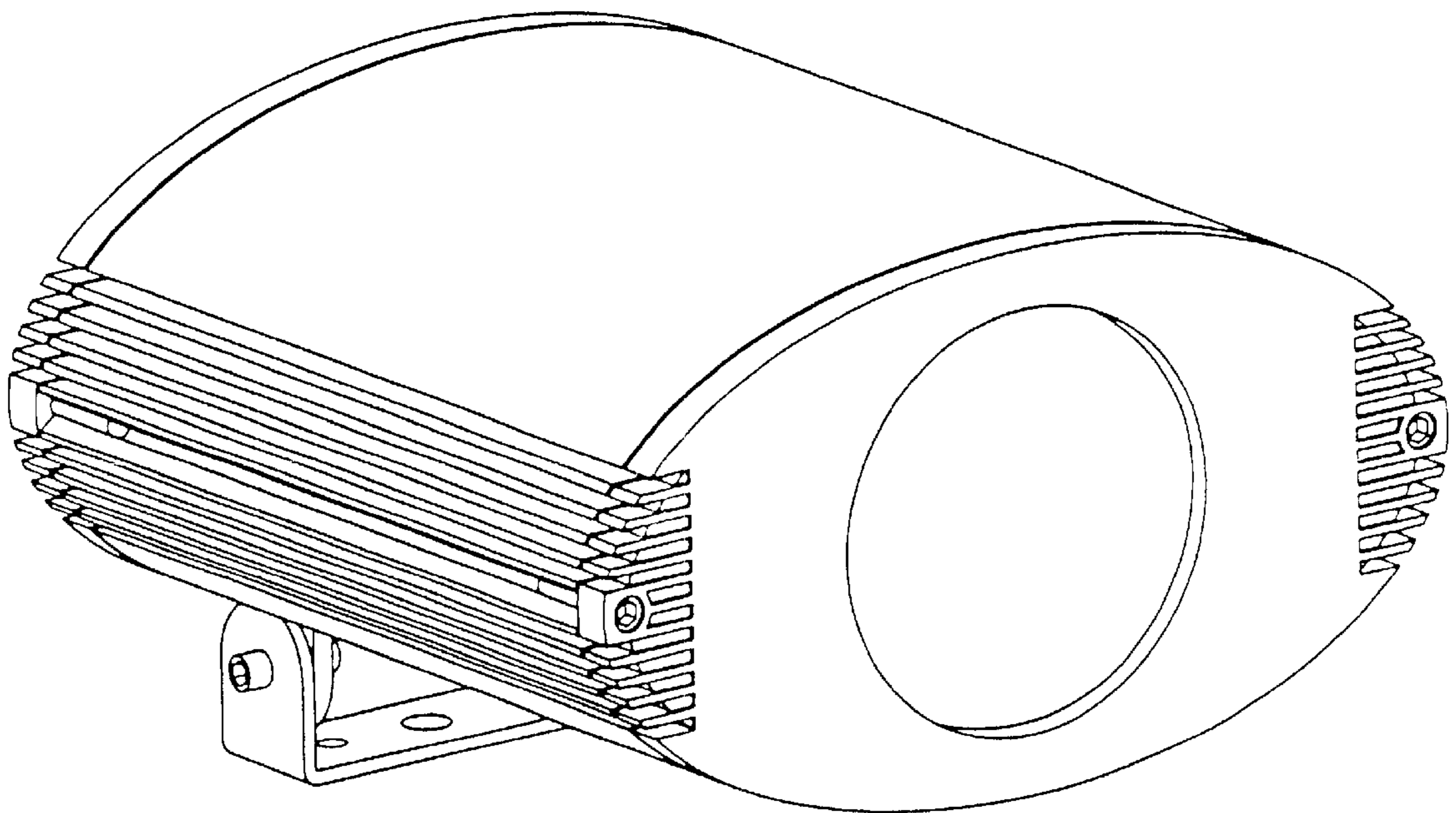


FIG. 9