



US00D460830S

(12) **United States Design Patent**
Unger

(10) **Patent No.:** **US D460,830 S**

(45) **Date of Patent:** **** Jul. 23, 2002**

(54) **SET OF INTERLOCKING PAVERS**

(74) *Attorney, Agent, or Firm*—Kenneth W. Wargo

(76) **Inventor:** **Thomas Unger**, 2014 W. 8th St., Erie,
PA (US) 16505

(57) **CLAIM**

(**) **Term:** **14 Years**

I claim the ornamental design for a set of interlocking pavers, as shown and described.

(21) **Appl. No.:** **29/145,249**

DESCRIPTION

(22) **Filed:** **Jul. 19, 2001**

(51) **LOC (7) Cl.** **25-01**

(52) **U.S. Cl.** **D25/113**

(58) **Field of Search** D25/112–118,
D25/199; D21/484–486, 490–491, 493,
499–505; 405/284, 16, 272–273; 404/17–18,
25, 29–30, 34–42; 52/102, 514–582.2, 596,
603–612

FIG. 1 is a partial top plan view of a set of interlocking pavers showing my new design in one installation with like sets;

FIG. 2 is an enlarged perspective view of the first paver of the set shown separately for clarity of illustration;

FIG. 3 is a top plan view thereof;

FIG. 4 is a front side elevation view thereof;

FIG. 5 is a bottom plan view thereof;

FIG. 6 is a rear side elevation view thereof;

FIG. 7 is a right side elevation view thereof;

FIG. 8 is a left side elevation view thereof;

FIG. 9 is an enlarged perspective view of the second paver of the set shown separately for clarity of illustration;

FIG. 10 is a top plan view thereof;

FIG. 11 is a front side elevational view thereof;

FIG. 12 is a bottom plan view thereof;

FIG. 13 is a rear side elevation view thereof;

FIG. 14 is a right side elevation view thereof;

FIG. 15 is a left side elevation view thereof;

FIG. 16 is an enlarged perspective view of the third paver of the set shown separately for clarity of illustration;

FIG. 17 is a top plan view thereof;

FIG. 18 is a front side elevation view thereof;

FIG. 19 is a bottom plan view thereof;

FIG. 20 is a rear side elevation view thereof;

FIG. 21 is a right side elevation view thereof; and,

FIG. 22 is a left side elevation view thereof.

(56) **References Cited**

U.S. PATENT DOCUMENTS

457,982	A	*	8/1891	Bohme	52/574
1,452,583	A	*	4/1923	Williams	52/575
3,733,675	A	*	5/1973	Diederich	D25/113 X
3,947,192	A	*	3/1976	Rosenberger	404/41
4,544,305	A	*	10/1985	Hair	404/41
5,286,139	A	*	2/1994	Hair	404/41
5,560,173	A	*	10/1996	Scheiwiller	52/608
5,625,990	A	*	5/1997	Hazlett	52/604 X
D396,901	S	*	8/1998	Langsdroff	D25/113

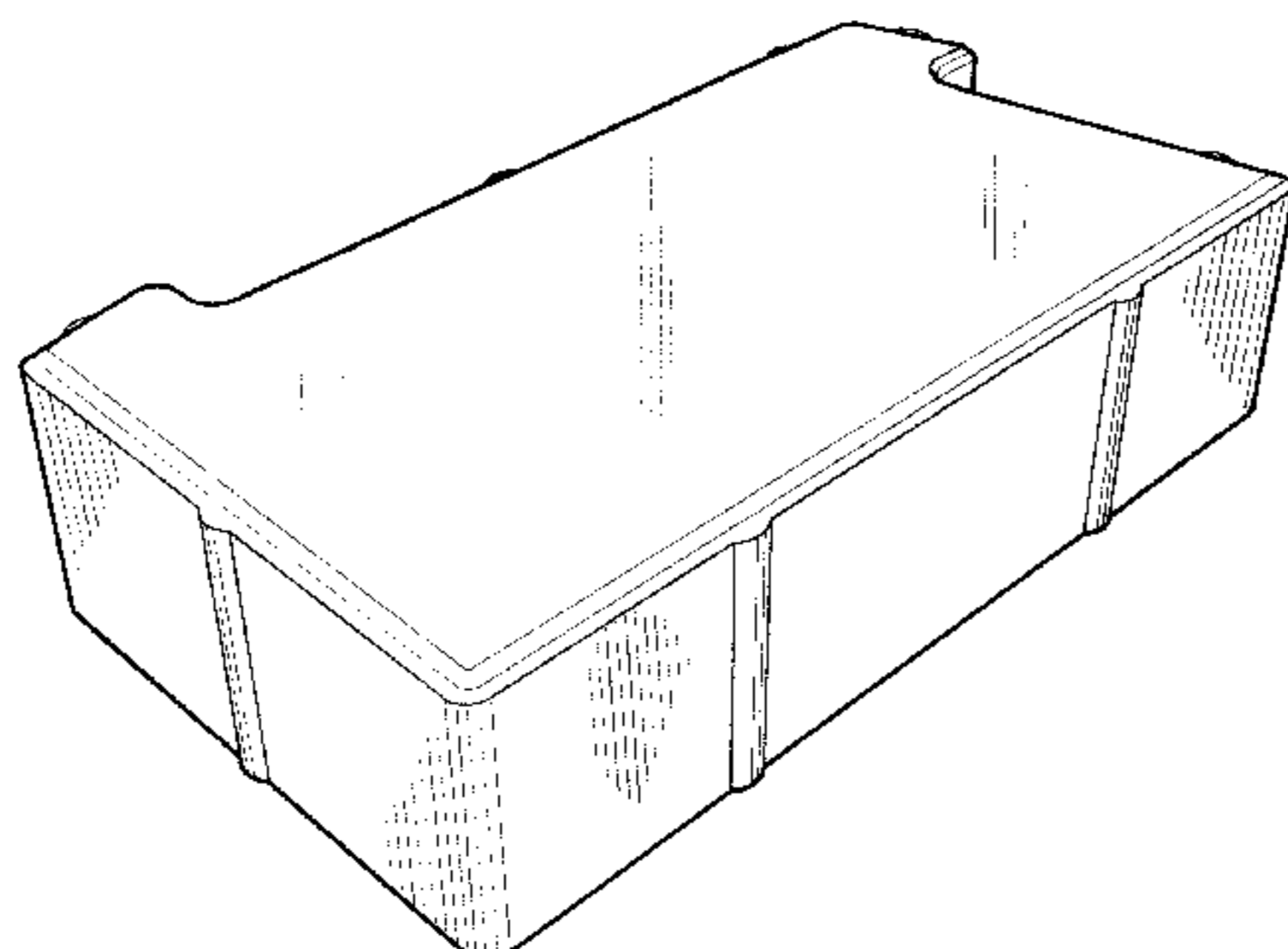
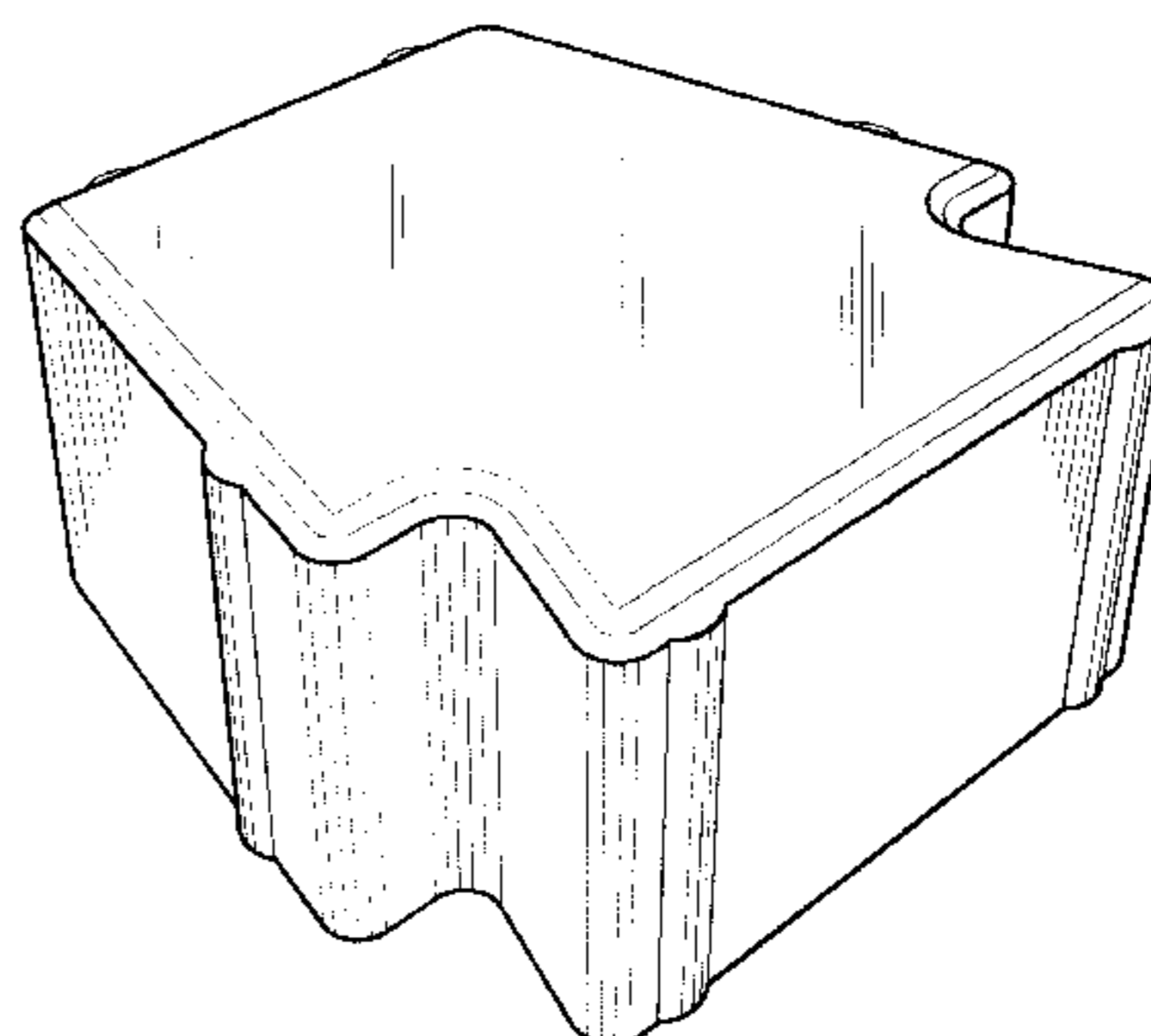
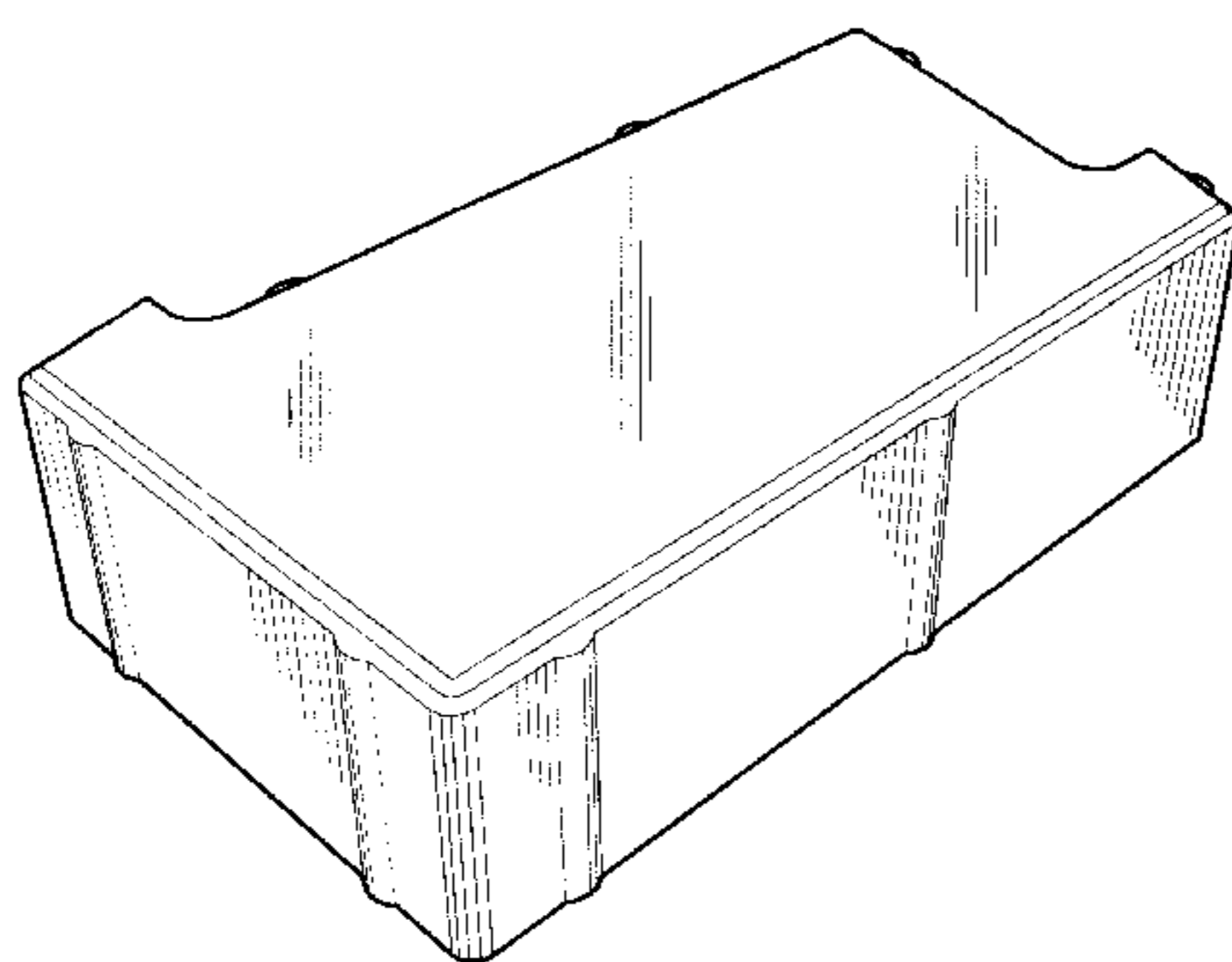
FOREIGN PATENT DOCUMENTS

DE 830806 * 7/1949 D25/113 X

* cited by examiner

Primary Examiner—Louis S. Zarfaz
Assistant Examiner—Robert A. Delehanty

1 Claim, 10 Drawing Sheets



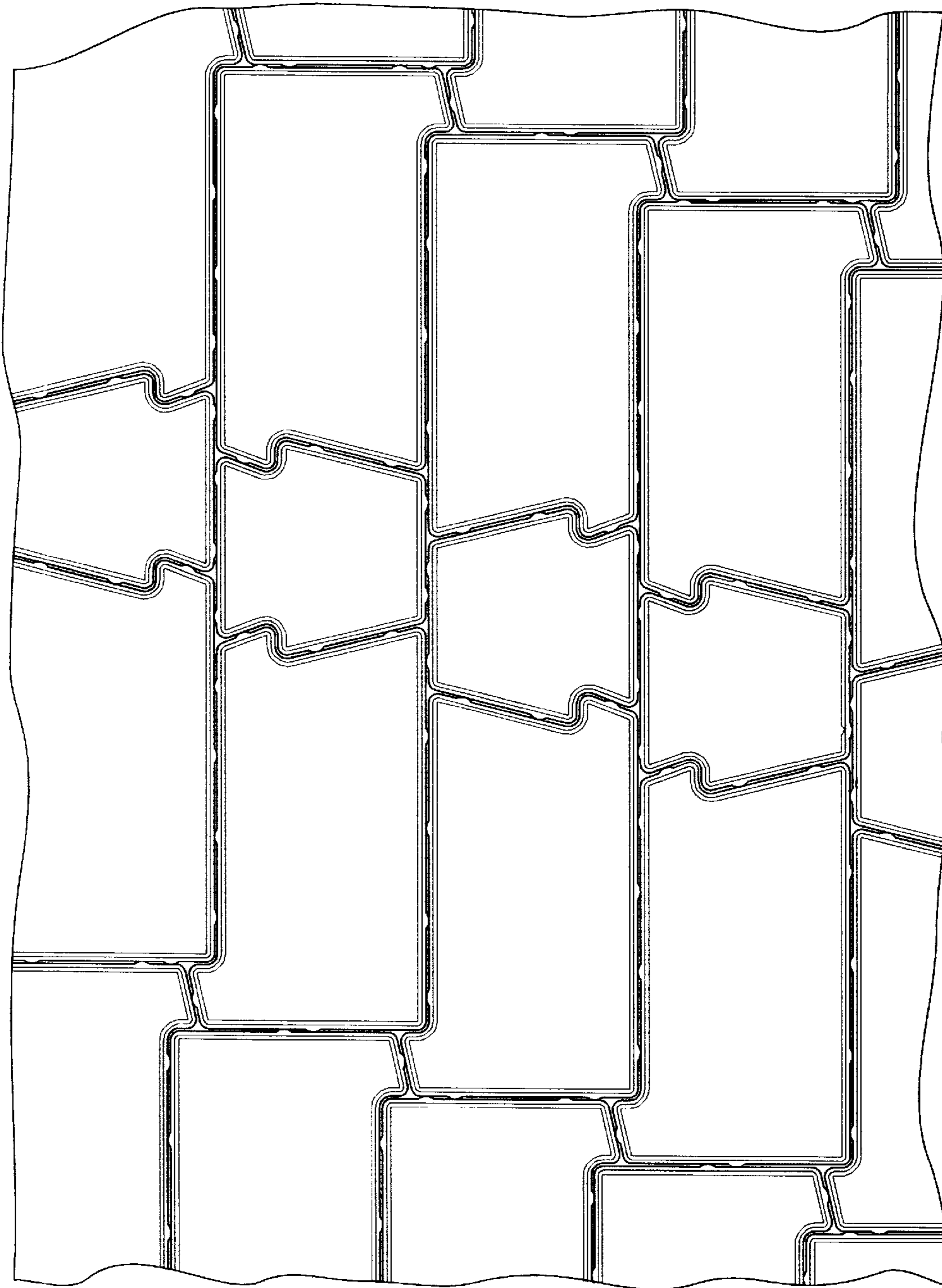


Fig. 1

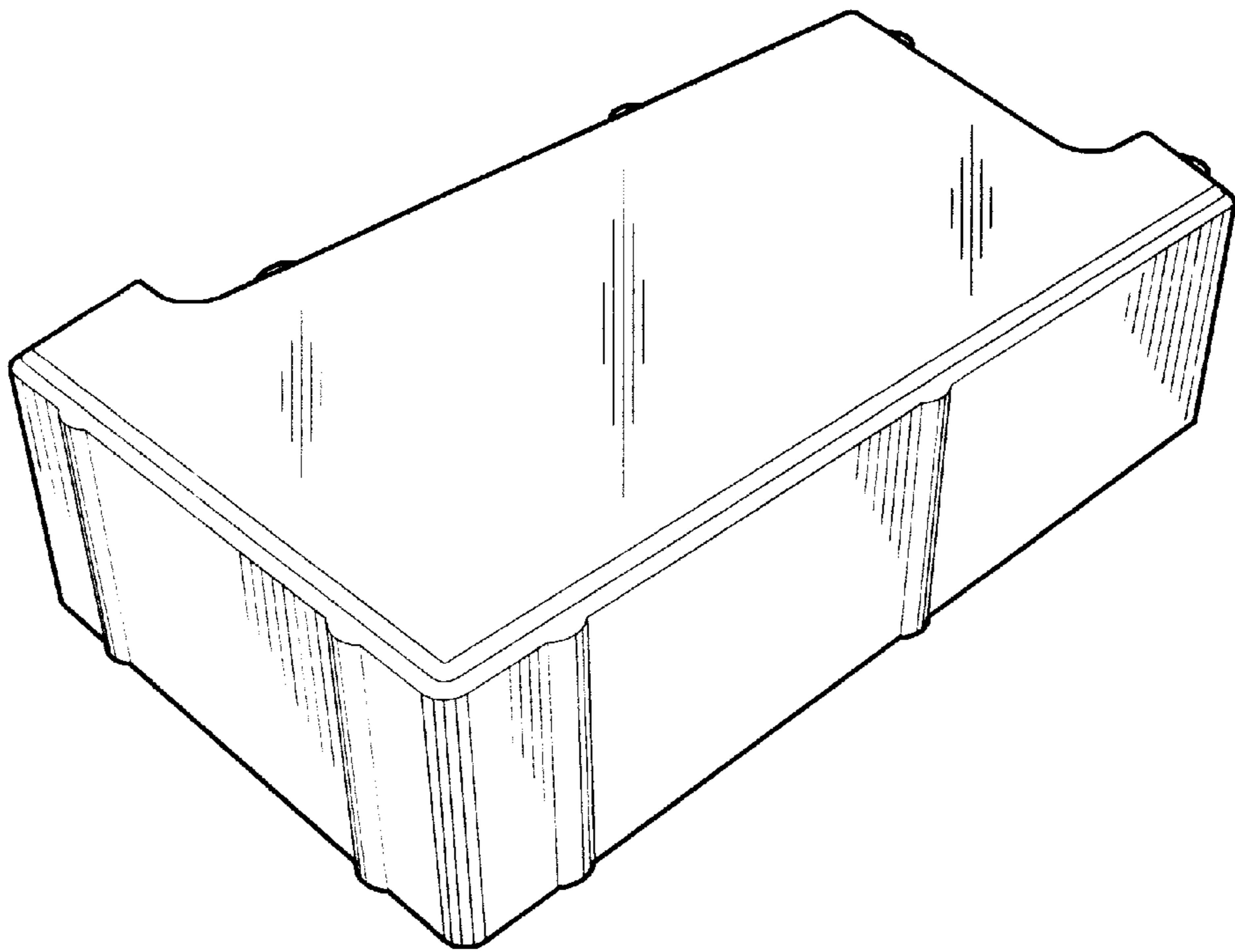


Fig. 2

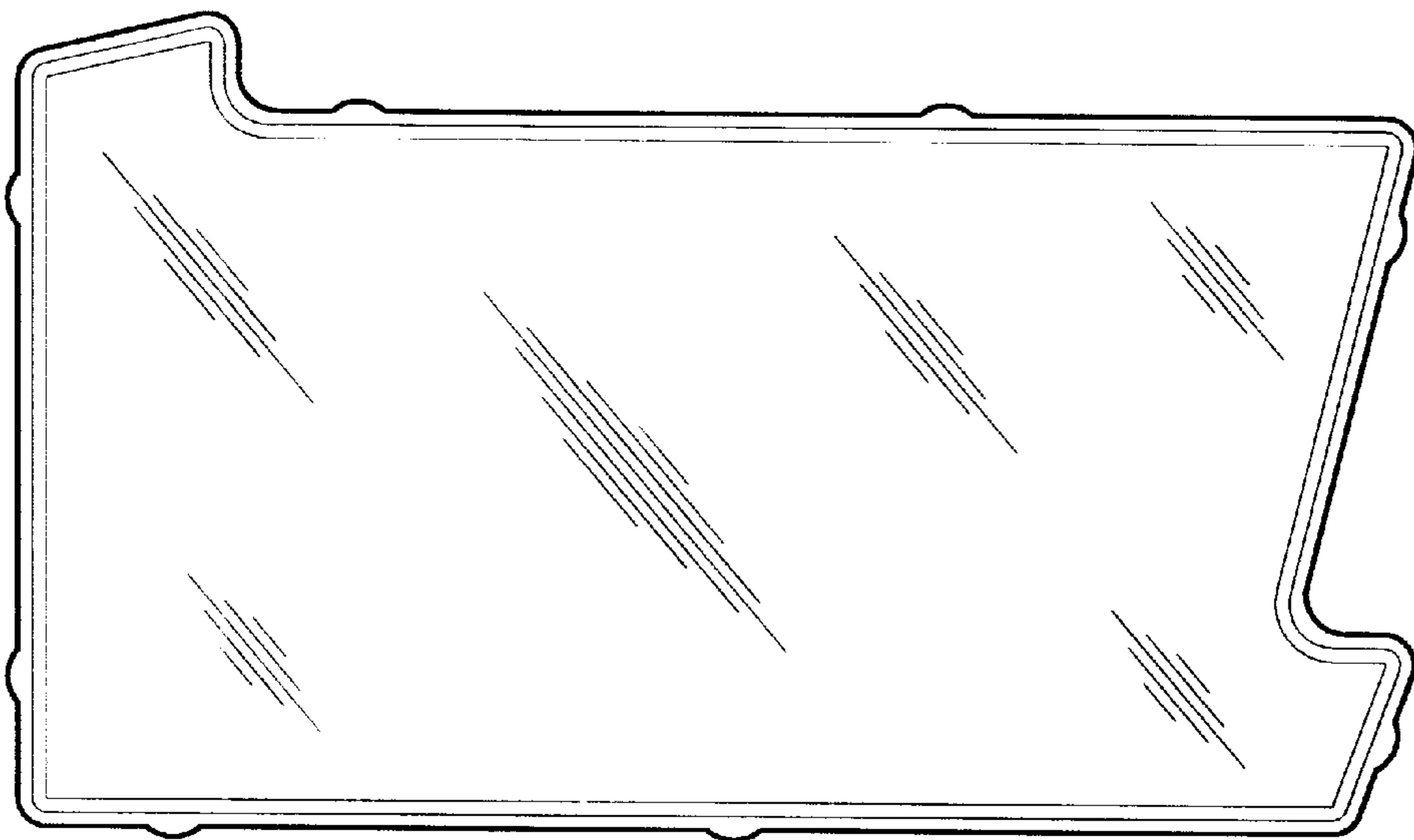


Fig. 3

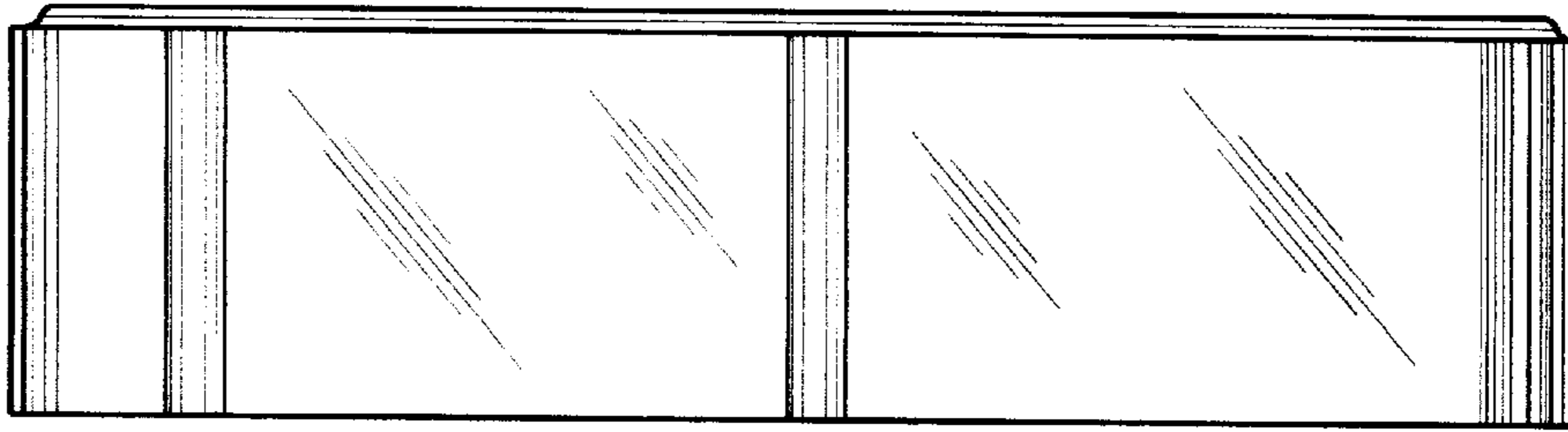


Fig. 4

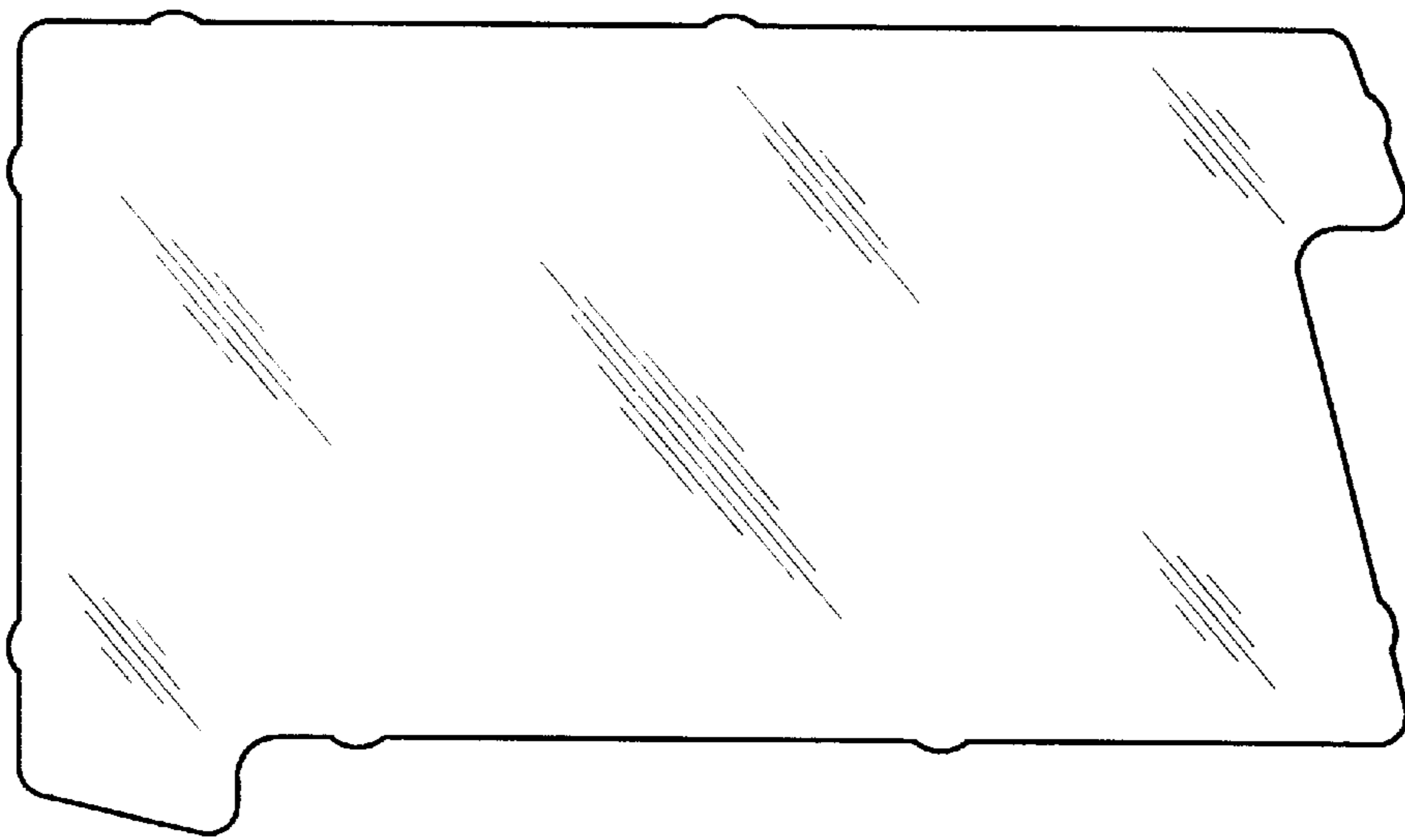


Fig. 5

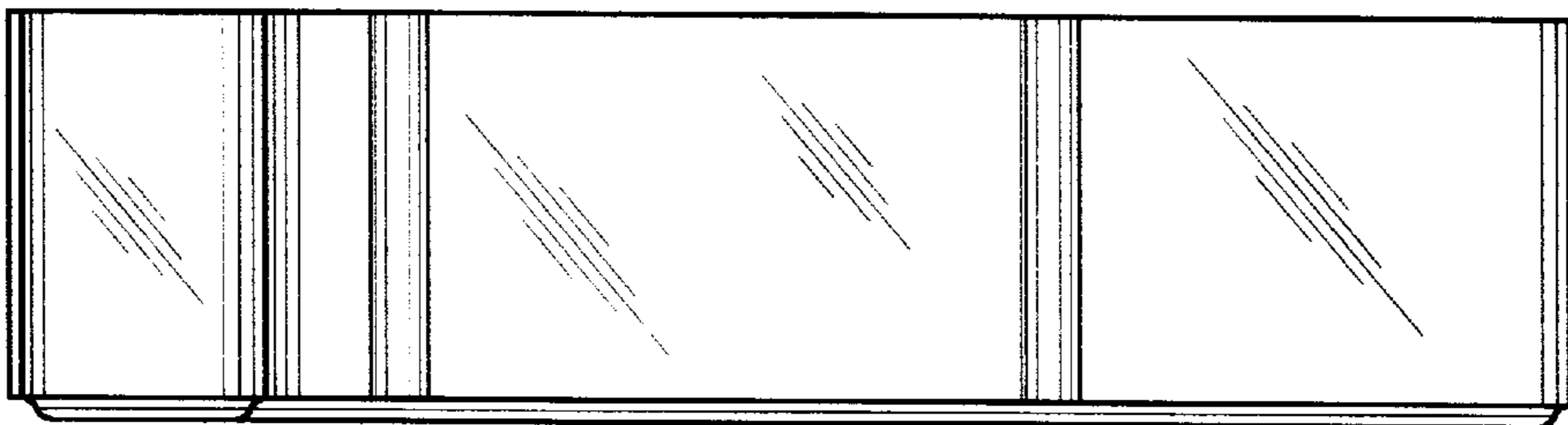


Fig. 6

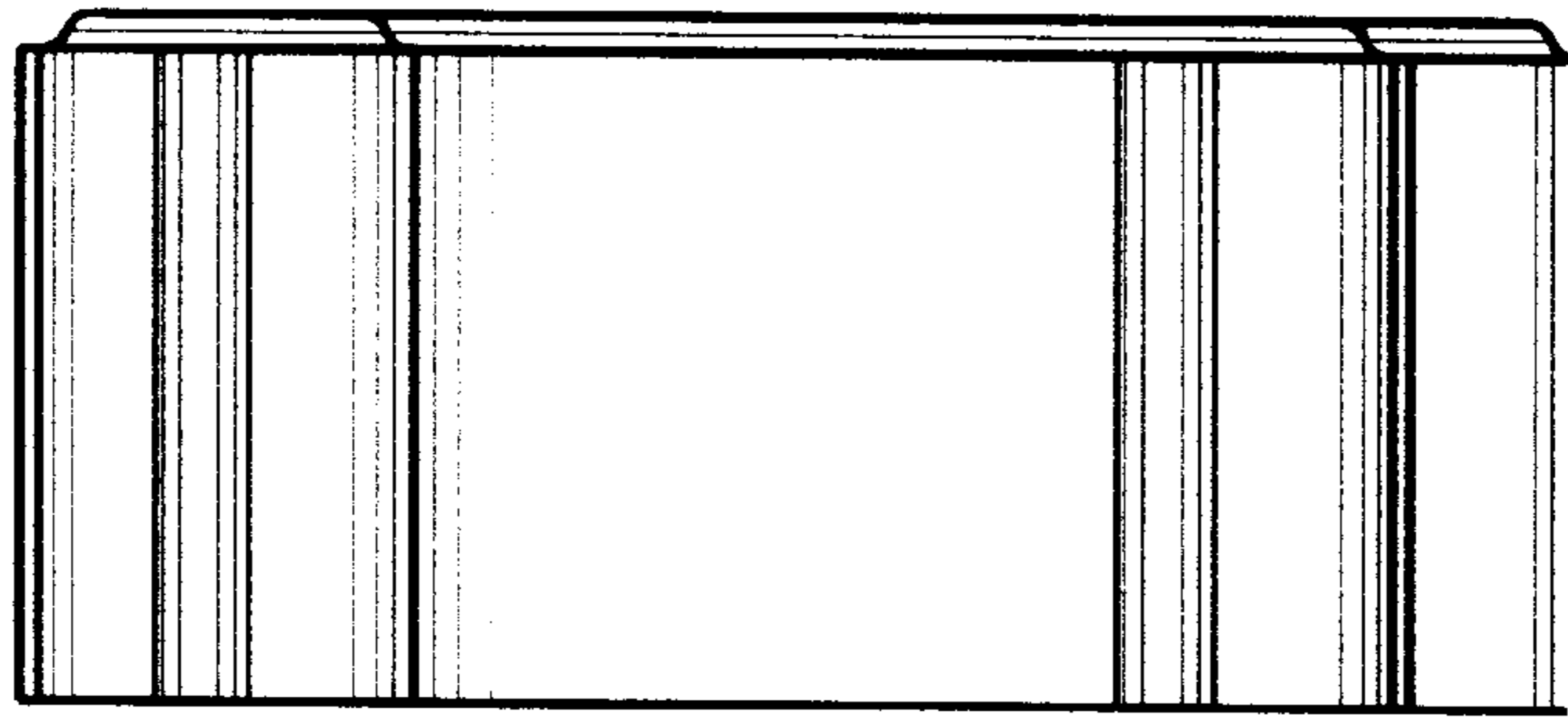


Fig. 7

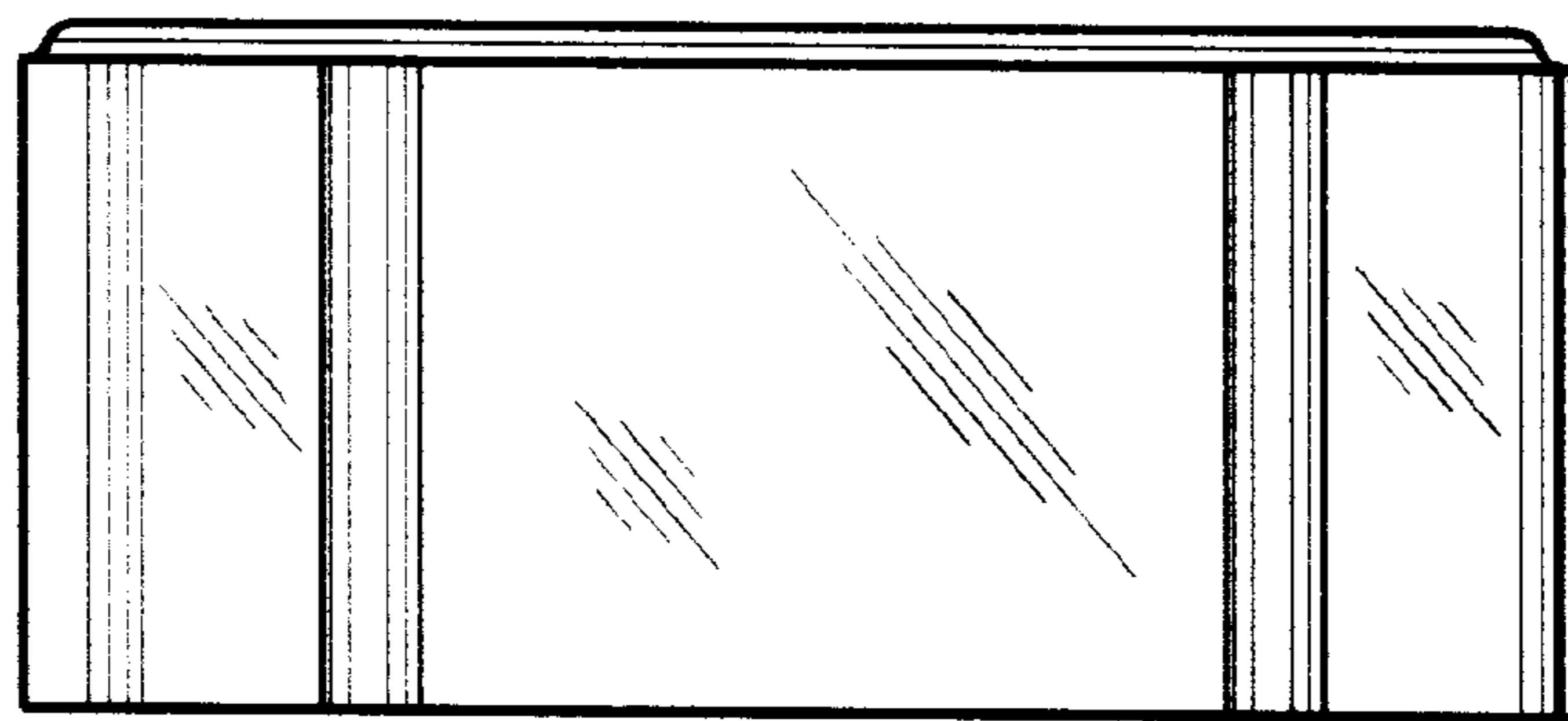


Fig. 8

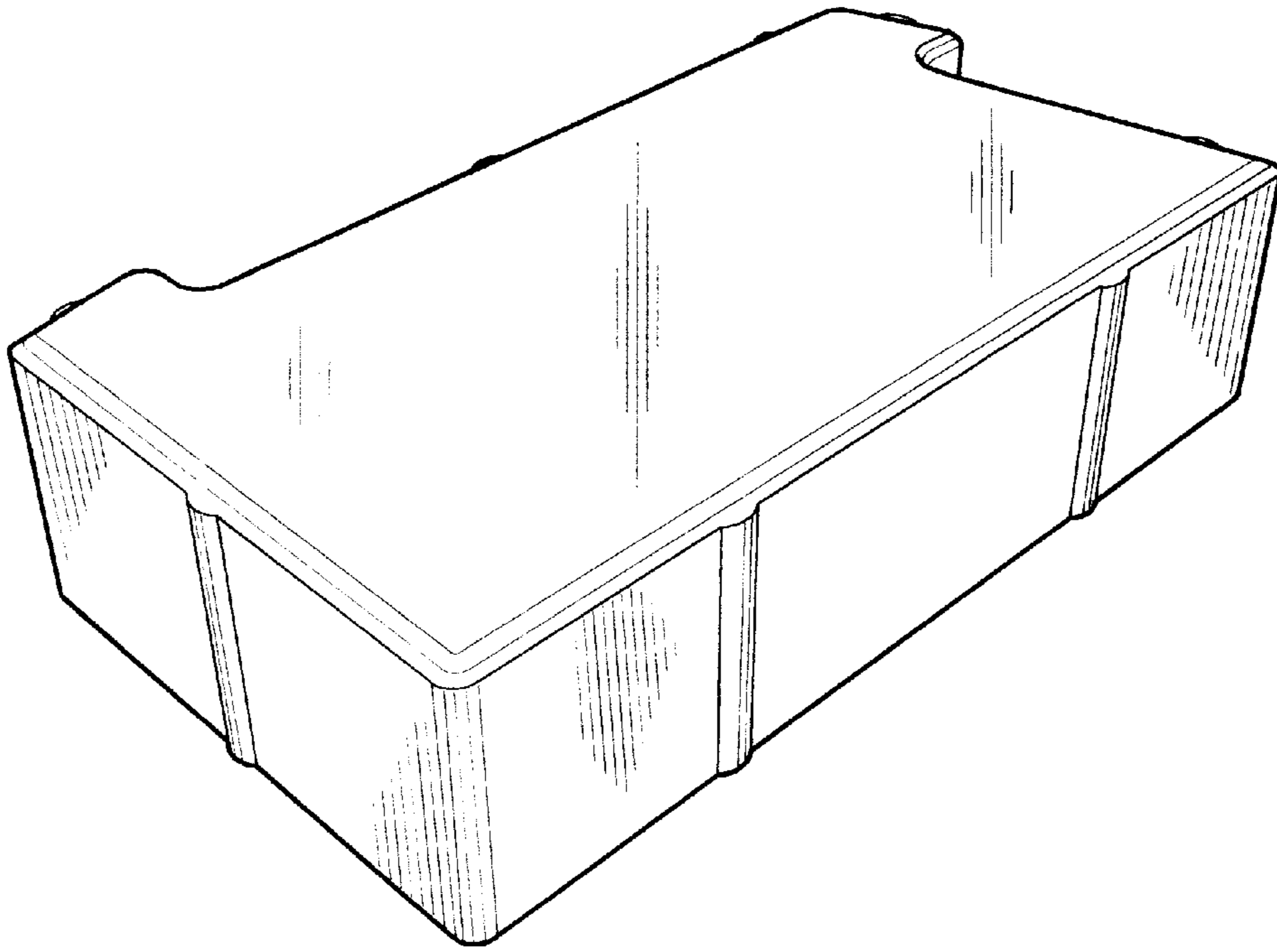


Fig. 9

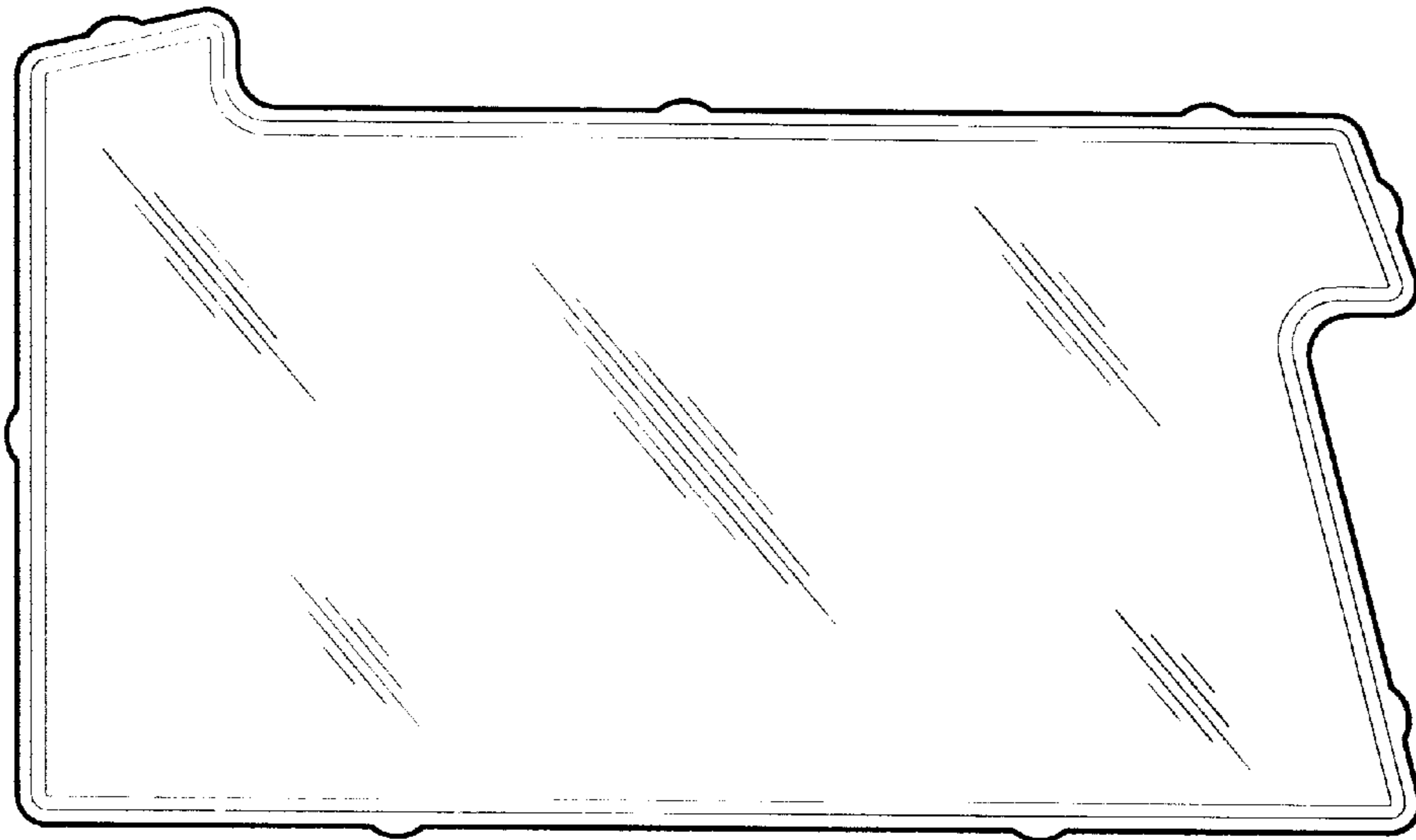


Fig. 10

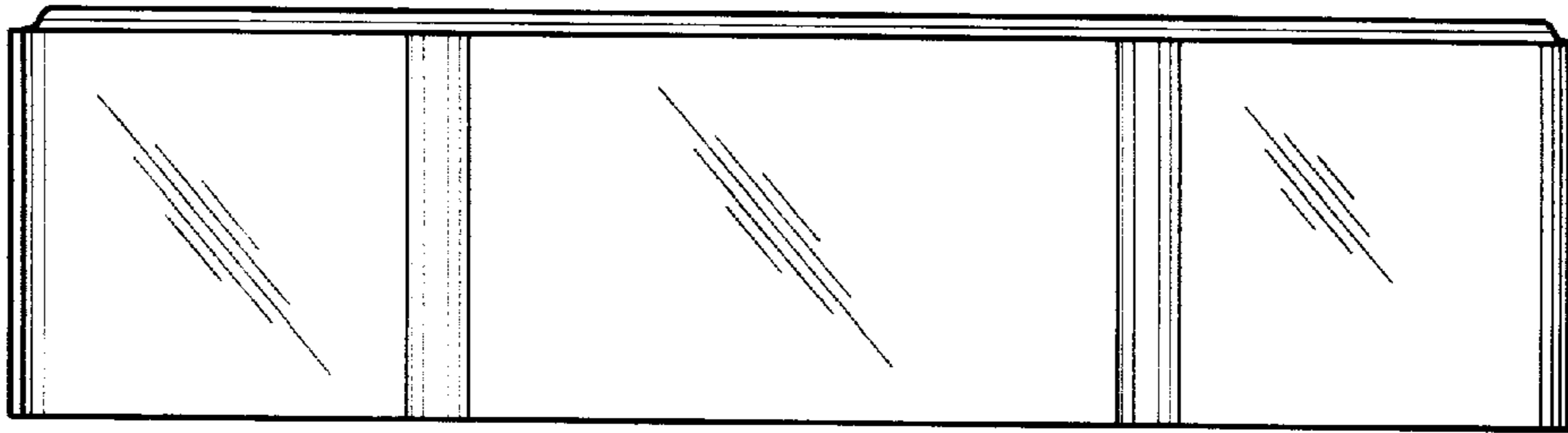


Fig. 11

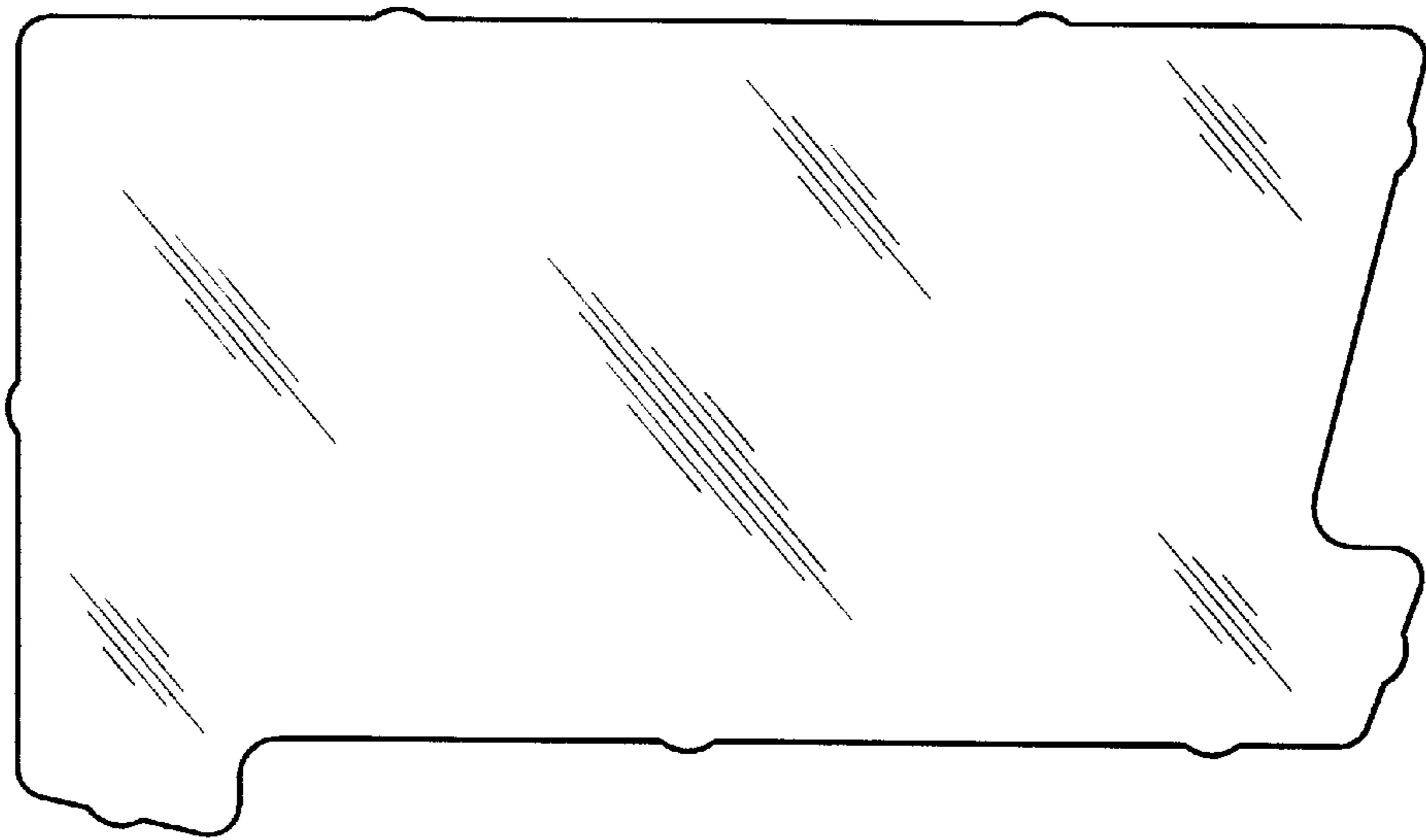


Fig. 12

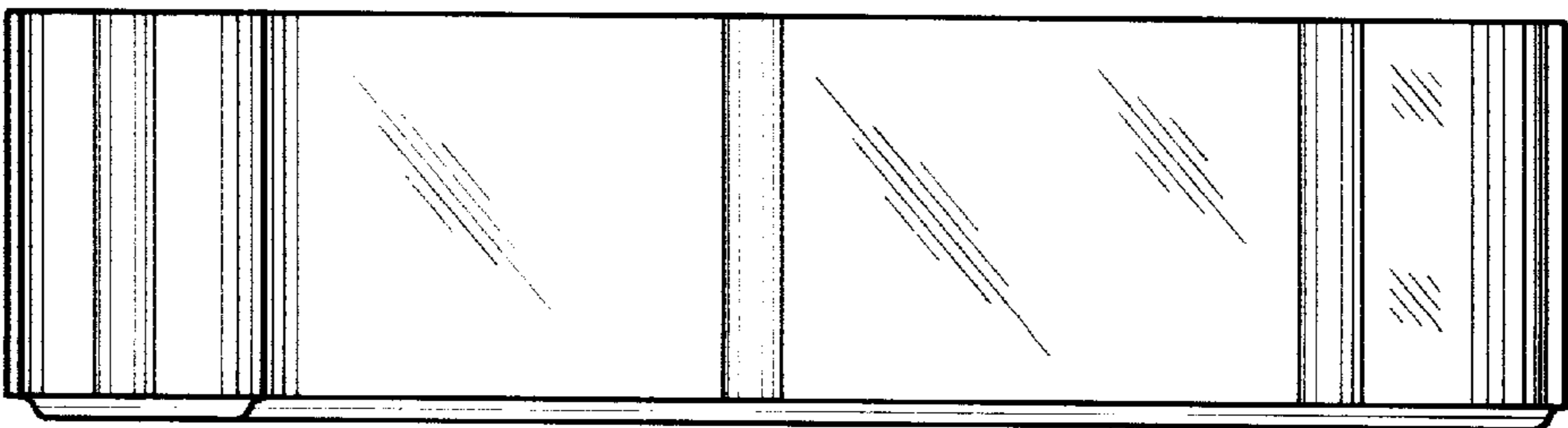


Fig. 13

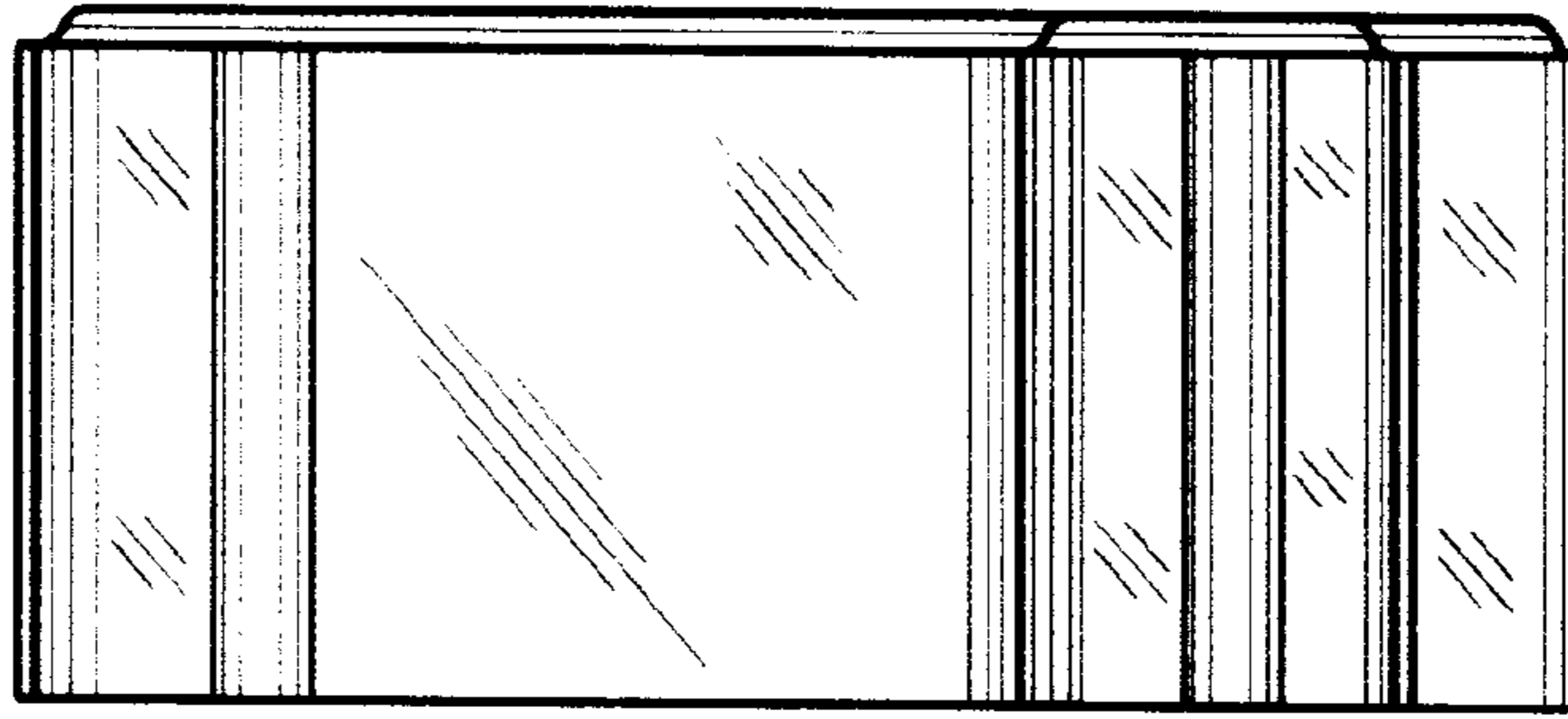


Fig. 14

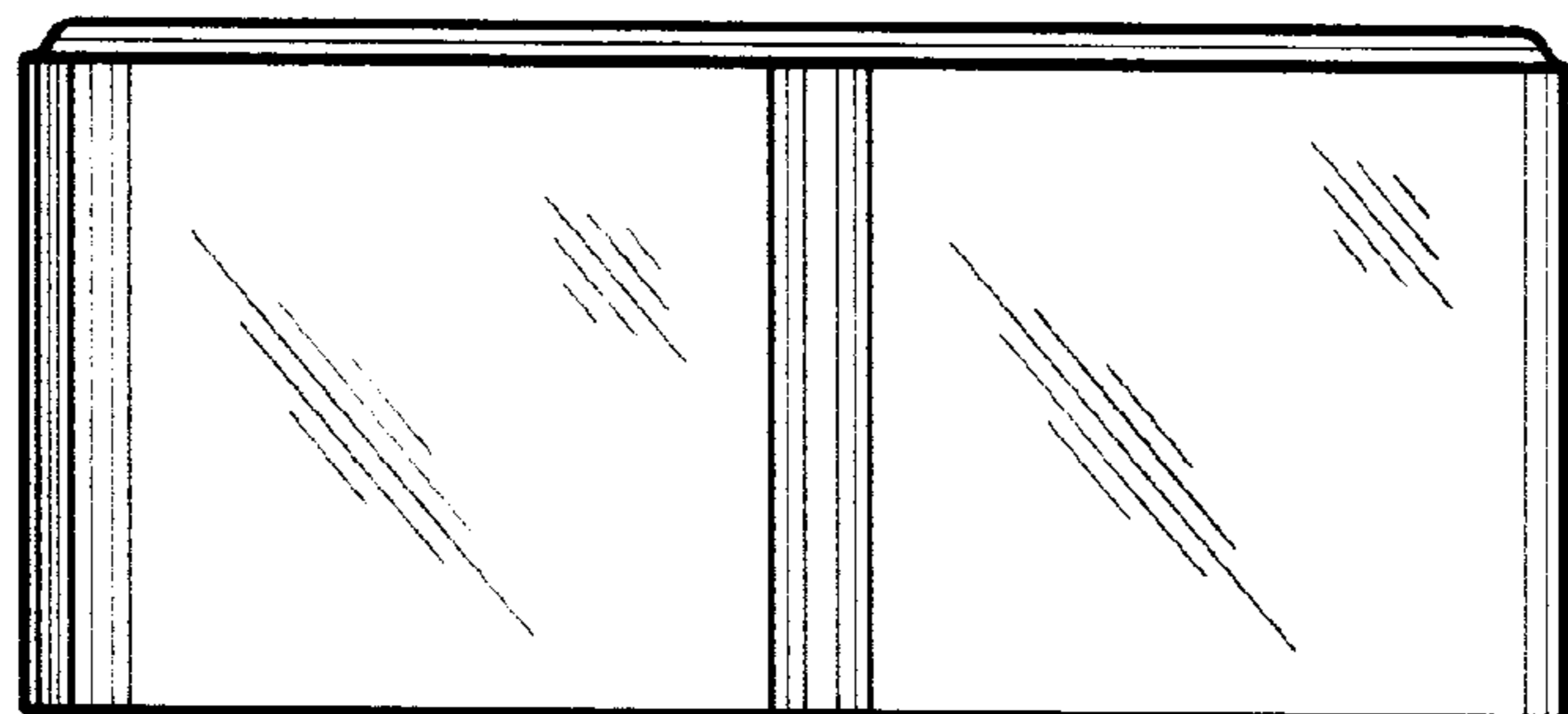


Fig. 15

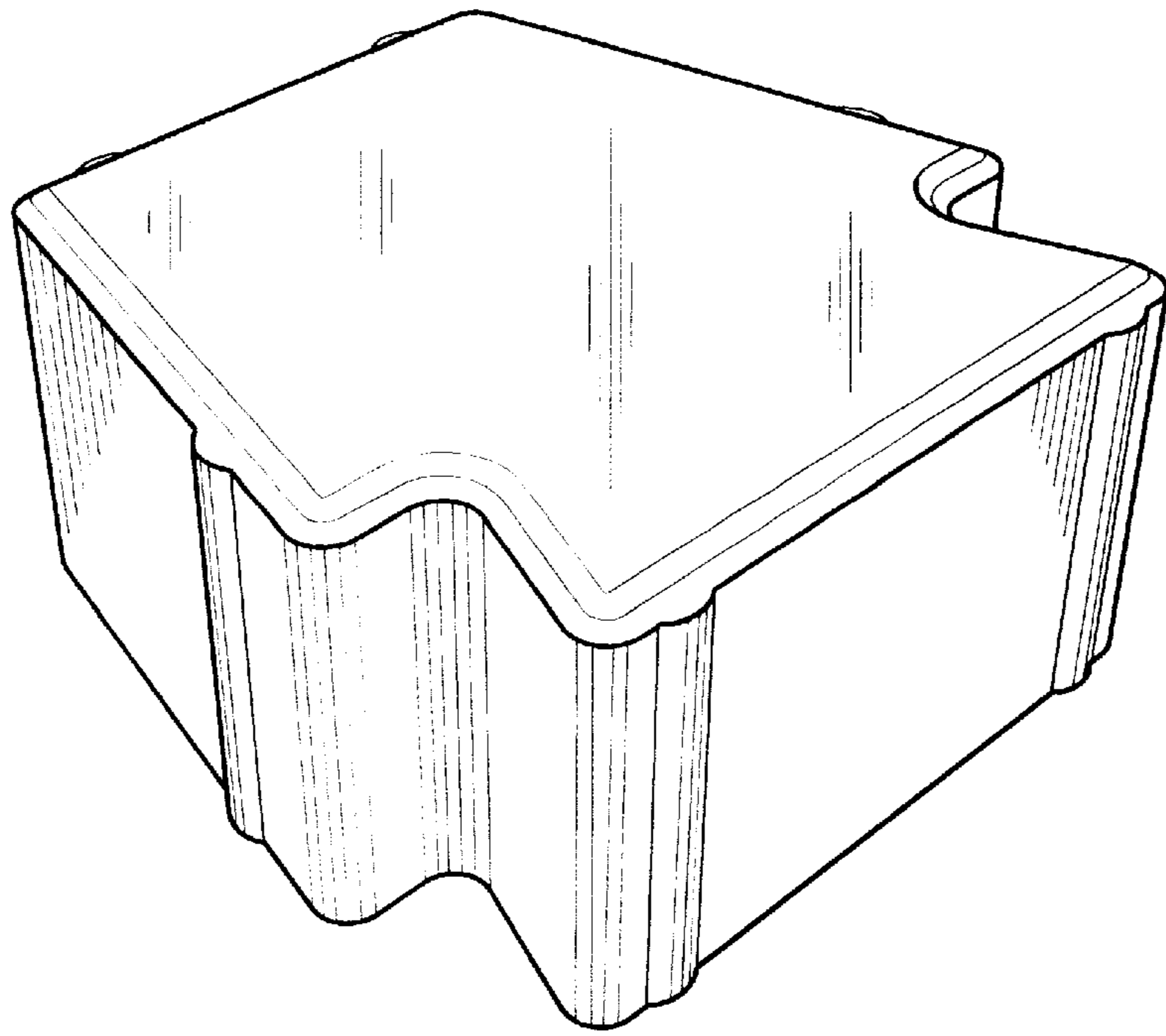


Fig.16

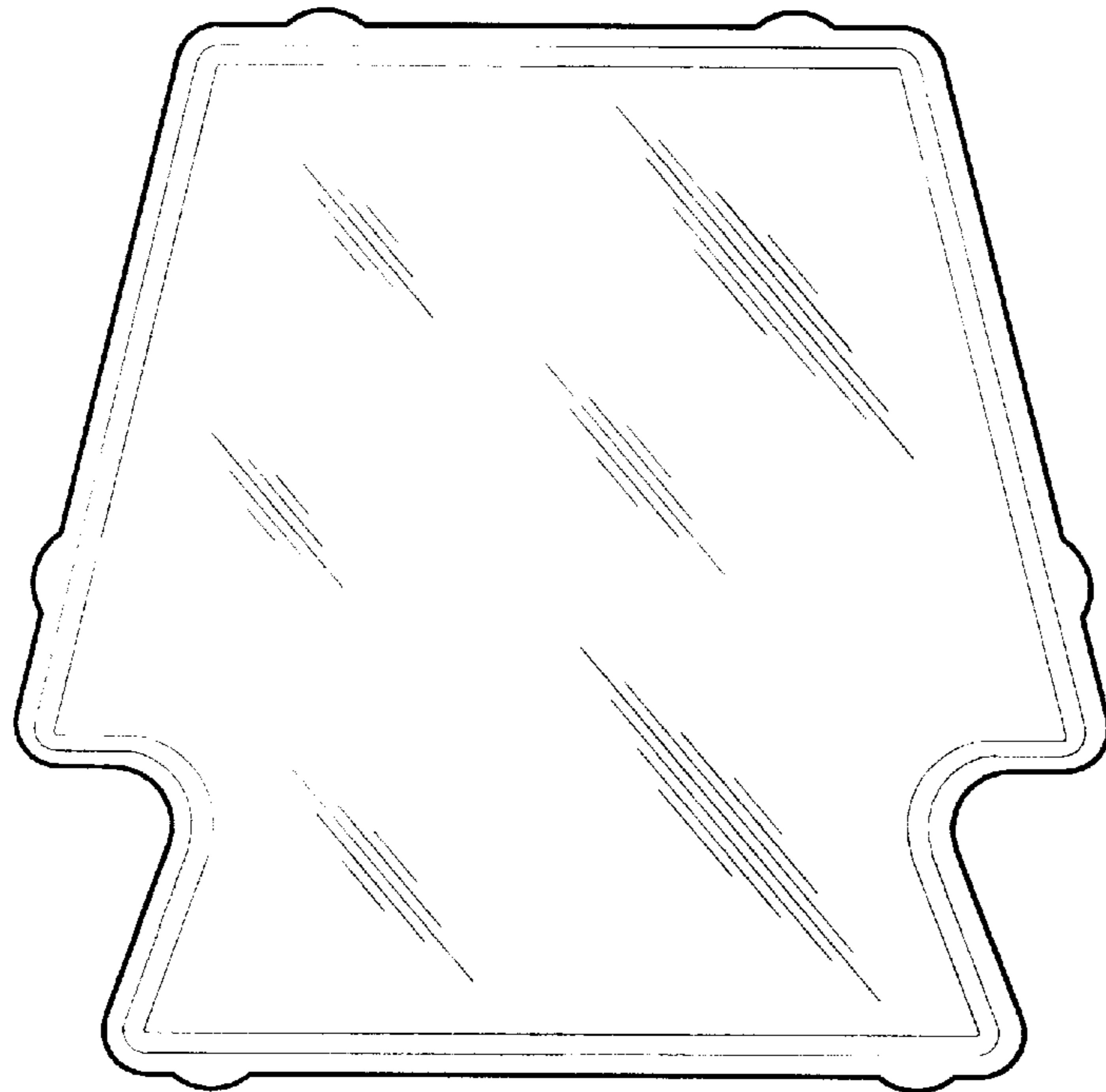


Fig.17

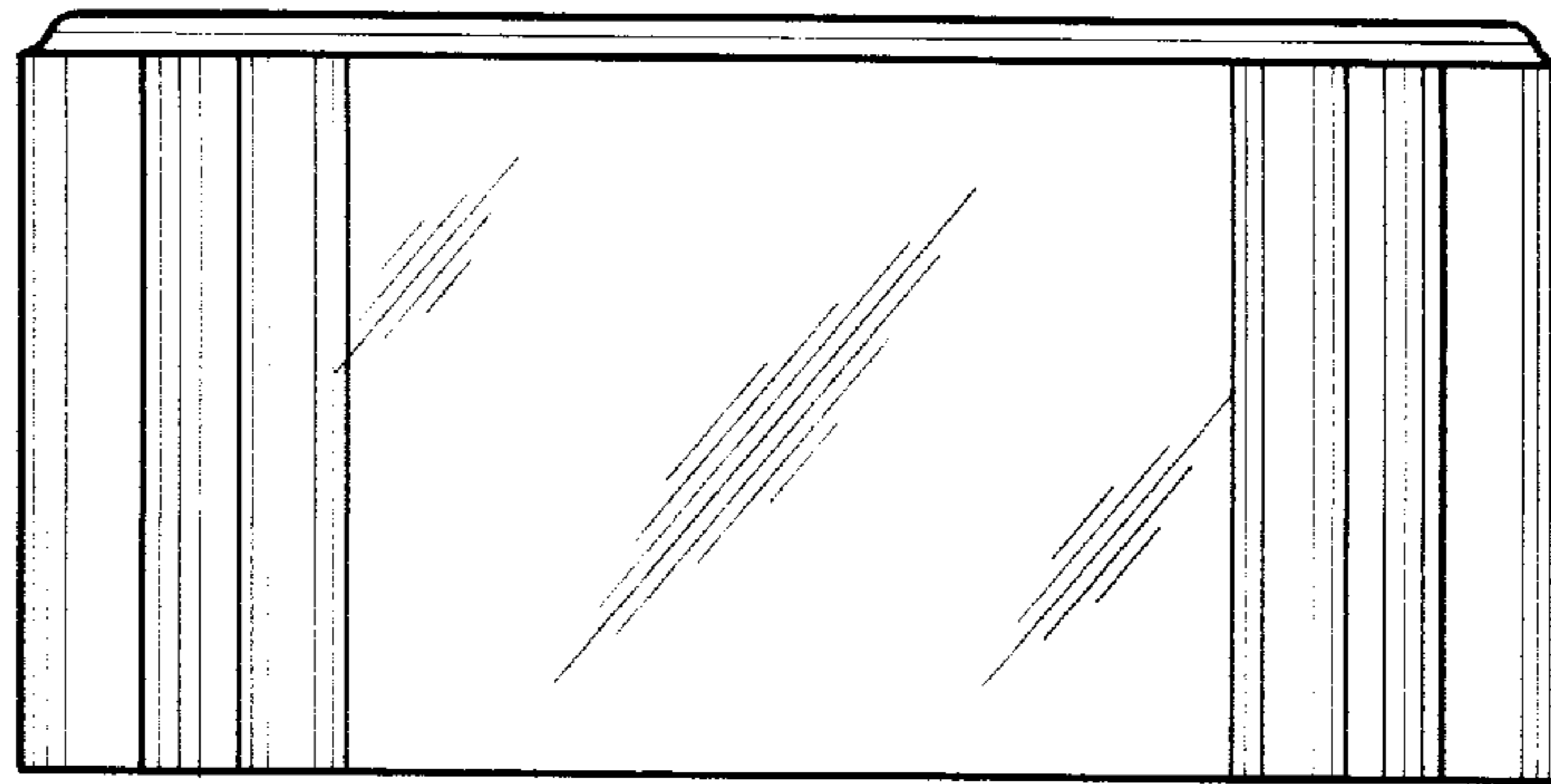


Fig. 18

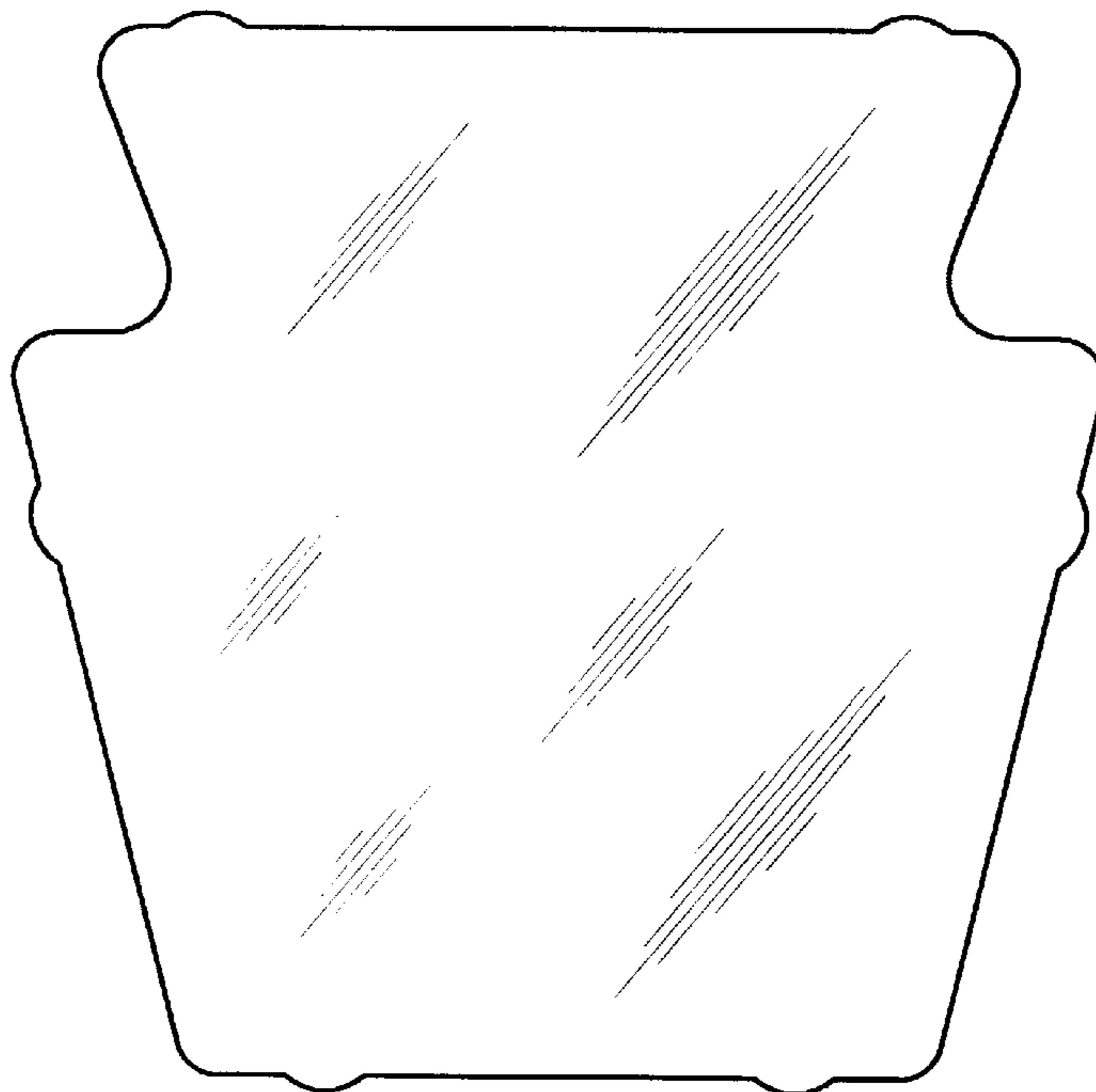


Fig. 19

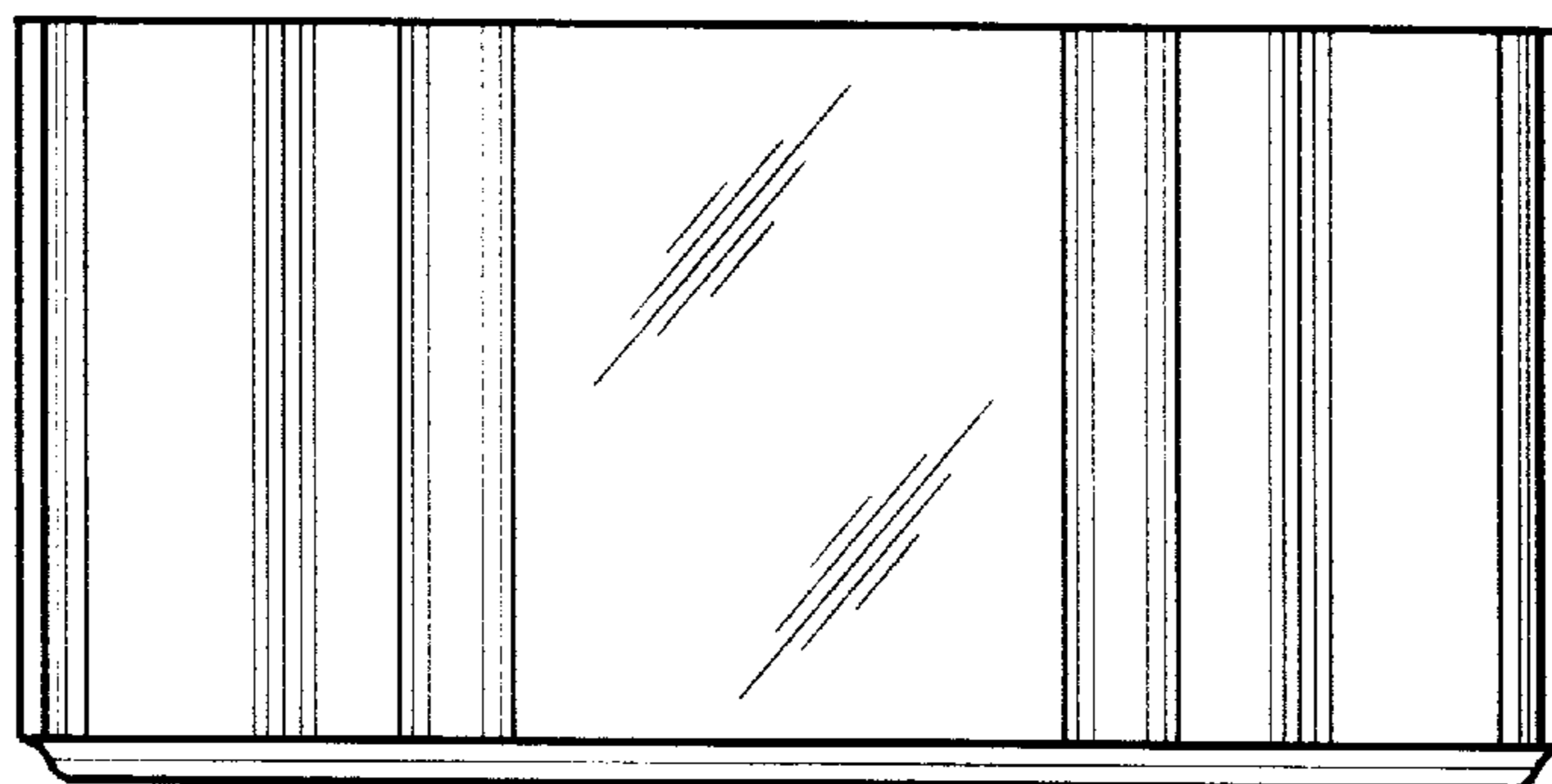


Fig. 20

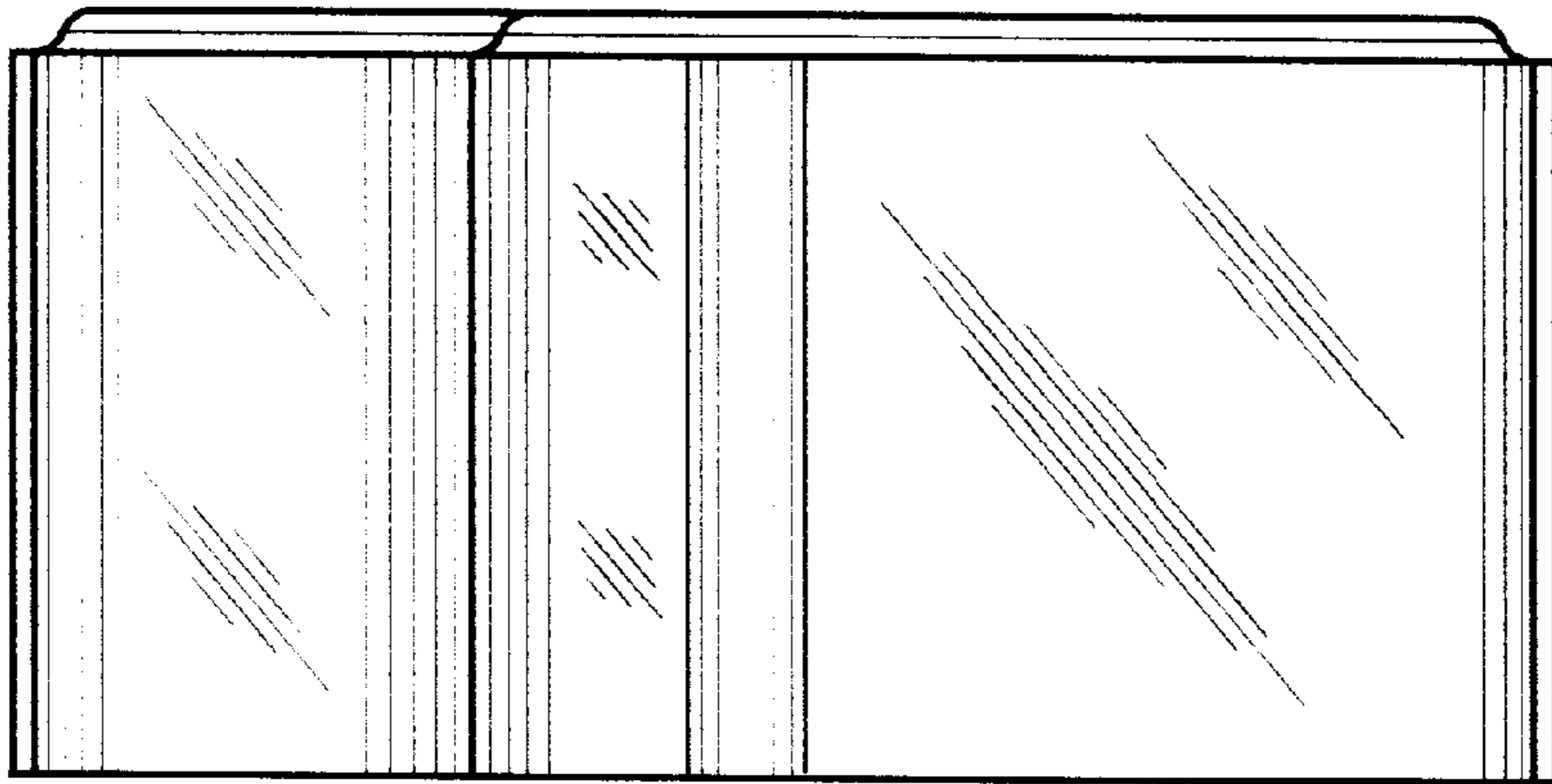


Fig. 21

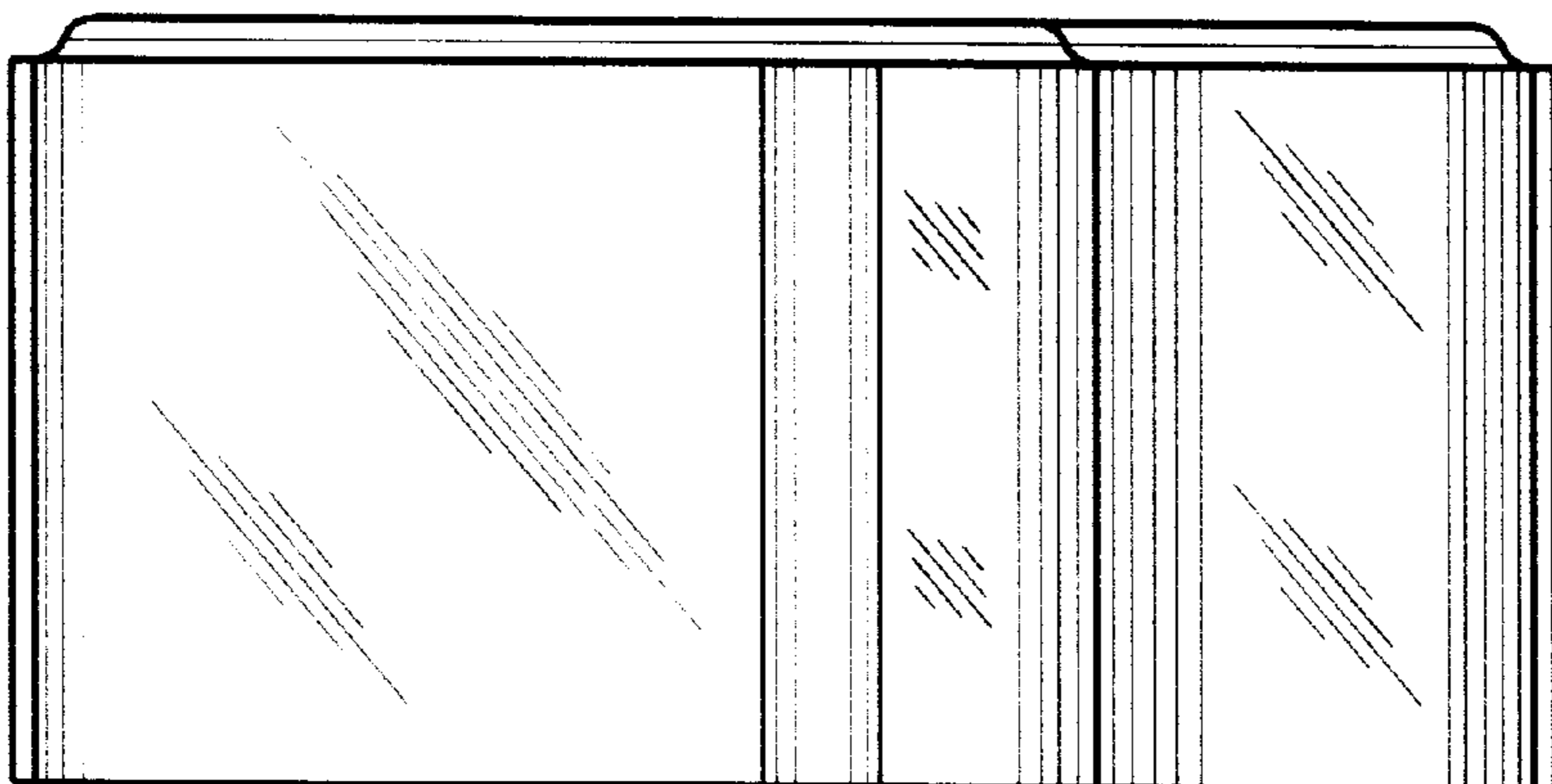


Fig. 22