



US00D460829S

(12) **United States Design Patent**  
**Bradshaw et al.**

(10) **Patent No.:** **US D460,829 S**  
(45) **Date of Patent:** **\*\* Jul. 23, 2002**

(54) **APPARATUS FOR HEATING MICROSCOPE SLIDES**

(75) Inventors: **Gary D. Bradshaw**, Wellsville;  
**Carmelo G. Quirante**, Logan, both of  
UT (US)

(73) Assignee: **Wescor, Inc.**, Logan, UT (US)

(\*\*) Term: **14 Years**

(21) Appl. No.: **29/122,880**

(22) Filed: **May 4, 2000**

**Related U.S. Application Data**

(63) Continuation-in-part of application No. 09/320,434, filed on  
May 26, 1999, now Pat. No. 6,133,548.

(51) **LOC (7) Cl.** ..... **24-01**

(52) **U.S. Cl.** ..... **D24/232; D24/216**

(58) **Field of Search** ..... D24/217, 216,  
D24/231, 232; 219/386, 385, 521, 525,  
451.1, 459.1, 200, 201; 236/2, 3; 422/947,  
104; 435/286.6, 287.2

(56) **References Cited**

**U.S. PATENT DOCUMENTS**

D206,874 S \* 2/1967 Newman ..... D24/232

3,701,201 A 10/1972 Drury  
D229,048 S \* 11/1973 Newman ..... D24/230  
4,384,193 A \* 5/1983 Kledzik et al. .... 219/521  
4,840,771 A \* 6/1989 Williams et al. .... 422/104  
5,276,310 A 1/1994 Schmidt et al.  
5,525,512 A 6/1996 Pieler et al.  
5,782,174 A 7/1998 Cohn et al.  
6,133,548 A \* 10/2000 Grover et al. .... 219/386

\* cited by examiner

*Primary Examiner*—Ian Simmons

(74) *Attorney, Agent, or Firm*—Mallinckrodt &  
Mallinckrodt; Philip A. Mallinckrodt

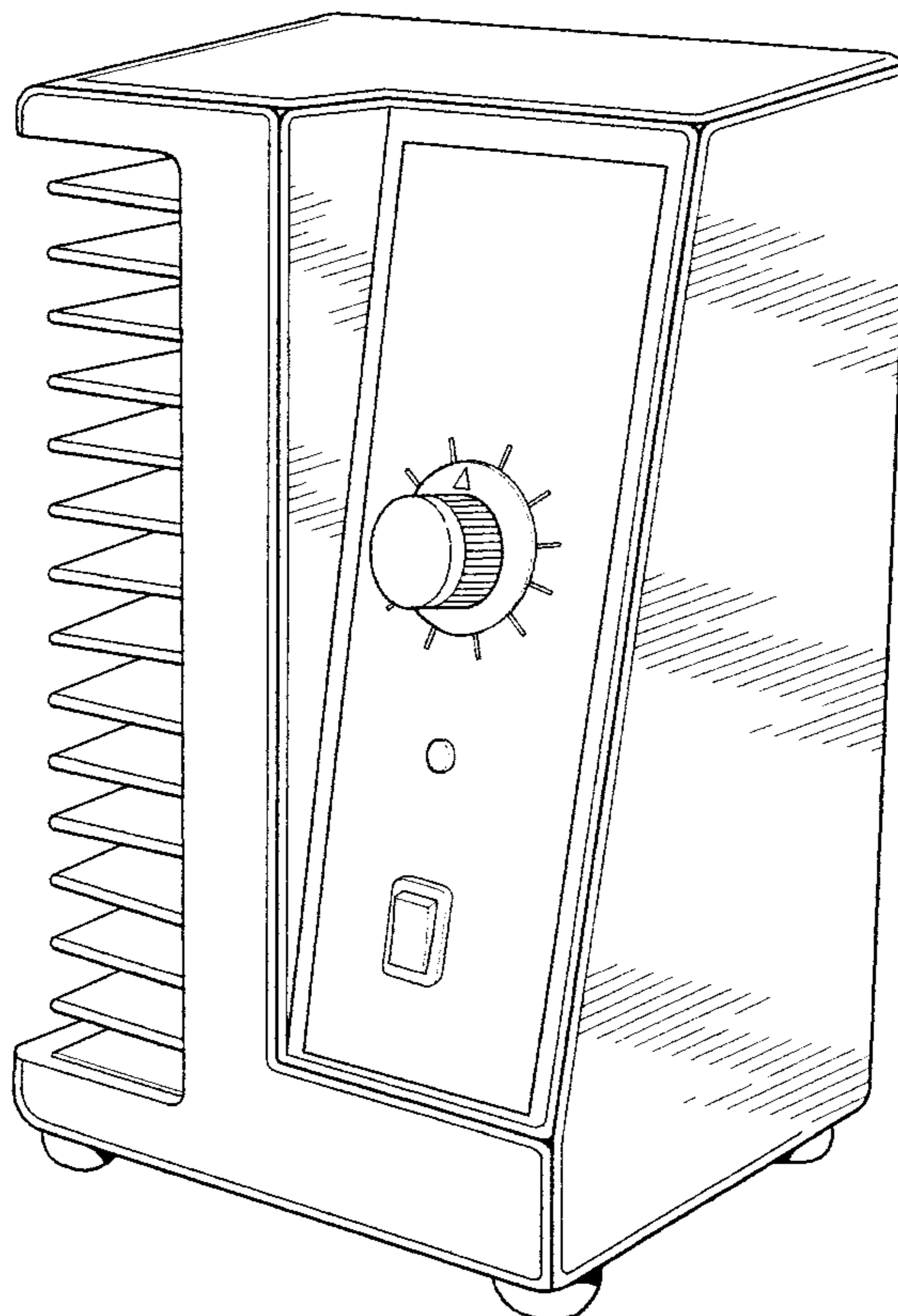
(57) **CLAIM**

The ornamental design for an apparatus for heating micro-  
scope slides, as shown and described.

**DESCRIPTION**

FIG. 1 is a perspective view looking toward the front and  
one side of the apparatus;  
FIG. 2 is a left-hand side elevational view thereof;  
FIG. 3 is a right-hand side elevation view;  
FIG. 4 is a rear elevation;  
FIG. 5 is a top plan view; and,  
FIG. 6 is a bottom plan view.

**1 Claim, 3 Drawing Sheets**



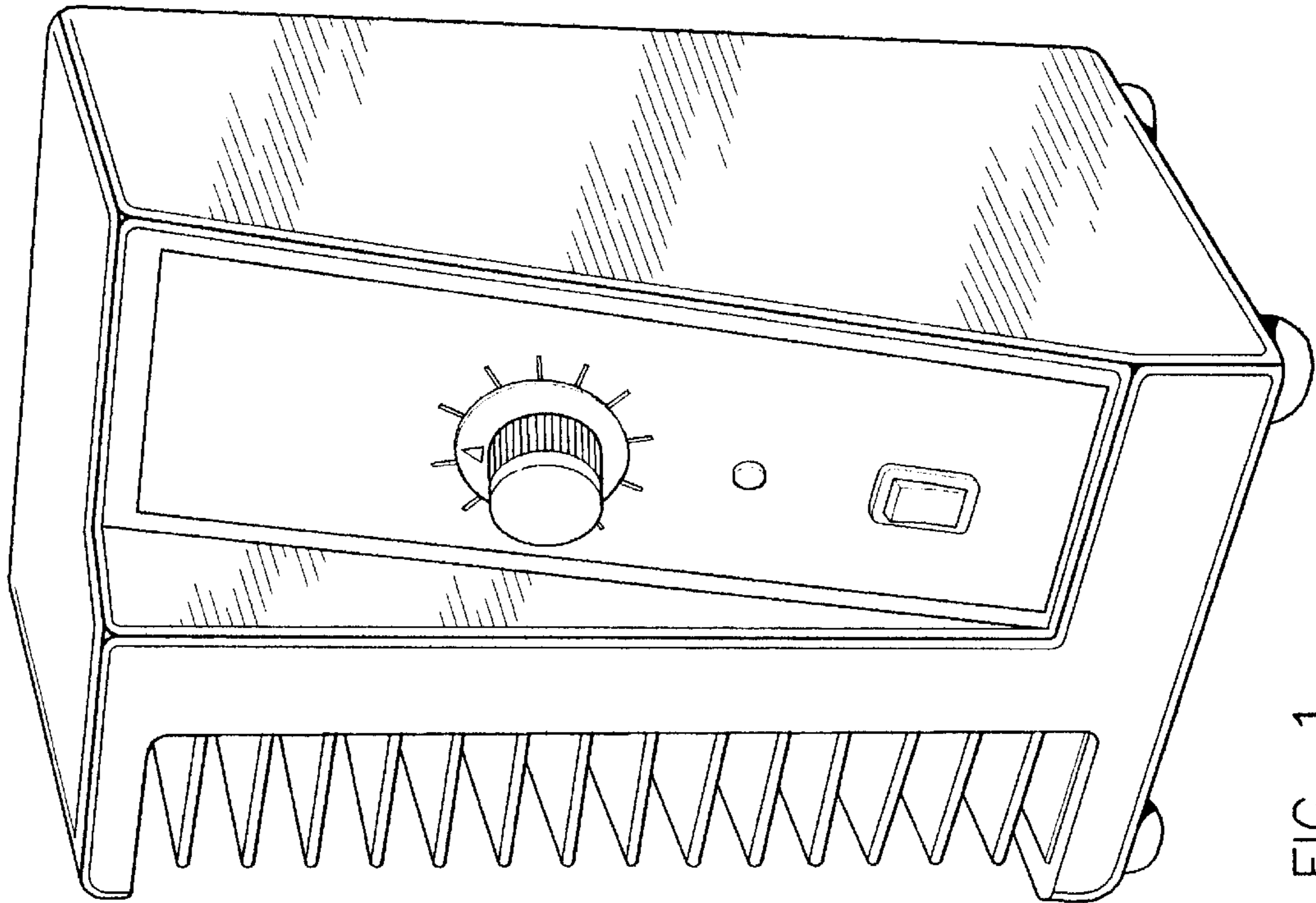


FIG. 1

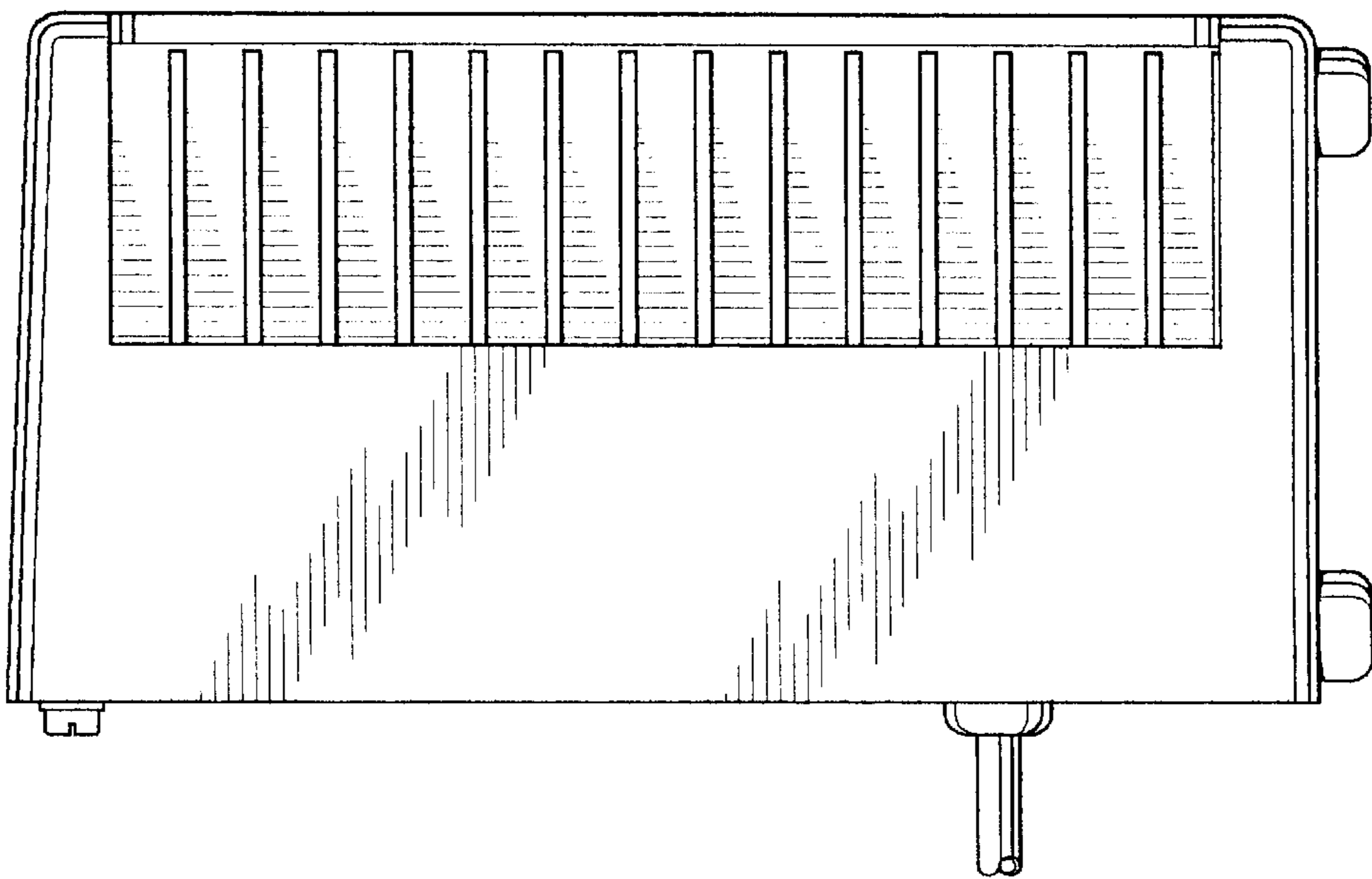


FIG. 2

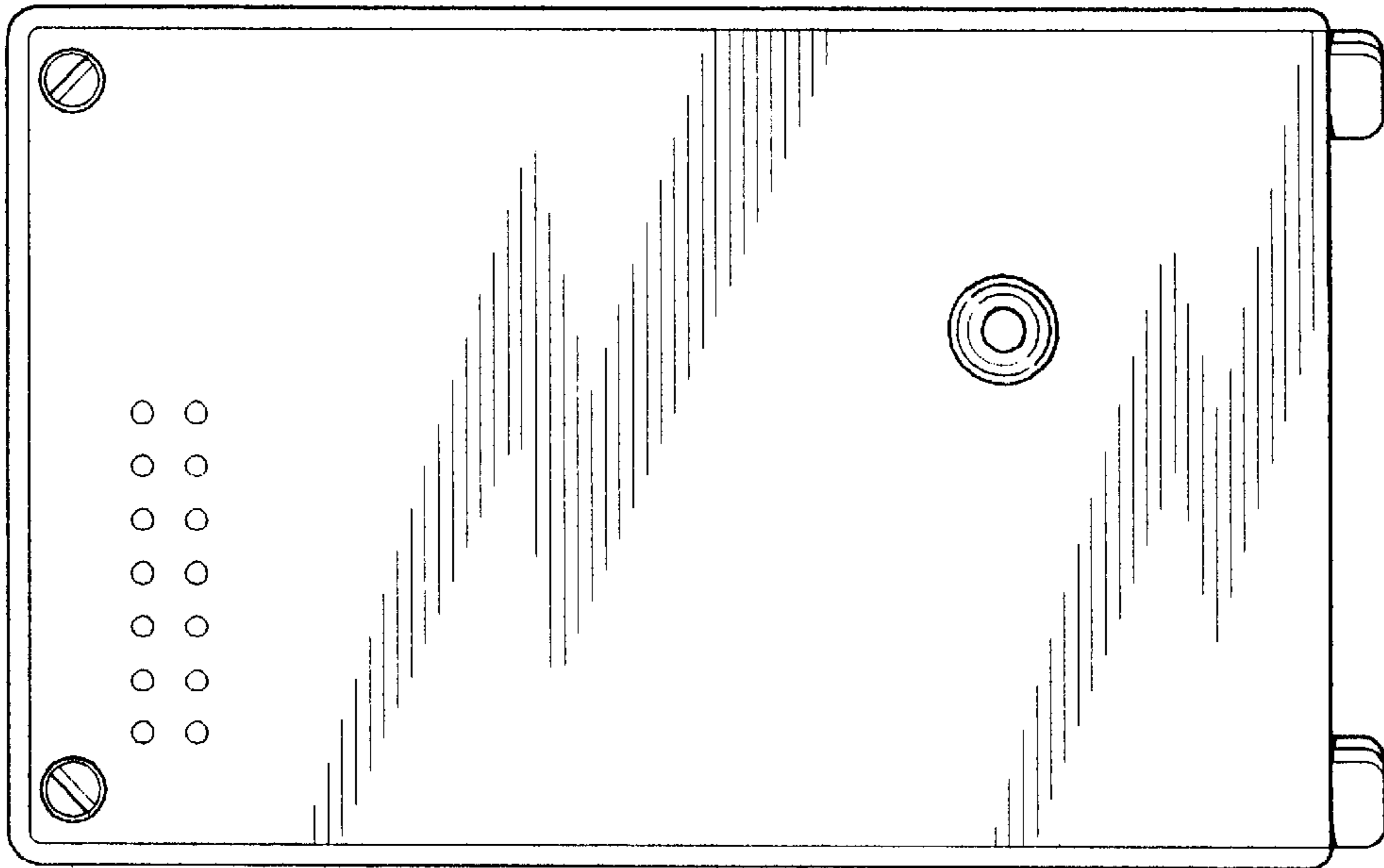


FIG. 4

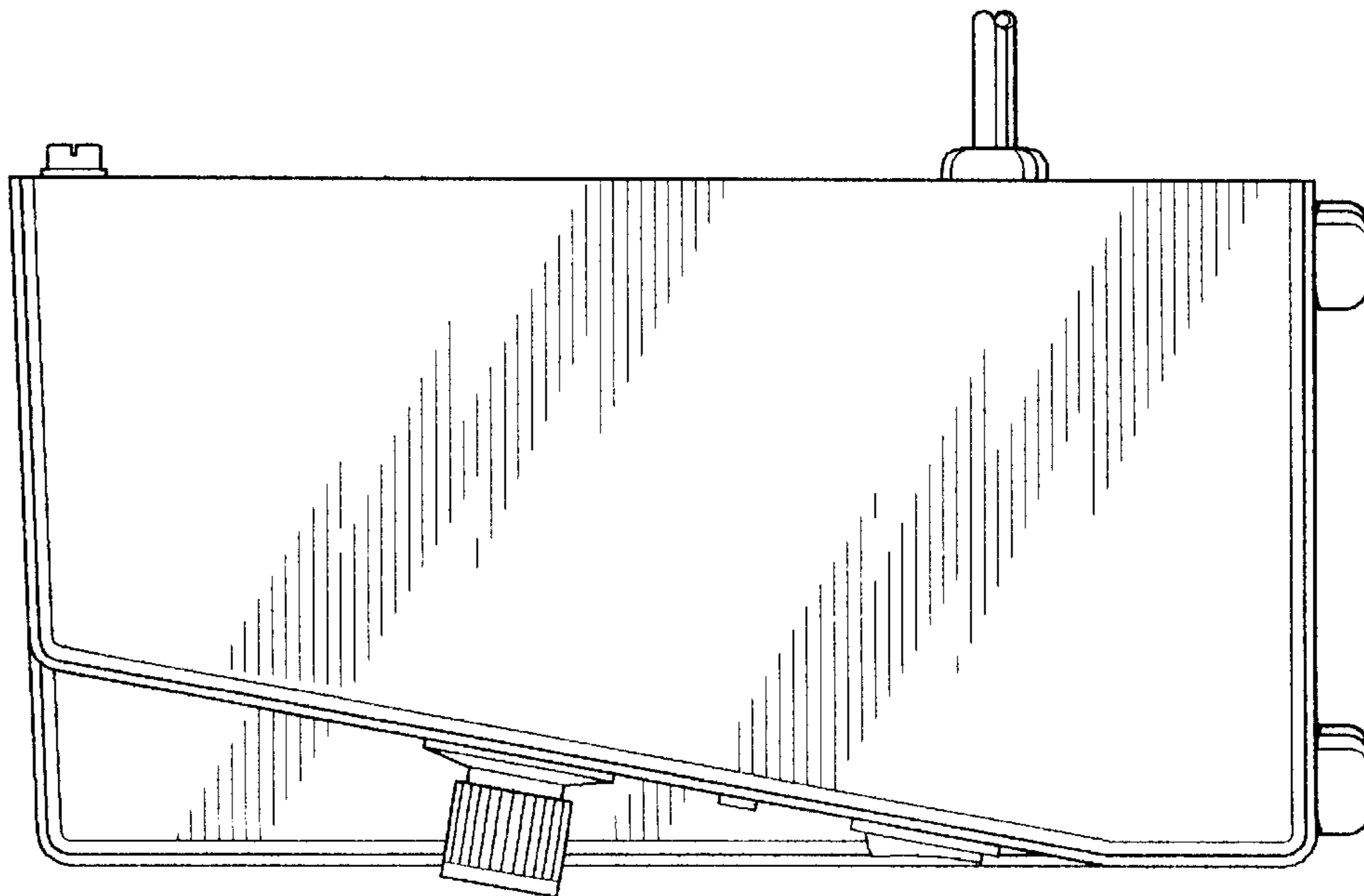


FIG. 3

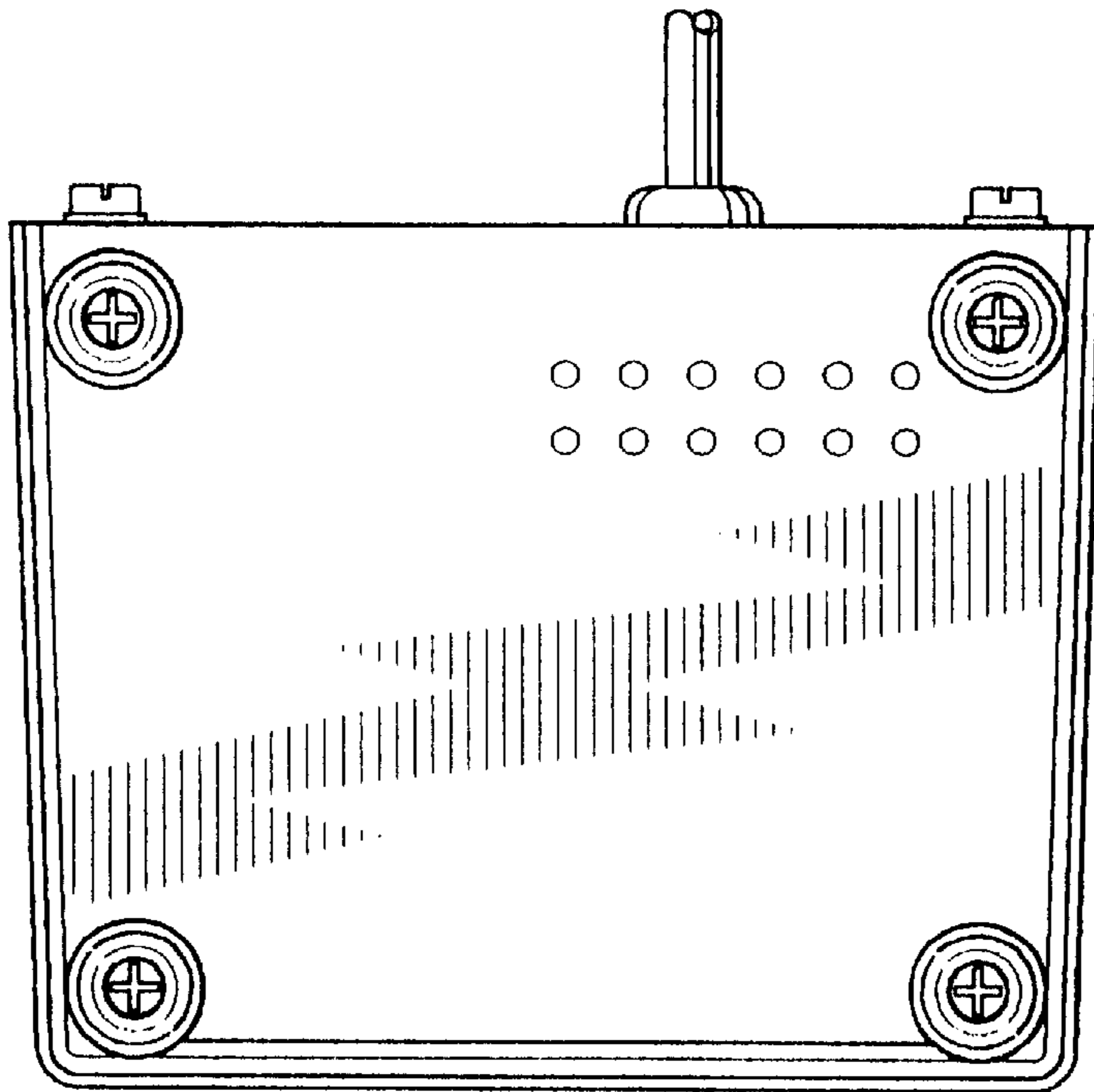


FIG. 6

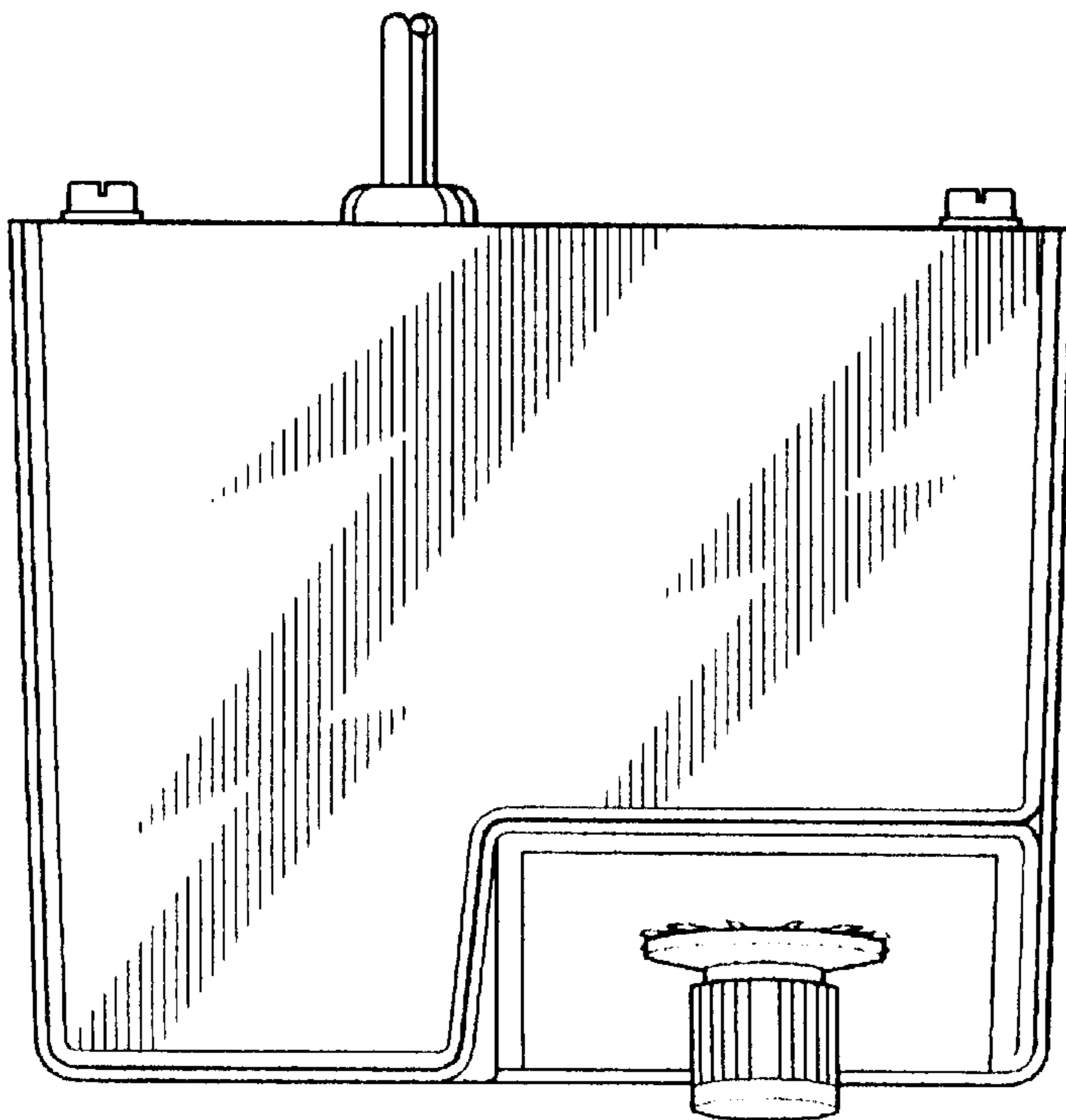


FIG. 5