



US00D460824S

(12) **United States Design Patent**  
**Ames**

(10) **Patent No.:** **US D460,824 S**

(45) **Date of Patent:** **\*\* Jul. 23, 2002**

(54) **THERAPEUTIC ELBOW SUPPORT**

(76) Inventor: **Elliot L. Ames**, 1878 Rte. 70, P.O. Box 4474, Cherry Hill, NJ (US) 08034

(\*\*) Term: **14 Years**

(21) Appl. No.: **29/111,332**

(22) Filed: **Sep. 24, 1999**

(51) **LOC (7) Cl.** ..... **24-04**

(52) **U.S. Cl.** ..... **D24/190**

(58) **Field of Search** ..... D24/190, 192;  
602/20, 26, 27, 62; 2/16

(56) **References Cited**

**U.S. PATENT DOCUMENTS**

3,970,081	A	*	7/1976	Applegate, Jr.	.....	128/95.1
5,069,457	A	*	12/1991	Korzenowski	.....	473/214
5,168,577	A	*	12/1992	Detty	.....	2/16
D353,005	S	*	11/1994	Glidden	.....	D24/190
5,743,806	A	*	4/1998	Brennan	.....	473/214
5,891,079	A	*	4/1999	Barnes	.....	602/61

\* cited by examiner

*Primary Examiner*—Stella Reid

(74) *Attorney, Agent, or Firm*—Woodcock Washburn LLP

(57) **CLAIM**

The ornamental design for a therapeutic elbow support, as shown and described.

**DESCRIPTION**

FIG. 1 is a side elevation of a therapeutic elbow support manifesting the preferred embodiment of my invention;

FIG. 2 is a top plan view of the therapeutic elbow support manifesting the preferred embodiment of my invention illustrated in FIG. 1;

FIG. 3 is a bottom plan view of the therapeutic elbow support manifesting the preferred embodiment of my invention shown in FIGS. 1 and 2;

FIG. 4 is a forearm end view of the therapeutic elbow support manifesting the preferred embodiment of my invention shown in FIGS. 1, 2 and 3, with a tensioning means portion of the therapeutic elbow support shown unfastened; FIG. 5 is a bicep end view of the therapeutic elbow support manifesting the preferred embodiment of my invention shown in FIGS. 1, 2, 3 and 4, with the tensioning means portion of the therapeutic elbow support shown fastened; FIG. 6 is a top plan view of a flexure retention portion of the therapeutic elbow support manifesting the preferred embodiment of my invention shown in FIGS. 1, 2, 3, 4 and 5;

FIG. 7 is a side elevation of the flexure retention portion of the therapeutic elbow support shown in FIG. 6;

FIG. 8 is a side elevation the therapeutic elbow support manifesting the preferred embodiment of my invention shown in FIGS. 1, 2, 3, 4 and 5 after insertion therein of the flexure retention portion illustrated in FIGS. 6 and 7;

FIG. 9 is a sectional view of the therapeutic elbow support manifesting the preferred embodiment of my invention shown in FIGS. 1, 2, 3, 4, 5 and 8 after insertion therein of the flexure retention portion illustrated in FIGS. 6 and 7, taken at plane 9—9 in FIG. 8;

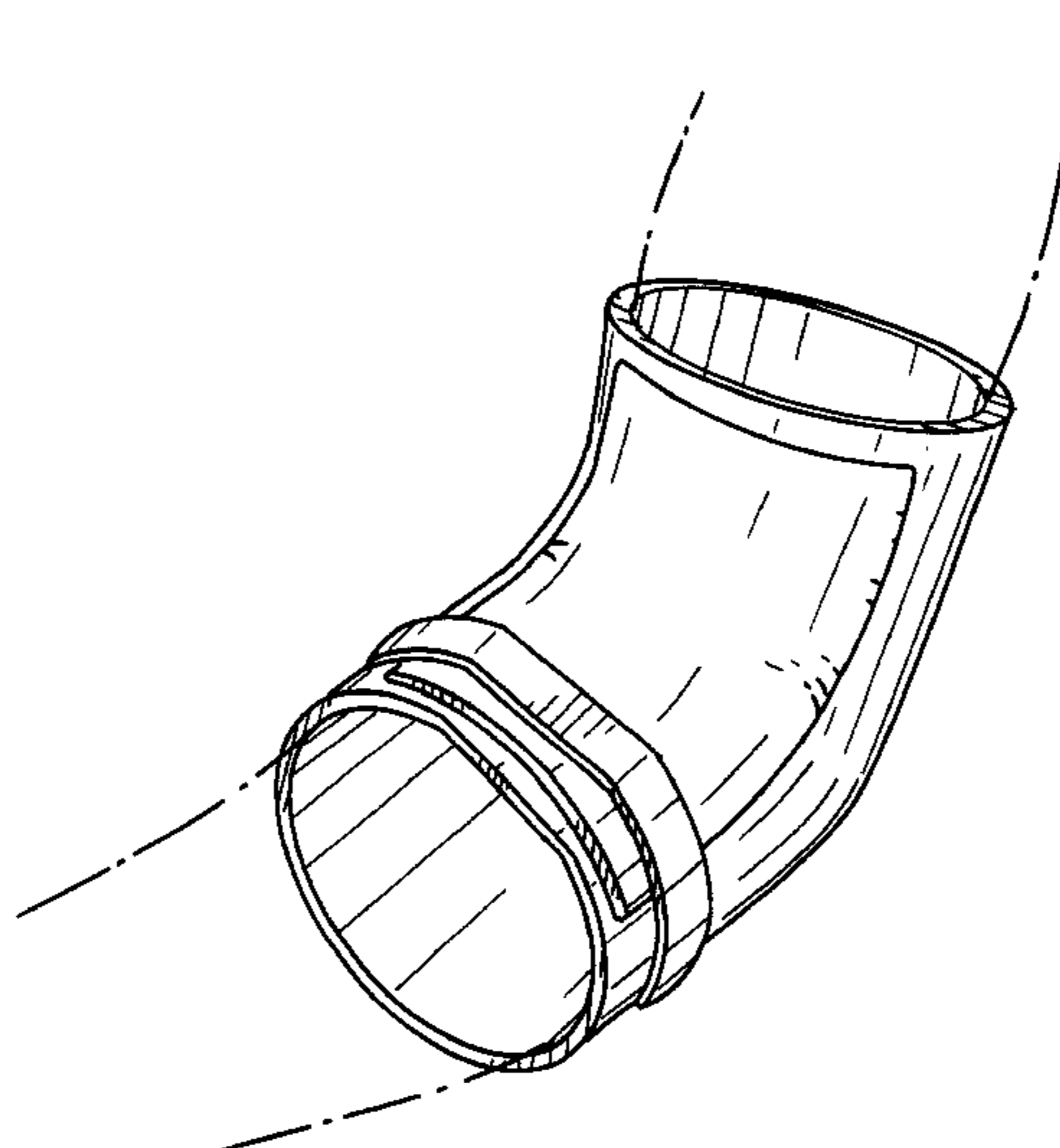
FIG. 10 is a bottom plan view of the flexure retention portion of the therapeutic elbow support shown in FIGS. 6 and 7 with fabric fastening means depicted;

FIG. 11 is a perspective view of the therapeutic elbow support manifesting the preferred embodiment of my invention shown in FIGS. 1, 2, 3, 4, 5 and 8 positioned on the arm about the elbow of a wearer, with the elbow flexed and the ulna facing the viewer; and,

FIG. 12 is a perspective view of the therapeutic elbow support manifesting the preferred embodiment of my invention shown in FIGS. 1, 2, 3, 4, 5, 8 and 11 positioned on the arm about the elbow of a wearer, with the elbow flexed and looking at the inside of the elbow.

The broken lines in FIGS. 11 and 12 showing an arm of a wearer are for illustrative purposes only and form no part of the claimed design.

**1 Claim, 5 Drawing Sheets**



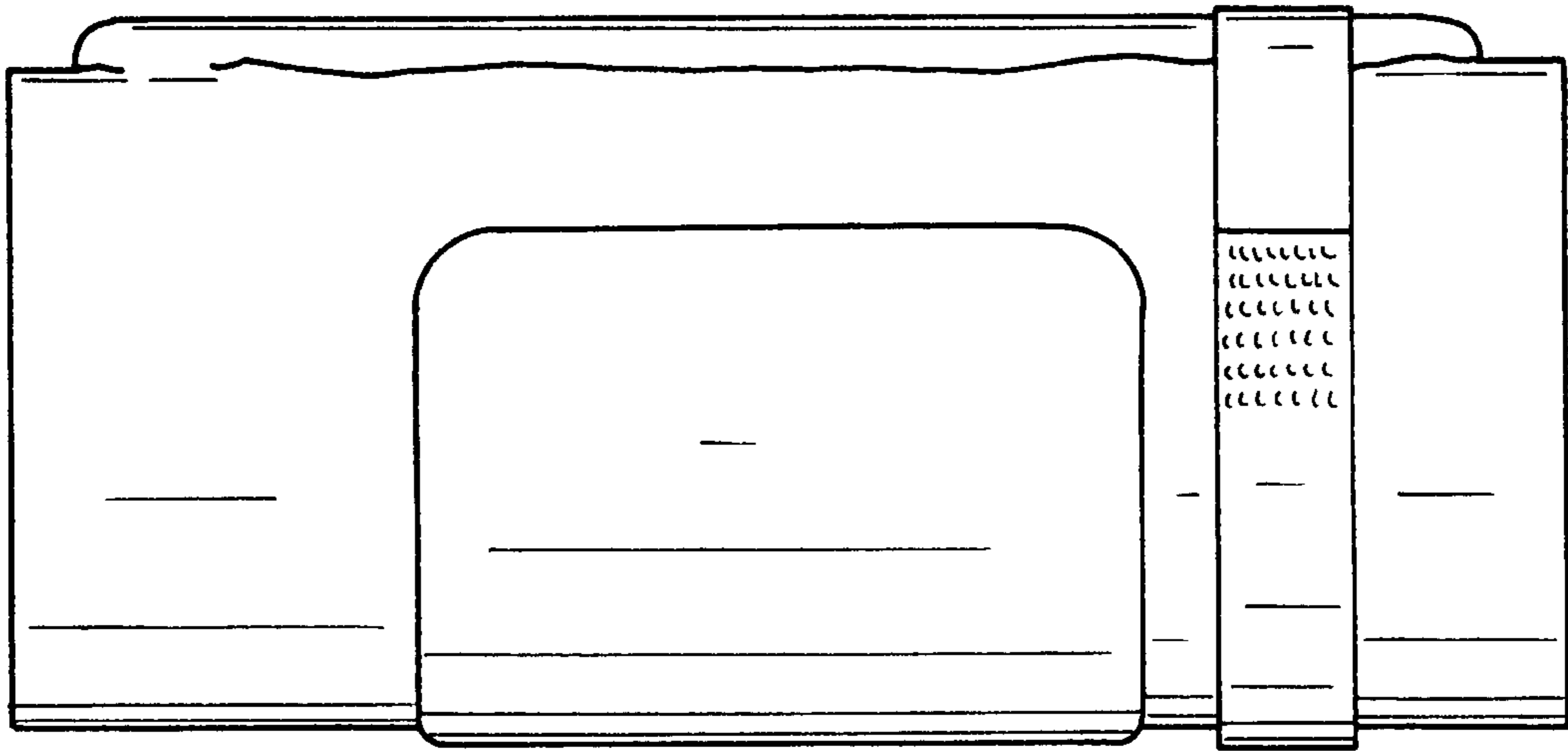


FIG. 1

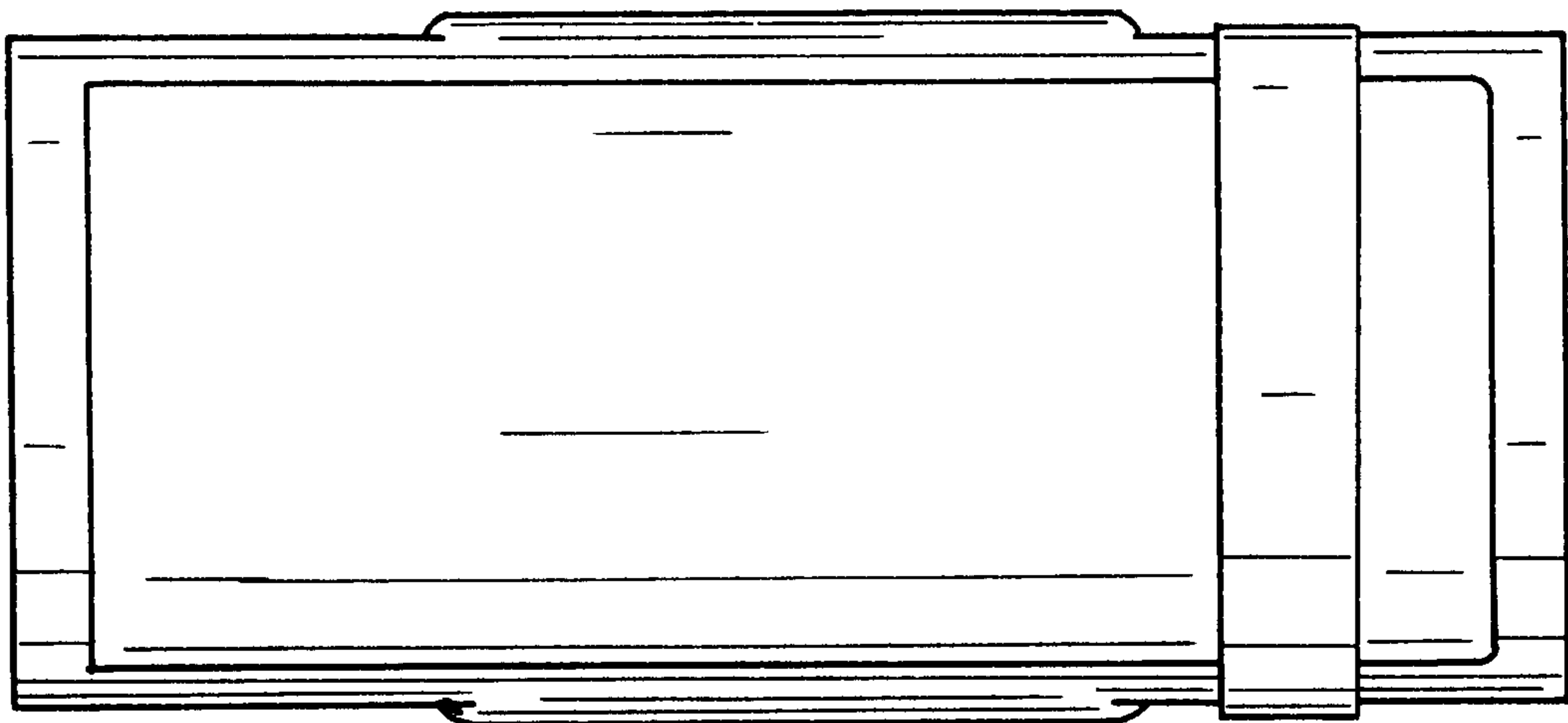


FIG. 2

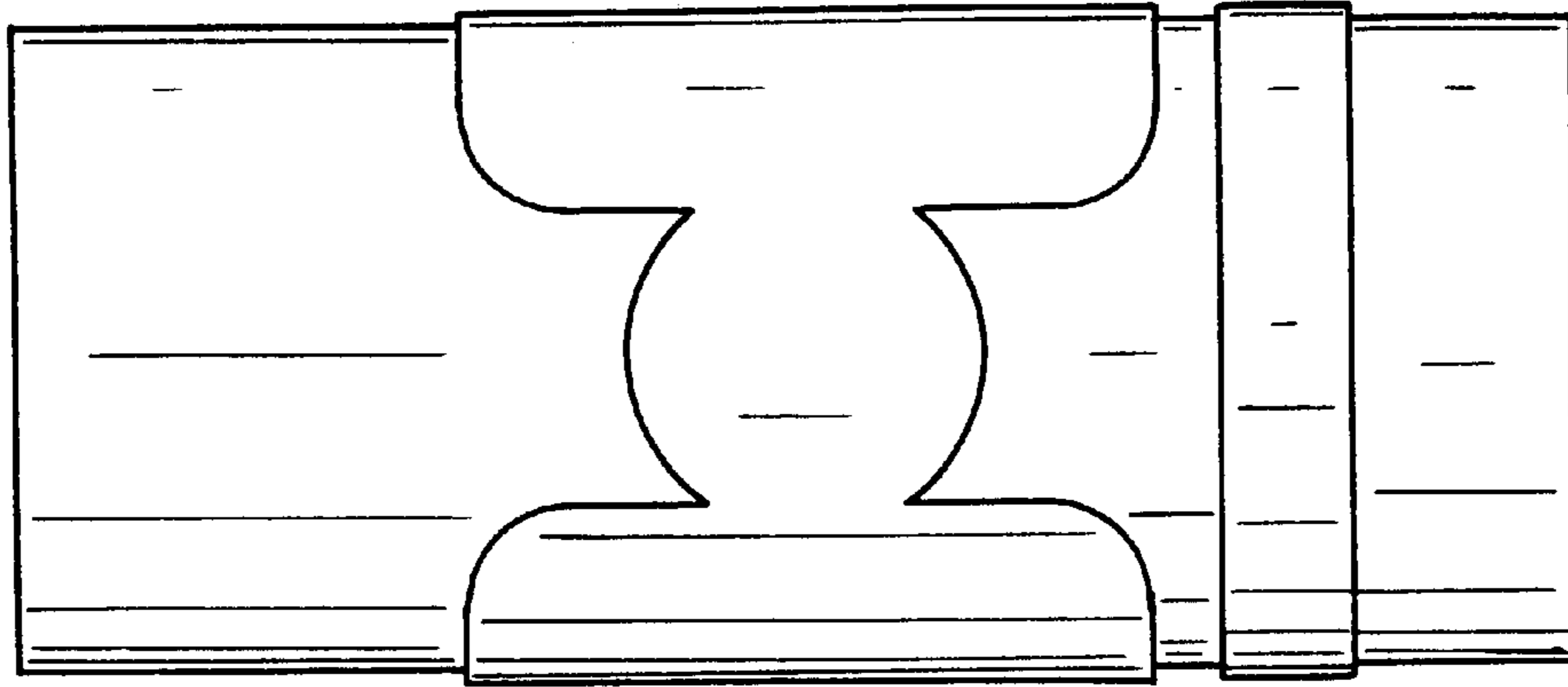


FIG. 3

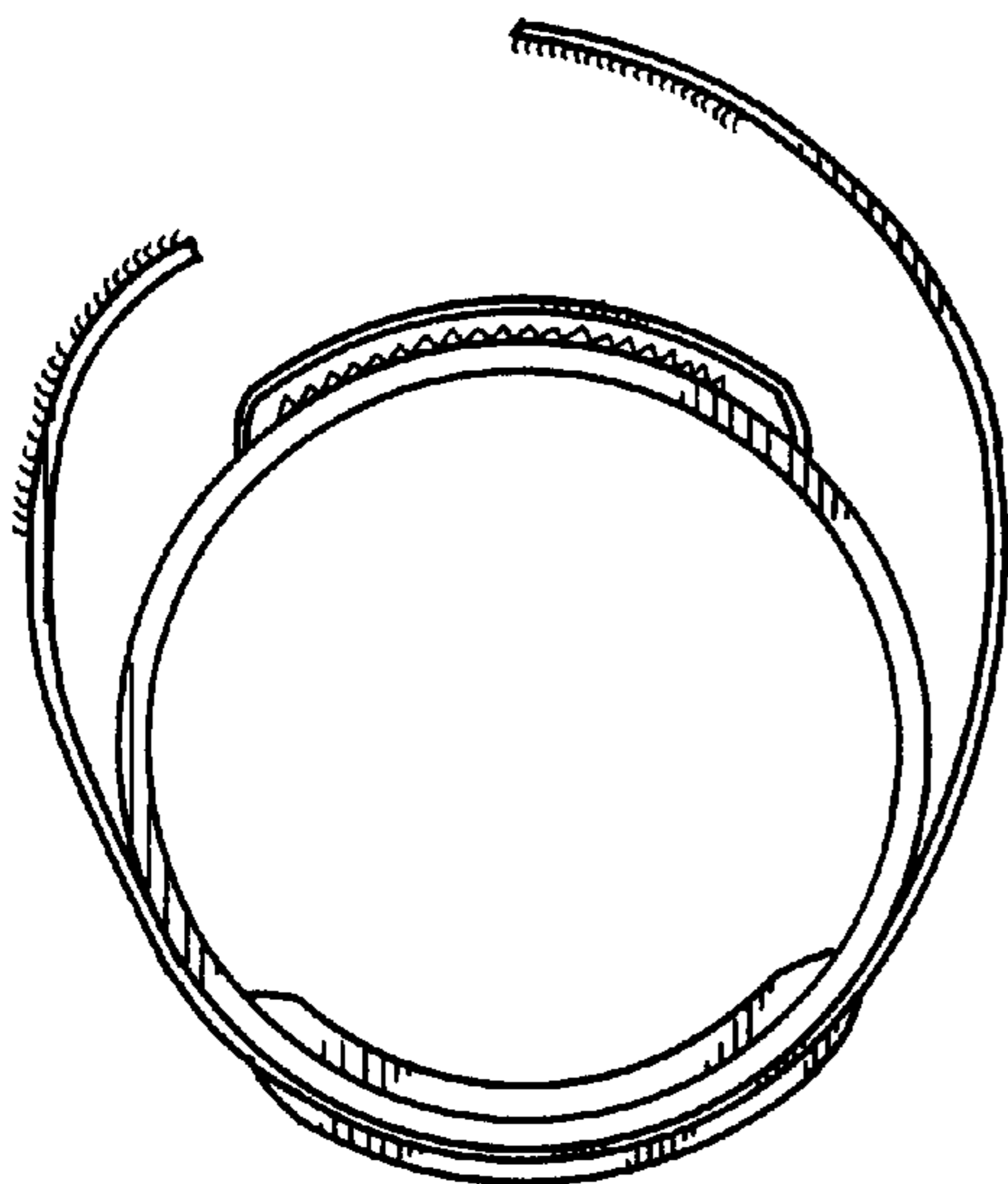


FIG. 4

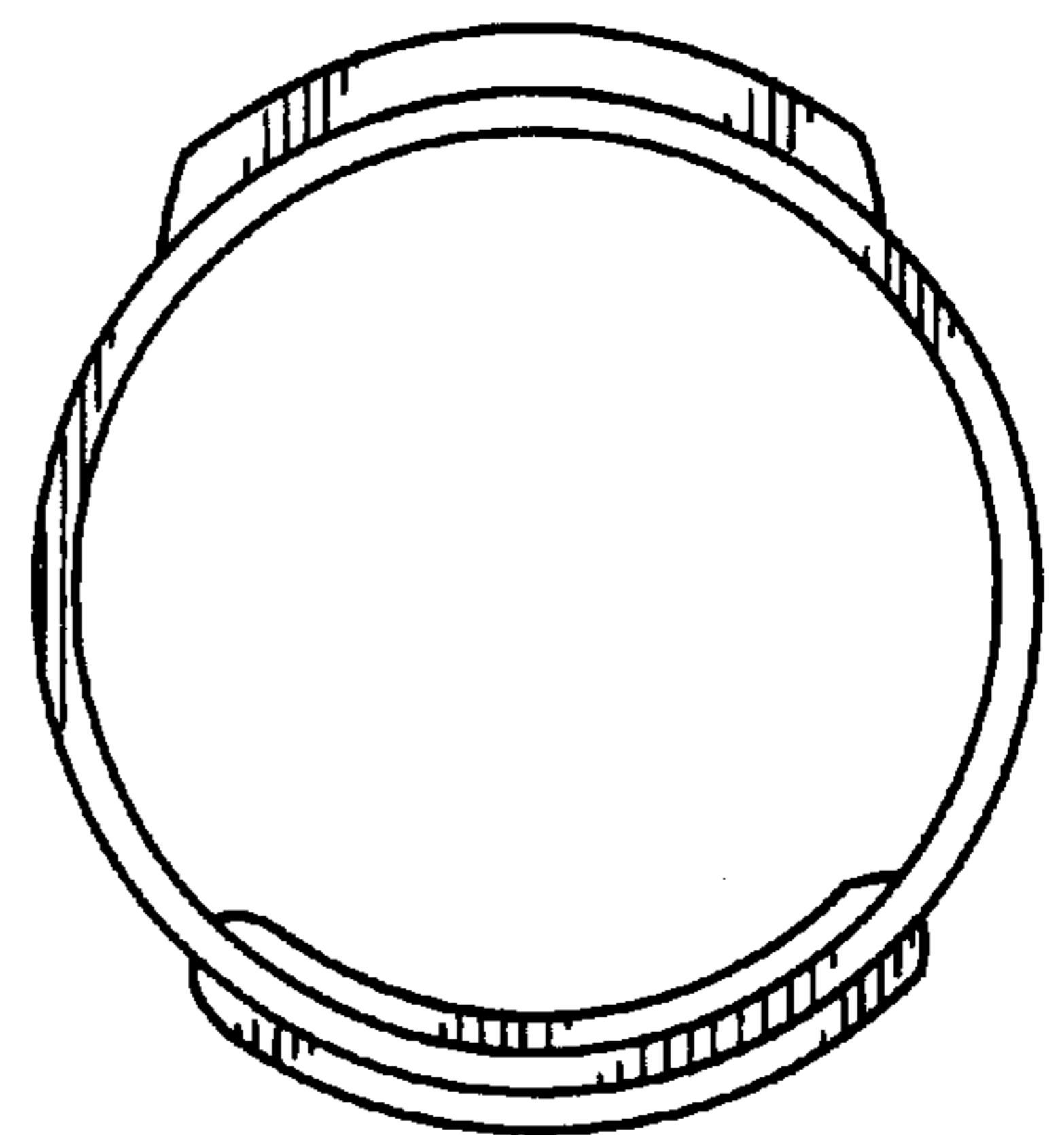


FIG. 5

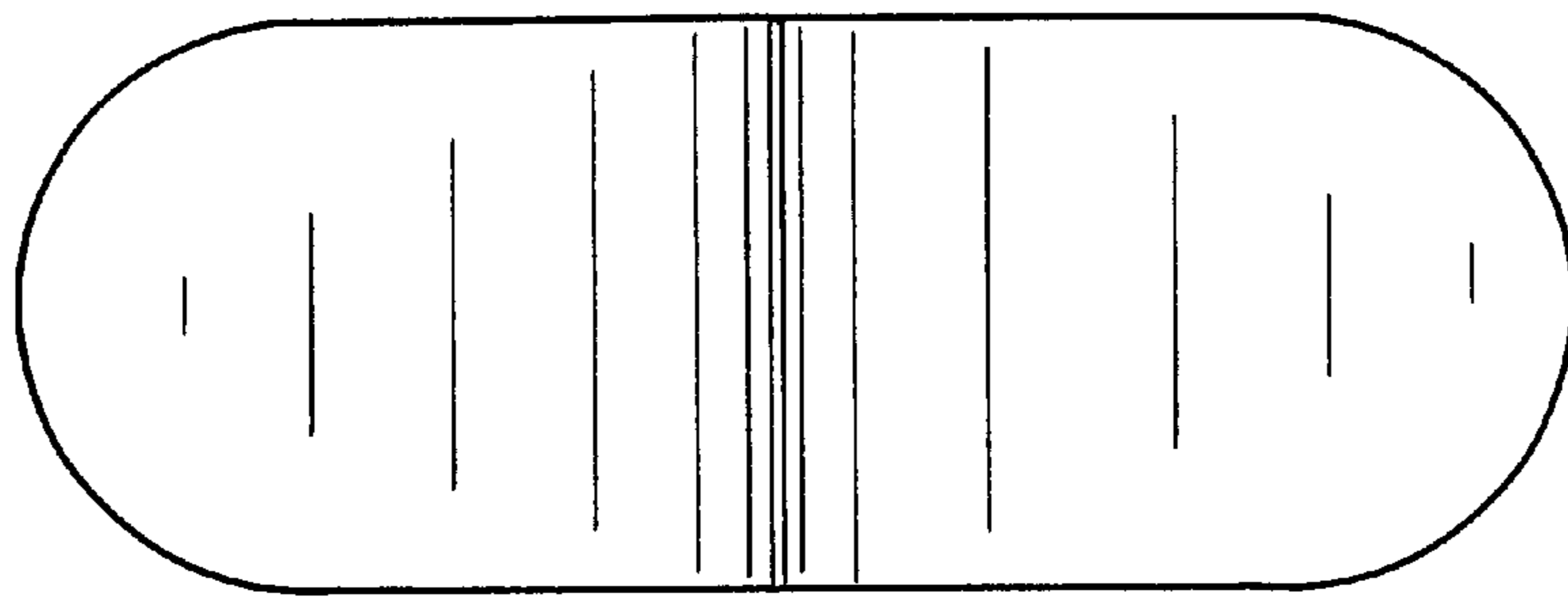


FIG. 6

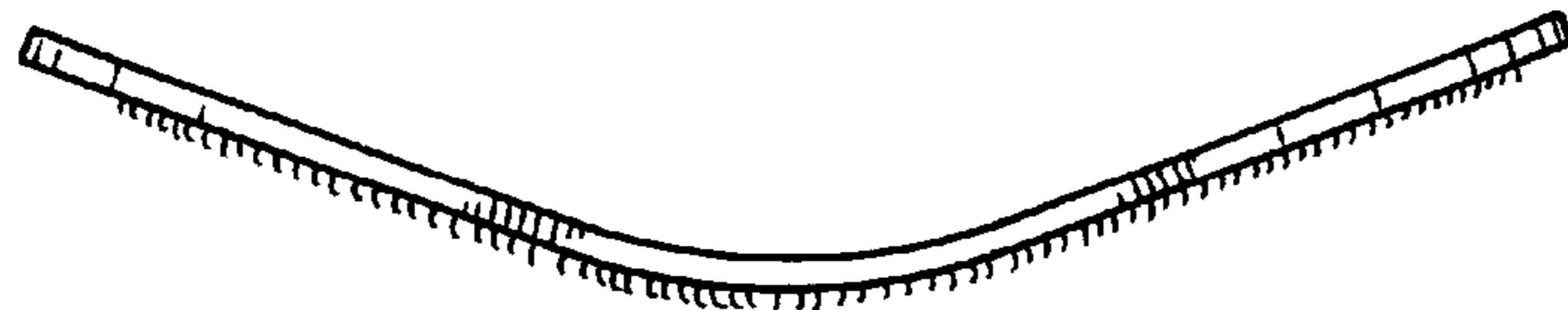


FIG. 7

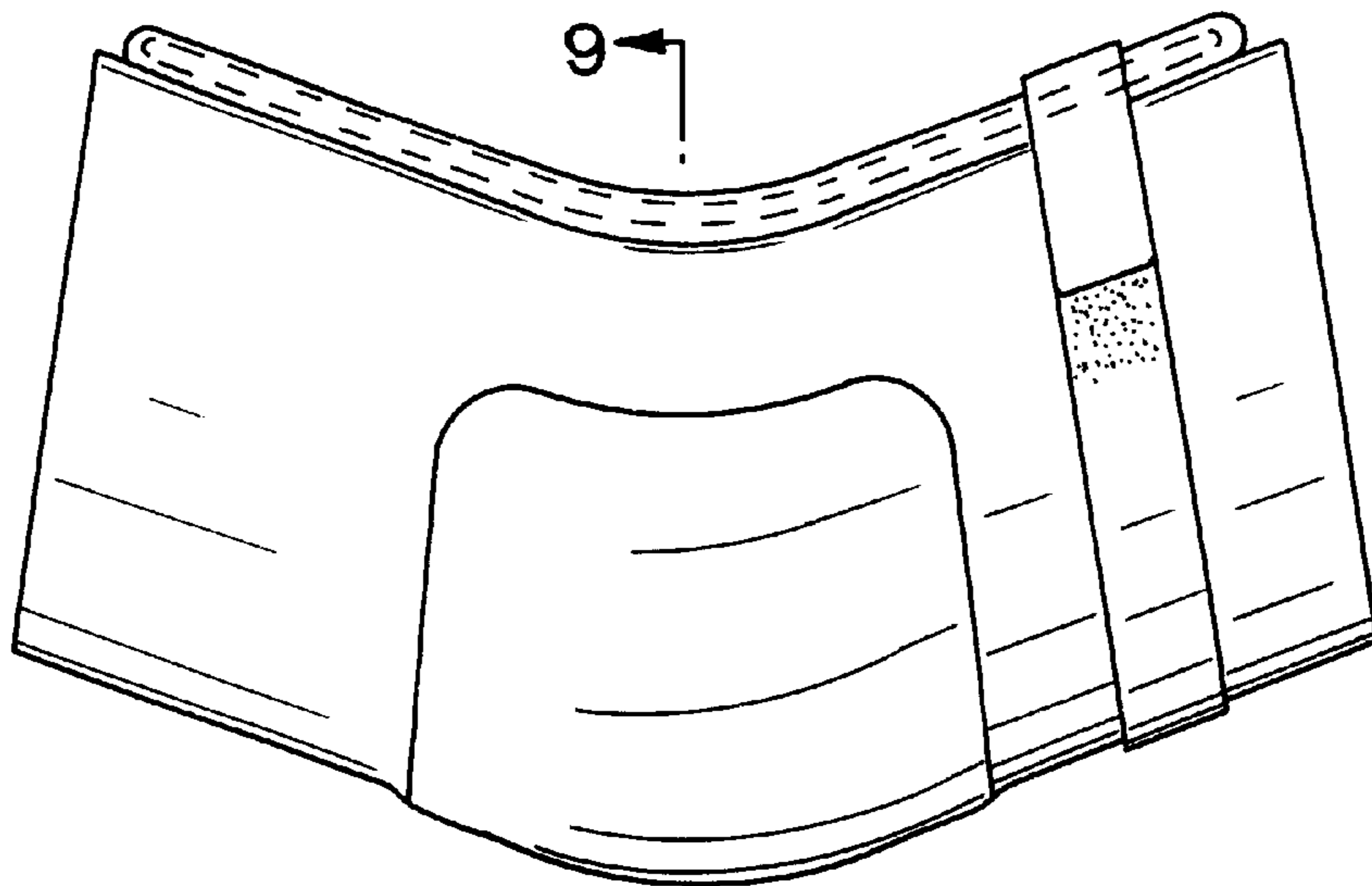


FIG. 8

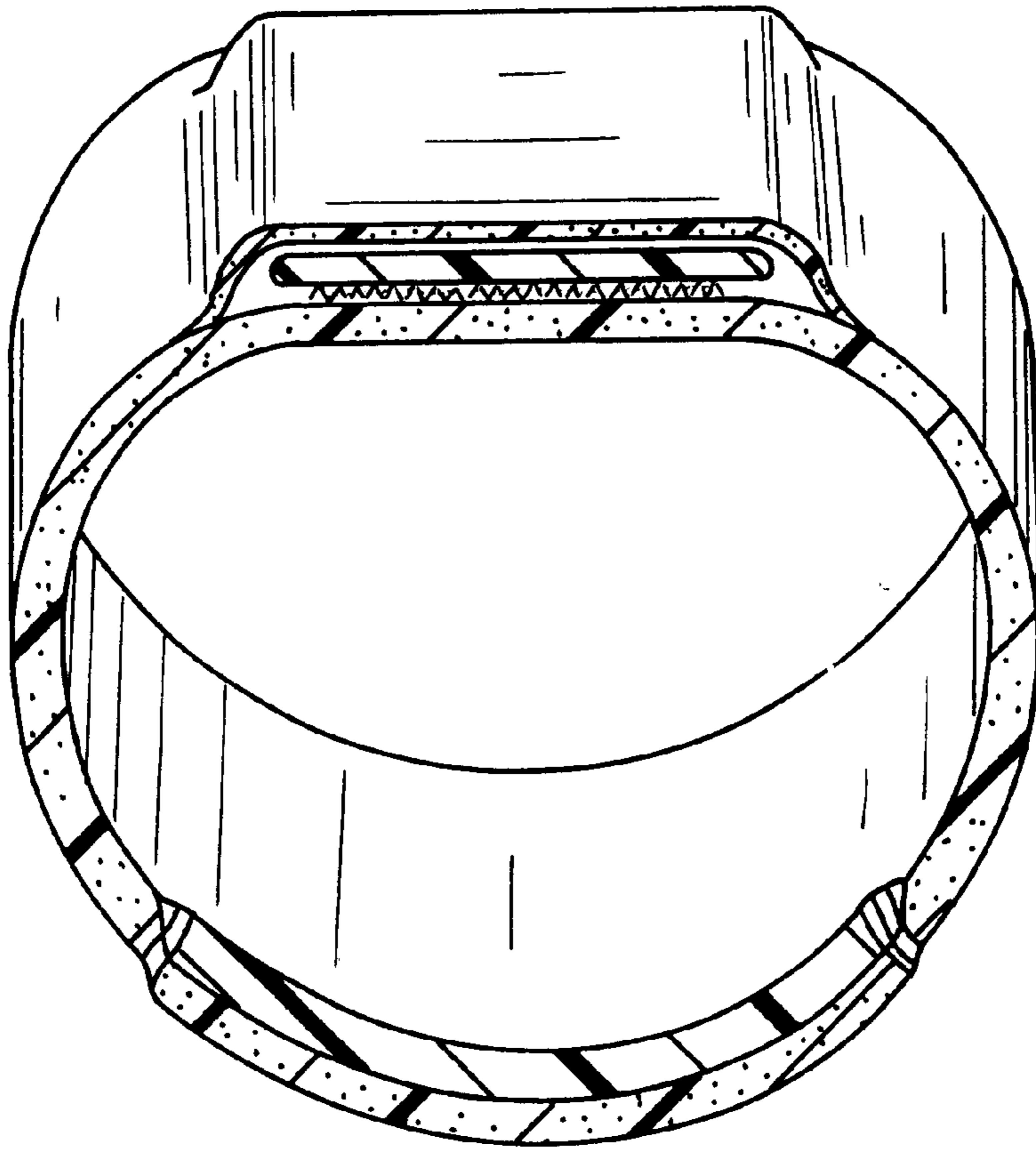


FIG. 9

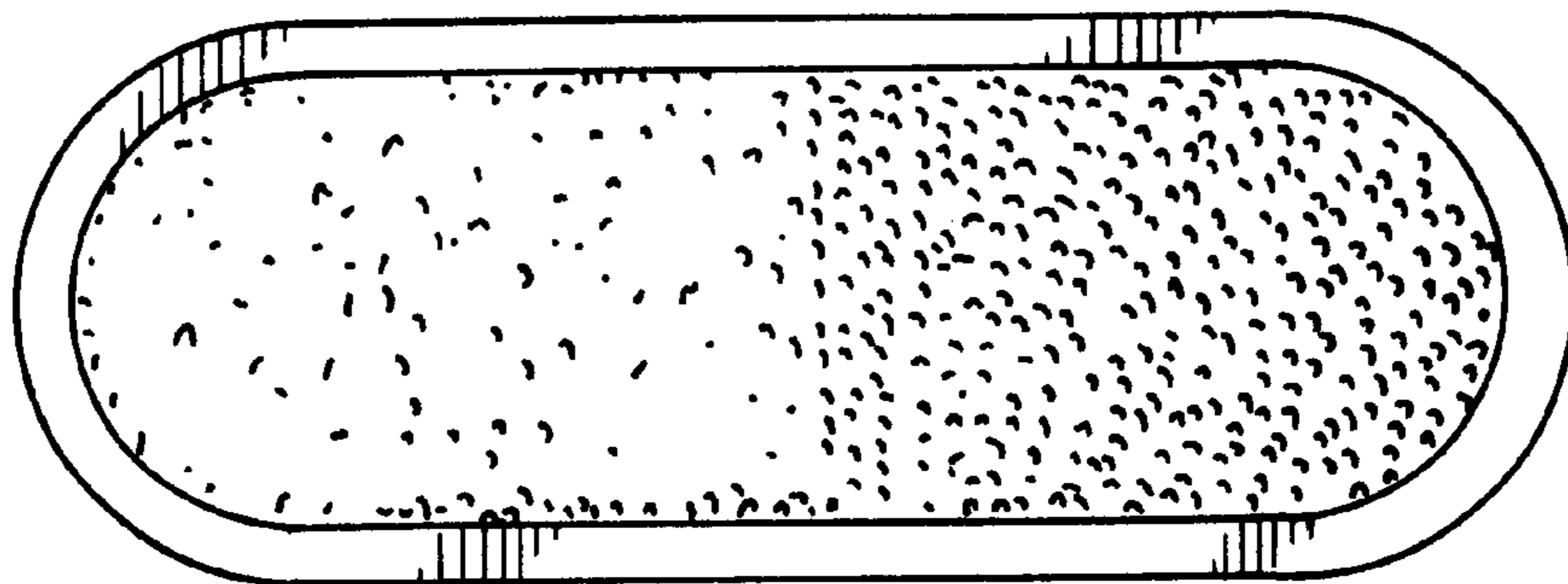


FIG. 10

FIG. 11

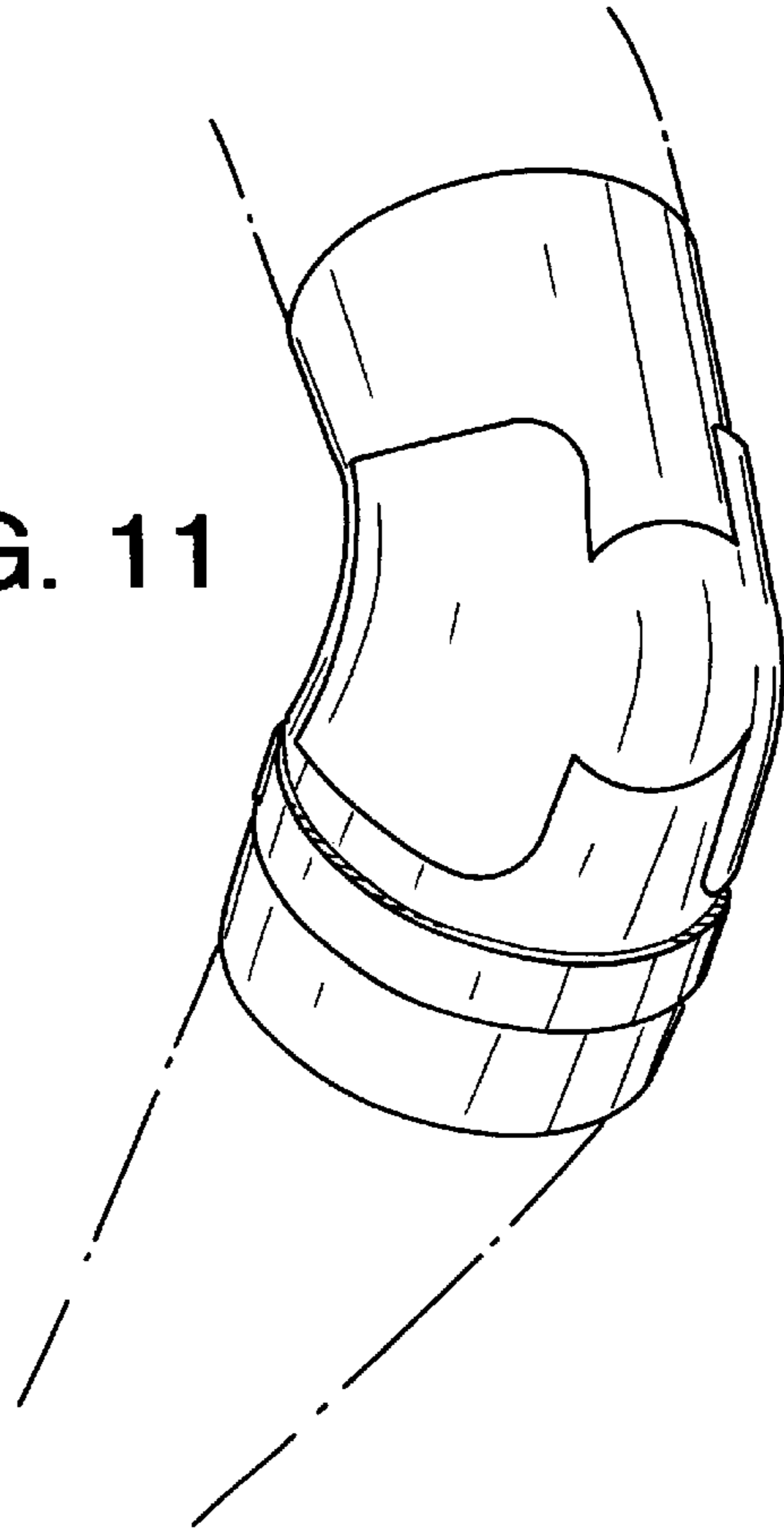


FIG. 12

