



US00D460822S

(12) **United States Design Patent**
Dragan et al.

(10) **Patent No.:** **US D460,822 S**

(45) **Date of Patent:** **** Jul. 23, 2002**

(54) **DENTAL MATERIAL PLACEMENT AND APPLICATOR DEVICE**

(75) Inventors: **William B. Dragan**, Easton; **John J. Discko, Jr.**, Trumbull, both of CT (US)

(73) Assignee: **Centrix, Inc.**, Shelton, CT (US)

(**) Term: **14 Years**

(21) Appl. No.: **29/125,214**

(22) Filed: **Jun. 20, 2000**

Related U.S. Application Data

(62) Division of application No. 29/091,148, filed on Jul. 23, 1998.

(51) **LOC (7) Cl.** **24-02**

(52) **U.S. Cl.** **D24/152; D24/119**

(58) **Field of Search** D24/119, 171, D24/152; 433/90, 89; 604/311, 176, 177, 171; 401/132

(56) **References Cited**

U.S. PATENT DOCUMENTS

- 3,777,949 A * 12/1973 Chiquiari-Arias 401/132
- 4,391,590 A 7/1983 Dougherty
- 4,578,055 A 3/1986 Fischer
- 4,758,158 A 7/1988 Pierce et al.
- 4,963,093 A 10/1990 Dragan
- 4,969,816 A 11/1990 Drumm
- 4,997,371 A * 3/1991 Fischer 433/90
- 5,001,803 A 3/1991 Discko, Jr.
- 5,052,927 A 10/1991 Discko, Jr.

- 5,150,495 A 9/1992 Discko, Jr.
- 5,246,371 A 9/1993 Fischer
- 5,286,257 A 2/1994 Fischer
- 5,324,273 A 6/1994 Discko, Jr.
- D359,119 S 6/1995 Dragan et al.
- D377,216 S 1/1997 Mark
- D385,964 S 11/1997 Mark
- 5,707,234 A 1/1998 Bender
- 5,816,804 A 10/1998 Fischer
- 5,819,921 A 10/1998 Schmid
- D403,768 S 1/1999 Mark et al.

FOREIGN PATENT DOCUMENTS

DE 39 37 030 C2 11/1995

* cited by examiner

Primary Examiner—Ian Simmons

(74) *Attorney, Agent, or Firm*—Fattibene & Fattibene; Paul A. Fattibene; Arthur T. Fattibene

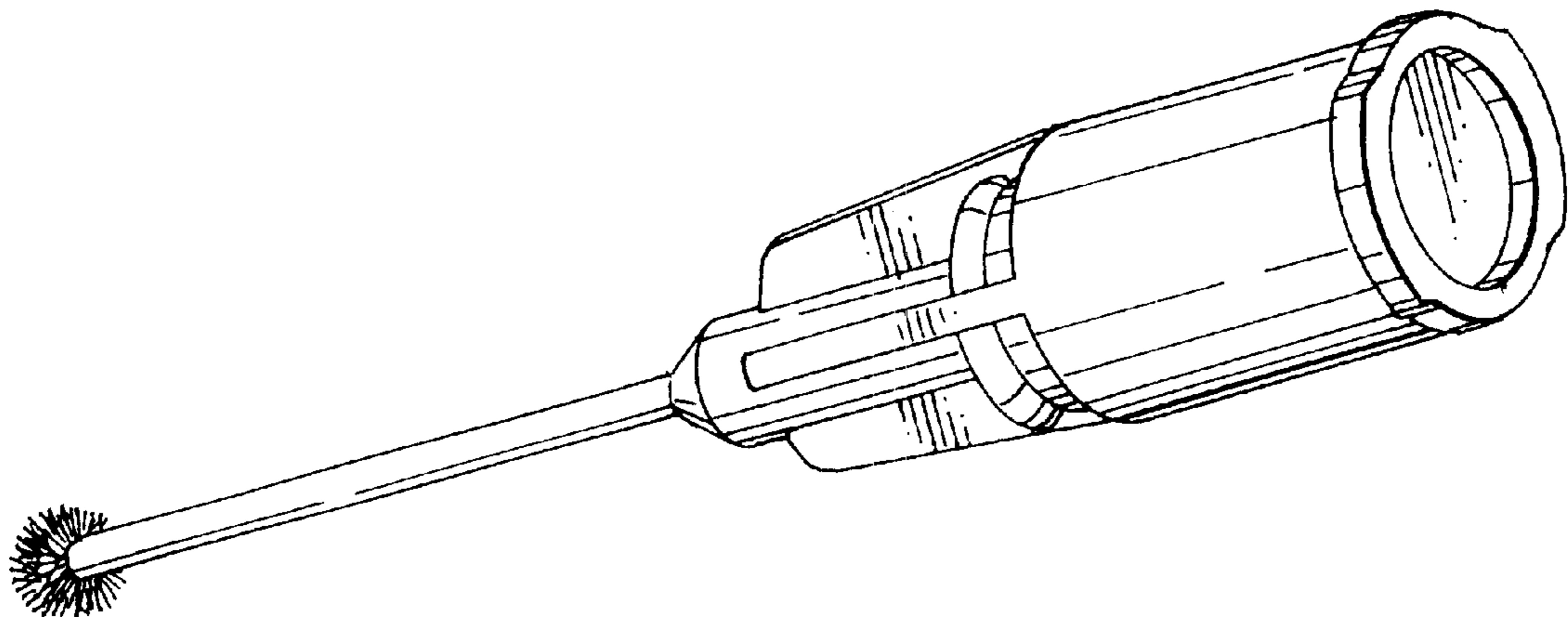
(57) **CLAIM**

The ornamental design for a dental material placement and applicator device, as shown and described.

DESCRIPTION

FIG. 1 is a perspective view of a dental material placement and applicator device showing our new design;
 FIG. 2 is a side elevation view thereof, the other side being the same;
 FIG. 3 is a top view thereof, the bottom view being the same;
 FIG. 4 is a front end view thereof; and,
 FIG. 5 is a rear view thereof.

1 Claim, 1 Drawing Sheet



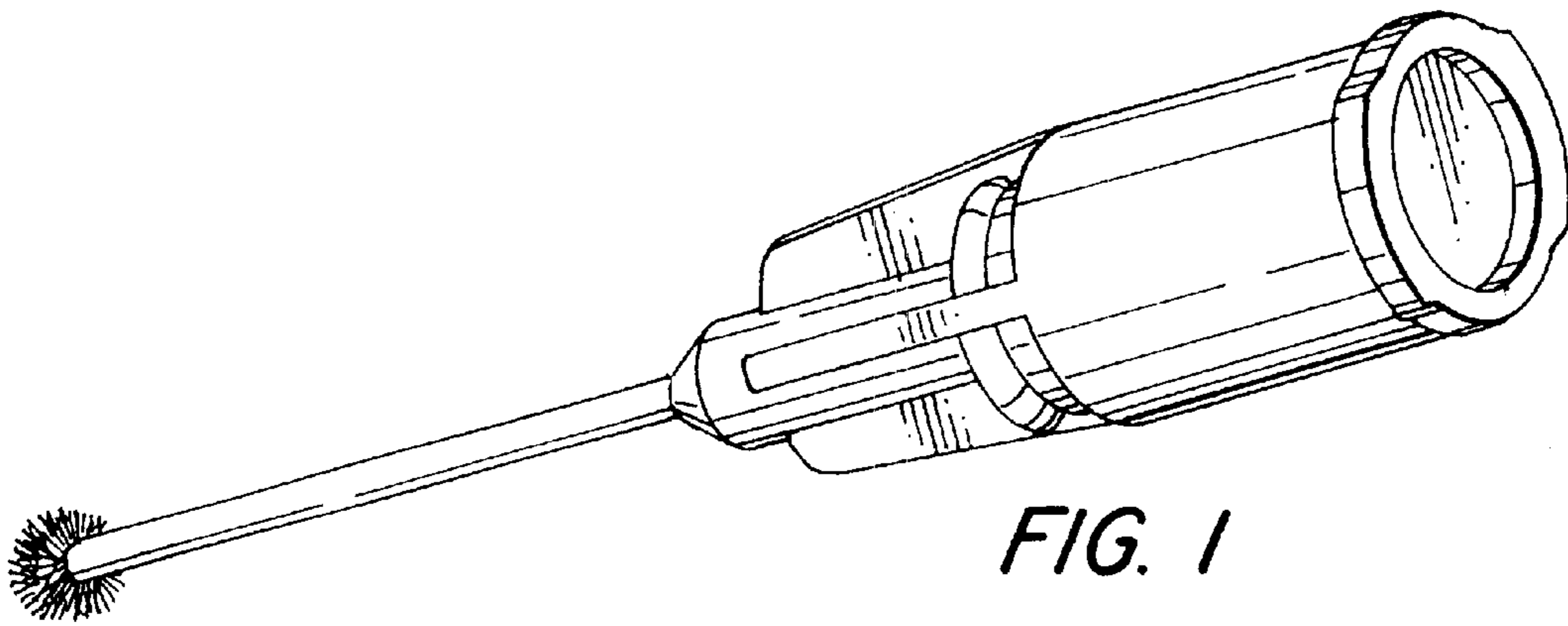


FIG. 1

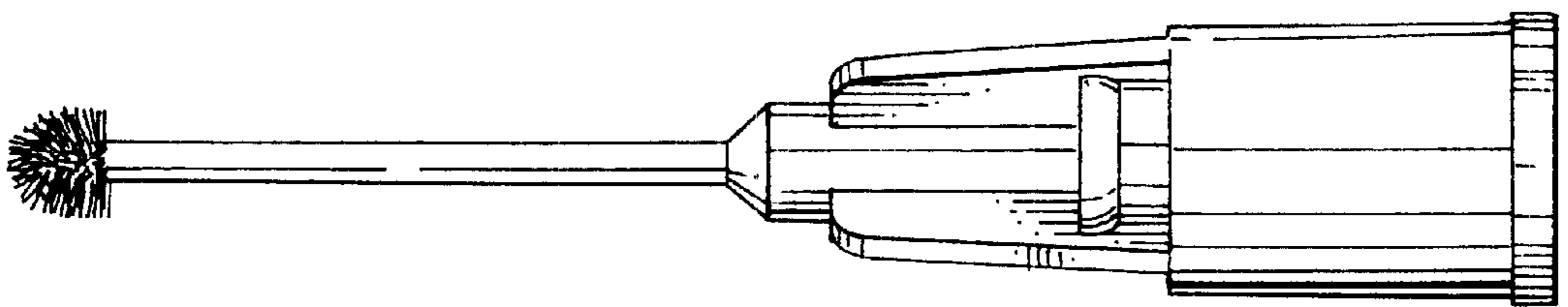


FIG. 2

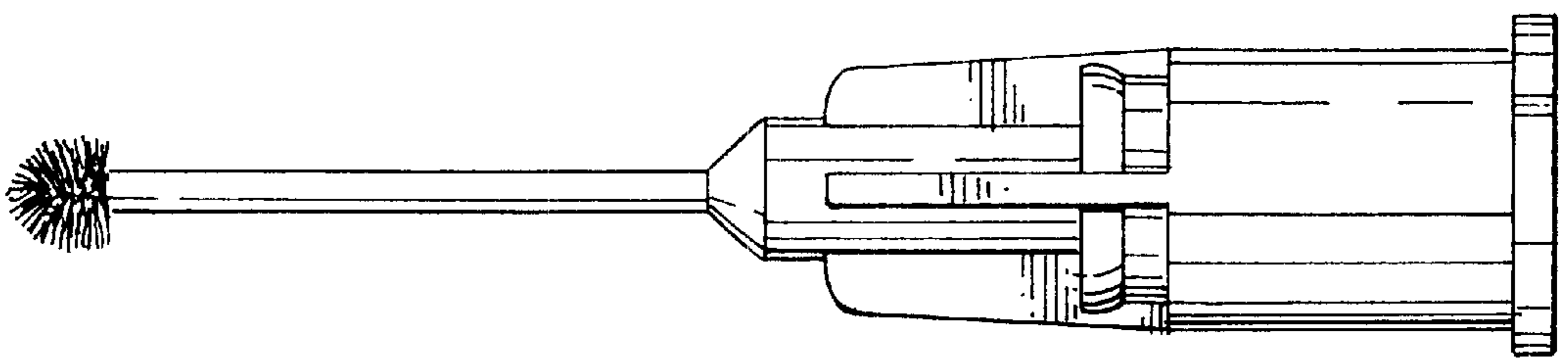


FIG. 3

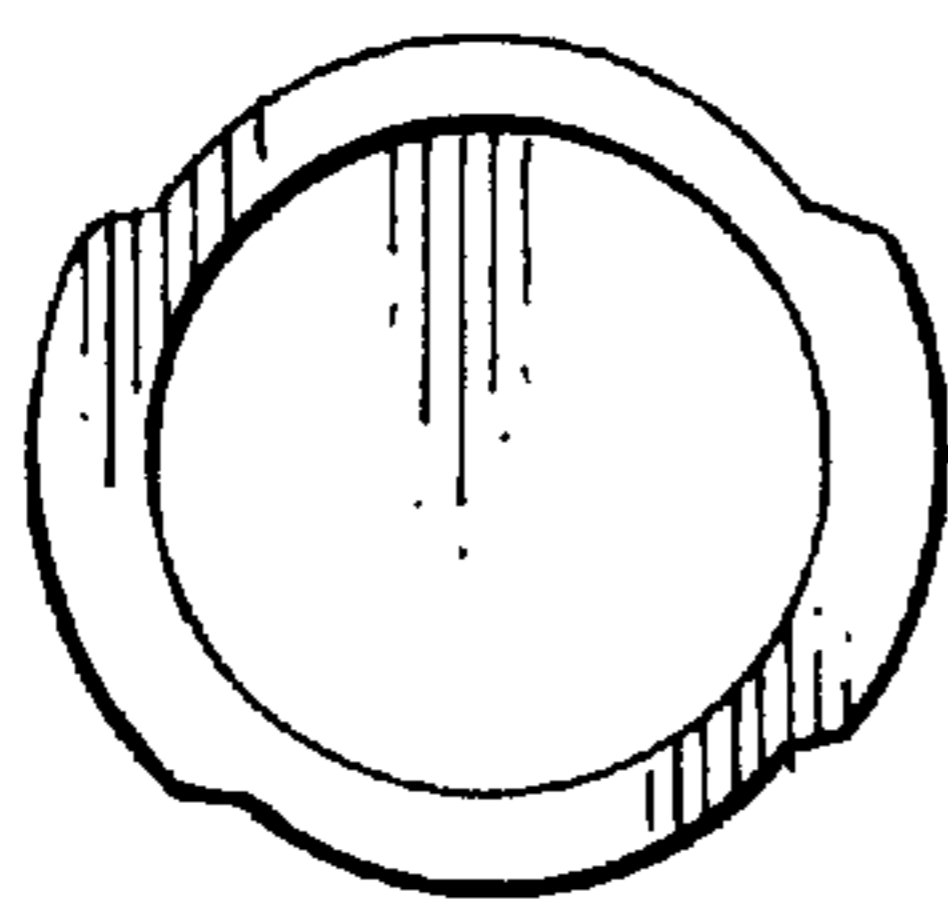


FIG. 5

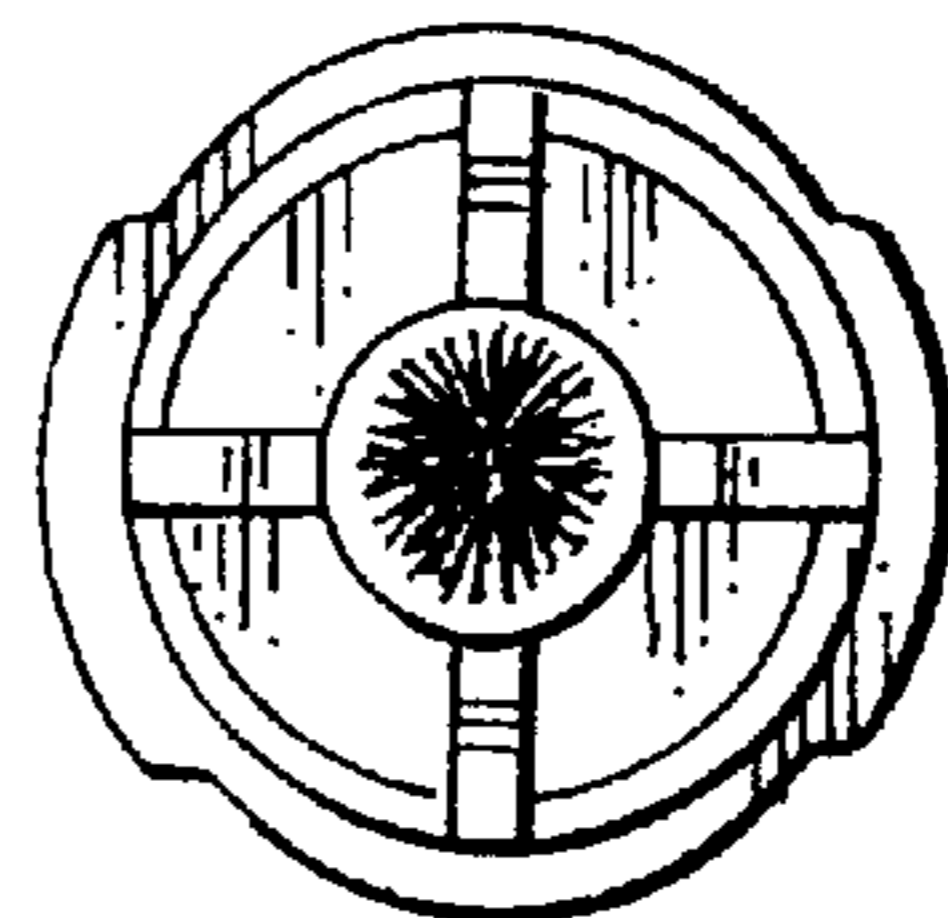


FIG. 4