



US00D460820S

(12) **United States Design Patent**
Niedospial, Jr.

(10) **Patent No.: US D460,820 S**

(45) **Date of Patent: ** *Jul. 23, 2002**

(54) **ELLIPSOIDAL SYRINGE BARREL**

(75) Inventor: **John J. Niedospial, Jr.**, Burlington, NJ
(US)

(73) Assignee: **Bracco Diagnostics Inc.**, Princeton, NJ
(US)

(*) Notice: This patent is subject to a terminal disclaimer.

(**) Term: **14 Years**

(21) Appl. No.: **29/133,614**

(22) Filed: **Dec. 4, 2000**

(51) **LOC (7) Cl.** **24-02**

(52) **U.S. Cl.** **D24/130**

(58) **Field of Search** D24/112, 114,
D24/130; 604/195, 181, 110, 130, 89, 227,
232, 228, 191, 220, 222, 224, 218

(56) **References Cited**

U.S. PATENT DOCUMENTS

3,895,633 A *	7/1975	Bartner et al.	604/192
4,424,057 A *	1/1984	House	604/88
4,543,093 A	9/1985	Christinger	604/228
4,563,174 A *	1/1986	Dupont et al.	604/89
5,115,816 A *	5/1992	Lee	D24/130
5,215,536 A	6/1993	Lamproulos et al.	604/220
5,411,489 A *	5/1995	Pagay et al.	604/218
5,558,648 A	9/1996	Shields	604/192

5,571,583 A	11/1996	Cao et al.	428/35.7
D383,205 S *	9/1997	Pagay et al.	D24/112
5,752,940 A *	5/1998	Grimard	604/181
5,782,804 A *	7/1998	McMahon	604/110
D403,761 S *	1/1999	Adams	D24/112
6,017,325 A *	1/2000	Yerfino et al.	604/110

FOREIGN PATENT DOCUMENTS

WO WO 91/00114 1/1991

* cited by examiner

Primary Examiner—Ian Simmons

(74) *Attorney, Agent, or Firm*—Imre Balogh

(57) **CLAIM**

The ornamental design for an ellipsoidal syringe barrel, as shown and described.

DESCRIPTION

FIG. 1 is a perspective view of the ellipsoidal syringe barrel; FIG. 2 is another perspective view of the ellipsoidal syringe barrel rotated 90° from the perspective view shown in FIG. 1;

FIG. 3 is a cross-sectional view thereof, taken along the line 3—3 of FIG. 6;

FIG. 4 is a cross-sectional view thereof, taken along the line 4—4 of FIG. 5;

FIG. 5 is a bottom plan view thereof; and,

FIG. 6 is a top plan view thereof.

1 Claim, 6 Drawing Sheets

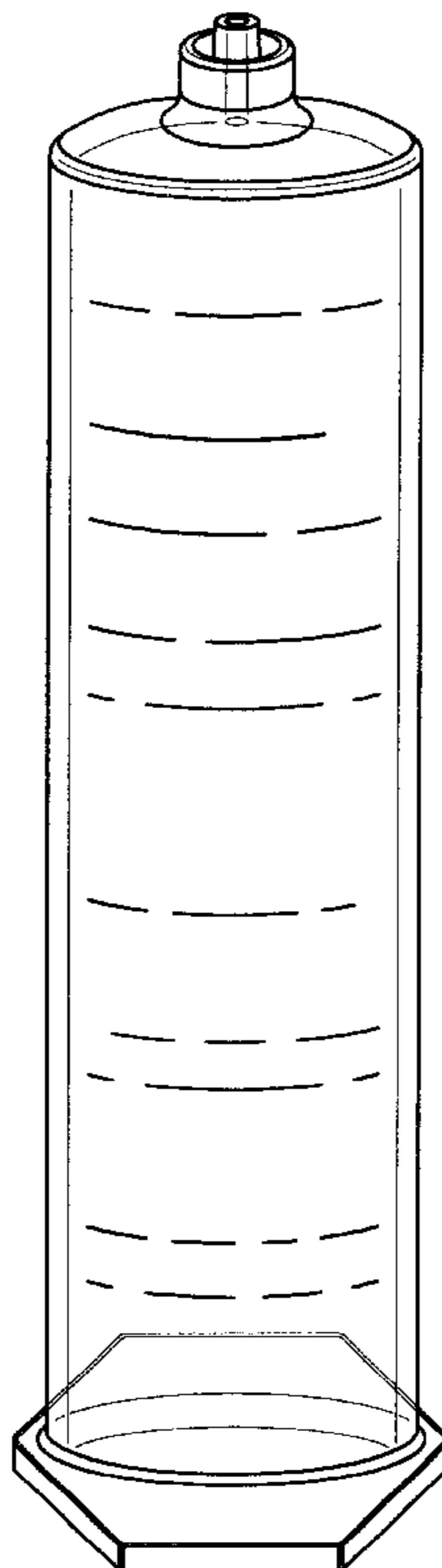


FIG. 1

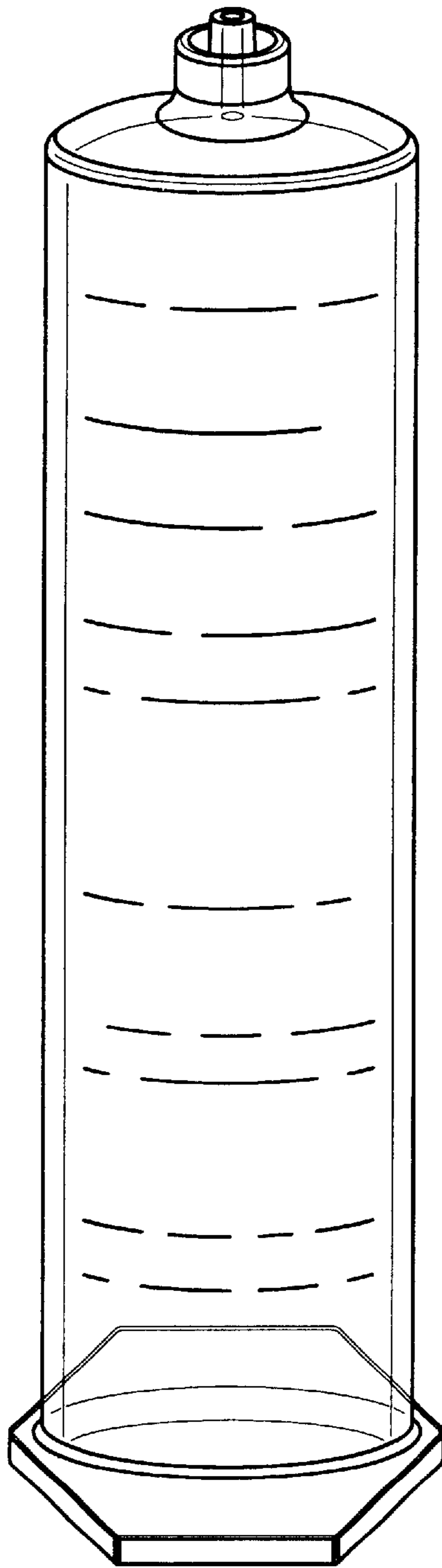


FIG. 2

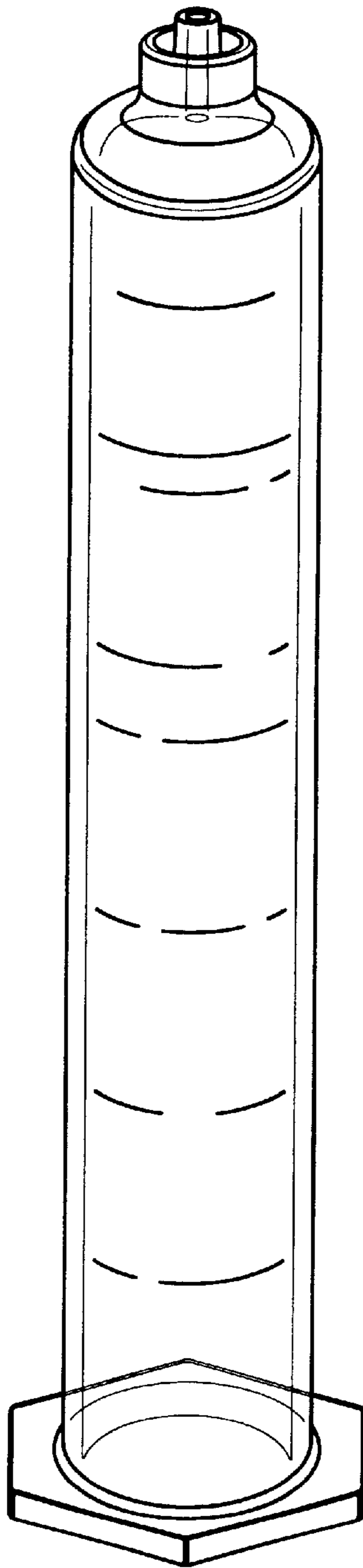


FIG. 3

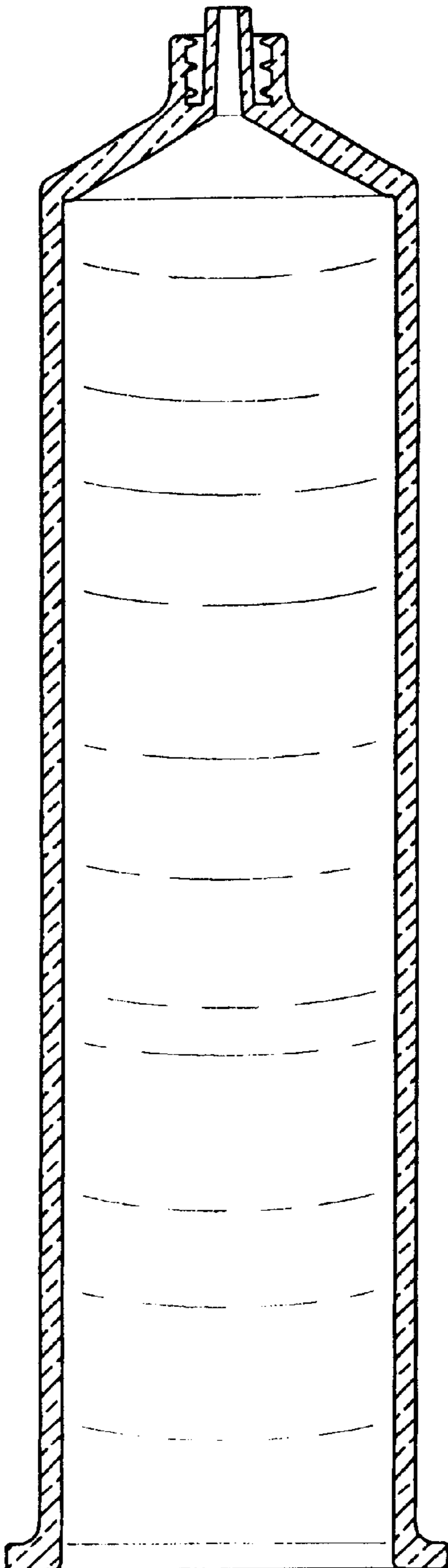


FIG. 4

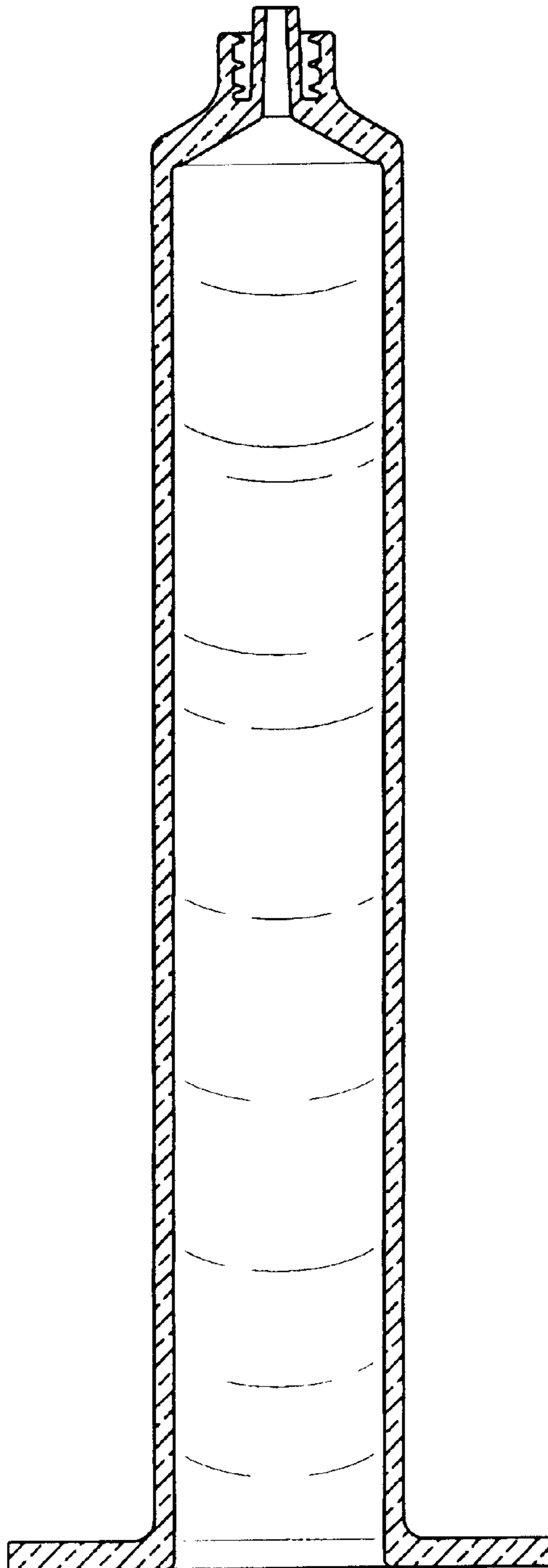


FIG. 5

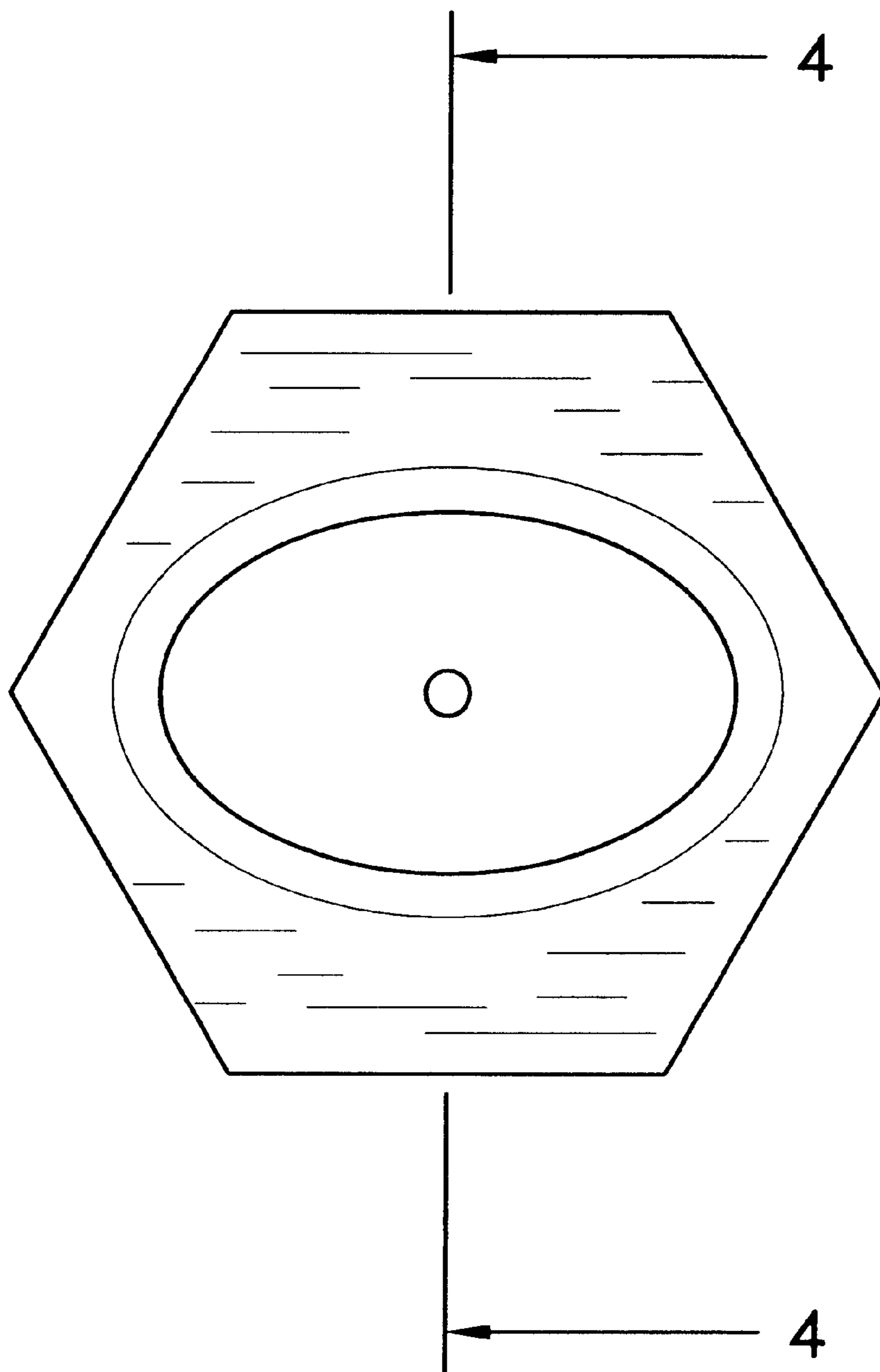


FIG. 6

