



US00D460813S

(12) **United States Design Patent**
Lundström

(10) **Patent No.:** **US D460,813 S**

(45) **Date of Patent:** **** Jul. 23, 2002**

(54) **PORTABLE URINAL CLOSET**

(76) Inventor: **Krister Lundström**, Mastvägen 2,
S-613 35 Oxelösund (SE)

(**) Term: **14 Years**

(21) Appl. No.: **29/123,477**

(22) Filed: **May 19, 2000**

(30) **Foreign Application Priority Data**

Nov. 19, 1999 (SE) 99-2091

(51) **LOC (7) Cl.** **23-02**

(52) **U.S. Cl.** **D23/302; D25/16**

(58) **Field of Search** D23/270-272,
D23/295, 299-300, 302-303, 309, 310;
4/300, 449, 459-460, 462-463, 476-477,
479-482, 664, DIG. 15; D25/16, 31

(56) **References Cited**

U.S. PATENT DOCUMENTS

2,946,065 A * 7/1960 Smith 4/459
5,647,074 A * 7/1997 White, Jr. et al. 4/664
D411,291 S * 6/1999 Dawson D23/299
5,978,986 A * 11/1999 Lunow et al. 4/664

OTHER PUBLICATIONS

Sweet's General Renovation and Construction Catalog,
1981: Model 600, p. 3.*

* cited by examiner

Primary Examiner—Louis S. Zarfes

Assistant Examiner—Robert A. Delehanty

(74) *Attorney, Agent, or Firm*—Dykema Gossett PLLC

(57) **CLAIM**

The ornamental design for a portable urinal closet, as shown and described.

DESCRIPTION

FIG. 1 is a perspective view of a portable urinal closet according to my new and ornamental design, the two depicted entry doors being shown in closed positions,

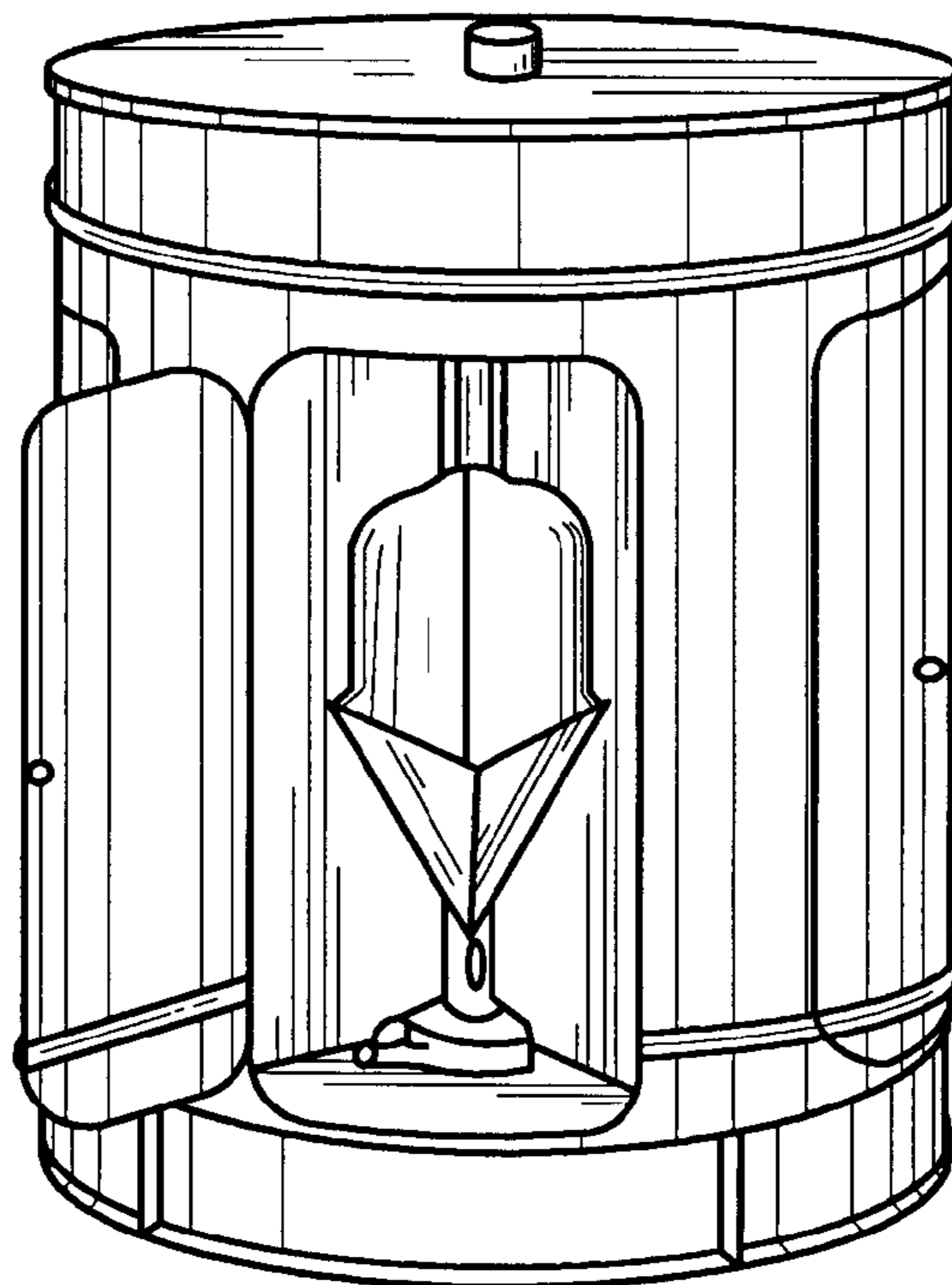
FIG. 2 is another perspective view thereof, one of the depicted entry doors being shown in an opened position,

FIG. 3 is a first elevation thereof, the two depicted doors being shown in closed positions, the opposite side view being identical when all four doors of the portable urinal closet are in closed positions,

FIG. 4 is a second elevation thereof, one of the depicted doors being shown in an opened position; and,

FIG. 5 is a top plan view thereof.

1 Claim, 3 Drawing Sheets



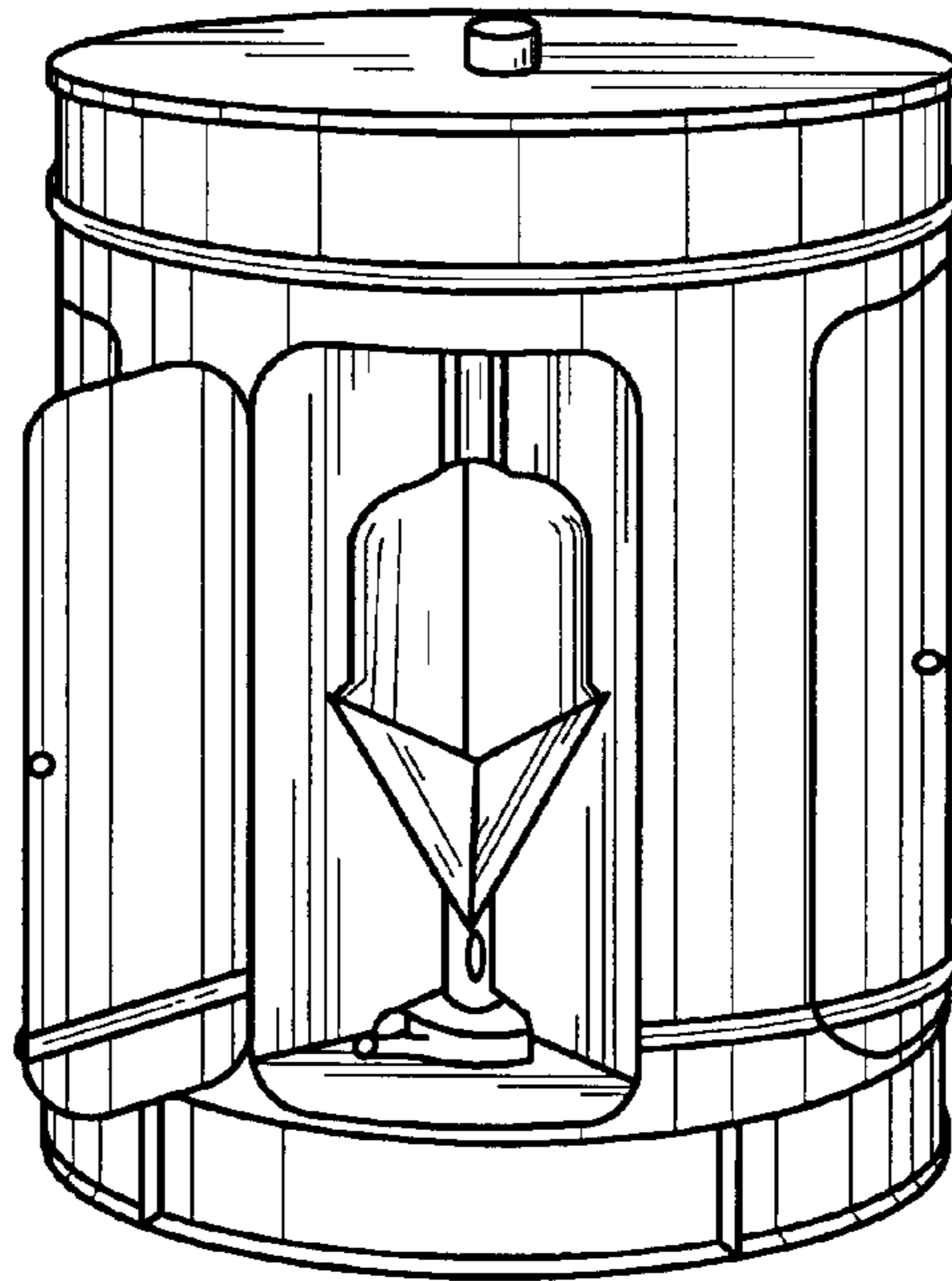


FIG. 2

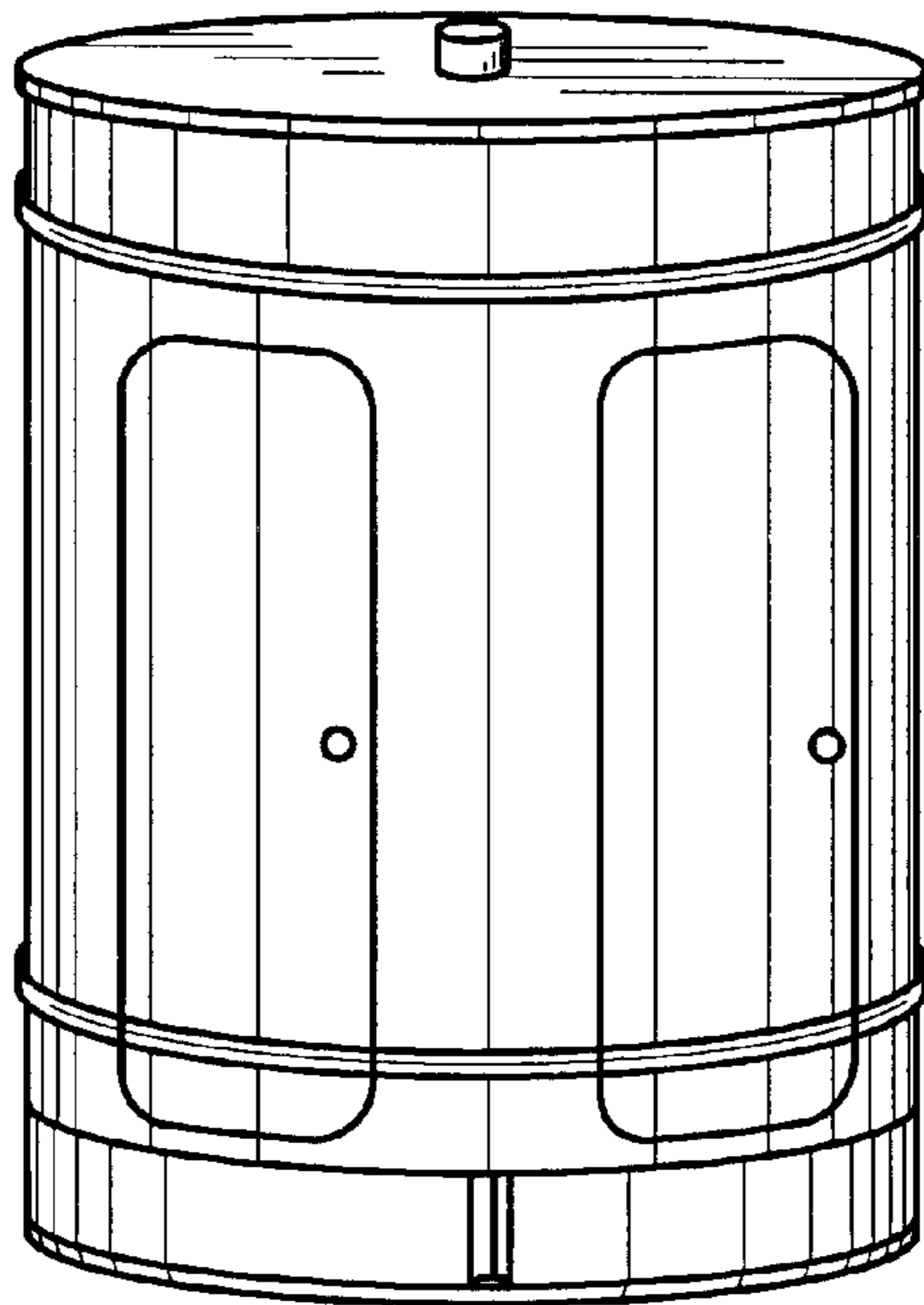


FIG. 1

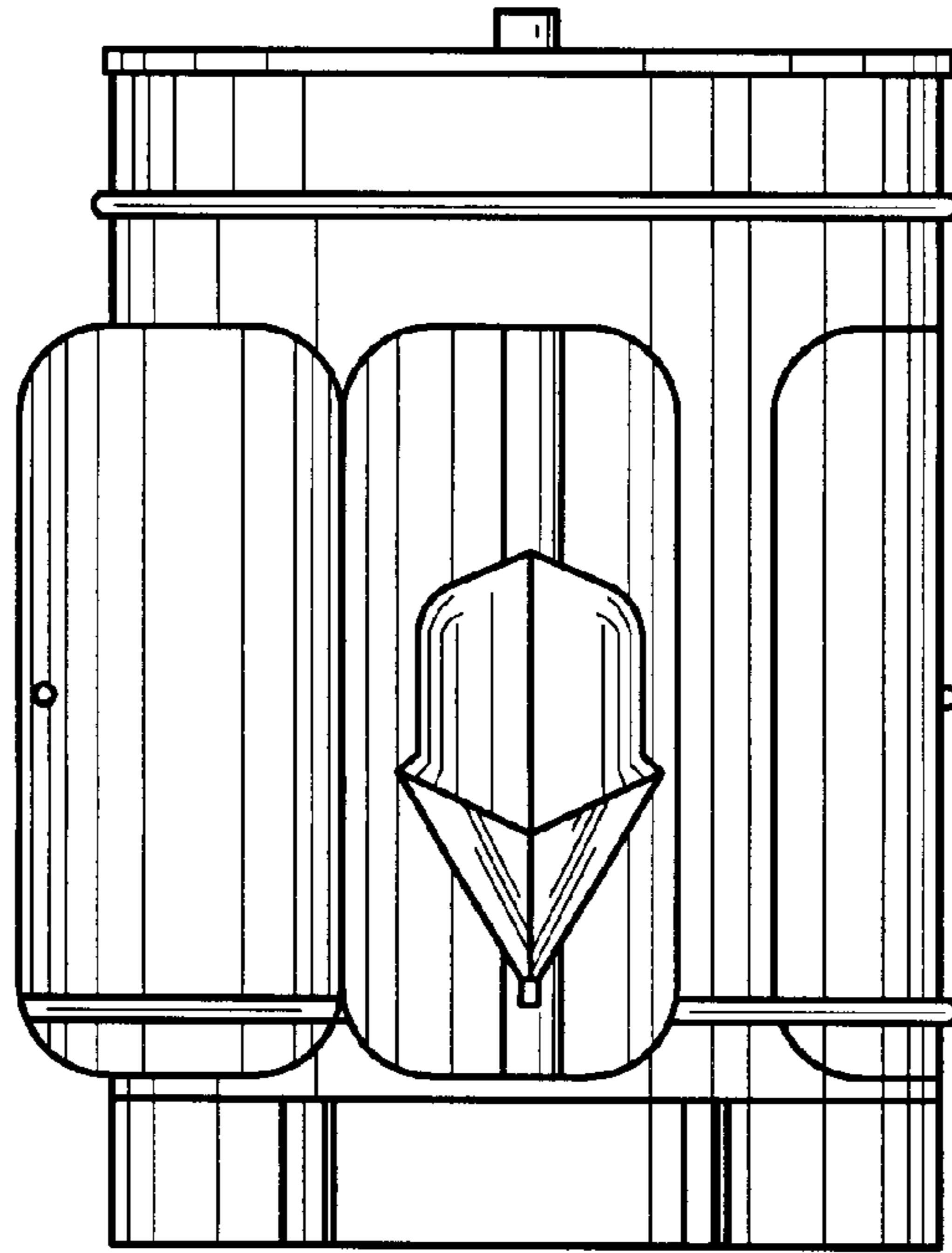


FIG. 4

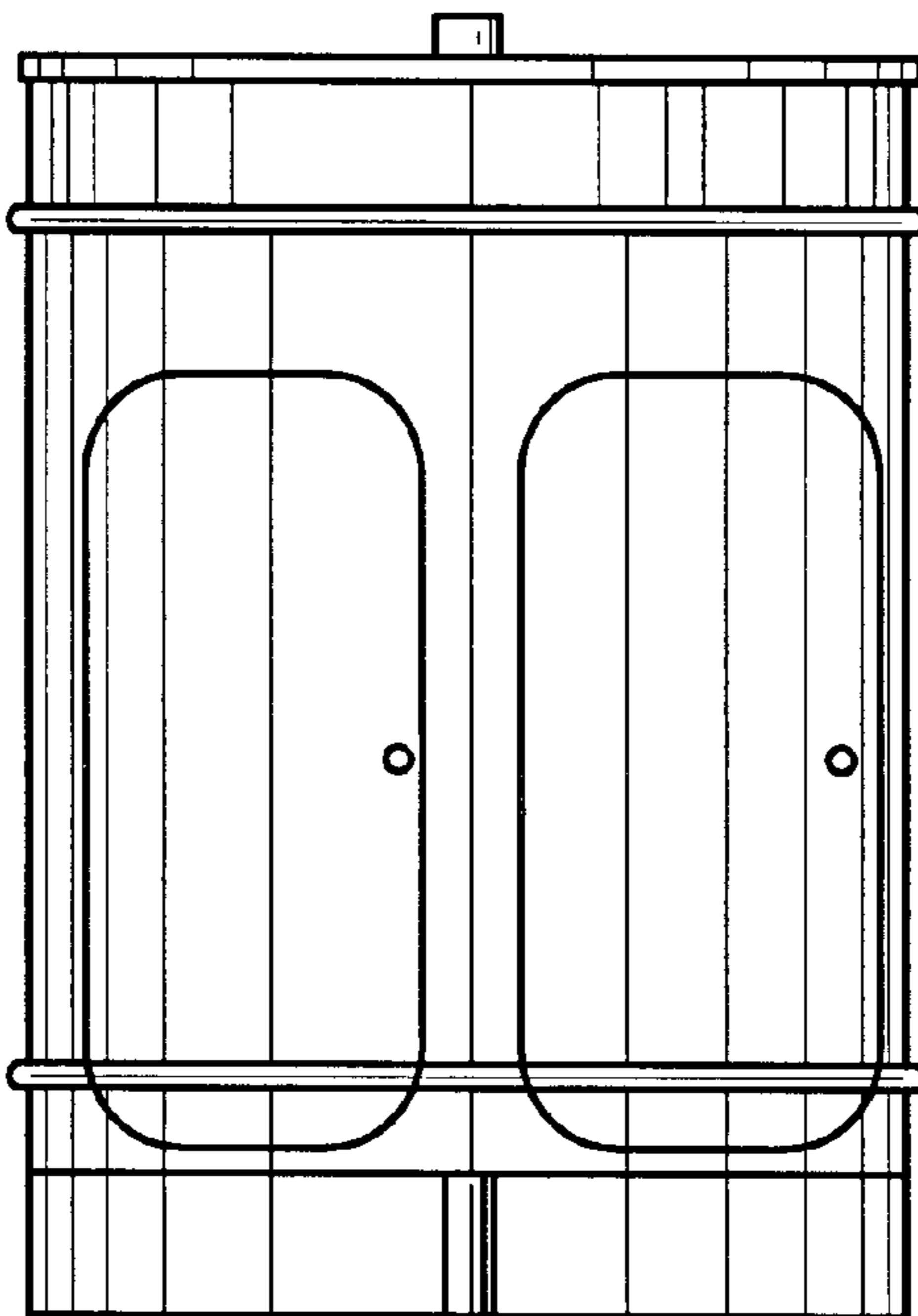


FIG. 3

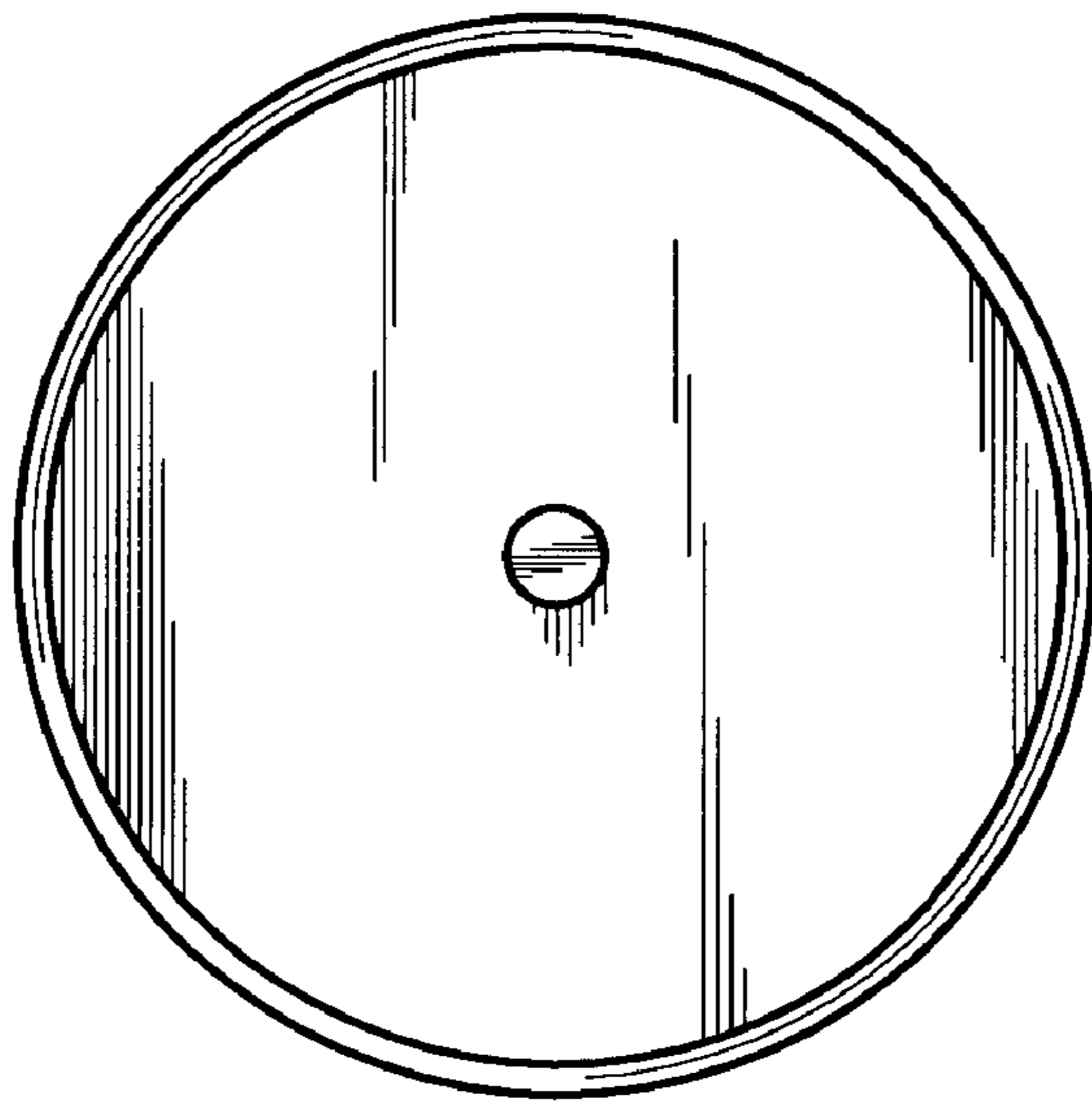


FIG. 5