



US00D460812S

(12) **United States Design Patent**  
**Tani**

(10) **Patent No.:** **US D460,812 S**

(45) **Date of Patent:** **\*\* Jul. 23, 2002**

(54) **WATER CLOSET**

(75) Inventor: **Minoru Tani**, Fukuoka (JP)

(73) Assignee: **Toto Ltd.**, Fukuoka (JP)

(\*\*) Term: **14 Years**

(21) Appl. No.: **29/150,246**

(22) Filed: **Nov. 16, 2001**

(30) **Foreign Application Priority Data**

Sep. 21, 2001 (JP) ..... 2001-027814

(51) **LOC (7) Cl.** ..... **23-02**

(52) **U.S. Cl.** ..... **D23/301**

(58) **Field of Search** ..... D23/270-272,  
D23/295-301, 303, 309-313; 4/663, 667,  
300, 330.3, 313, 420.2, 420.3, 443, 446,  
217, 234, 237-239, 901-902, DIG. 15

(56) **References Cited**

**U.S. PATENT DOCUMENTS**

D298,565 S \* 11/1988 Kohler, Jr. .... D23/313

D390,934 S \* 2/1998 McKeone ..... D23/313

D406,325 S \* 3/1999 Nagato ..... D23/301

D410,279 S \* 5/1999 Tani et al. .... D23/301

\* cited by examiner

*Primary Examiner*—Louis S. Zarfes

*Assistant Examiner*—Robert A. Delehanty

(74) *Attorney, Agent, or Firm*—Birch, Stewart, Kolasch & Birch, LLP

(57) **CLAIM**

The ornamental design for a water closet, as shown and described.

**DESCRIPTION**

FIG. 1 is a perspective view of a water closet showing my new design;

FIG. 2 is a front elevational view thereof.

FIG. 3 is a rear elevational view thereof;

FIG. 4 is a top plan view thereof;

FIG. 5 is a bottom plan view thereof; and,

FIG. 6 is a right side elevational view, the left side being a mirror image thereof.

**1 Claim, 2 Drawing Sheets**

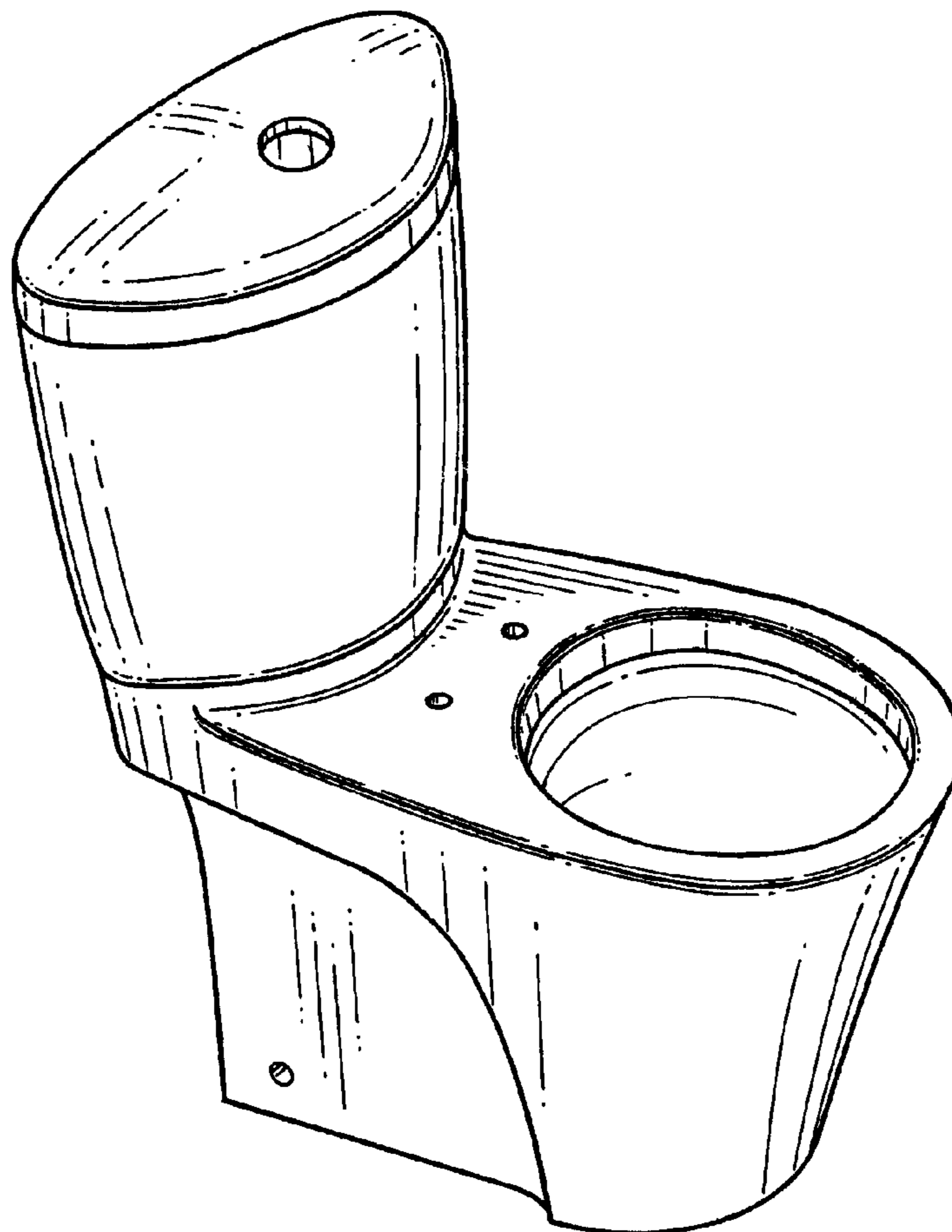


FIG. 1

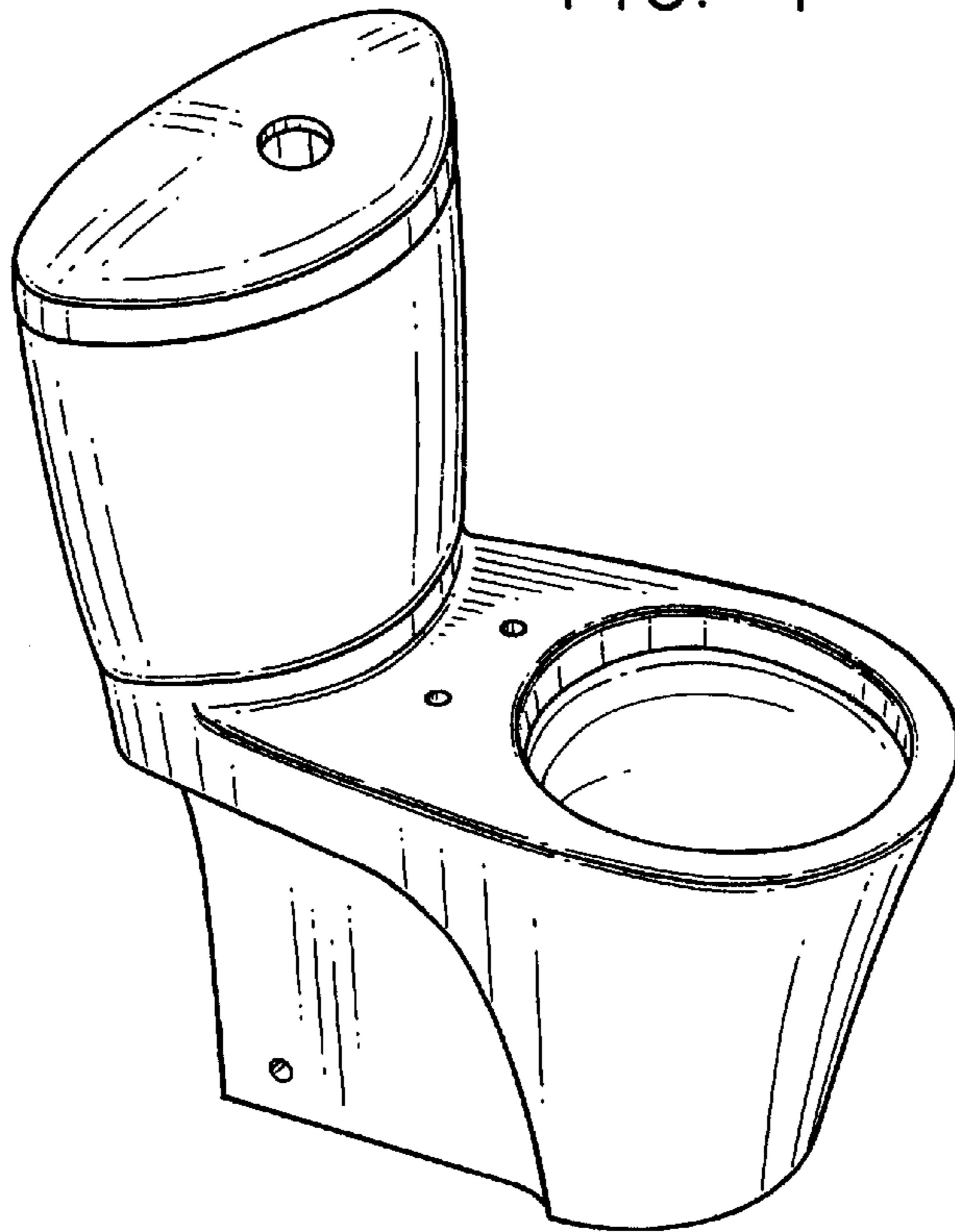


FIG. 2

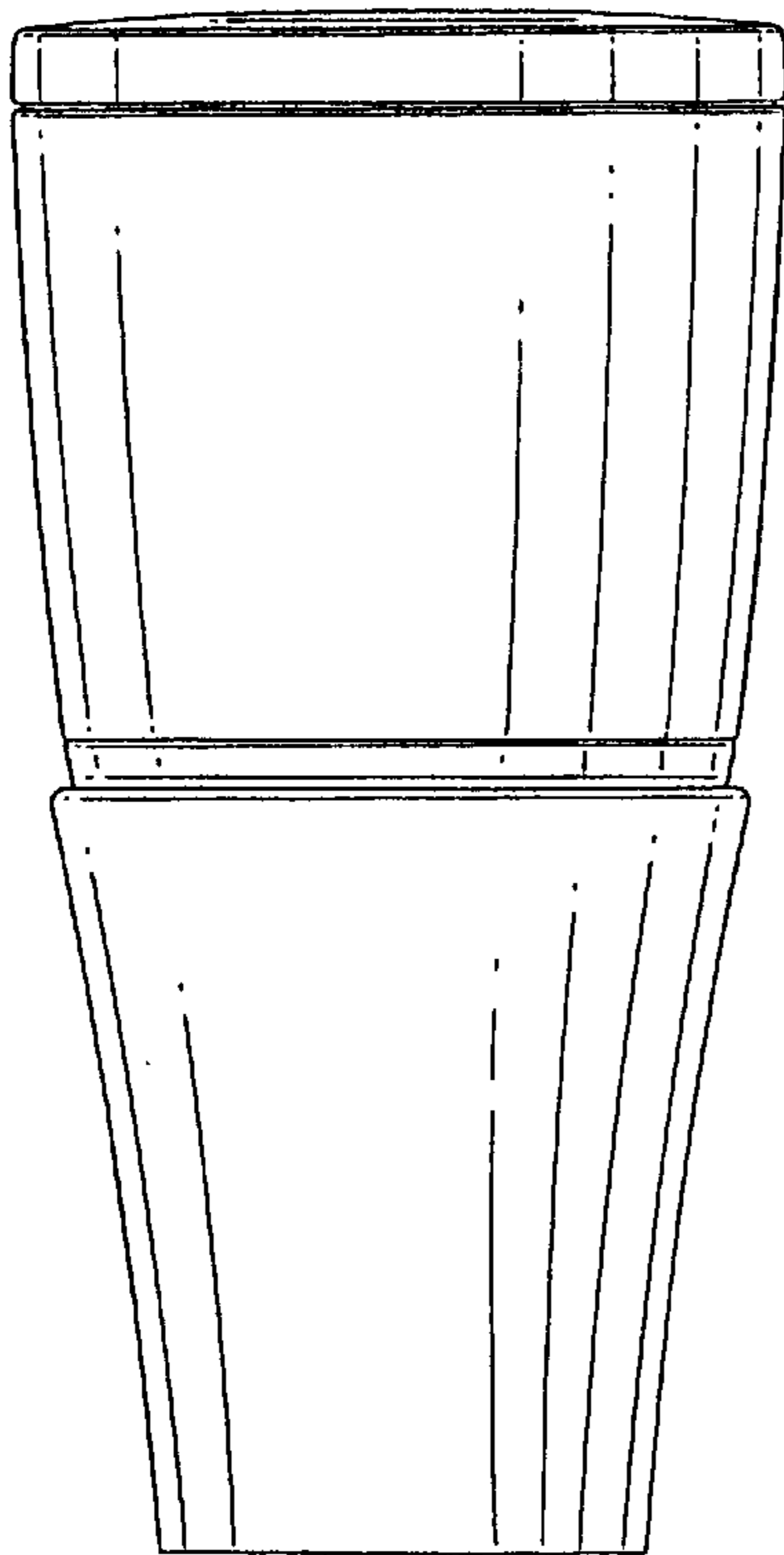


FIG. 3

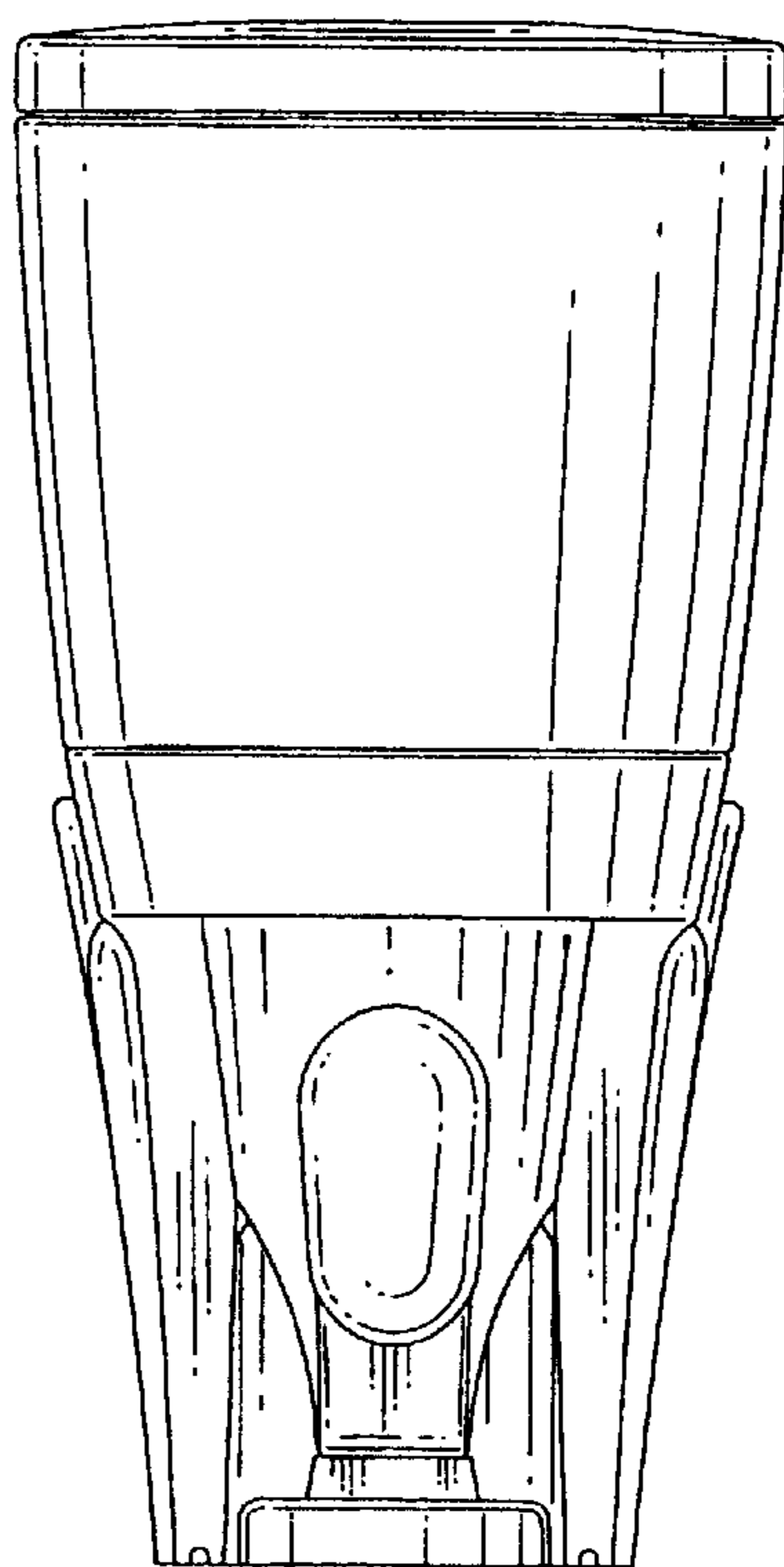


FIG. 4

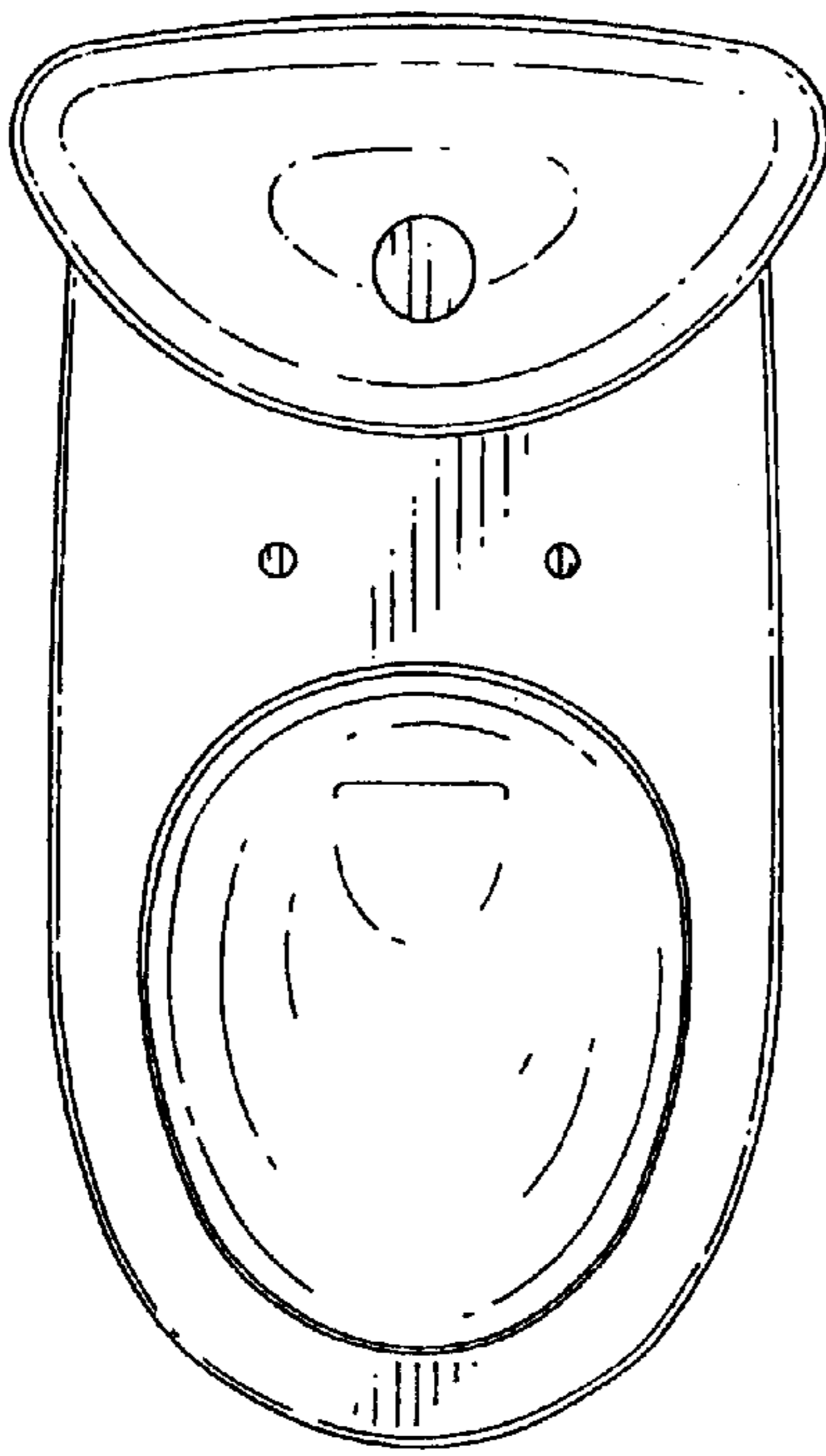


FIG. 5

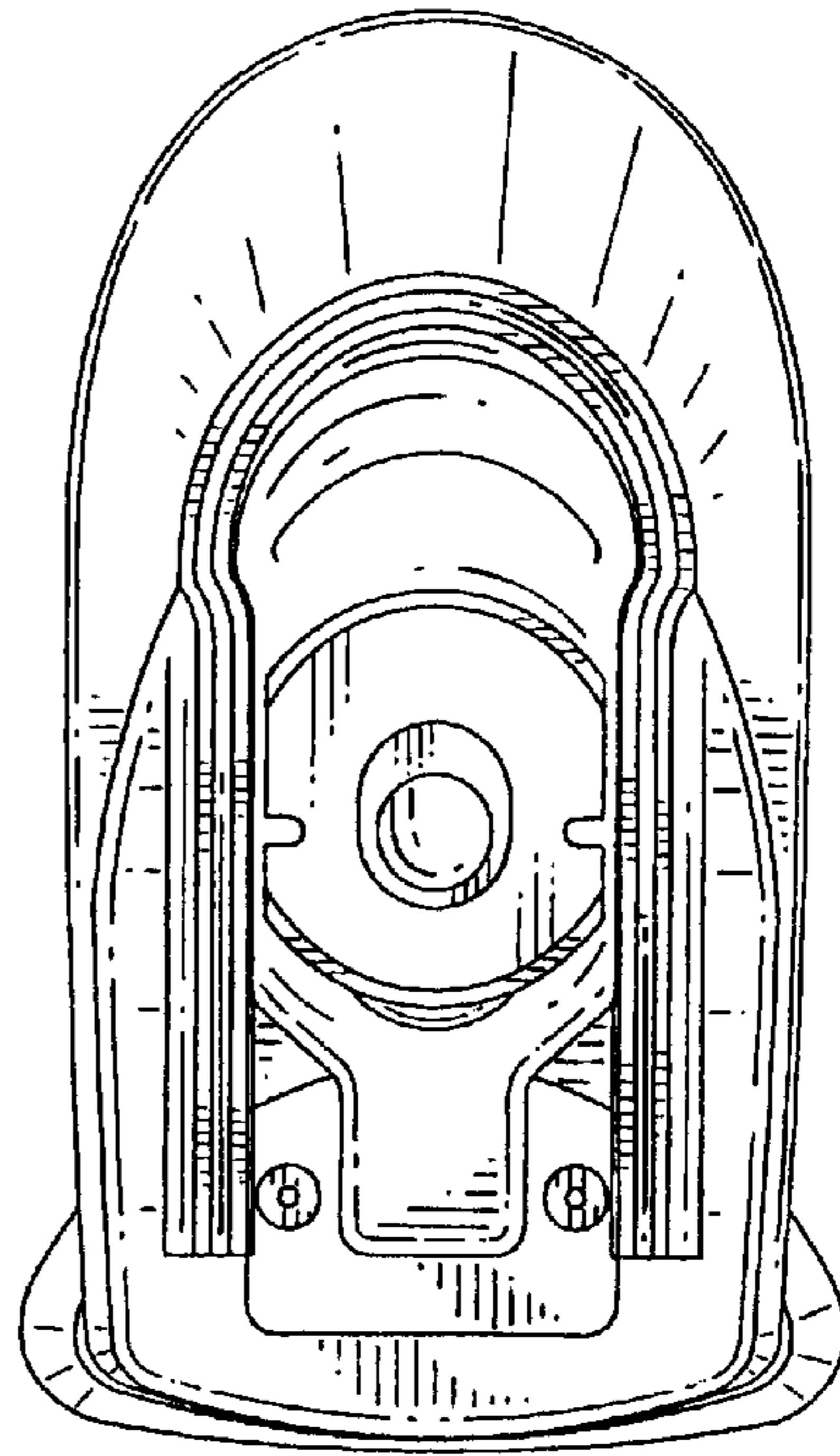


FIG. 6

