



US00D460808S

(12) **United States Design Patent**
Otero et al.

(10) **Patent No.:** **US D460,808 S**

(45) **Date of Patent:** **** Jul. 23, 2002**

(54) **FAUCET HANDLE**

(75) **Inventors:** **Federico G. Otero**, Carmel; **Anthony G. Spangler**, Greensburg, both of IN (US)

(73) **Assignee:** **Masco Corporation of Indiana**, Indianapolis, IN (US)

(**) **Term:** **14 Years**

(21) **Appl. No.:** **29/152,053**

(22) **Filed:** **Dec. 13, 2001**

(51) **LOC (7) Cl.** **23-01**

(52) **U.S. Cl.** **D23/252**

(58) **Field of Search** D23/238-257;
D8/300-312, DIG. 3; 4/675-678; 16/110 R-125;
137/801

(56) **References Cited**

U.S. PATENT DOCUMENTS

D318,717 S	*	7/1991	Spangler	D23/252
D318,901 S	*	8/1991	Rodstein	D23/238
D372,300 S	*	7/1996	Fabian	D23/252
D409,288 S	*	5/1999	Hyde	D23/250
D433,107 S	*	10/2000	Spangler	D23/250

* cited by examiner

Primary Examiner—Louis S. Zarfaz

Assistant Examiner—Gregory Andoll

(74) *Attorney, Agent, or Firm*—Myron B. Kapustij; Lloyd D. Doigan

(57) **CLAIM**

The ornamental design for a faucet handle, as shown and described.

DESCRIPTION

FIG. 1 is a rear perspective view of the faucet handle showing our new design;
FIG. 2 is a front perspective view thereof;
FIG. 3 is a front elevational view thereof;
FIG. 4 is a left side elevational view thereof;
FIG. 5 is a right side elevational view thereof;
FIG. 6 is a top plan view thereof;
FIG. 7 is a rear elevational view thereof; and,
FIG. 8 is a bottom plan view thereof.

The broken line showings of the handle set screw in FIGS. 2 and 5, and of the circular mounting system in FIG. 8 are for purposes of illustration only and form no part of the claimed design.

1 Claim, 4 Drawing Sheets

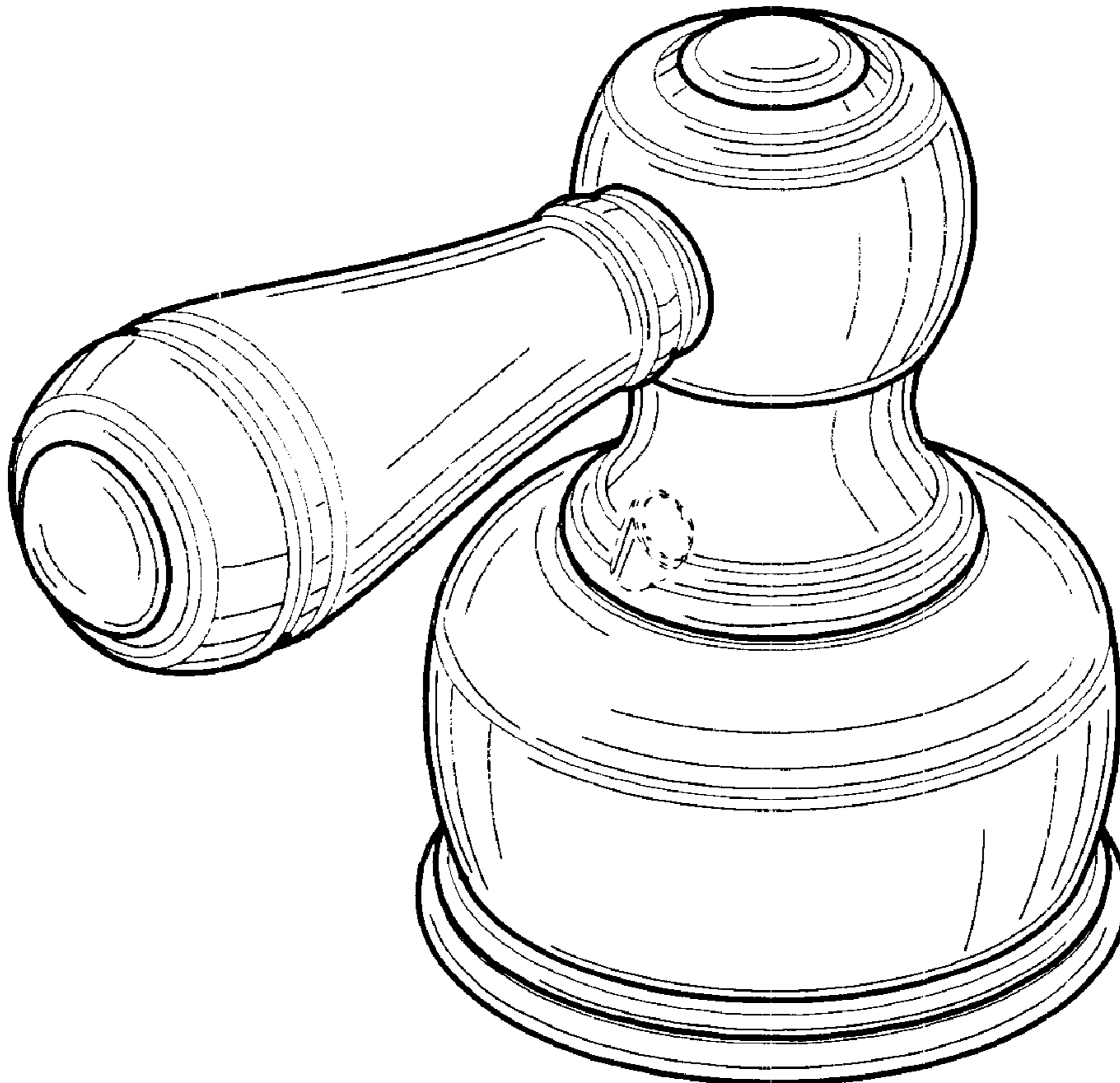




Figure - 1

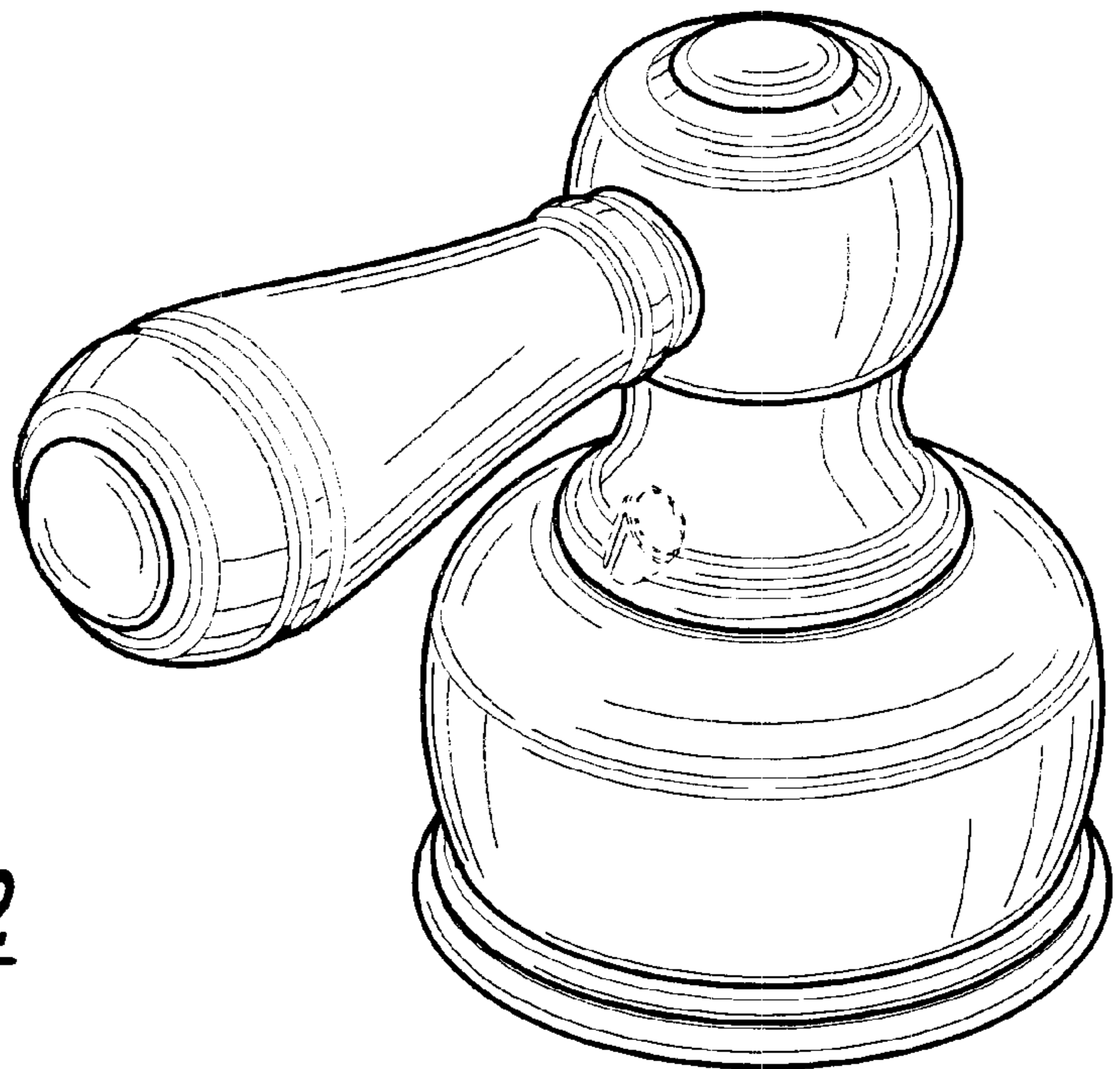


Figure - 2

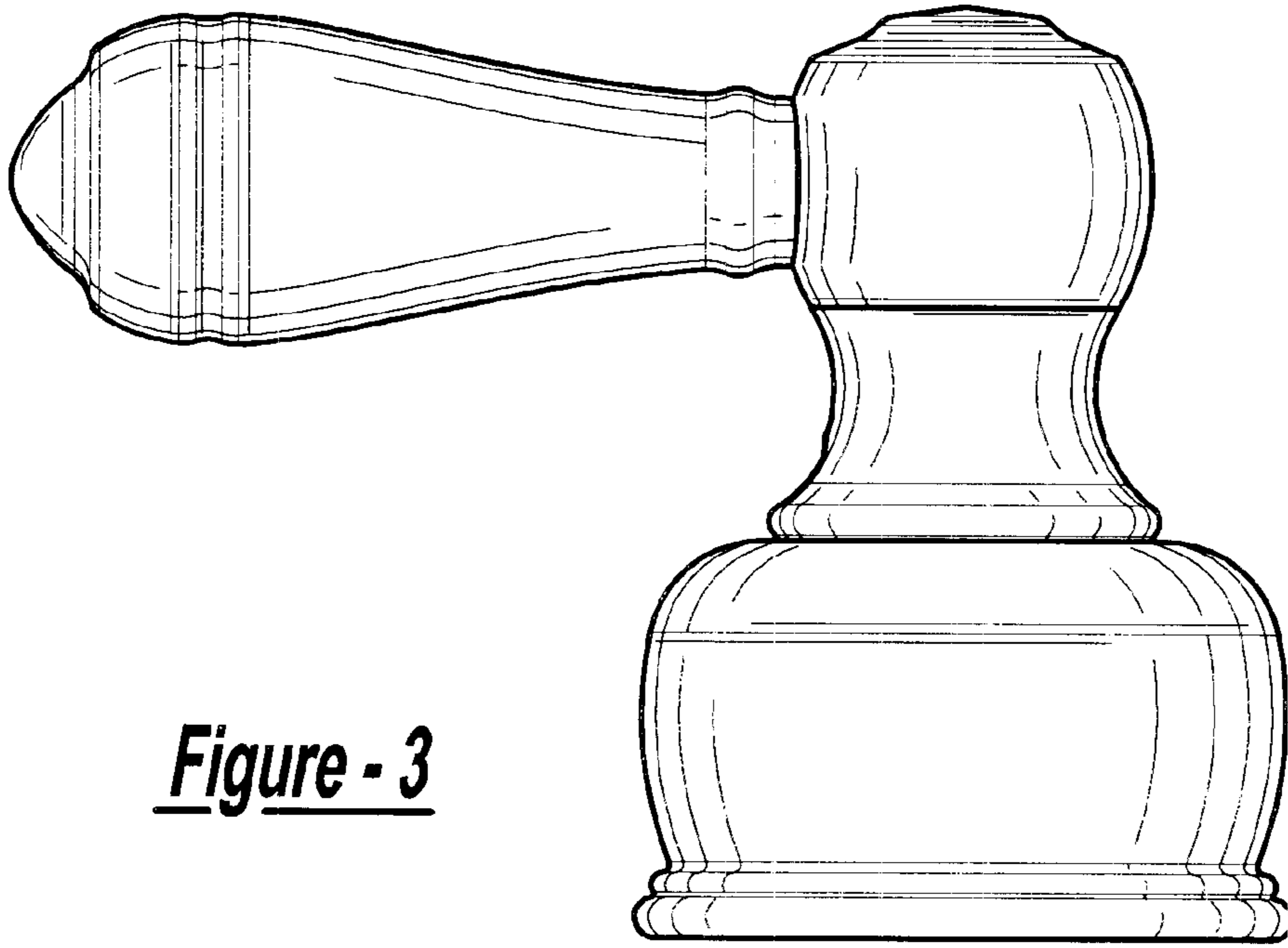


Figure - 3

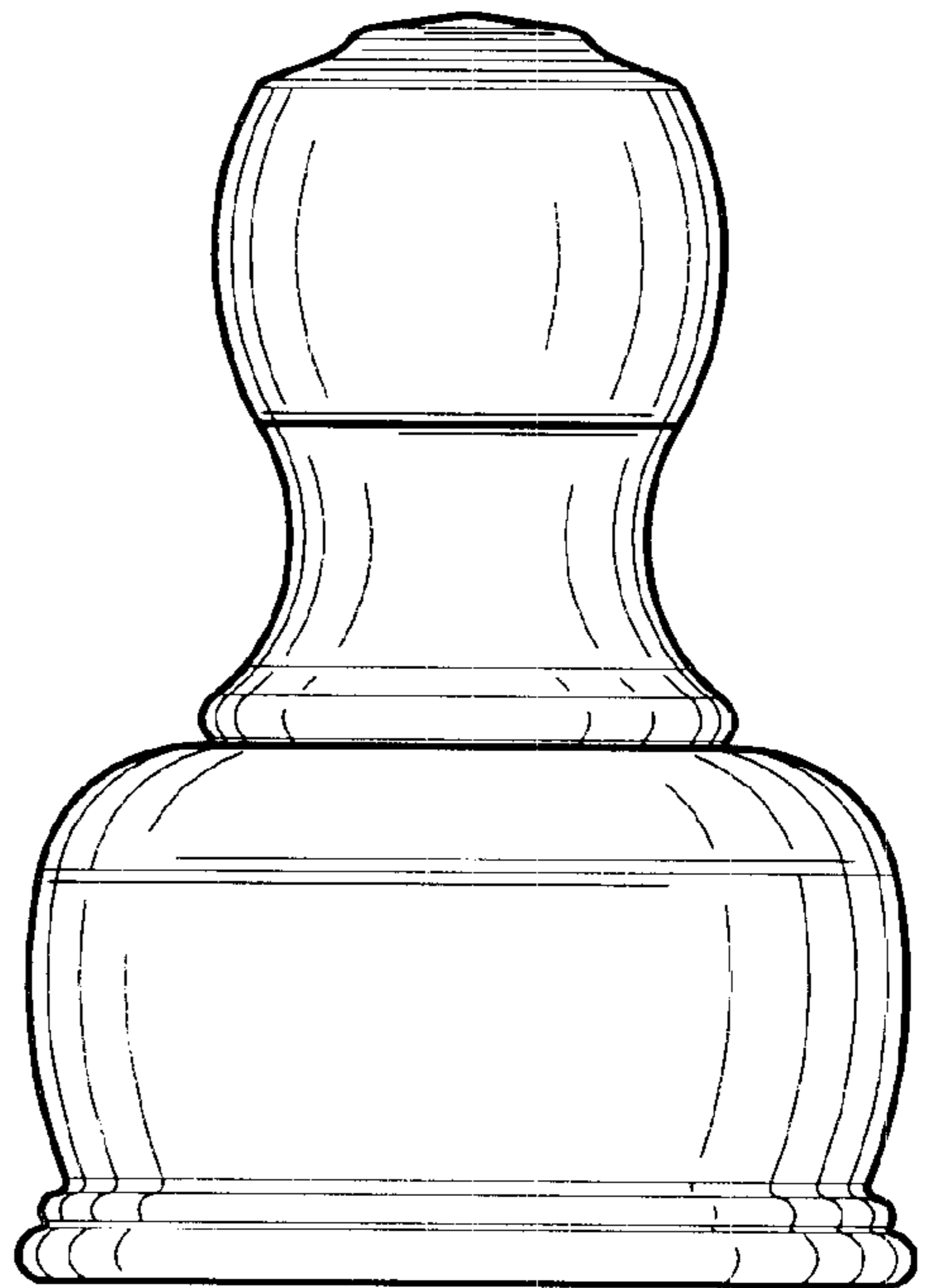


Figure - 4

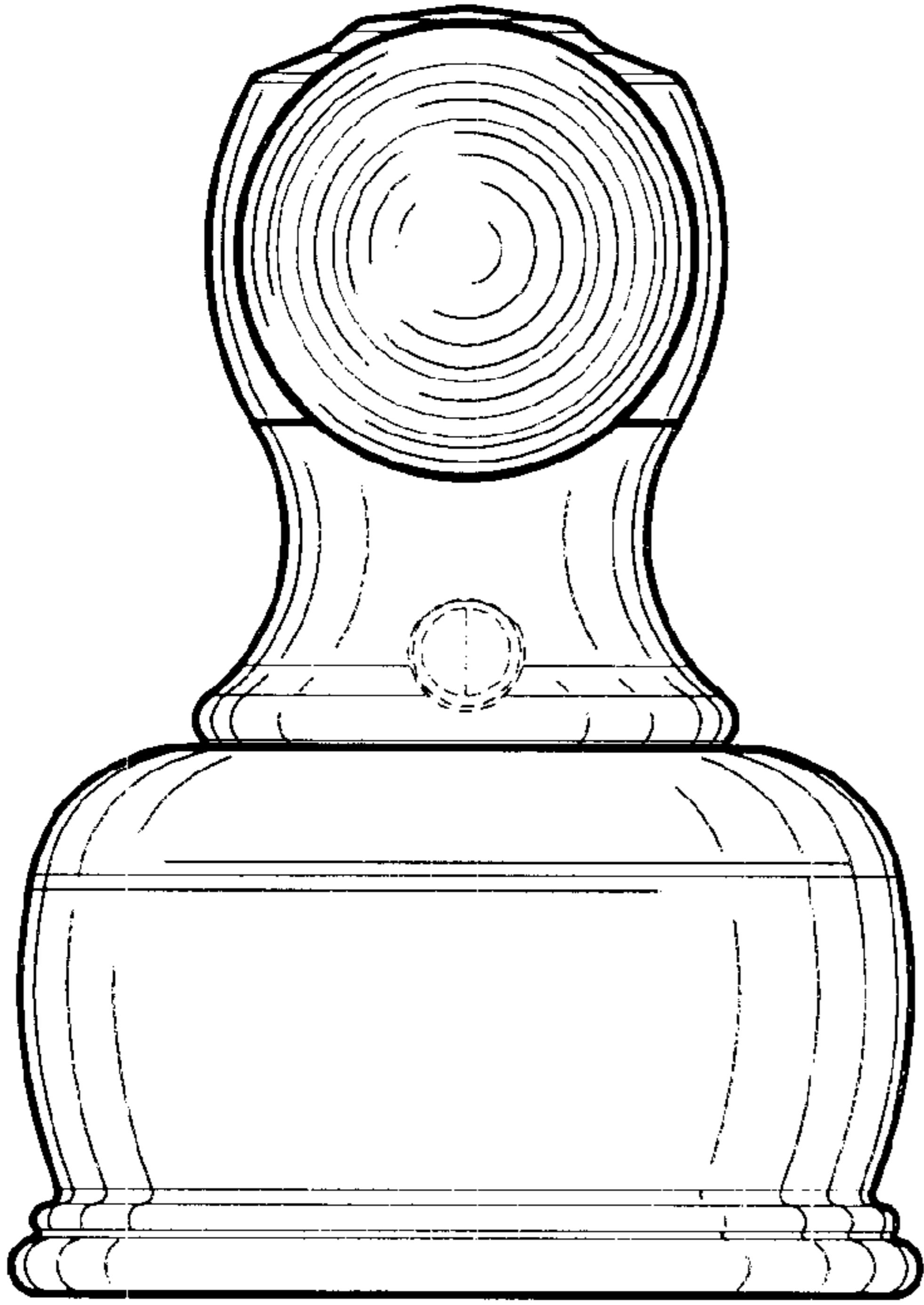


Figure - 5

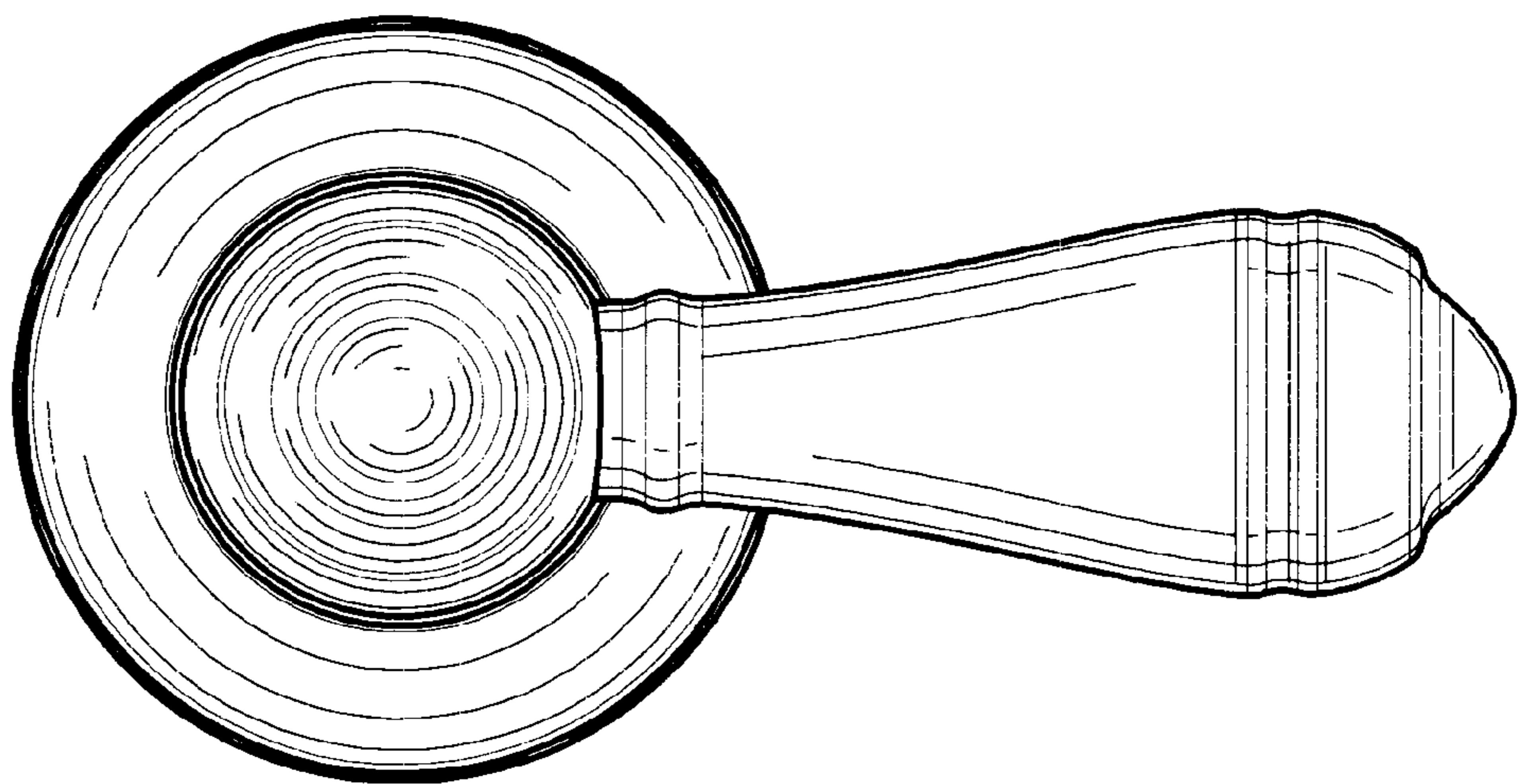


Figure - 6

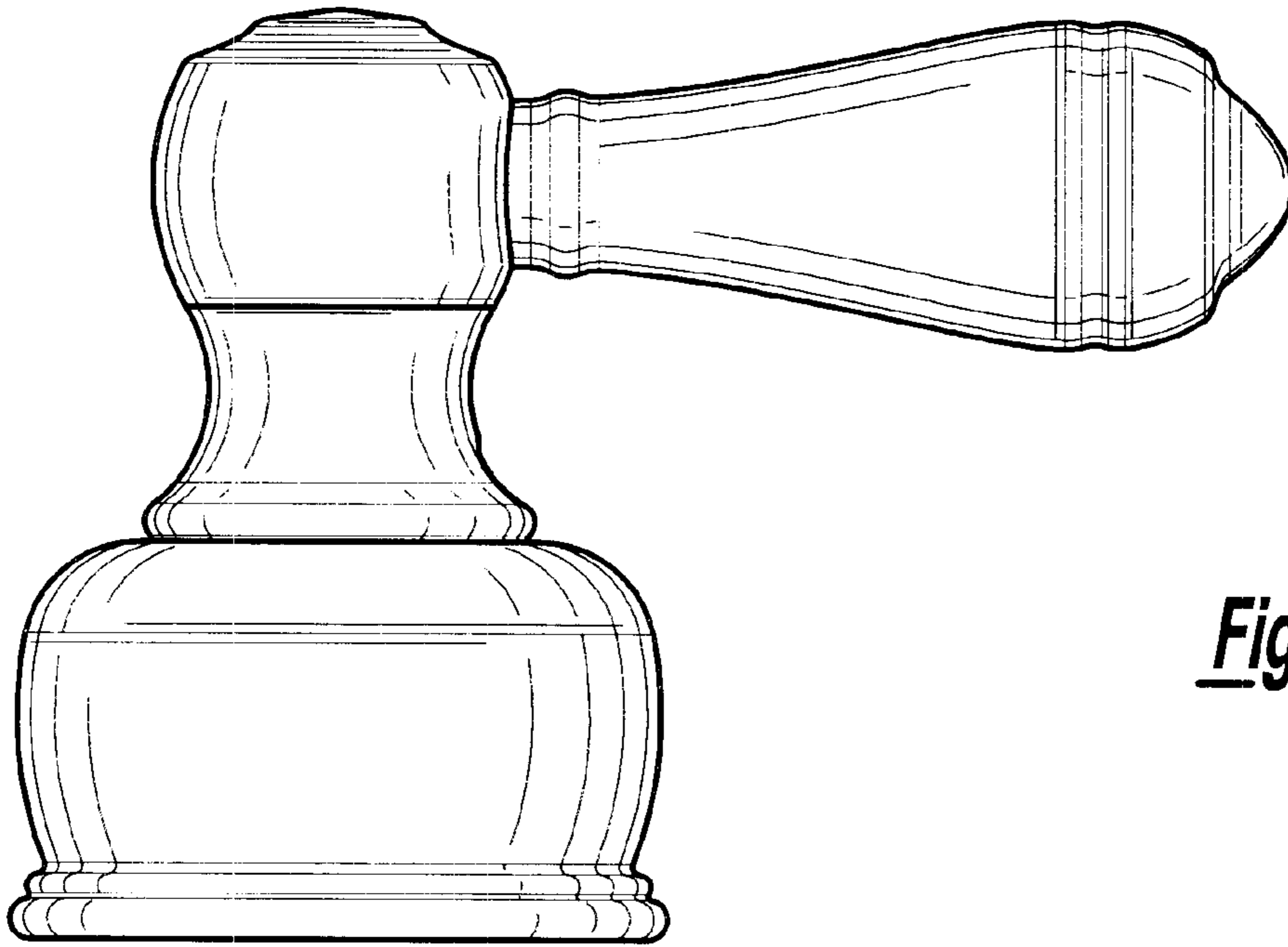


Figure - 7

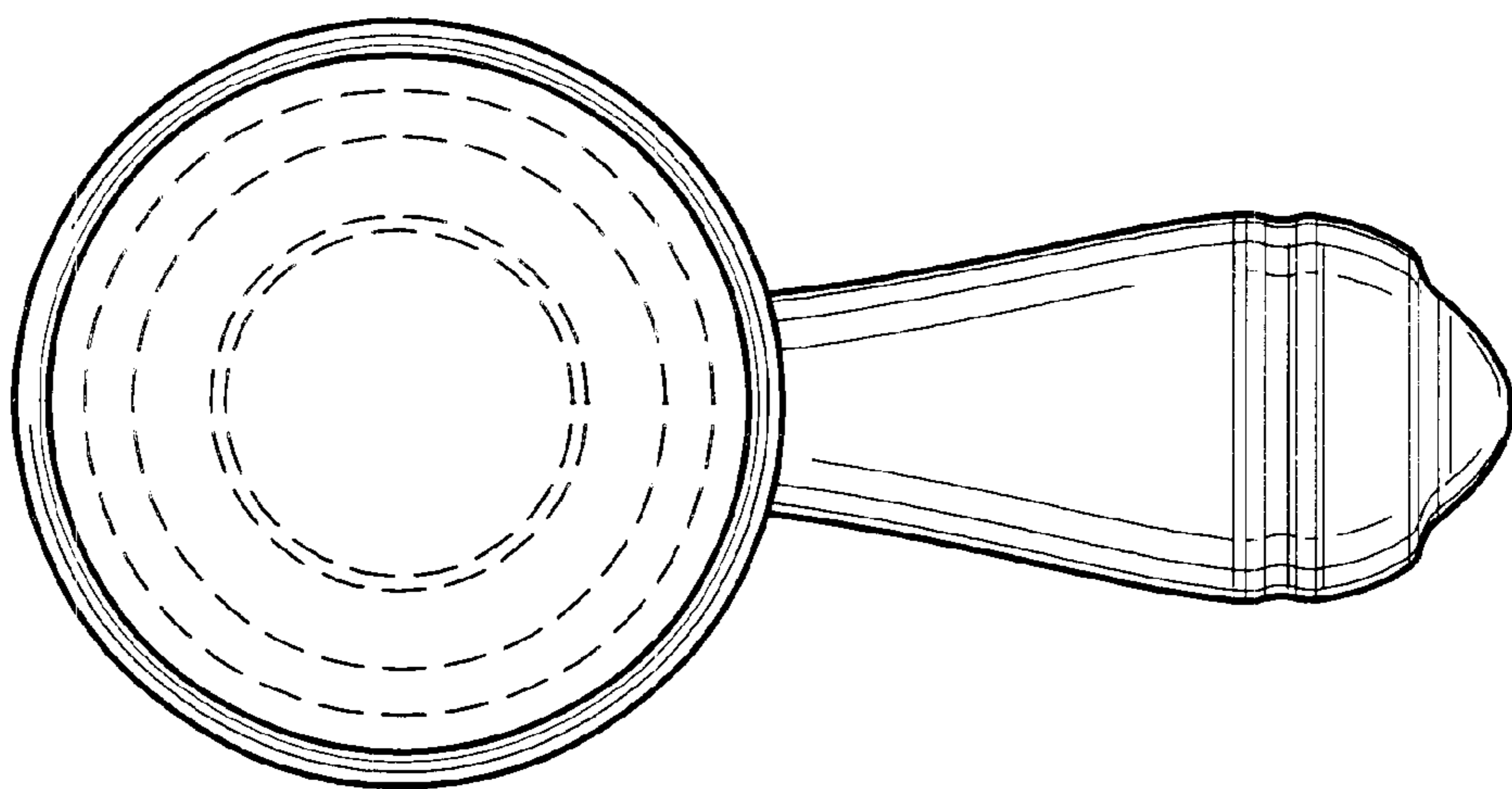


Figure - 8