



US00D460805S

(12) **United States Design Patent**  
**Balint**

(10) **Patent No.:** **US D460,805 S**

(45) **Date of Patent:** **\*\* Jul. 23, 2002**

(54) **FLIP FLOP HAMMER VALVE MEANS**

(75) **Inventor:** **Zoltan Balint, Niddrie (AU)**

(73) **Assignee:** **Zoltans Pool Products PTY Ltd.,  
Victoria (AU)**

(\*\*) **Term:** **14 Years**

(21) **Appl. No.:** **29/141,824**

(22) **Filed:** **May 14, 2001**

(30) **Foreign Application Priority Data**

Mar. 7, 2001 (AU) ..... 739/2001

(51) **LOC (7) Cl.** ..... **23-01**

(52) **U.S. Cl.** ..... **D23/249**

(58) **Field of Search** ..... D23/249; 15/1.7,  
15/404; 137/624.14

(56) **References Cited**

**U.S. PATENT DOCUMENTS**

4,023,227 A	5/1977	Chavier	
4,152,802 A	5/1979	Chavier	
4,156,948 A	6/1979	Chavier et al.	
4,193,156 A	3/1980	Chavier	
5,706,540 A *	1/1998	Niewiarowski	15/1.7
5,753,791 A *	5/1998	Scheppers et al.	73/1.06
5,794,293 A *	8/1998	Hoffinger	15/1.7

5,970,557 A *	10/1999	Supra	15/1.7
6,125,492 A *	10/2000	Prowse	15/107
6,292,969 B1 *	9/2001	Supra	15/1.7
6,298,513 B1 *	10/2001	Rief et al.	15/1.7

**OTHER PUBLICATIONS**

Exerpt from *Kreepy Krauly Owner's Manual*; Website Advertisement of Product at [www.pentairpool.com](http://www.pentairpool.com), initial date unknown, two pages.

\* cited by examiner

*Primary Examiner*—Nelson C. Holtje

(74) *Attorney, Agent, or Firm*—Greer, Burns & Crain, Ltd.

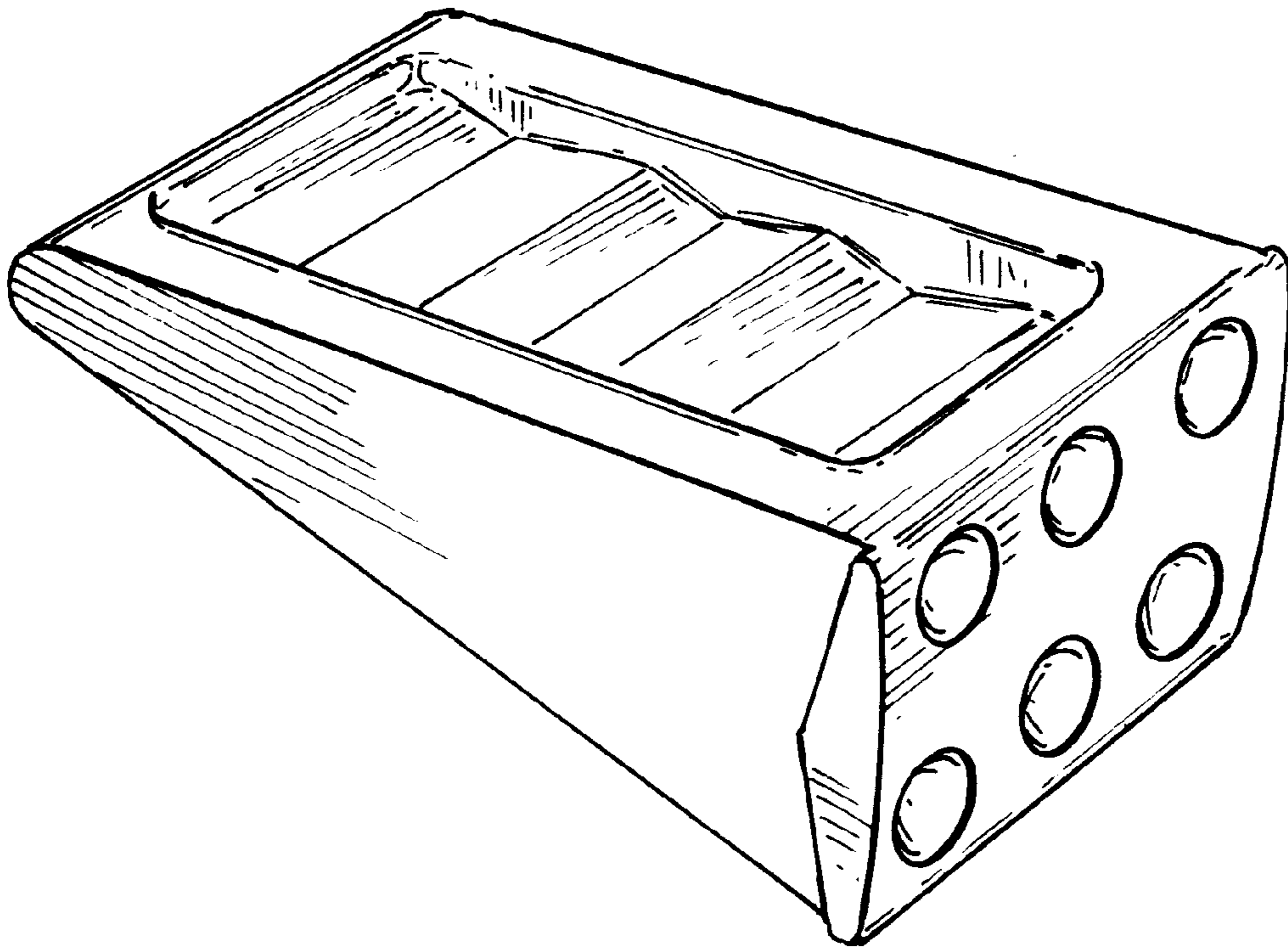
(57) **CLAIM**

The ornamental design for a flip flop hammer valve means, as shown and described.

**DESCRIPTION**

FIG. 1 is a perspective elevational view of a first embodiment of my new design;  
FIG. 2 is a rear view of the embodiment of FIG. 1;  
FIG. 3 is a front view of same;  
FIG. 4 is a side view thereof, both sides being identical; and,  
FIG. 5 is an overhead plan view, the bottom view being the same.

**1 Claim, 1 Drawing Sheet**



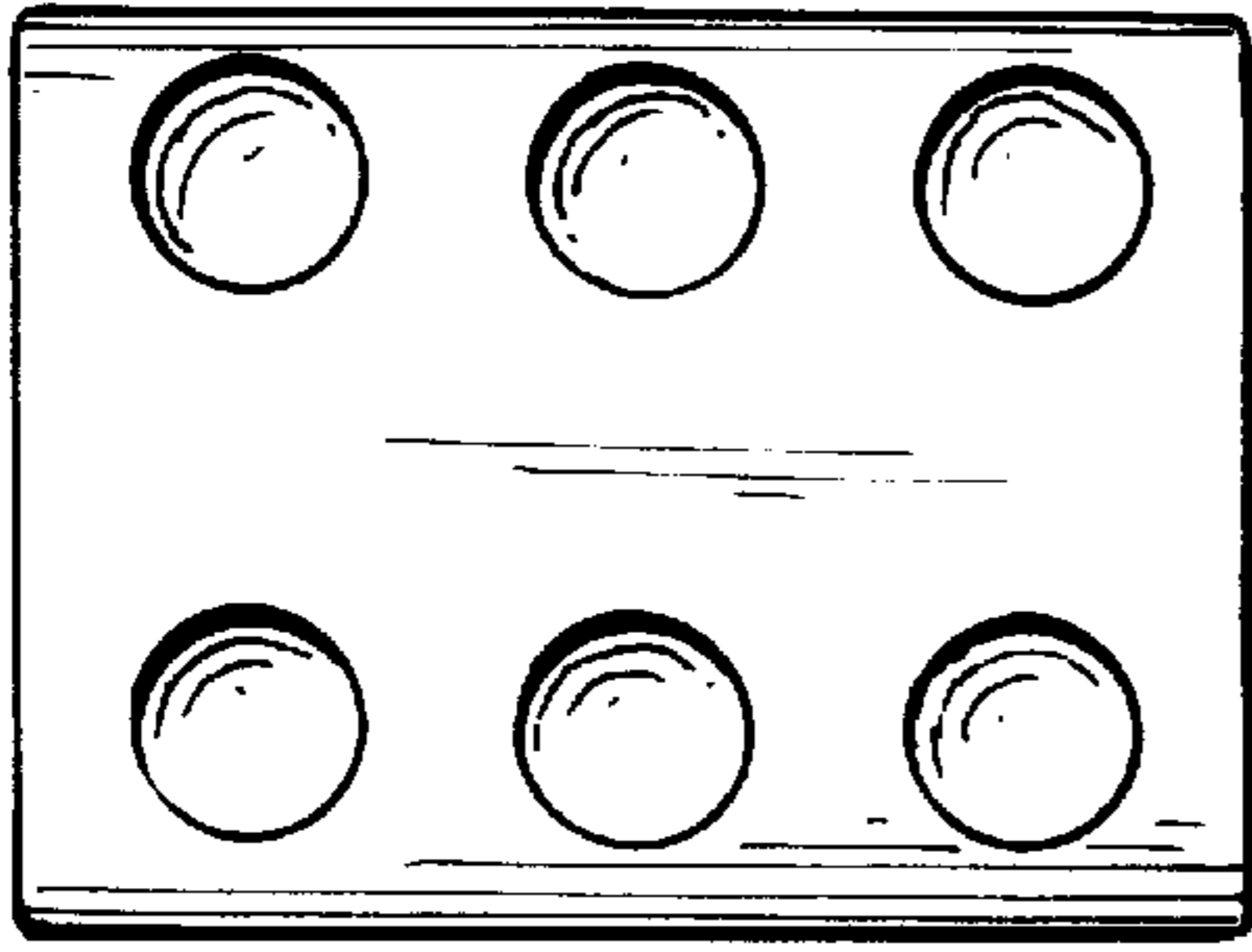


FIG. 2.

FIG. 1.

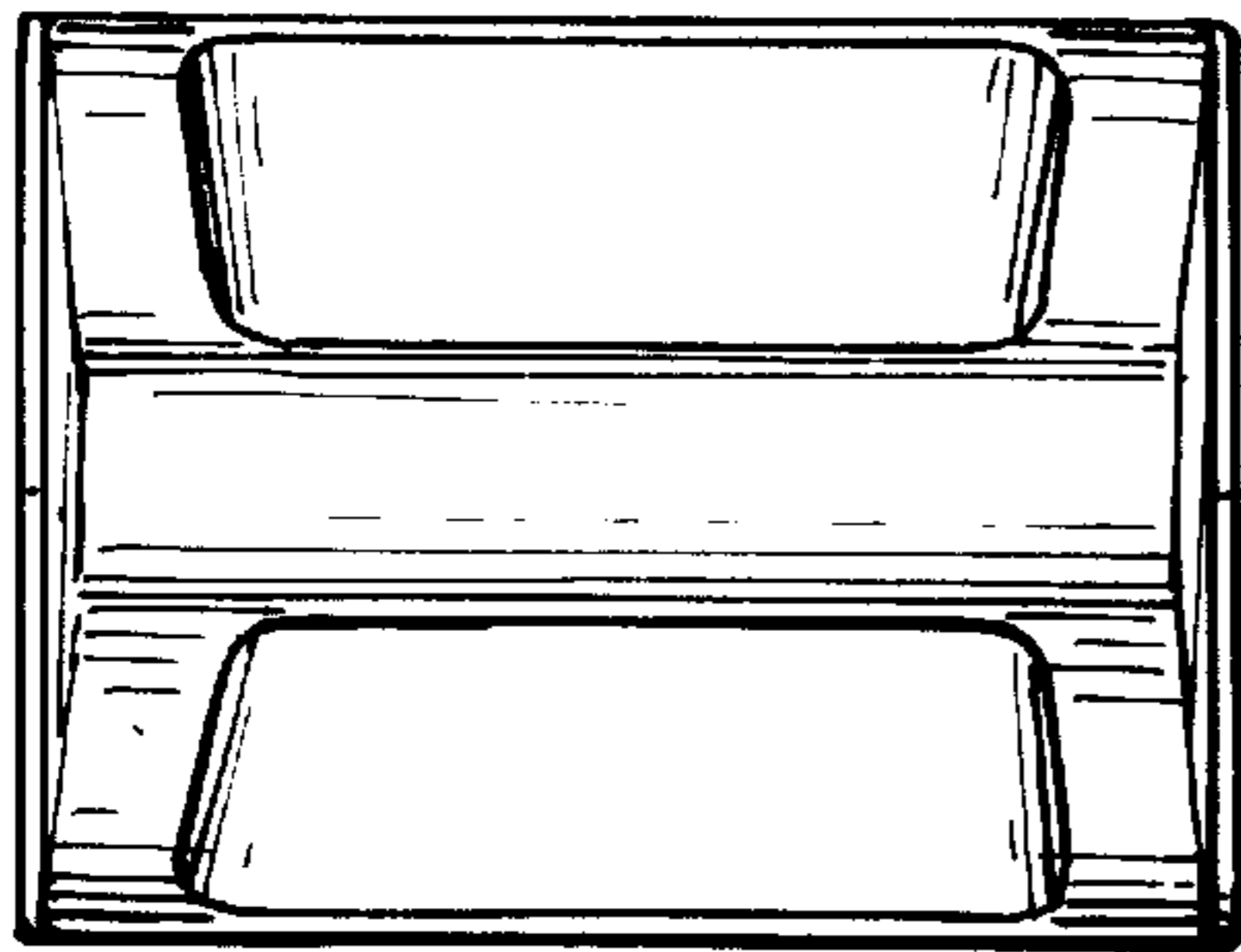
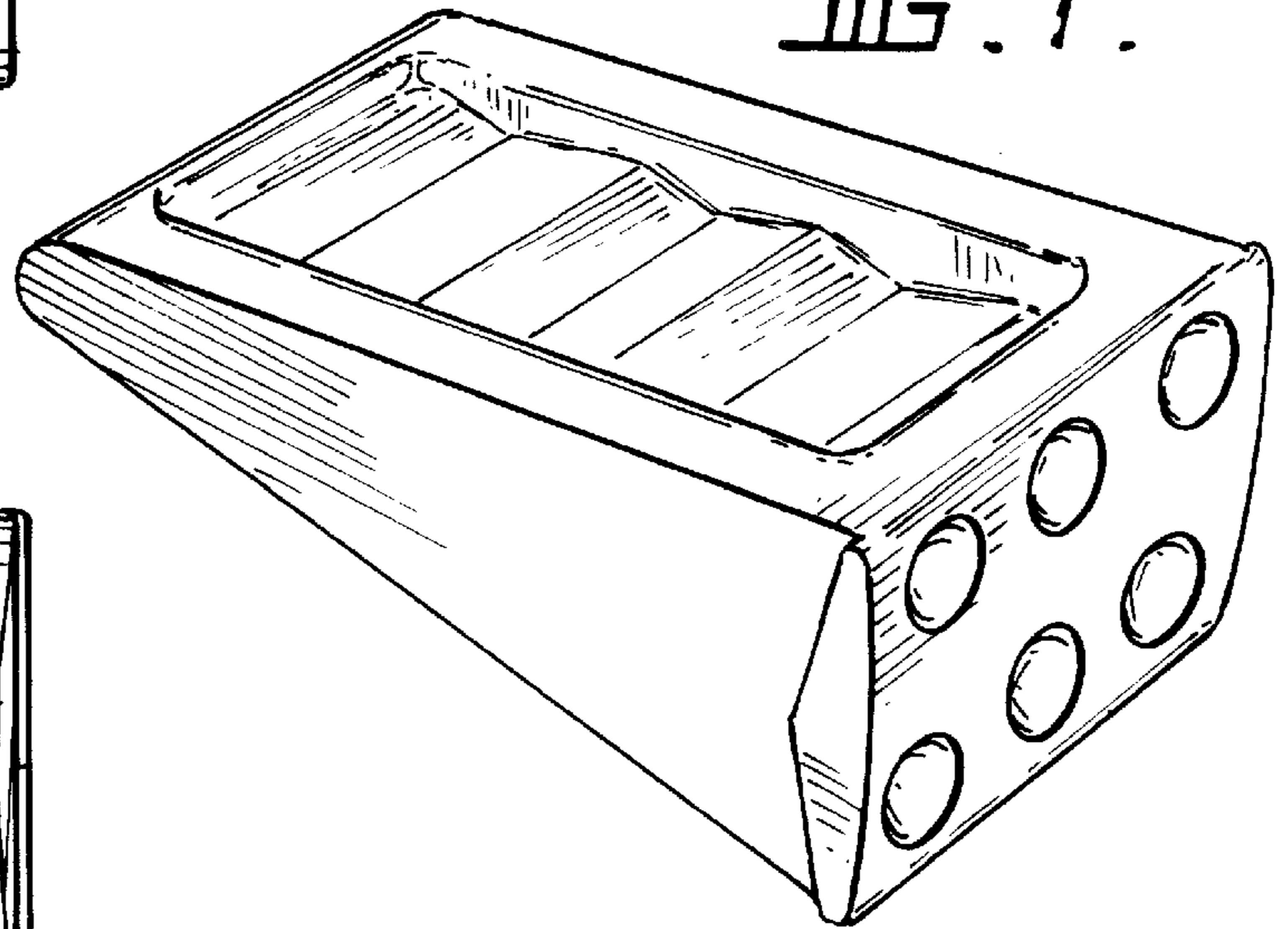


FIG. 3.

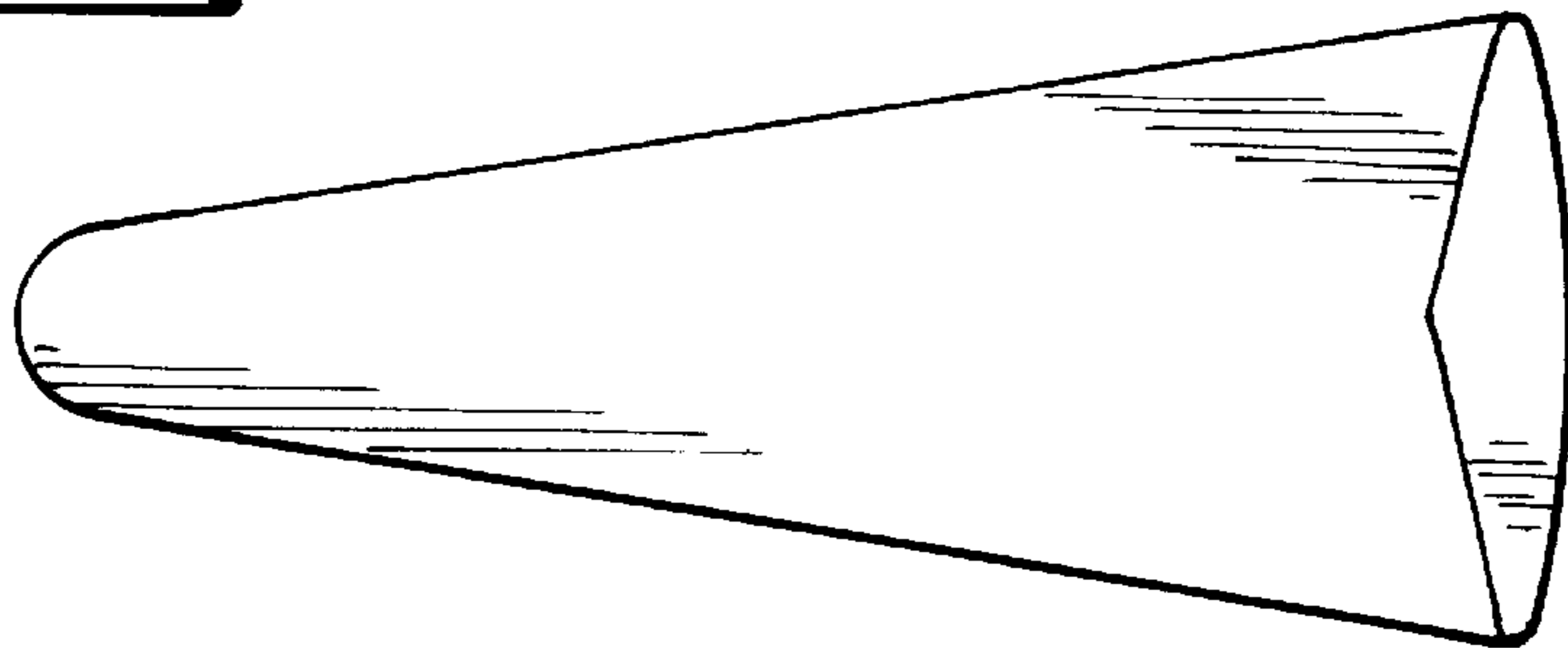


FIG. 4.

FIG. 5.

