



US00D460804S

(12) **United States Design Patent**  
**Bonzer**

(10) **Patent No.: US D460,804 S**

(45) **Date of Patent: \*\* \*Jul. 23, 2002**

(54) **HOSE NOZZLE**

(76) **Inventor: Robert L. Bonzer**, 905 W. Amity Rd.,  
Boise, ID (US) 83705

(\* **Notice:** This patent is subject to a terminal disclaimer.

(\*\*) **Term: 14 Years**

(21) **Appl. No.: 29/141,523**

(22) **Filed: May 7, 2001**

(51) **LOC (7) Cl. .... 23-01**

(52) **U.S. Cl. .... D23/213**

(58) **Field of Search .... D23/213, 214;**  
239/589, 602

(56) **References Cited**

**U.S. PATENT DOCUMENTS**

3,550,861 A	*	12/1970	Teson	239/602
D379,491 S		5/1997	Goodin	D23/26
D380,034 S	*	6/1997	Simonette	D23/213
D382,935 S		8/1997	Wang	D23/223
D382,936 S		8/1997	Shfaram	D23/223
D382,937 S		8/1997	Shfaram	D23/223
5,671,954 A		9/1997	Cheramie	285/281
D391,349 S		2/1998	Chih	D23/229
D391,627 S		3/1998	Goodin	D23/226
5,795,053 A		8/1998	Pierce	362/96
D398,371 S		9/1998	Sundahl	D23/213
D399,919 S		10/1998	Goodin	D23/226
D401,670 S		11/1998	Goodin	D23/226
D402,000 S		12/1998	Goodin	D23/226
5,845,851 A		12/1998	Shfaram	239/525

D404,798 S	1/1999	Goodin	D23/226
D407,140 S	3/1999	Heren	D23/223
D409,717 S	5/1999	Heren et al.	D23/213
D421,483 S	3/2000	Patrick	D23/226
D422,056 S	3/2000	Patrick	D23/226
D422,057 S	3/2000	Garza	D23/226
6,036,117 A	3/2000	Heren et al.	239/456
D422,338 S	4/2000	Patrick	D23/226
D426,285 S	6/2000	Heren	D23/226
6,073,863 A	6/2000	Wang	239/525
D431,069 S	9/2000	Heren	D23/226

**OTHER PUBLICATIONS**

Sherman catalog 1987; #810C Nozzle p. 8.\*  
Seven (7) sheets photos labeled 1A, 1B, 2A, 2B, 3, 4 and 5.

\* cited by examiner

*Primary Examiner*—Robin V. Taylor

(74) *Attorney, Agent, or Firm*—Frank J. Dykas; Robert L. Shaver; Stephen M. Nipper

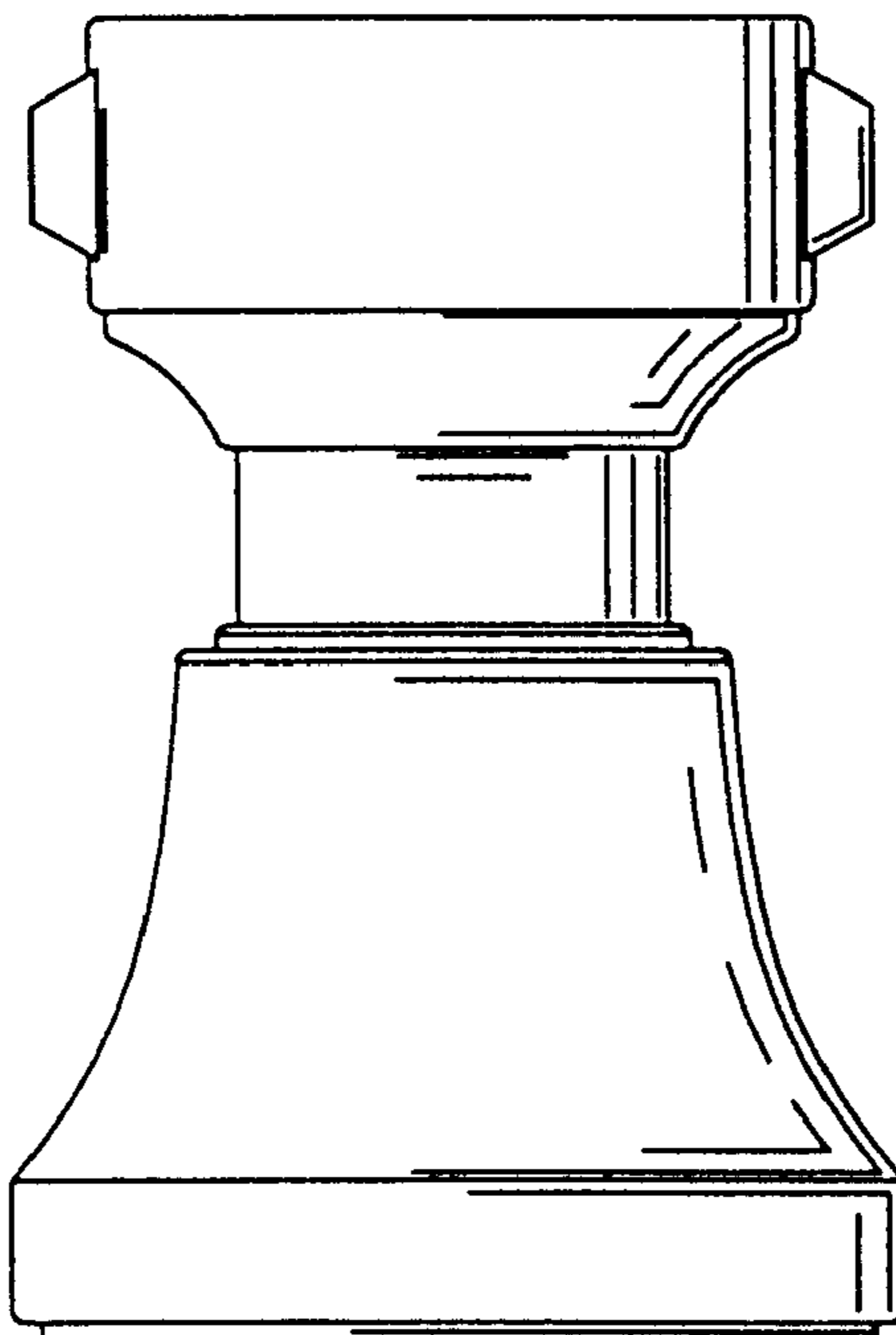
(57) **CLAIM**

The ornamental design for a hose nozzle, as shown and described.

**DESCRIPTION**

FIG. 1 is a perspective representational view of a hose nozzle showing my new design;  
FIG. 2 is a first side view of the a hose nozzle;  
FIG. 3 is a second side view of the a hose nozzle;  
FIG. 4 is a bottom view of the a hose nozzle; and,  
FIG. 5 is a top view of the a hose nozzle.

**1 Claim, 1 Drawing Sheet**



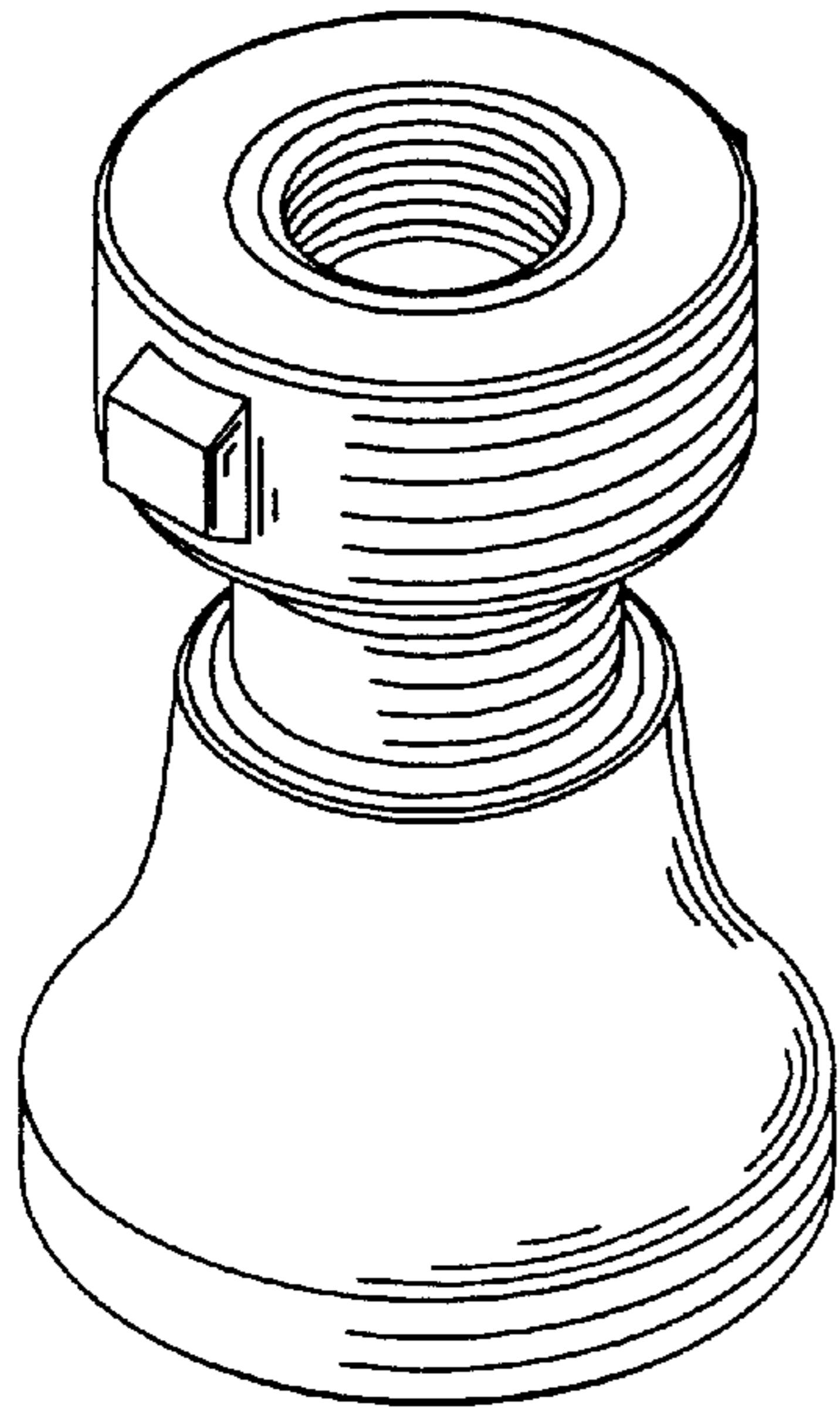


FIG. 1

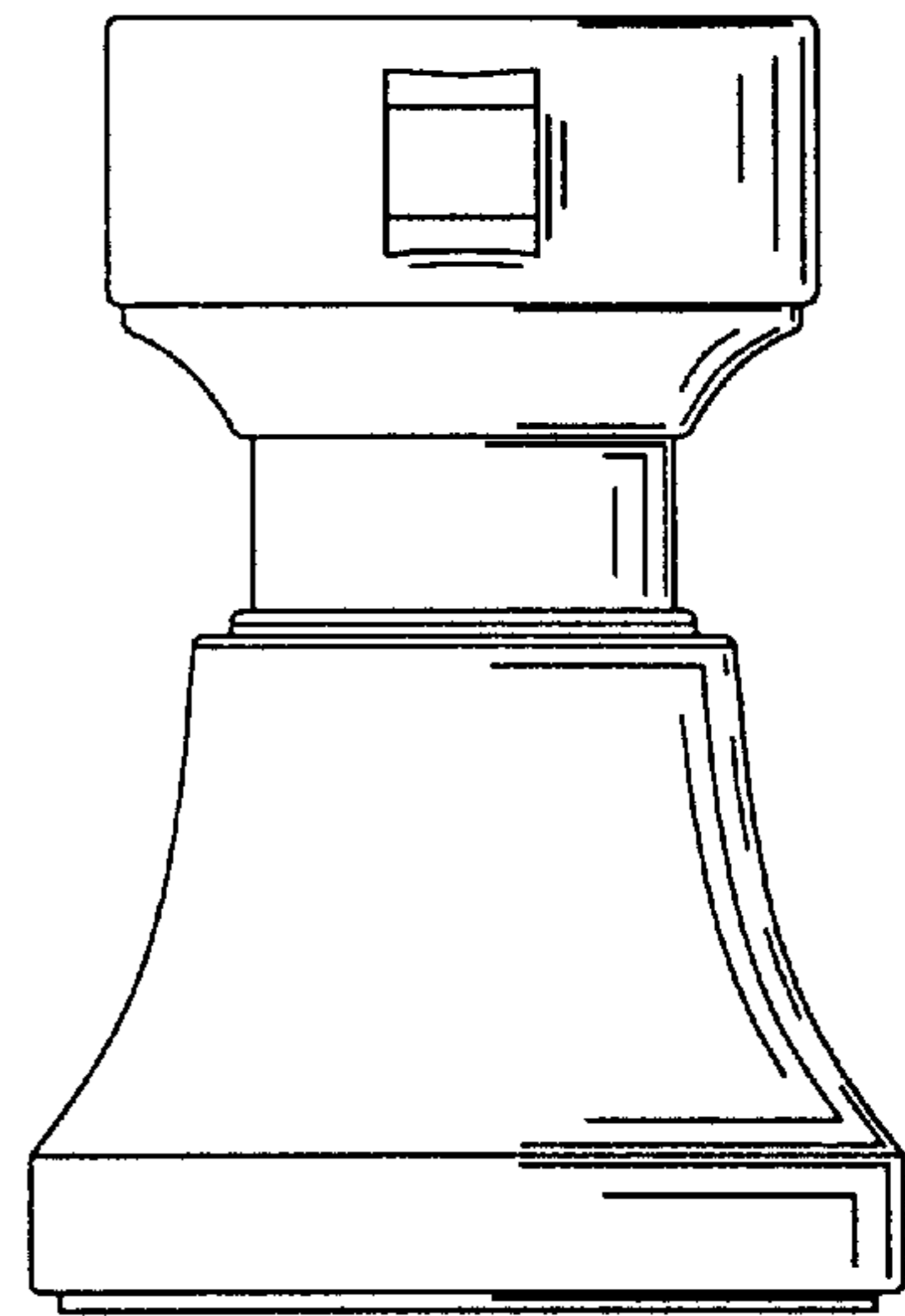


FIG. 2

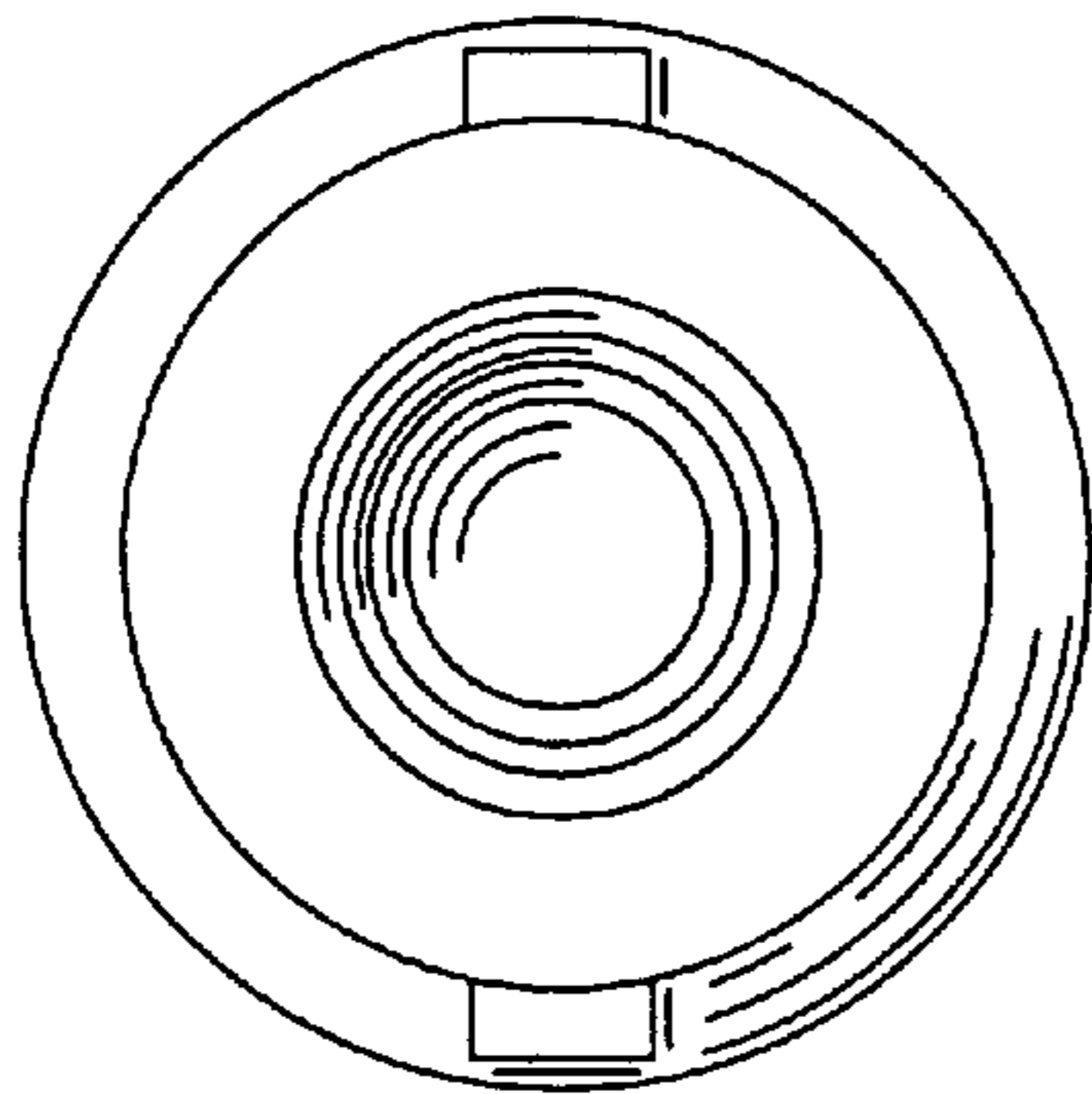


FIG. 4

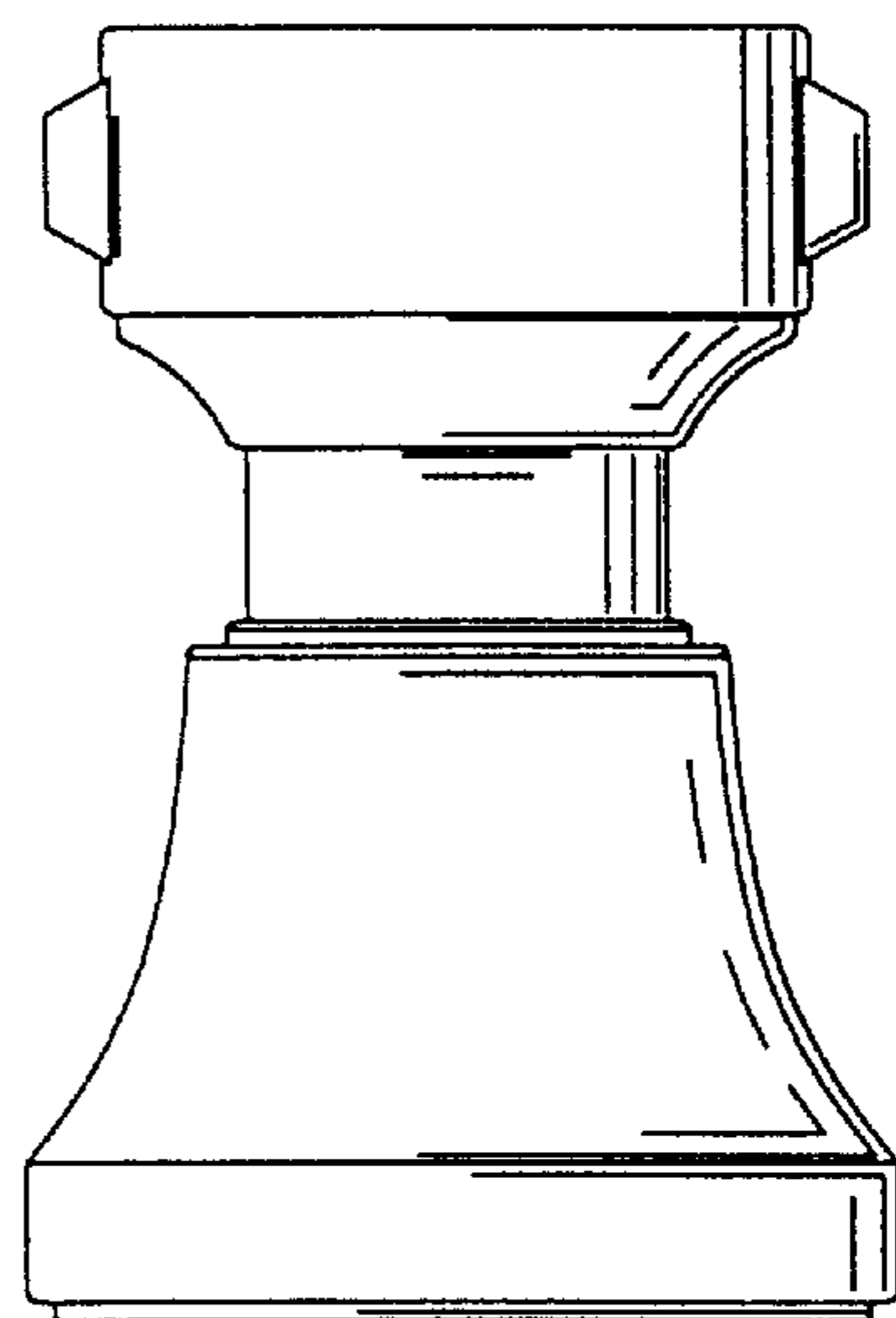


FIG. 3

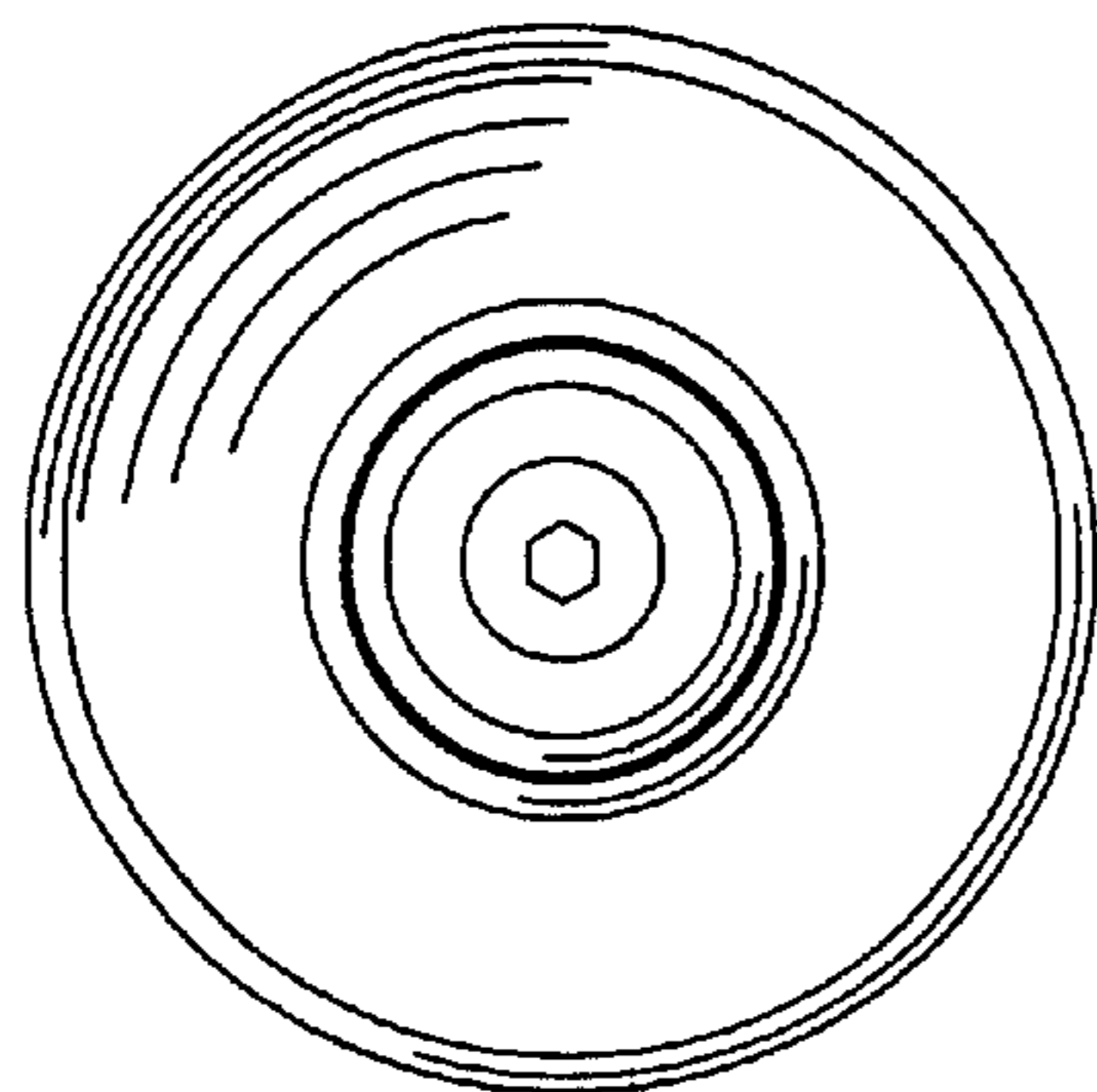


FIG. 5