

US00D460800S

(12) **United States Design Patent**
Jan

(10) **Patent No.:** **US D460,800 S**

(45) **Date of Patent:** **** Jul. 23, 2002**

(54) **ION FRESHENER WITH PEST REPELLING**

D440,274 S * 4/2001 Davis D22/120

(76) Inventor: **Te-Chin Jan**, 8F, No.21, Ln.120, Sec.1,
NeiHu Rd., Taipei (TW)

* cited by examiner

(**) Term: **14 Years**

Primary Examiner—Catherine R. Oliver

(74) *Attorney, Agent, or Firm*—Troxell Law Office PLLC

(21) Appl. No.: **29/149,564**

(57) **CLAIM**

(22) Filed: **Oct. 15, 2001**

The ornamental design for “ion freshener with pest repelling”, as shown and described.

(51) **LOC (7) Cl.** **22-05**

DESCRIPTION

(52) **U.S. Cl.** **D22/120**

FIG. 1 is a perspective view of “ion freshener with pest-repelling” showing my design;

(58) **Field of Search** D22/120, 122,
D22/123, 119, 121; 43/124, 126, 129; 367/139

FIG. 2 is a front view thereof;

FIG. 3 is a rear view thereof;

(56) **References Cited**

FIG. 4 is a left side elevational view thereof;

U.S. PATENT DOCUMENTS

FIG. 5 is a right side elevational view thereof;

D238,171 S * 12/1975 Banich D22/120

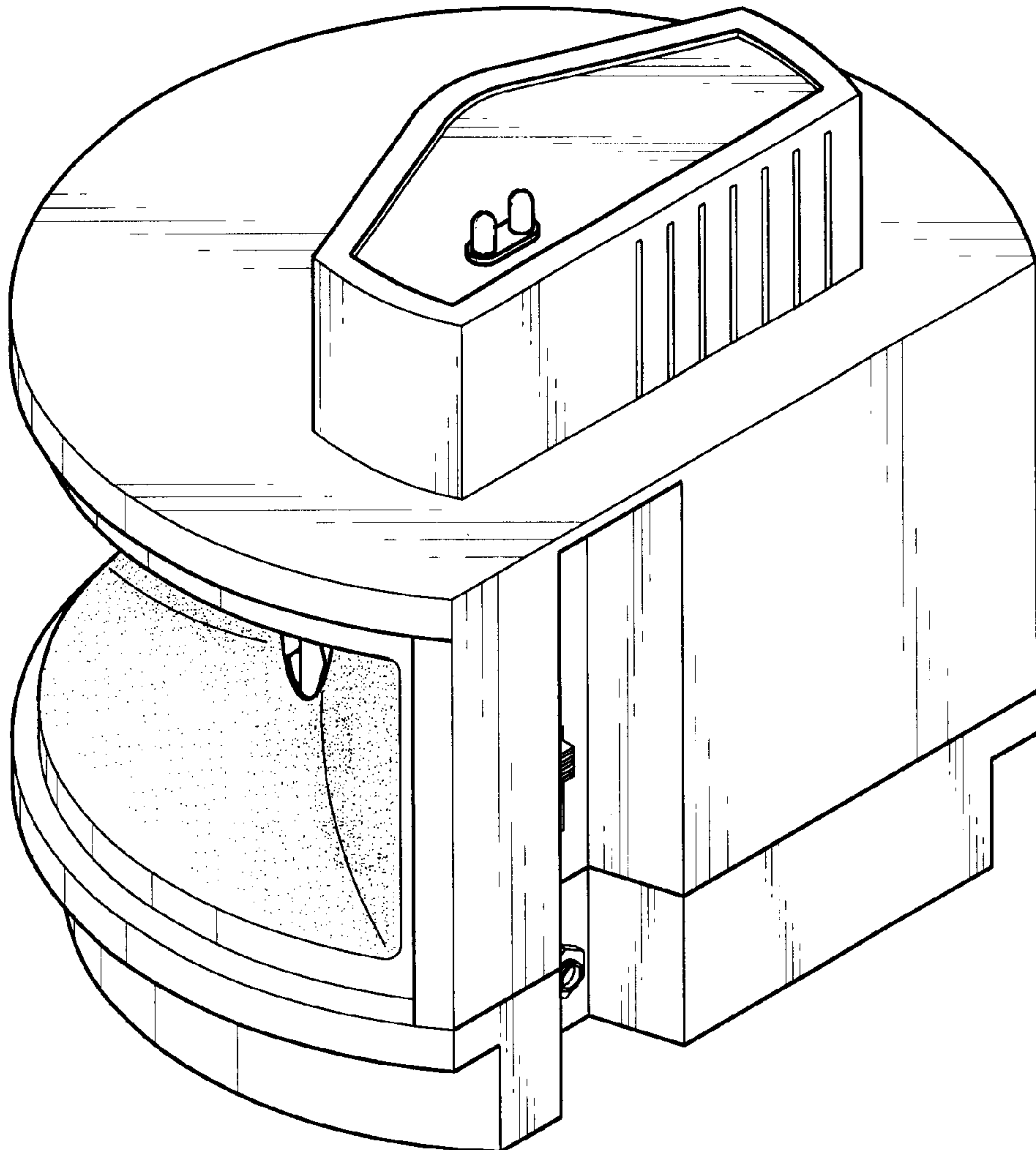
FIG. 6 is a top plan view thereof; and,

D344,319 S * 2/1994 Liu D22/120

FIG. 7 is a bottom plan view thereof.

D410,062 S * 5/1999 Jan D22/120

1 Claim, 4 Drawing Sheets



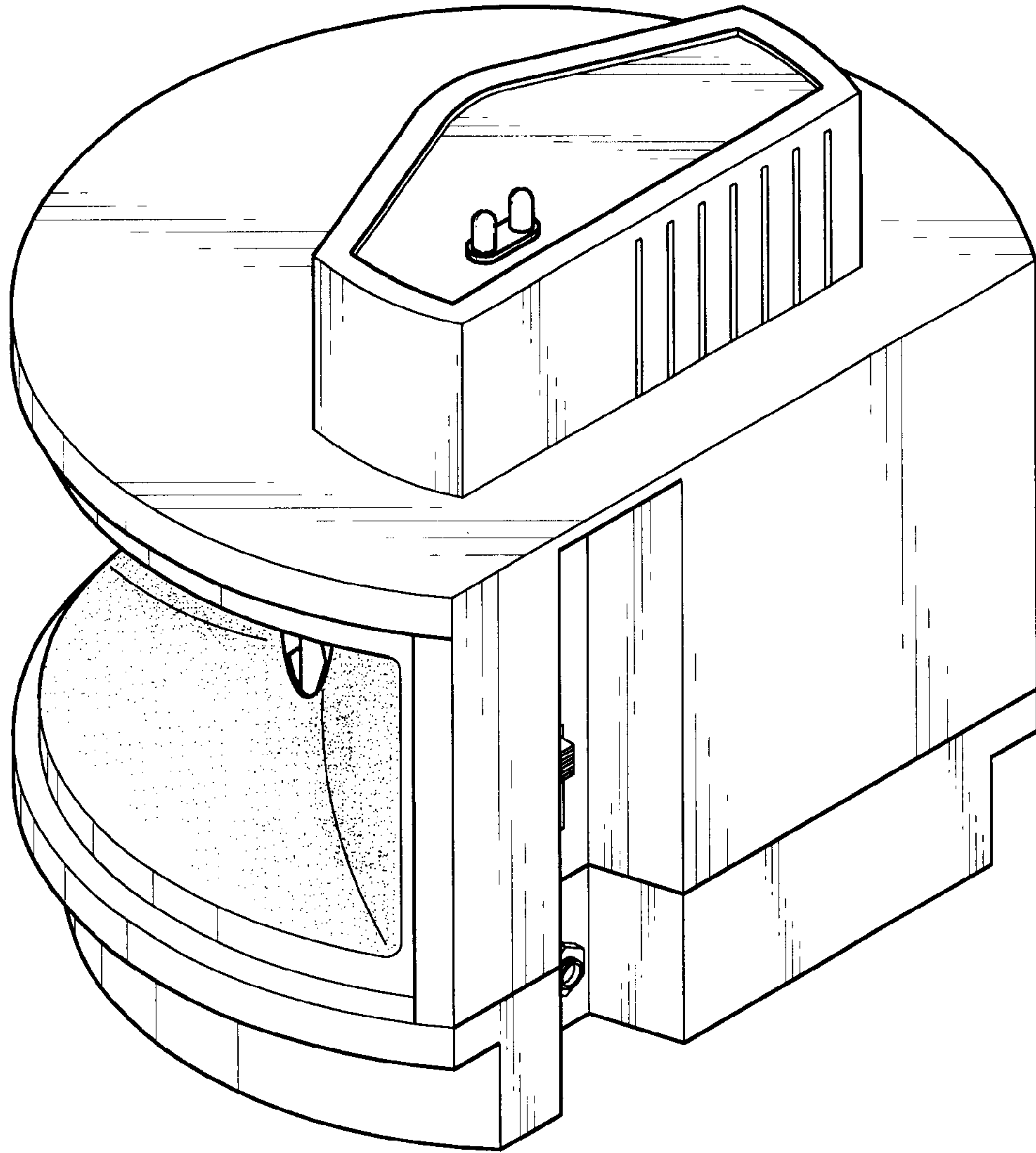


FIG. 1

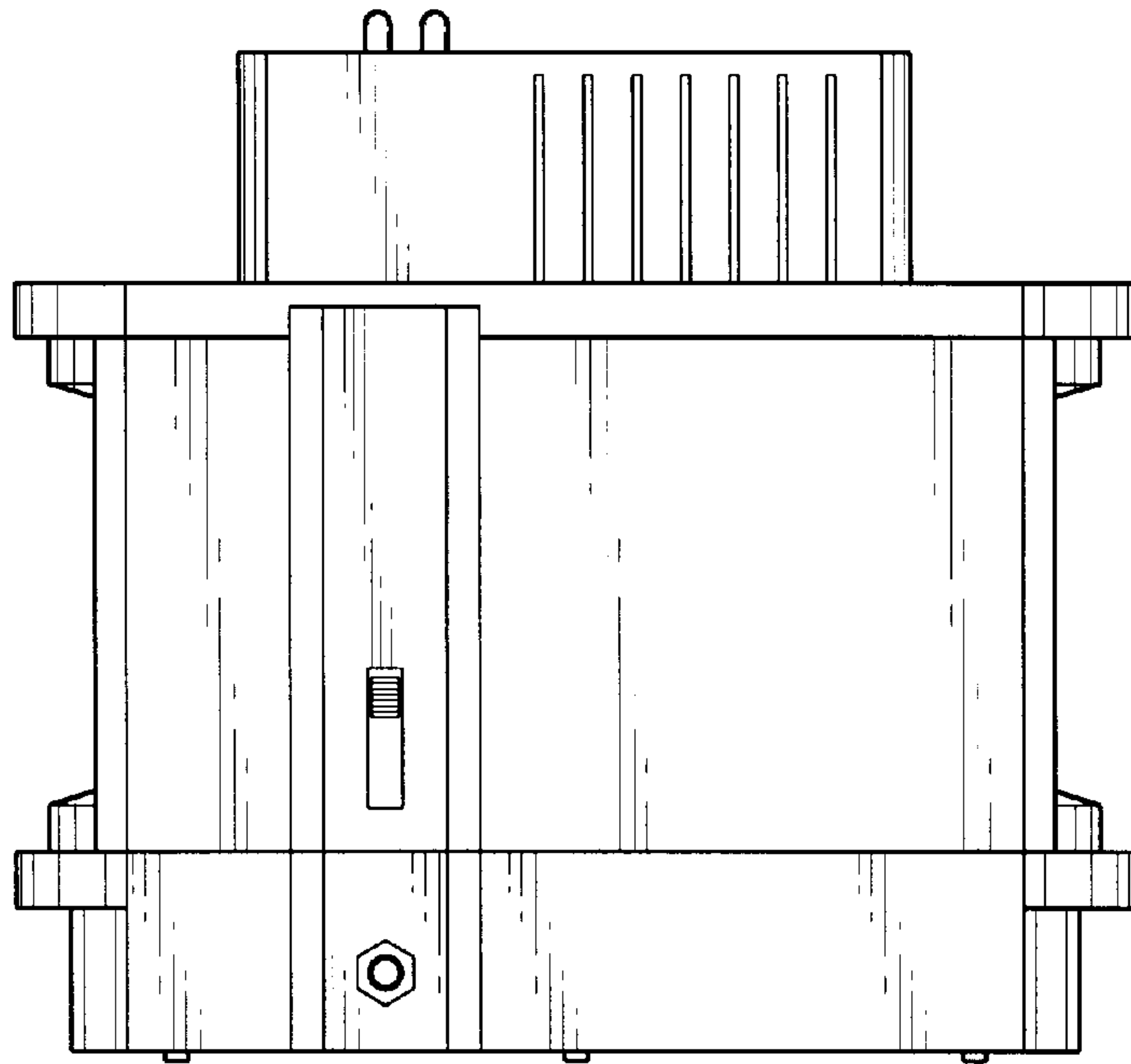


FIG. 2

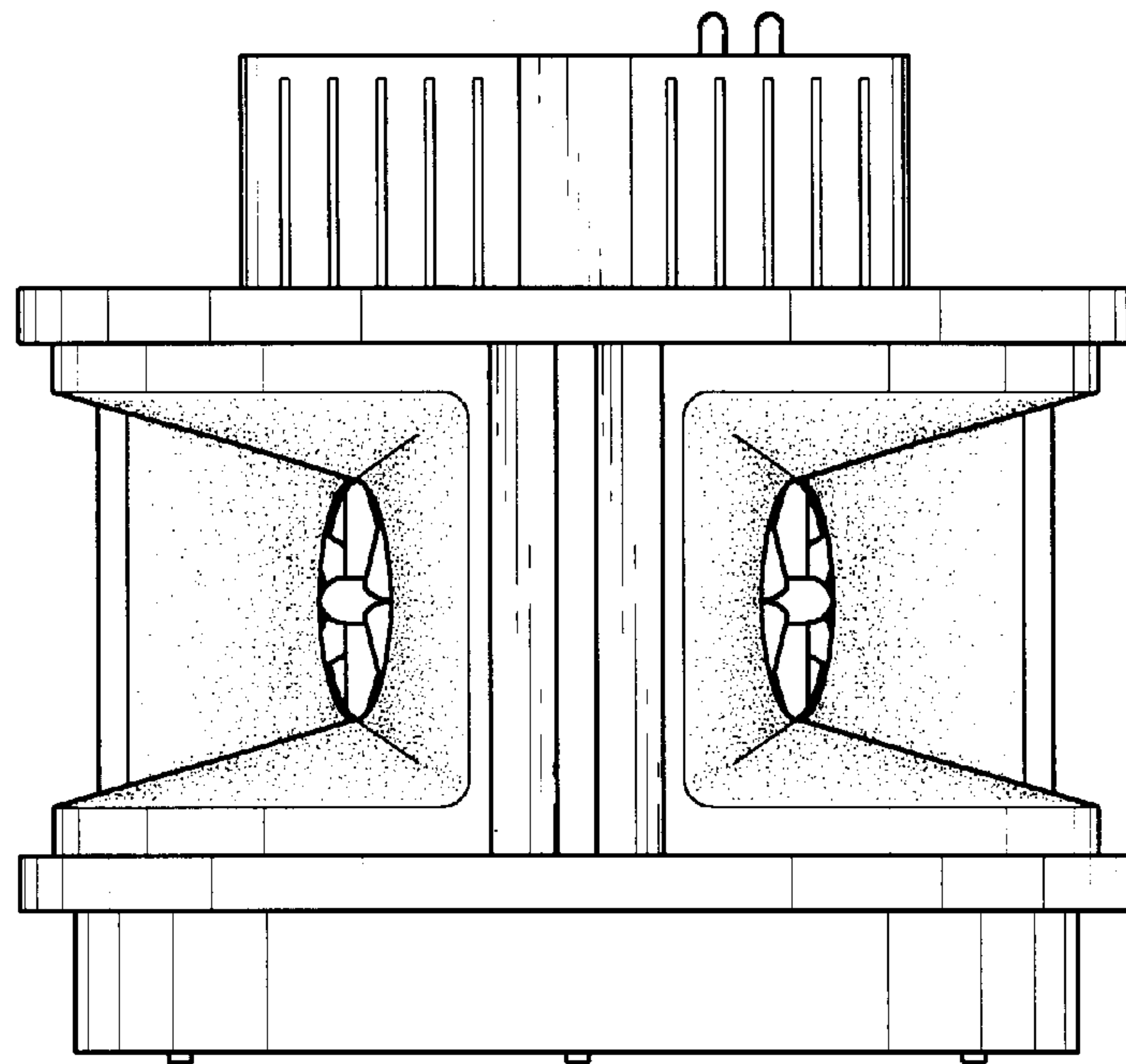


FIG. 3

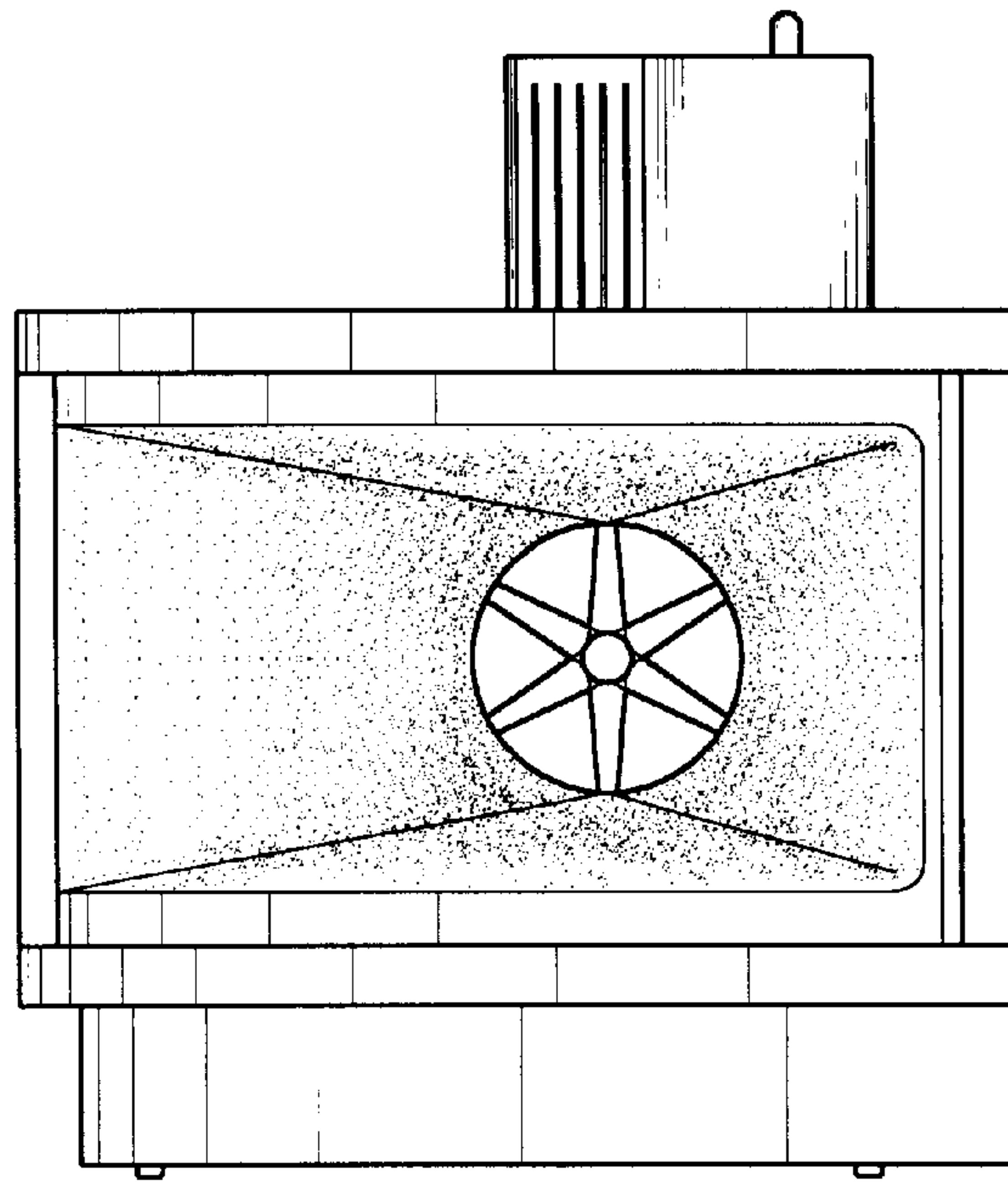


FIG. 4

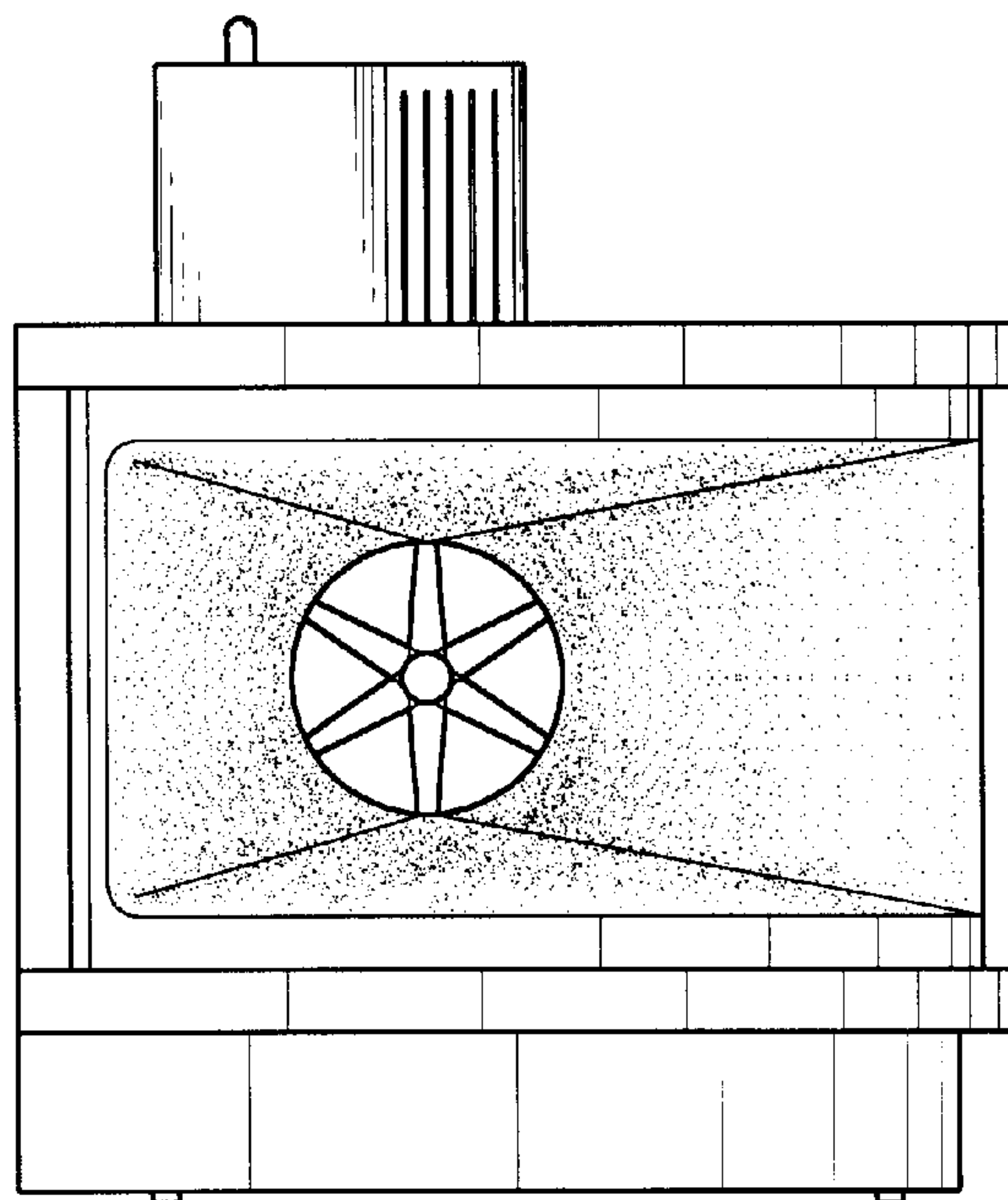


FIG. 5

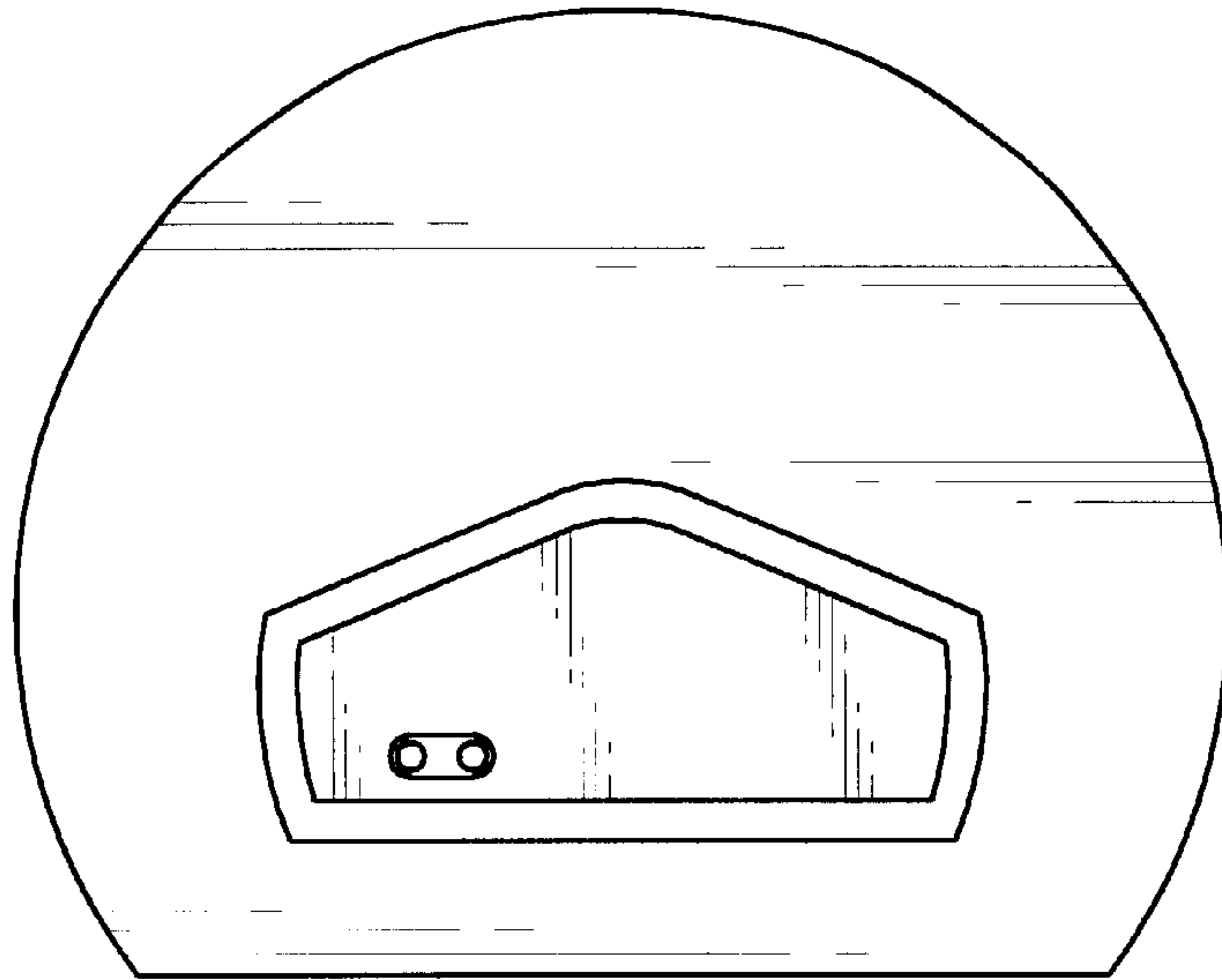


FIG. 6

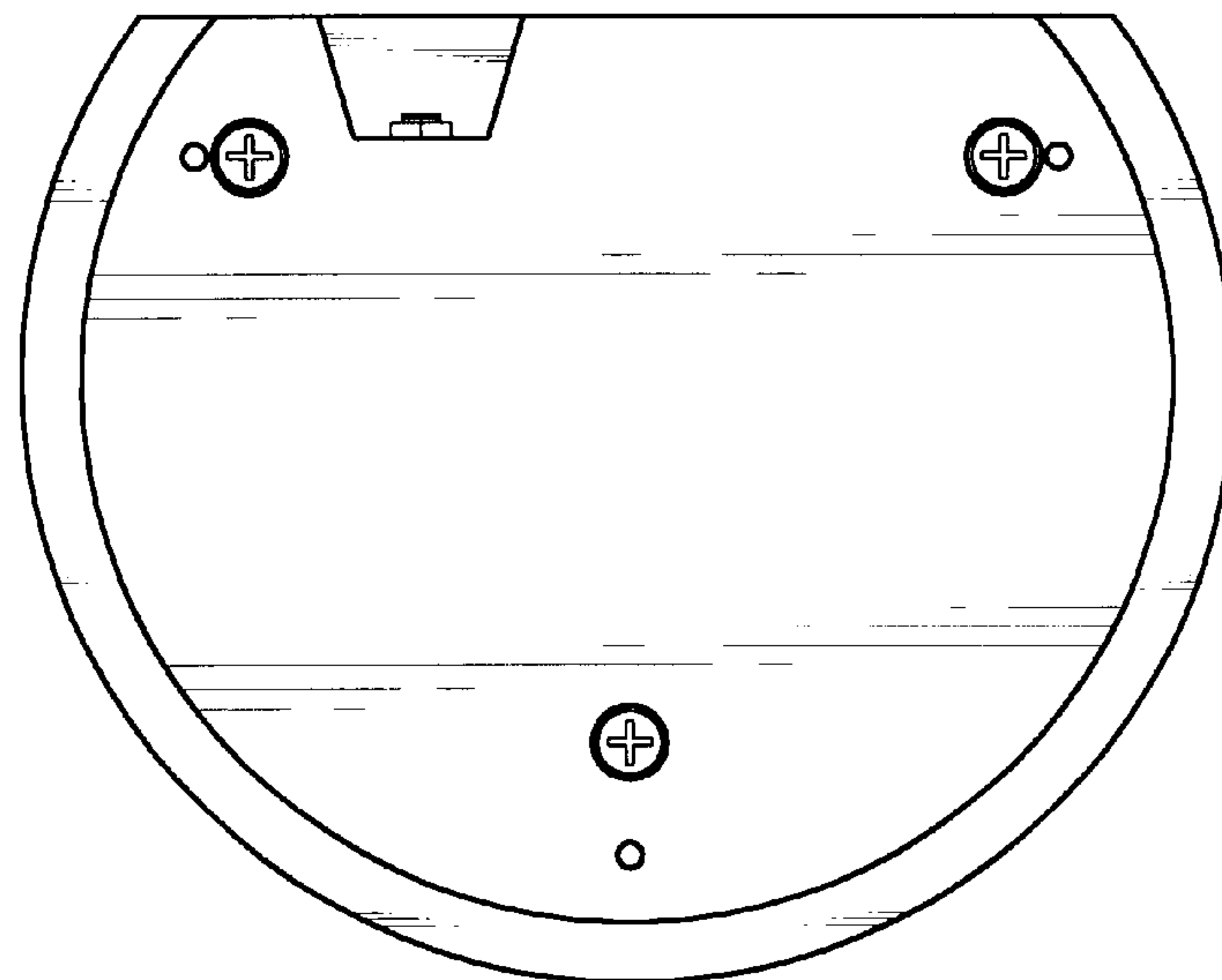


FIG. 7