



US00D460799S

(12) **United States Design Patent**  
**Norris**

(10) **Patent No.:** **US D460,799 S**

(45) **Date of Patent:** **\*\* Jul. 23, 2002**

(54) **SLING SWIVEL**

(75) **Inventor:** **Larry A. Norris, Hillsboro, OR (US)**

(73) **Assignee:** **Michaels of Oregon Co., Oregon City, OR (US)**

(\*\*) **Term:** **14 Years**

(21) **Appl. No.:** **29/147,869**

(22) **Filed:** **Sep. 7, 2001**

(51) **LOC (7) Cl.** ..... **22-01**

(52) **U.S. Cl.** ..... **D22/108**

(58) **Field of Search** ..... **D22/100, 101, D22/108, 199; 24/2.5; 42/85; 59/95; 224/150**

4,505,012 A	3/1985	Johnson
4,584,858 A	4/1986	Wolter
4,841,658 A	6/1989	Katsenes
5,018,652 A	5/1991	Holtzclaw, Jr.
5,067,267 A	11/1991	Ives
5,074,069 A	12/1991	Shire
5,148,582 A	9/1992	Dennis, Jr.
5,279,060 A	1/1994	Watson
5,325,618 A	7/1994	Turner
5,433,360 A	7/1995	Rock
5,440,787 A	8/1995	Figueroa et al.
5,642,584 A	7/1997	Riggenbach
5,669,118 A	9/1997	Frano et al.
5,692,654 A	12/1997	Bell
5,802,756 A	9/1998	Hightower
6,112,448 A	9/2000	Gray et al.
6,178,600 B1	1/2001	French
D444,201 S	6/2001	Norris

(56) **References Cited**

**U.S. PATENT DOCUMENTS**

156,614 A	*	11/1874	Whitney	.....	24/2.5
980,269 A		1/1911	Hunold		
1,088,314 A		2/1914	Wilcke		
1,309,431 A		7/1919	Badger		
1,396,270 A	*	11/1921	Grierson	.....	24/2.5
1,913,841 A		6/1933	Lowe		
2,078,010 A		4/1937	Meepos		
2,190,268 A		2/1940	Magid		
2,296,733 A		9/1942	Paolino		
2,639,480 A	*	5/1953	Magid	.....	24/2.5
2,758,440 A	*	8/1956	Magid	.....	42/85
2,771,699 A		11/1956	Herter		
3,061,965 A		11/1962	Lewis		
3,066,375 A	*	12/1962	Knowles et al.	.....	42/85
3,704,537 A		12/1972	McKinzie		
3,715,827 A	*	2/1973	McKinzie	.....	24/2.5
4,209,157 A		6/1980	Edmisten		
4,299,343 A		11/1981	Atchisson		
4,454,675 A		6/1984	Ives		

\* cited by examiner

*Primary Examiner*—Louis S. Zarfaz  
*Assistant Examiner*—Monica A. Weingart  
(74) *Attorney, Agent, or Firm*—Chernoff, Vilhauer McClung & Stenzel

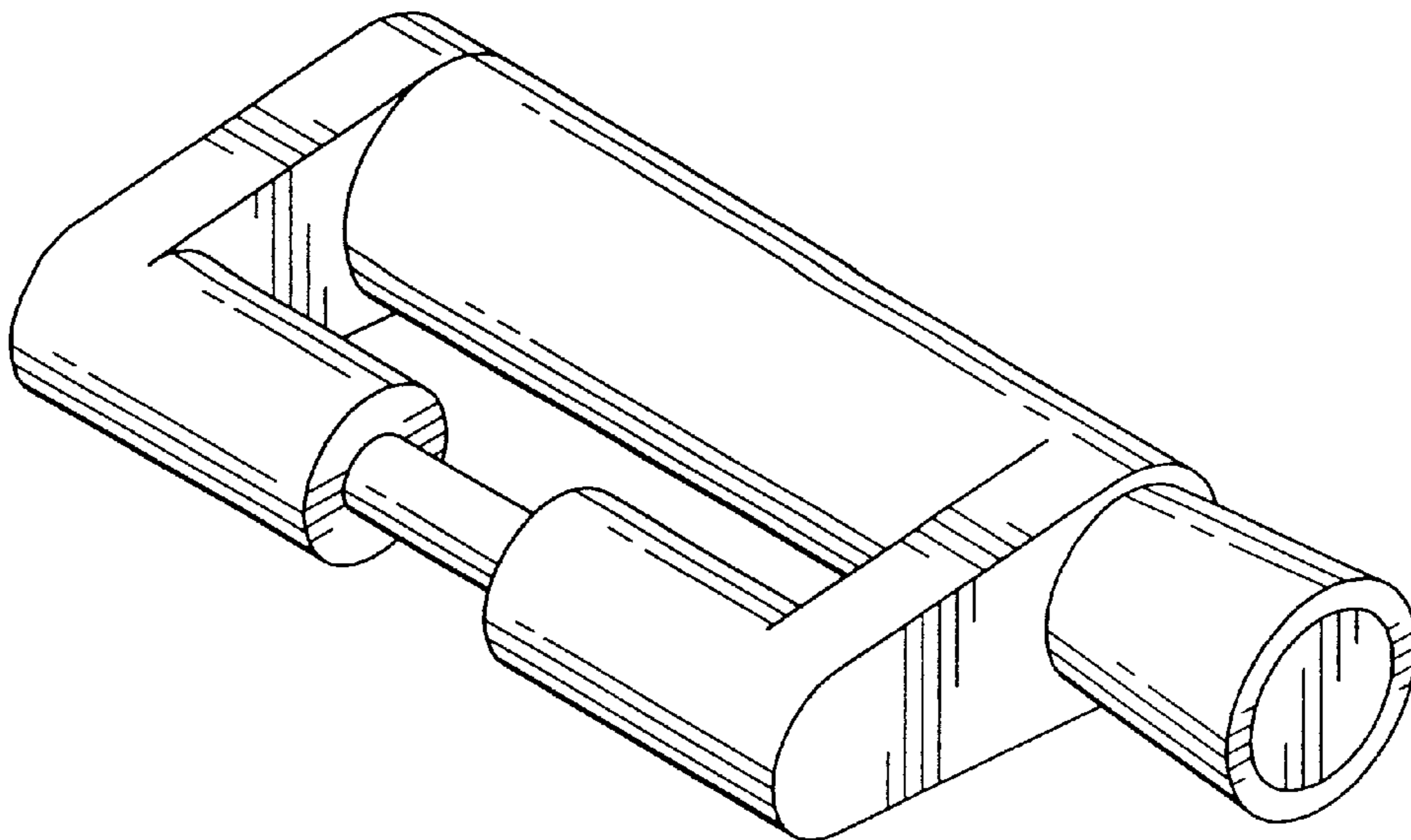
(57) **CLAIM**

The ornamental design for a sling swivel, as shown and described.

**DESCRIPTION**

FIG. 1 is a perspective view of the sling swivel according to my novel design;  
FIG. 2 is a top plan view thereof, the bottom plan view being a mirror image thereof;  
FIG. 3 is a left side elevational view thereof; and,  
FIG. 4 is a right side elevational view thereof.

**1 Claim, 1 Drawing Sheet**



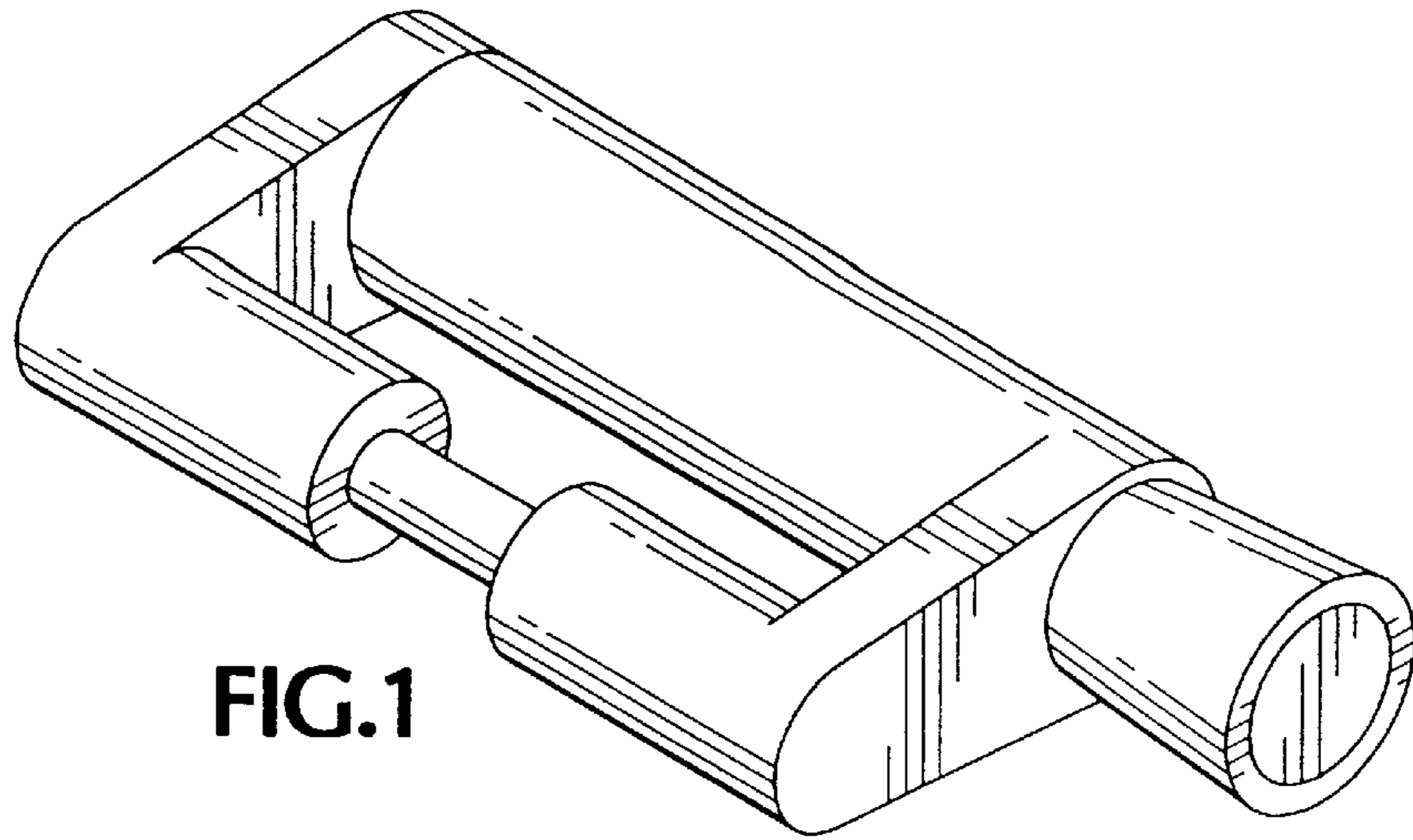


FIG. 1

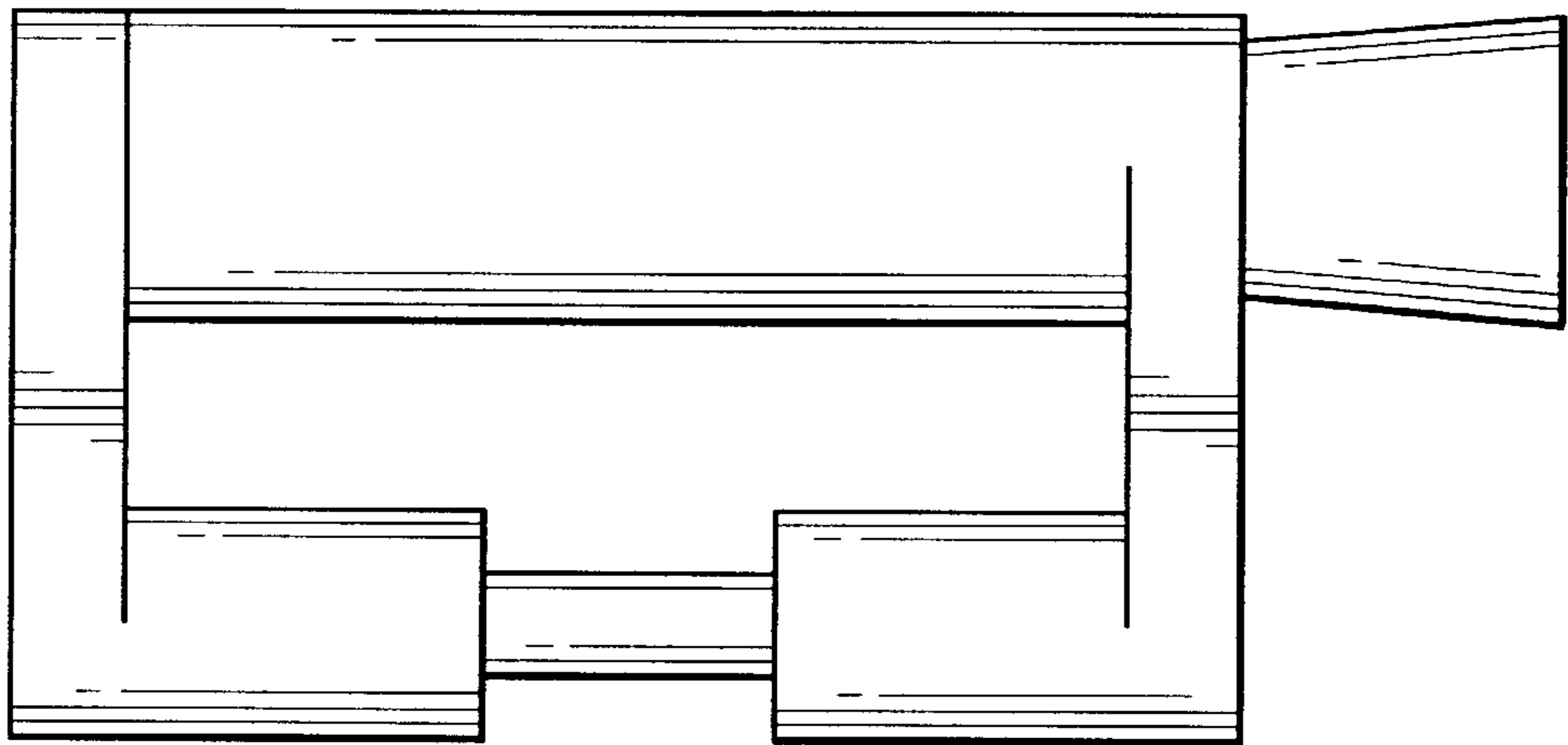


FIG. 2

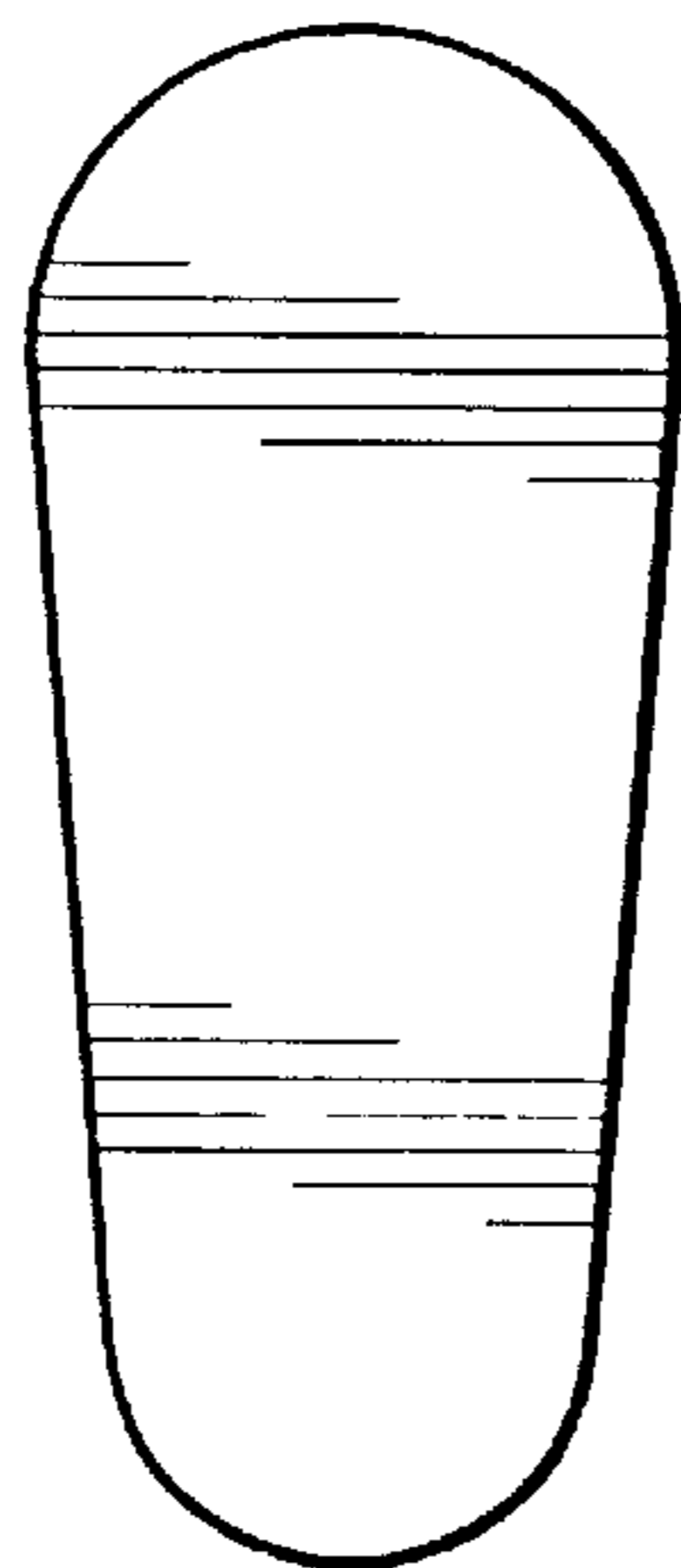


FIG. 3

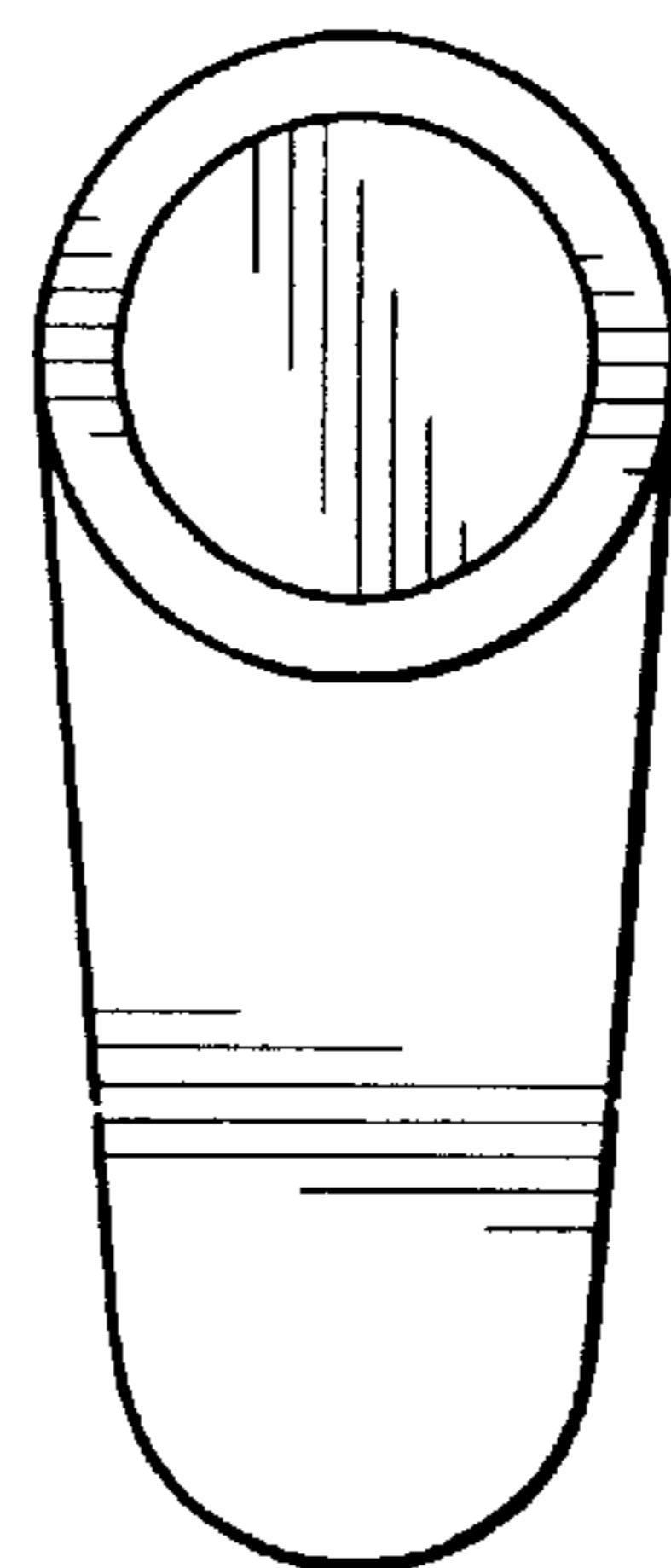


FIG. 4