



US00D460795S

(12) **United States Design Patent**
Fitzpatrick

(10) **Patent No.: US D460,795 S**

(45) **Date of Patent: ** Jul. 23, 2002**

(54) **EXERCISE DEVICE**

D408,063 S * 4/1999 Van Der Hoeven et al. D21/692

(75) Inventor: **Patrick Connor Fitzpatrick**, Essex (GB)

* cited by examiner

(73) Assignee: **Best Direct (International), Ltd.**, Middlesex (GB)

Primary Examiner—Philip S. Hyder
(74) *Attorney, Agent, or Firm*—Fay, Sharpe, Fagan, Minnich & McKee, LLP

(**) Term: **14 Years**

(57) **CLAIM**

(21) Appl. No.: **29/147,177**

The ornamental design for an exercise device, as shown and described.

(22) Filed: **Aug. 23, 2001**

(30) **Foreign Application Priority Data**

DESCRIPTION

Feb. 23, 2001 (GB) 2099747

FIG. 1 is a left side elevational view of an exercise device showing my new design, with the device being in a first position;
FIG. 2 is a front elevational view thereof;
FIG. 3 is a rear elevational view thereof;
FIG. 4 is a right side elevational view thereof;
FIG. 5 is a top plan view thereof;
FIG. 6 is a bottom plan view thereof;
FIG. 7 is a left side elevational view thereof, with the device being in a second position;
FIG. 8 is a right side elevational view thereof, with the device being in a third position; and,
FIG. 9 is a perspective view thereof with the device being in the second position.

(51) **LOC (7) Cl.** **21-02**

(52) **U.S. Cl.** **D21/692; D21/662**

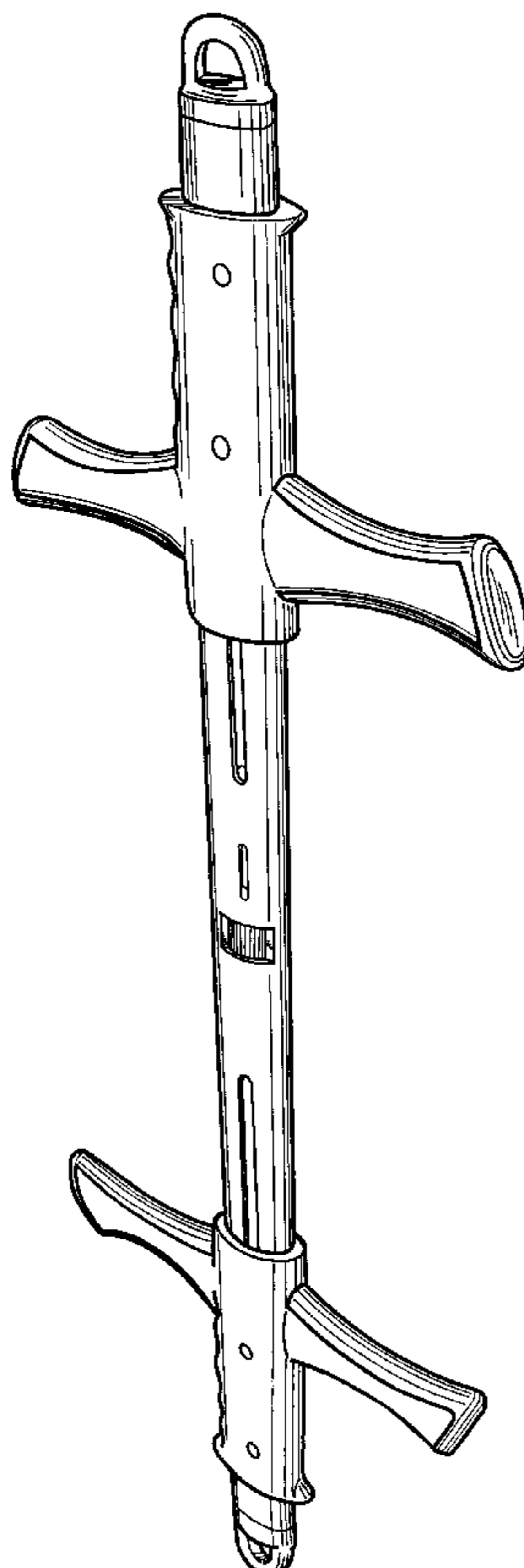
(58) **Field of Search** D21/662, 684, D21/692, 693, 679; 482/121, 122, 123, 124, 125, 126, 127, 128

(56) **References Cited**

U.S. PATENT DOCUMENTS

- 5,046,726 A * 9/1991 Van Straaten 482/125
- 5,637,066 A * 6/1997 Chang 482/121
- 5,746,686 A * 5/1998 Berman et al. 482/122
- D403,163 S * 12/1998 Lipps D21/692
- D405,133 S * 2/1999 Morgan D21/662

1 Claim, 4 Drawing Sheets



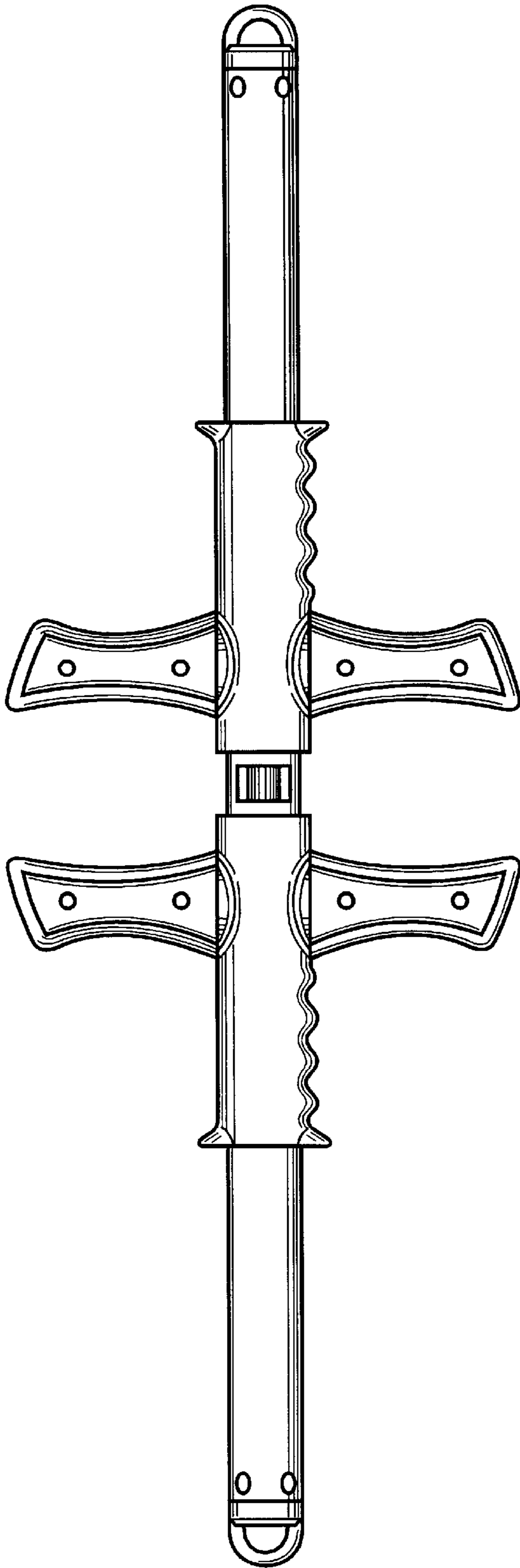


FIG. 1



FIG. 2



FIG. 3

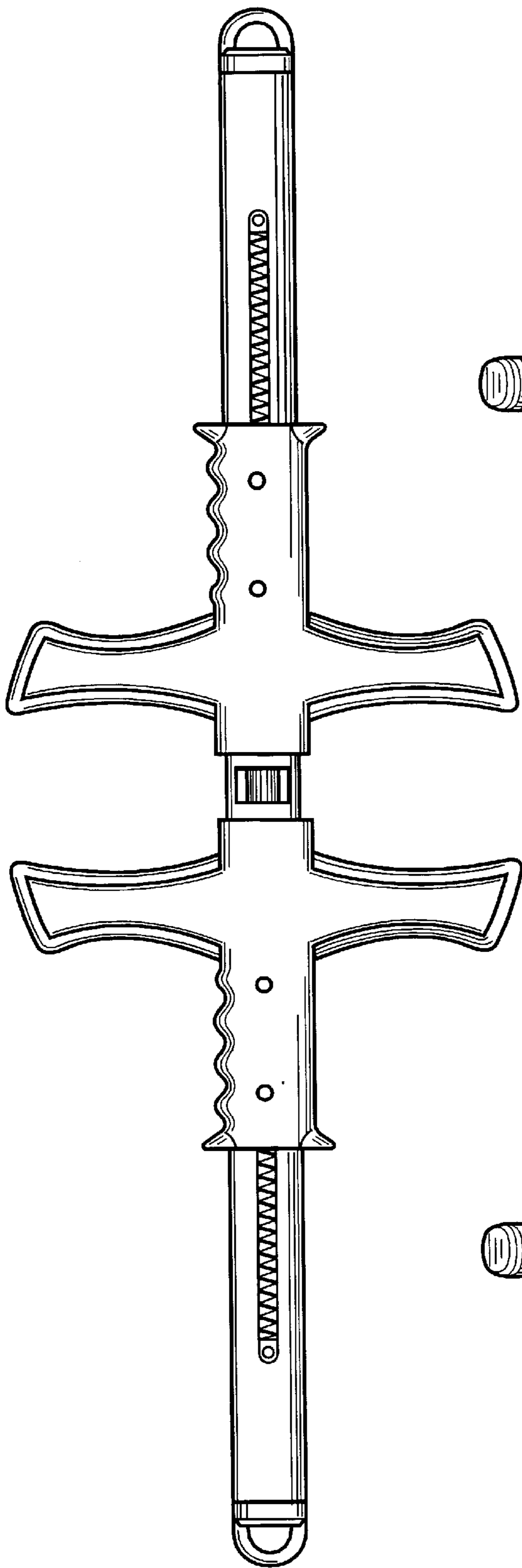


FIG. 4



FIG. 5



FIG. 6

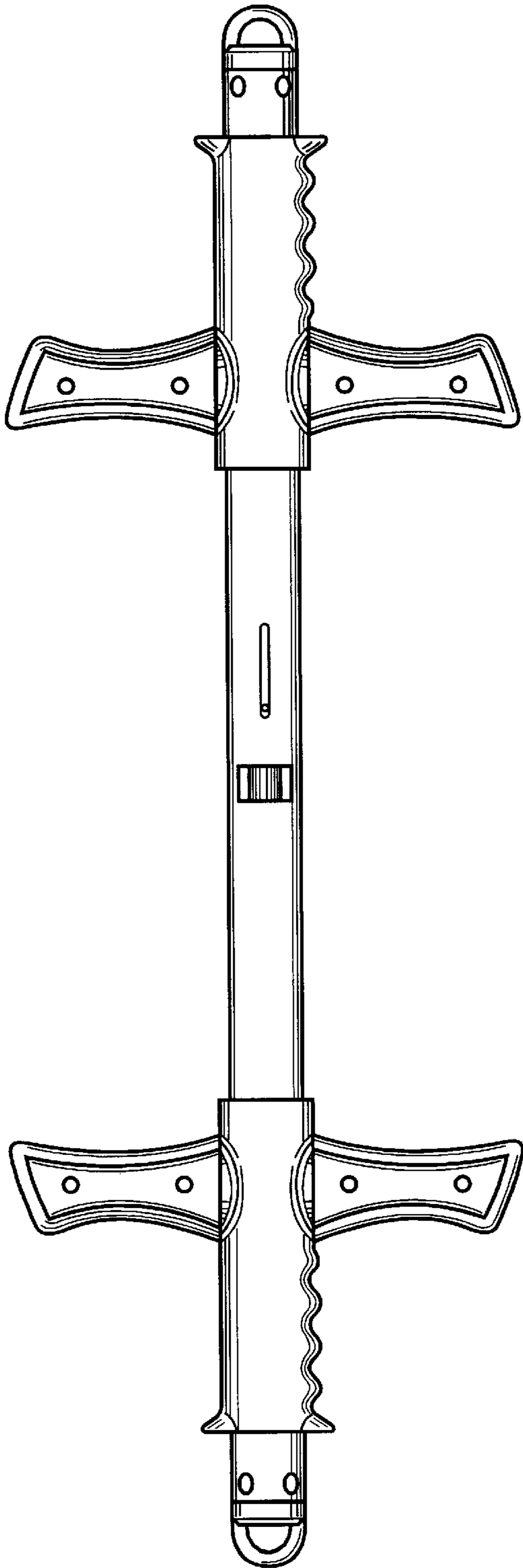


FIG. 7

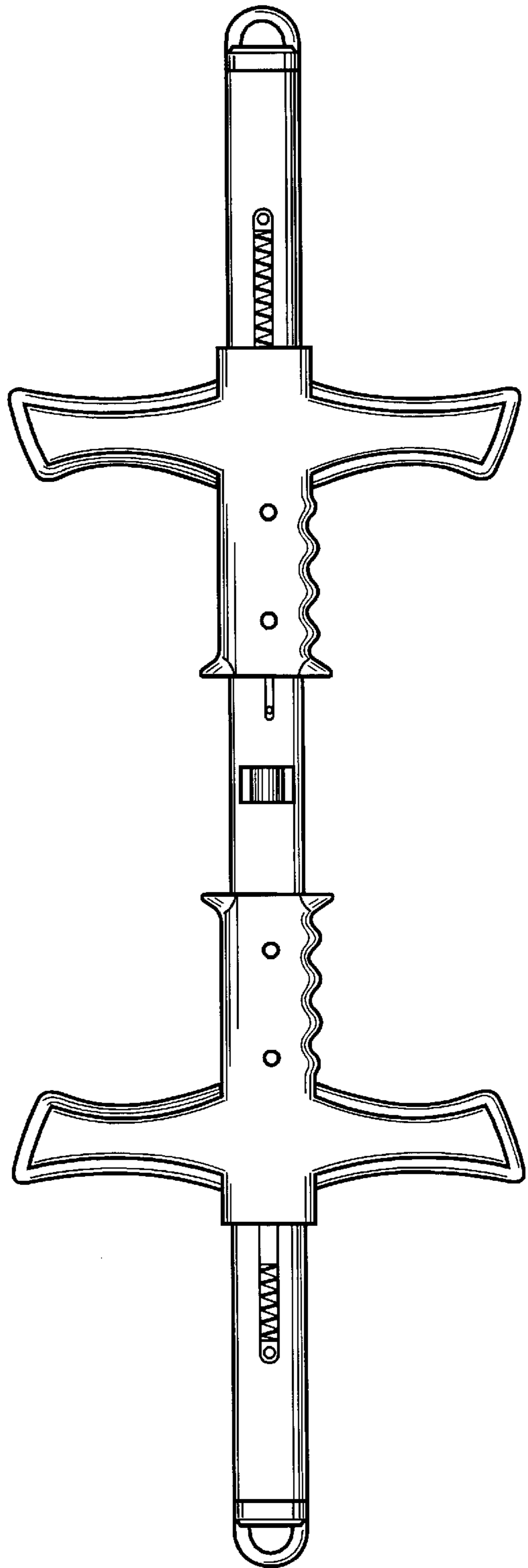


FIG. 8

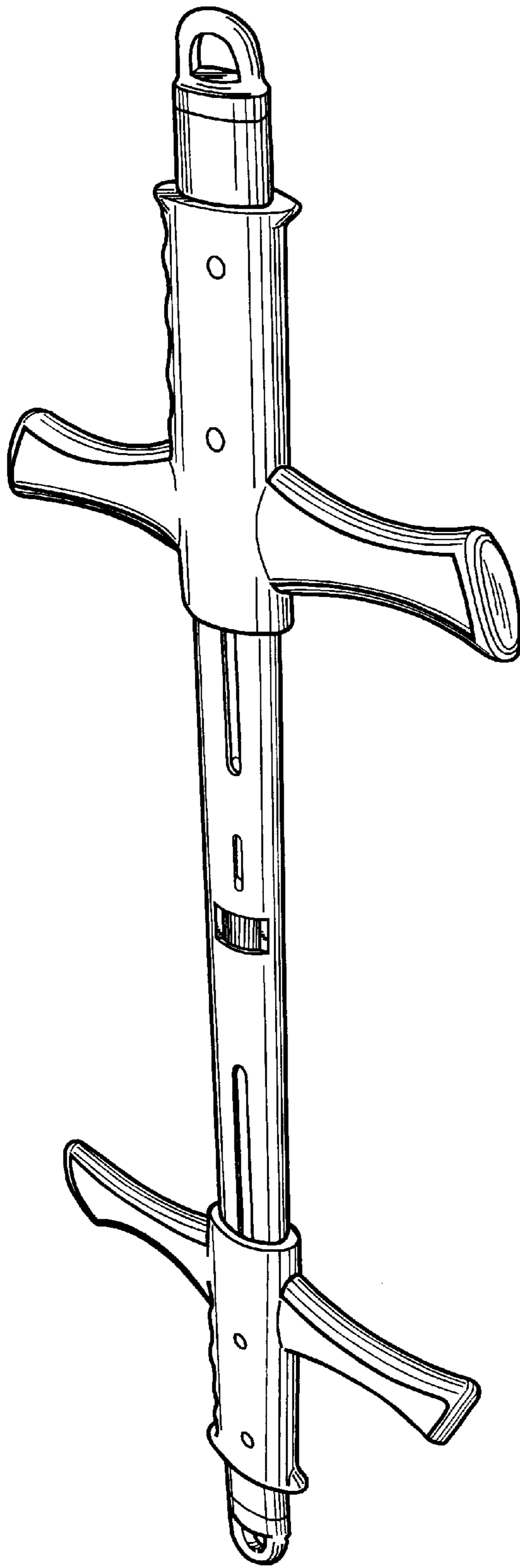


FIG. 9