



US00D460794S

(12) **United States Design Patent**
Baker

(10) **Patent No.: US D460,794 S**

(45) **Date of Patent: ** Jul. 23, 2002**

(54) **EXERCISE BICYCLE FRAME**

(75) Inventor: **William A. Baker**, Longmont, CO (US)

(73) Assignee: **Nautilus, Inc.**, Boulder, CO (US)

(**) Term: **14 Years**

(21) Appl. No.: **29/135,826**

(22) Filed: **Jan. 19, 2001**

(51) **LOC (7) Cl. 21-02**

(52) **U.S. Cl. D21/667; D21/697**

(58) **Field of Search D21/663, 664,
D21/665, 667, 668, 697; 482/51, 57, 64,
63**

(56) **References Cited**

U.S. PATENT DOCUMENTS

| | | | |
|-------------|-----------|------------------|----------|
| 562,198 A | 6/1896 | Robinson | 482/52 |
| 588,166 A | 8/1897 | McCoy | 74/551.1 |
| 633,534 A | 9/1899 | Read | 280/261 |
| 635,082 A | 10/1899 | Stiles | 280/261 |
| 671,785 A | 4/1901 | Young et al. | 482/57 |
| 1,336,774 A | 4/1920 | Cooper | 482/57 |
| 1,507,554 A | 9/1924 | Cooper | 482/57 |
| 1,636,327 A | 7/1927 | Roe | 424/144 |
| 3,062,204 A | 11/1962 | Stefano | 128/25 |
| 3,511,097 A | 5/1970 | Corwin | 73/379 |
| D251,747 S | 5/1979 | Valentine et al. | D21/194 |
| 4,188,030 A | 2/1980 | Hooper | 272/73 |
| D280,117 S | 8/1985 | Collins | D21/194 |
| D280,118 S | 8/1985 | Collins | D21/194 |
| 4,577,860 A | 3/1986 | Matias | 272/73 |
| D284,596 S | 7/1986 | McNeil | D21/194 |
| D285,953 S | * 9/1986 | Gustafsson | D21/667 |
| 4,632,386 A | 12/1986 | Beech | 272/73 |
| D289,782 S | 5/1987 | Szymiski et al. | D21/194 |
| D291,462 S | * 8/1987 | Aalto | D21/667 |
| D291,713 S | * 9/1987 | Kiiski | D21/667 |
| D292,225 S | * 10/1987 | Breger | D21/667 |
| D292,304 S | 10/1987 | Ostrom | D21/194 |
| D296,457 S | * 6/1988 | Anitua | D21/667 |
| 4,768,777 A | 9/1988 | Yang | 272/73 |
| 4,772,069 A | 9/1988 | Szymiski | 297/195 |
| D299,732 S | * 2/1989 | Gustaffson | D21/667 |

(List continued on next page.)

OTHER PUBLICATIONS

Catalog: "Schwinn® Fitness Equipment", available as early as 1985.

Catalog: "Schwinn® Fitness Catalog", available as early as 1987.

Catalog: "Schwinn '88 Lightweight Bicycles", available as early as 1988.

Catalog: "1990 Schwinn Full-Line Fitness Catalog", 1990.

Catalog, "Schwinn Fitness", available as early as 1991.

Catalog: "The 1993 Schwinn Fitness Line", available as early as 1993.

Catalog: "93 New Bikes. New Thinking", available as early as 1993.

Catalog: "Schwinn Fitness Equipment a change of shape", available as early as 1995.

Catalog: "Discover the Power Inside™, Schwinn 1995 fitness equipment", available as early as 1995.

Catalog: "LeMond™ RevMaster™", available as early as 2000.

Catalog: "Schwinn Fitness Equipment", date unknown.

Advertisement: aerobika; "Giugiaro Tresbispin 'Safety'" Apr. 23, 1998.

Picture: Reebok Studio Cycle; Date Unknown.

Brochure: Nowadays ApS; "Spinning , Total Conditioning for the Body and the Soul;," Date Unknown.

Primary Examiner—Philip S. Hyder

(74) *Attorney, Agent, or Firm*—Dorsey & Whitney LLP

(57) **CLAIM**

The ornamental design for an exercise bicycle frame, as shown and described.

DESCRIPTION

FIG. 1 is a perspective view of the exercise bicycle frame of the present invention.

FIG. 2 is a front elevation view thereof;

FIG. 3 is a rear elevation view thereof;

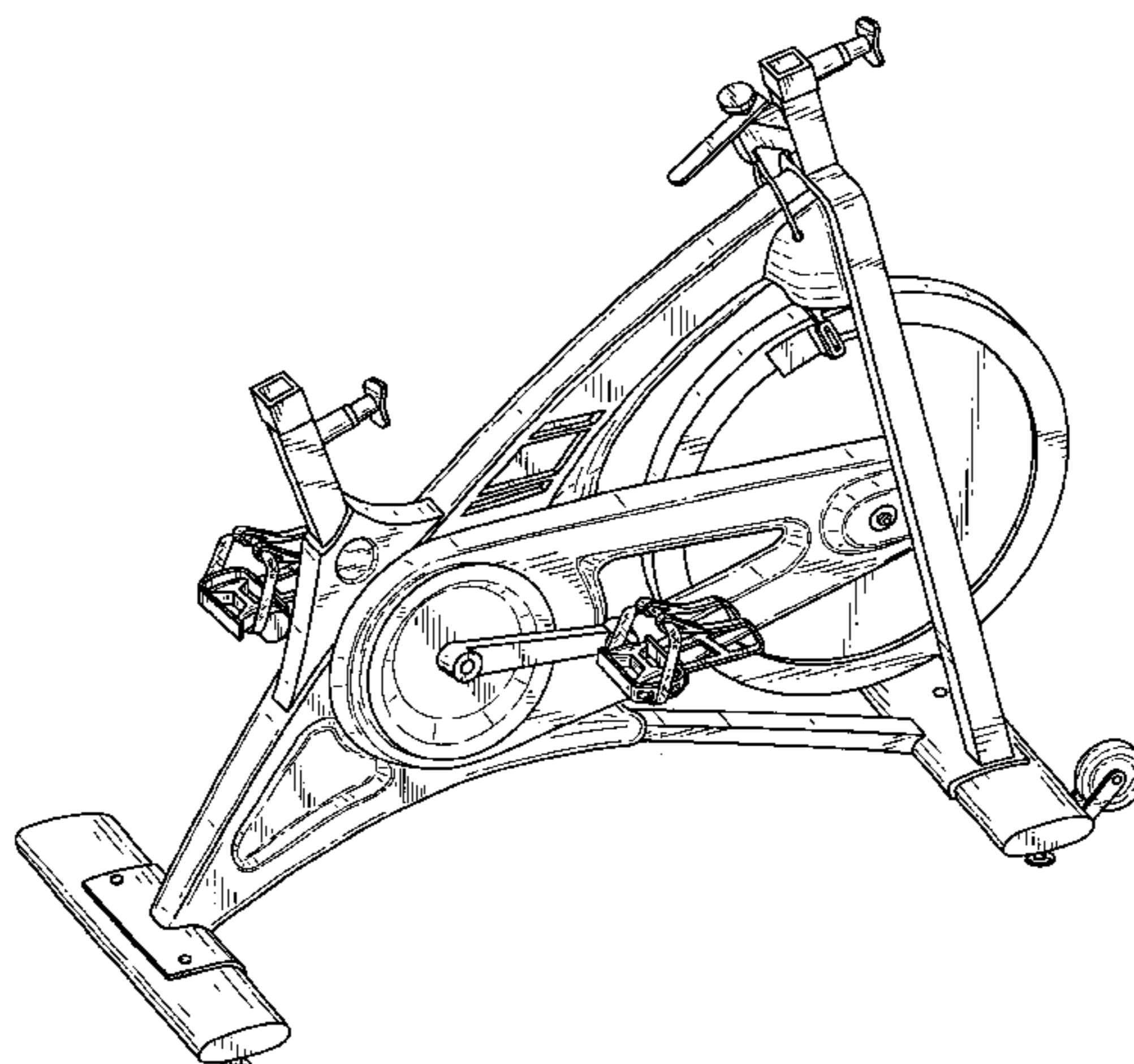
FIG. 4 is a right elevation view thereof;

FIG. 5 is a left elevation view thereof;

FIG. 6 is a top plan view thereof; and,

FIG. 7 is a bottom plan view thereof.

1 Claim, 4 Drawing Sheets



US D460,794 S

Page 2

U.S. PATENT DOCUMENTS

4,824,102 A 4/1989 Lo 272/73
4,880,225 A 11/1989 Lucas et al. 272/73
4,902,001 A 2/1990 Balbo 272/73
4,915,374 A 4/1990 Watkins 272/73
4,936,570 A 6/1990 Szymiski et al. 272/73
5,000,469 A 3/1991 Smith 280/261
5,145,477 A 9/1992 Han 482/57
5,232,422 A 8/1993 Bishop, Jr. 482/57
5,336,147 A 8/1994 Sweeney, III 482/57
5,423,728 A 6/1995 Goldberg 482/57

D368,678 S 4/1996 Wilcox et al. D12/111
D372,284 S * 7/1996 Wang et al. D21/667
D380,796 S * 7/1997 Wang et al. D21/667
D382,924 S * 8/1997 Wu D21/667
D382,925 S * 8/1997 Wu D21/667
5,685,553 A 11/1997 Wilcox et al. 280/283
5,722,916 A 3/1998 Goldberg 482/57
D407,767 S 4/1999 Chang D21/663
6,155,958 A 12/2000 Goldberg 482/57

Brochure: Schwinn Cycling & Fitness Inc., "Johnny G. Spinner, by Schwinn. Go Fast standing still," 1995, 4 pages.

* cited by examiner

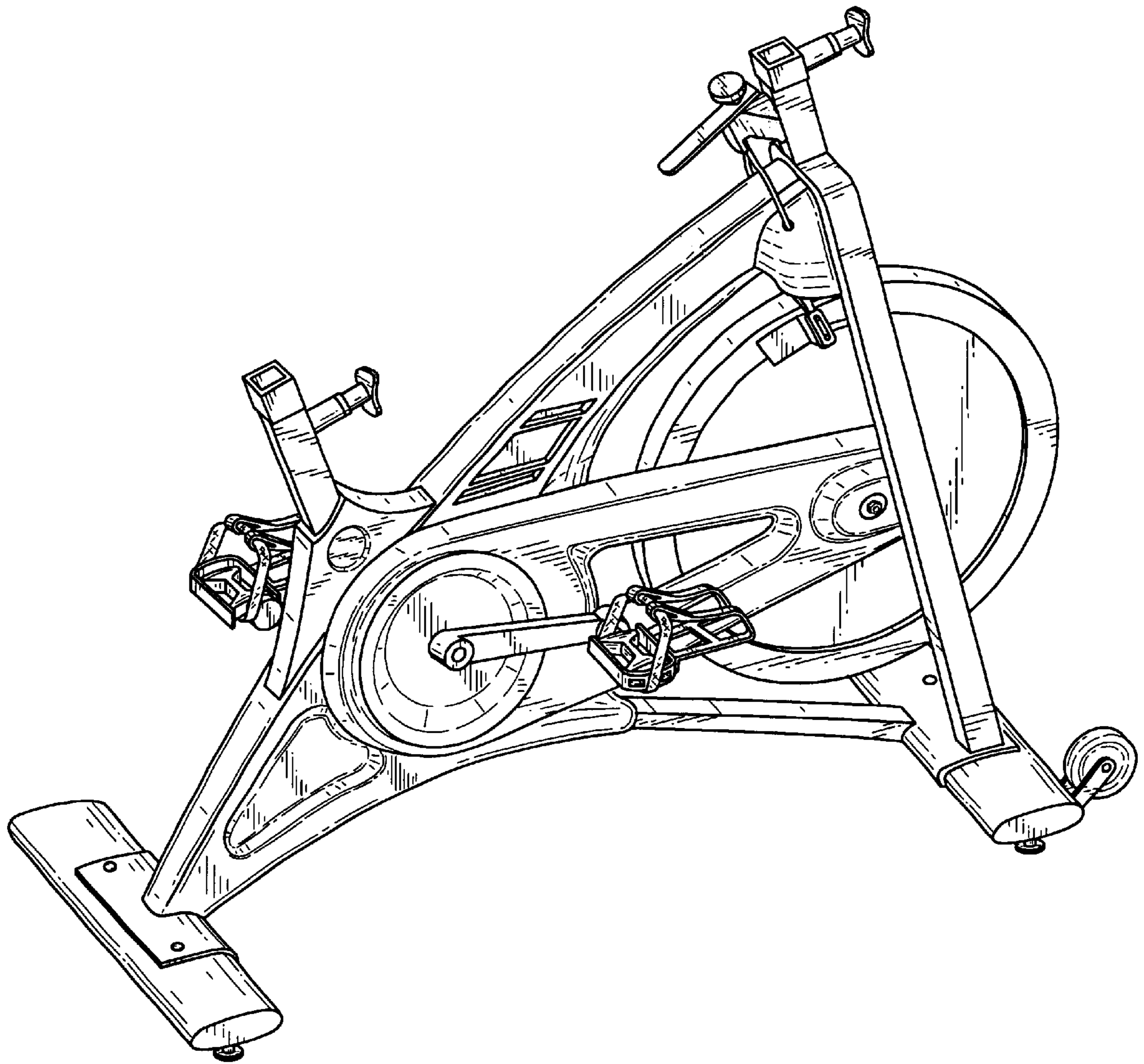


FIG. 1

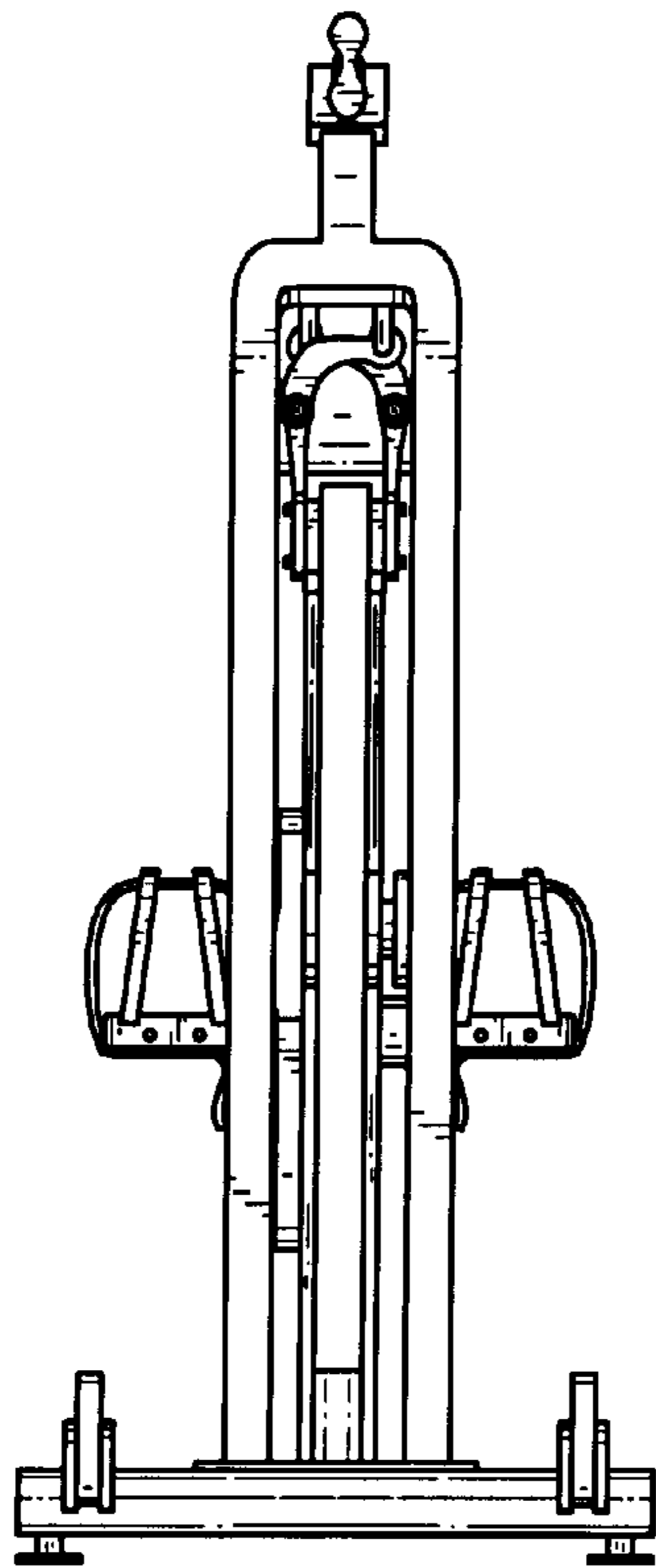


FIG. 2

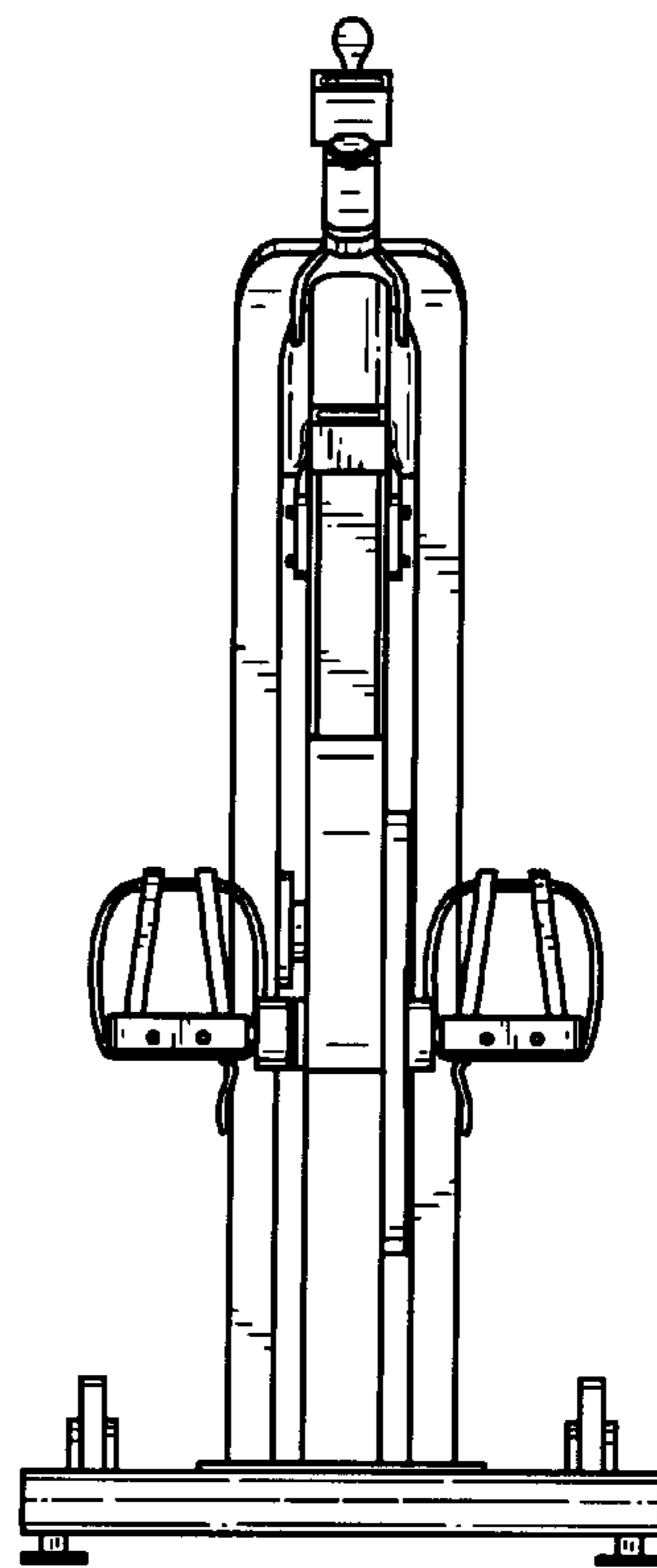


FIG. 3

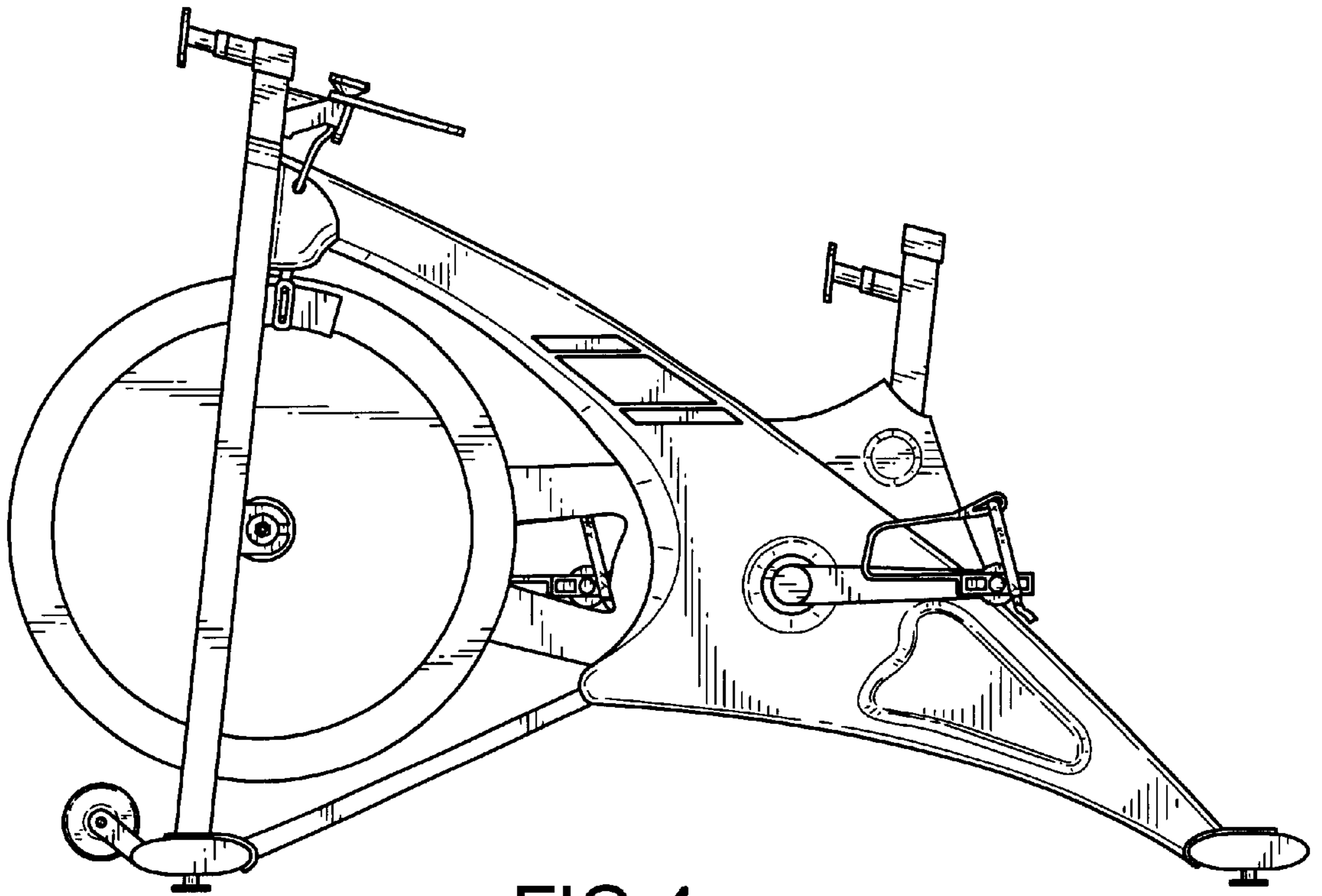


FIG. 4

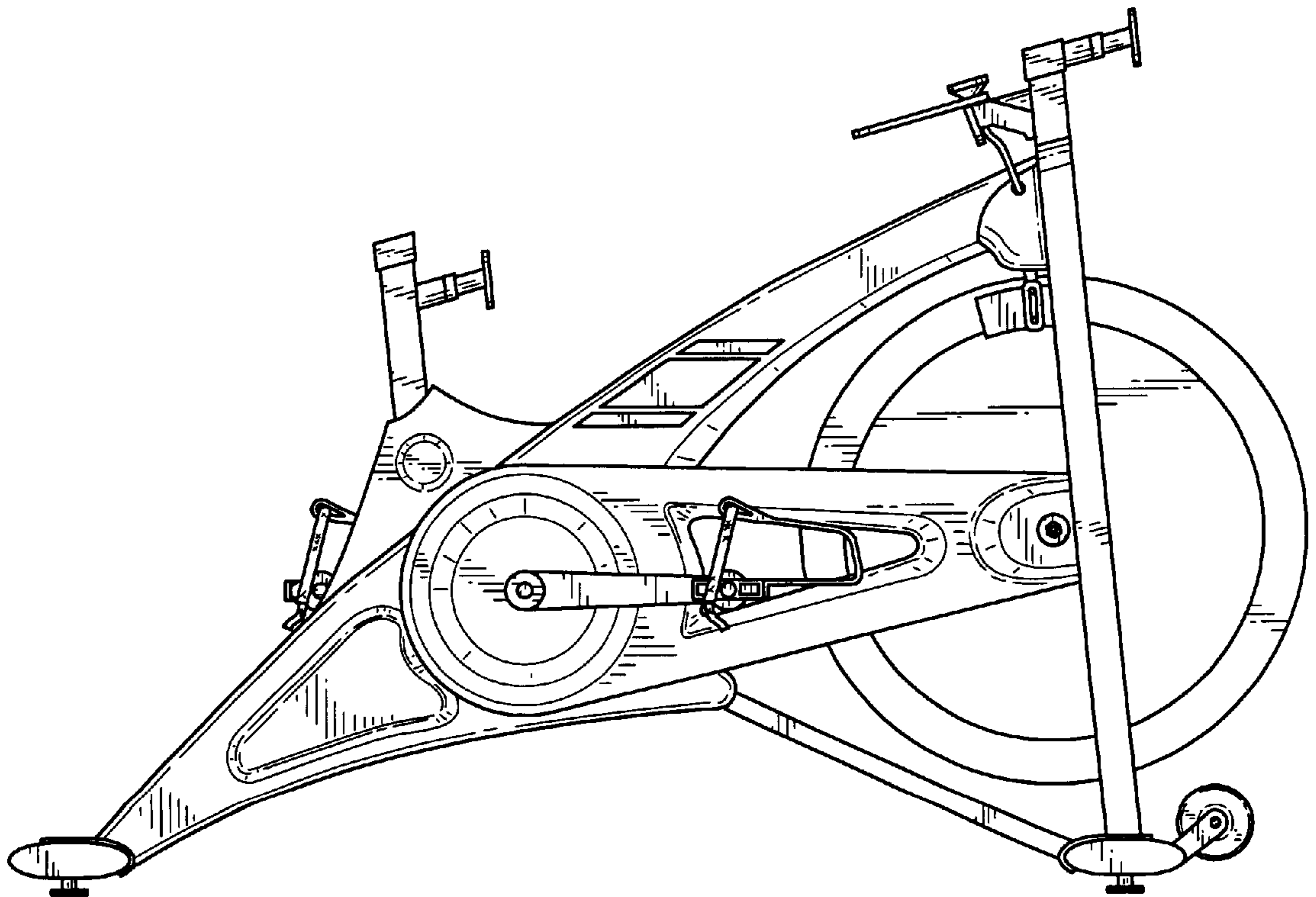


FIG. 5

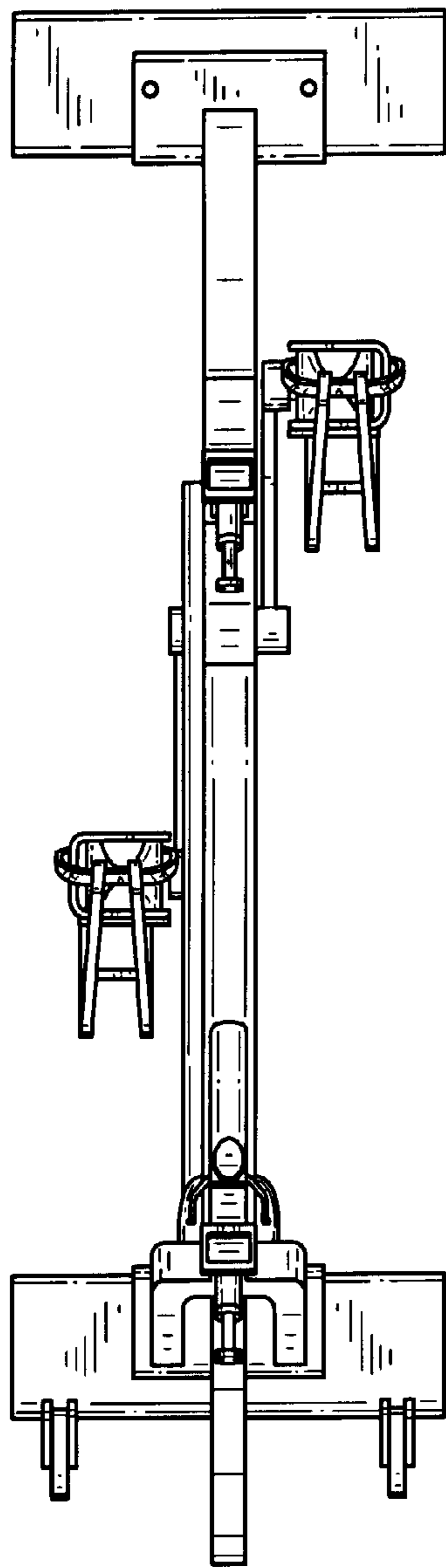


FIG. 6

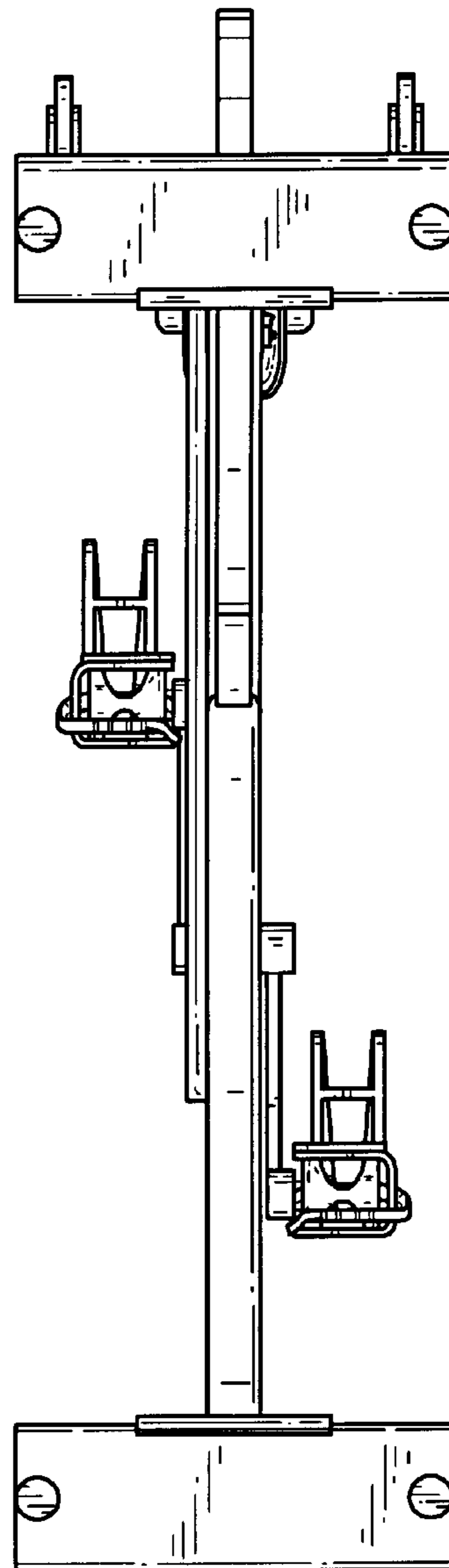


FIG. 7