



US00D460792S

(12) **United States Design Patent**
Lee

(10) **Patent No.:** **US D460,792 S**

(45) **Date of Patent:** **** Jul. 23, 2002**

(54) **TOY FIREARM**

(75) Inventor: **Chung-Hon Lee**, Kowloon (HK)

(73) Assignee: **Victory International Manufactory Ltd.**, Hong Kong (HK)

(**) Term: **14 Years**

(21) Appl. No.: **29/142,201**

(22) Filed: **May 22, 2001**

(51) **LOC (7) Cl.** **21-01**

(52) **U.S. Cl.** **D21/573**

(58) **Field of Search** D21/567-575;
D14/418; D22/103; 446/473, 475, 406,
267, 180, 219, 430; 124/16, 22, 73-76,
83-85; 222/78, 79; 42/54, 55

(56) **References Cited**

U.S. PATENT DOCUMENTS

3,346,984	A	*	10/1967	Lohr	42/55
D283,525	S	*	4/1986	Yano	D21/573
4,630,757	A	*	12/1986	Yano	222/79
D303,820	S	*	10/1989	Wong	D21/574
5,004,444	A	*	4/1991	Chih	446/473
5,389,027	A	*	2/1995	Kantor	446/473
D374,463	S	*	10/1996	Butler	D14/418

OTHER PUBLICATIONS

Hong Kong Toys, p 265, Feb. 1997.*

* cited by examiner

Primary Examiner—Raphael Barkai

(74) *Attorney, Agent, or Firm*—Burns, Doane, Swecker & Mathis, L.L.P.

(57) **CLAIM**

The ornamental design for a “toy firearm”, as shown and described.

DESCRIPTION

FIG. 1 is a front view of a “toy firearm” showing my new design;

FIG. 2 is a rear view thereof;

FIG. 3 is a left side view thereof;

FIG. 4 is a right side view thereof in an alternate configuration, with the cartridge removed;

FIG. 5 is a top view thereof;

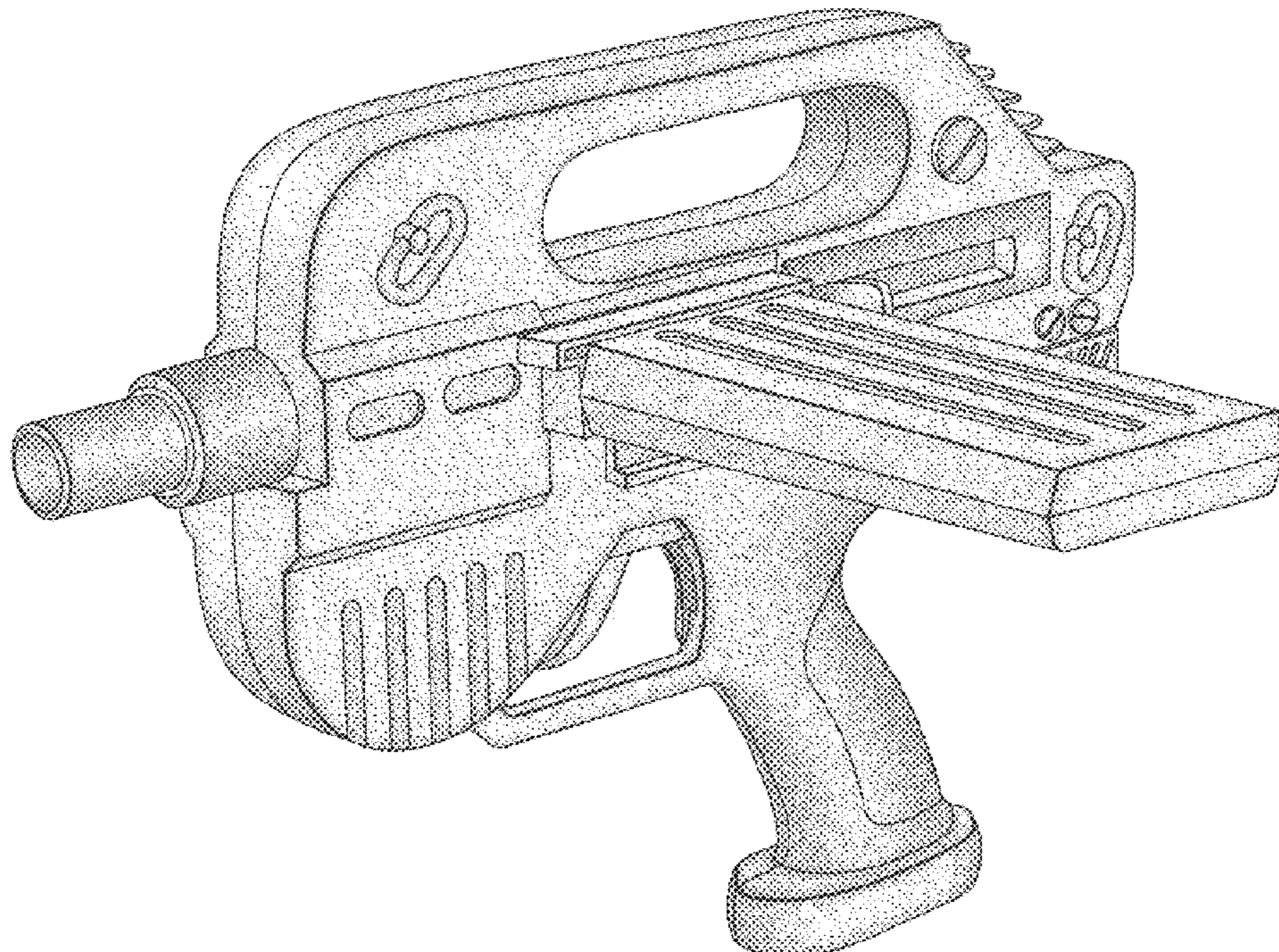
FIG. 6 is a bottom view thereof;

FIG. 7 is a perspective view thereof from the front, top and right sides;

FIG. 8 is a perspective view thereof from the front, top and left sides; and,

FIG. 9 is a perspective view thereof from the front, top and right sides in the alternative configuration with the cartridge removed.

1 Claim, 9 Drawing Sheets



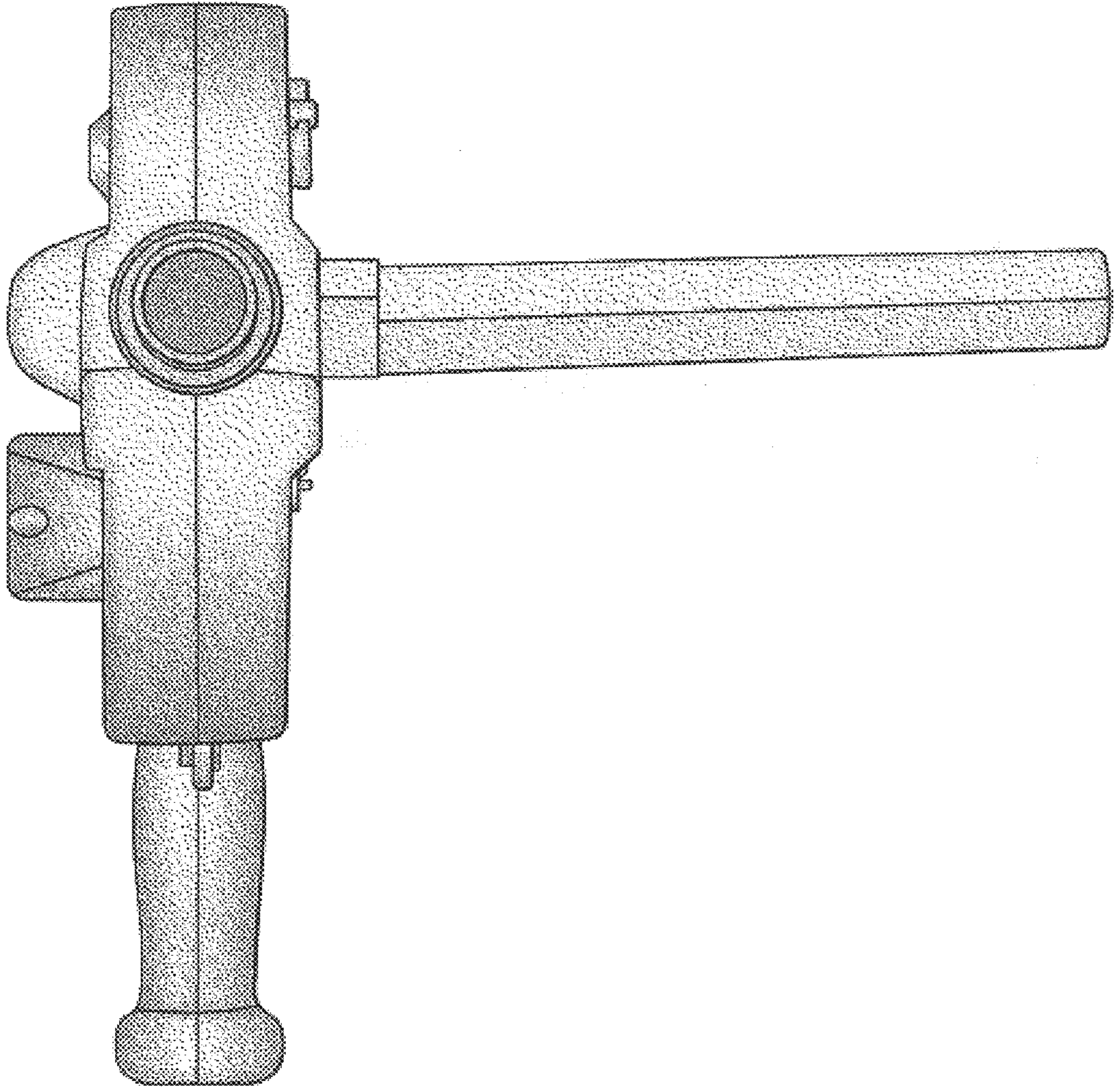


FIG. 1

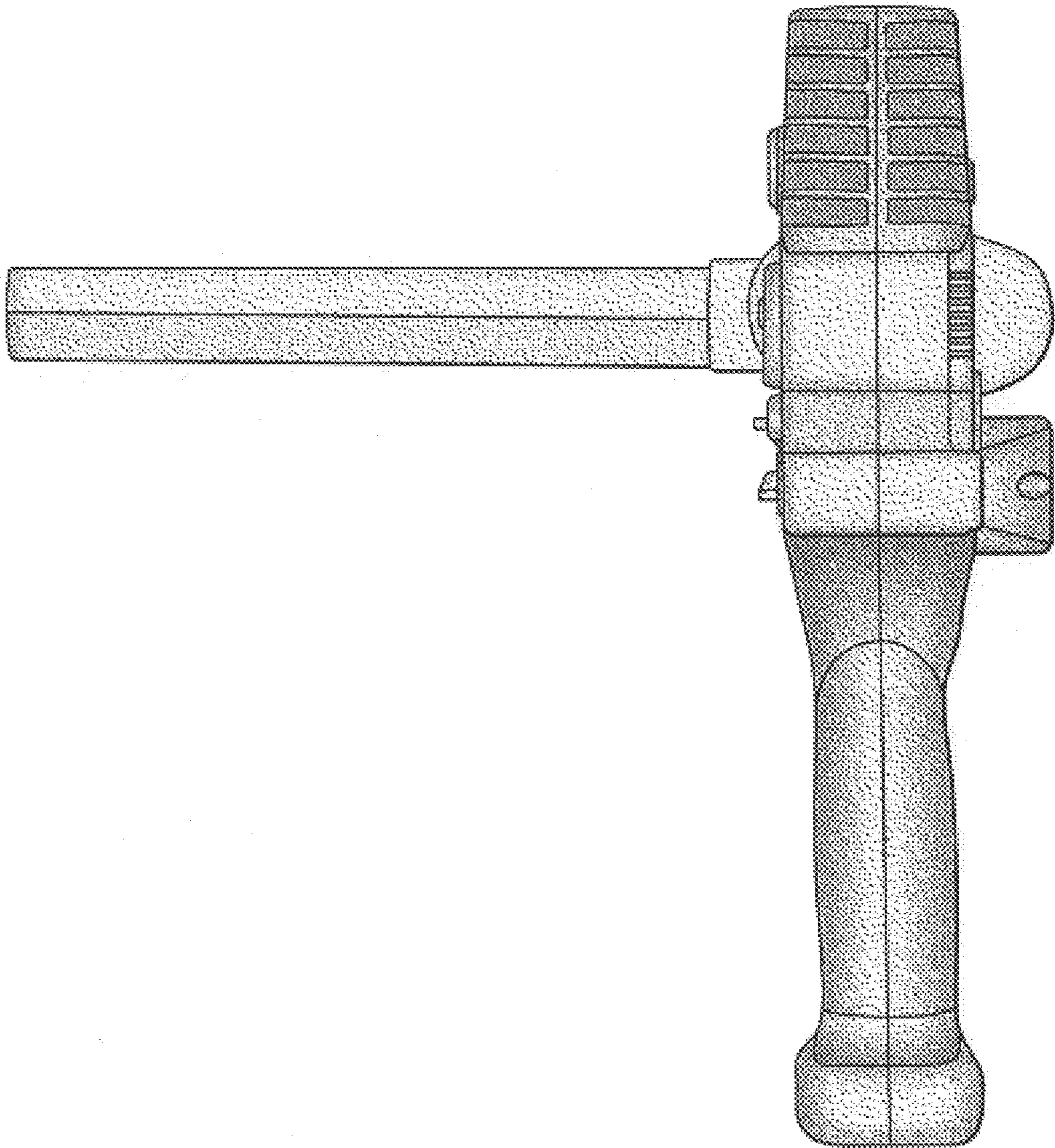


FIG. 2

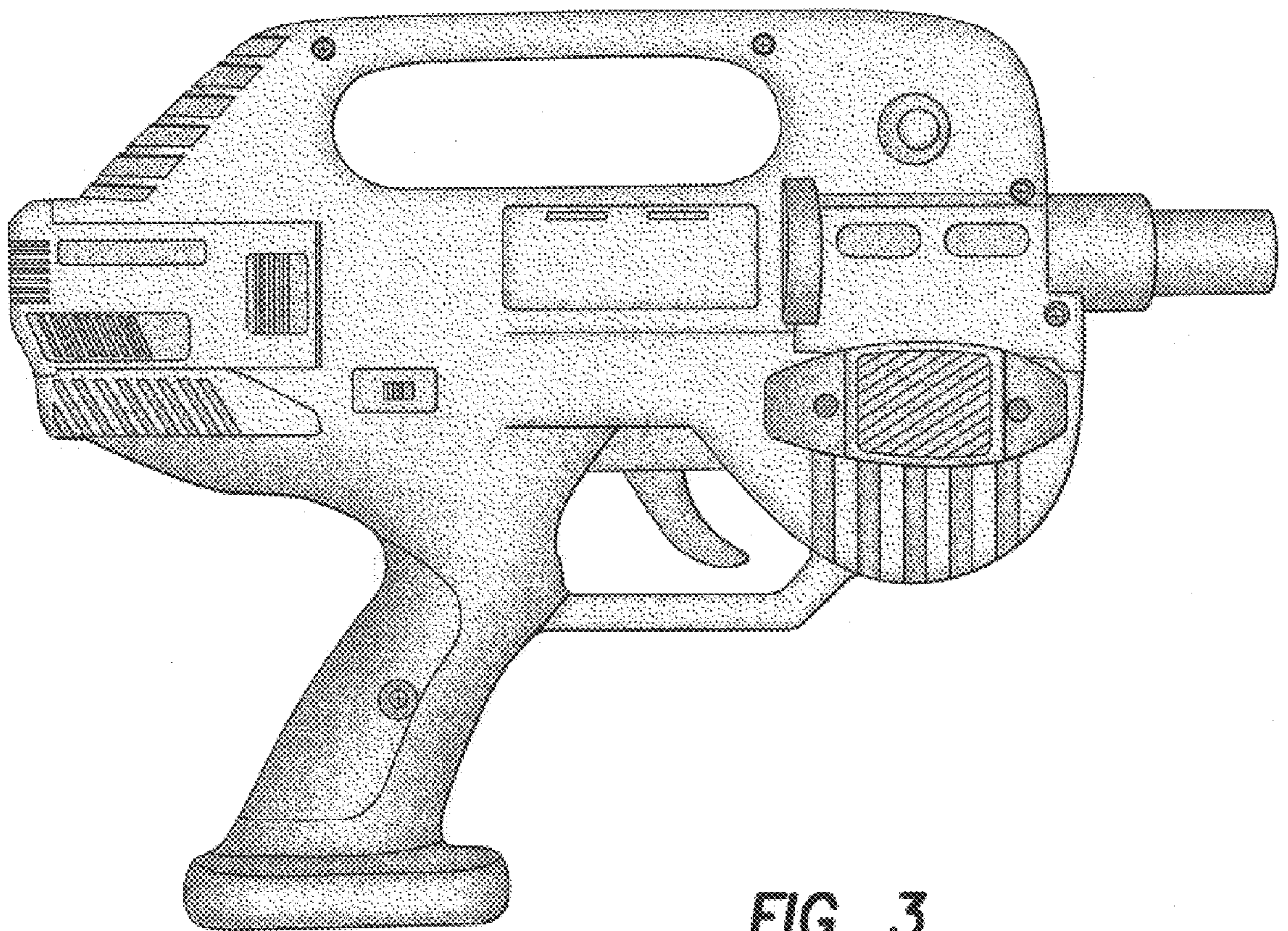


FIG. 3

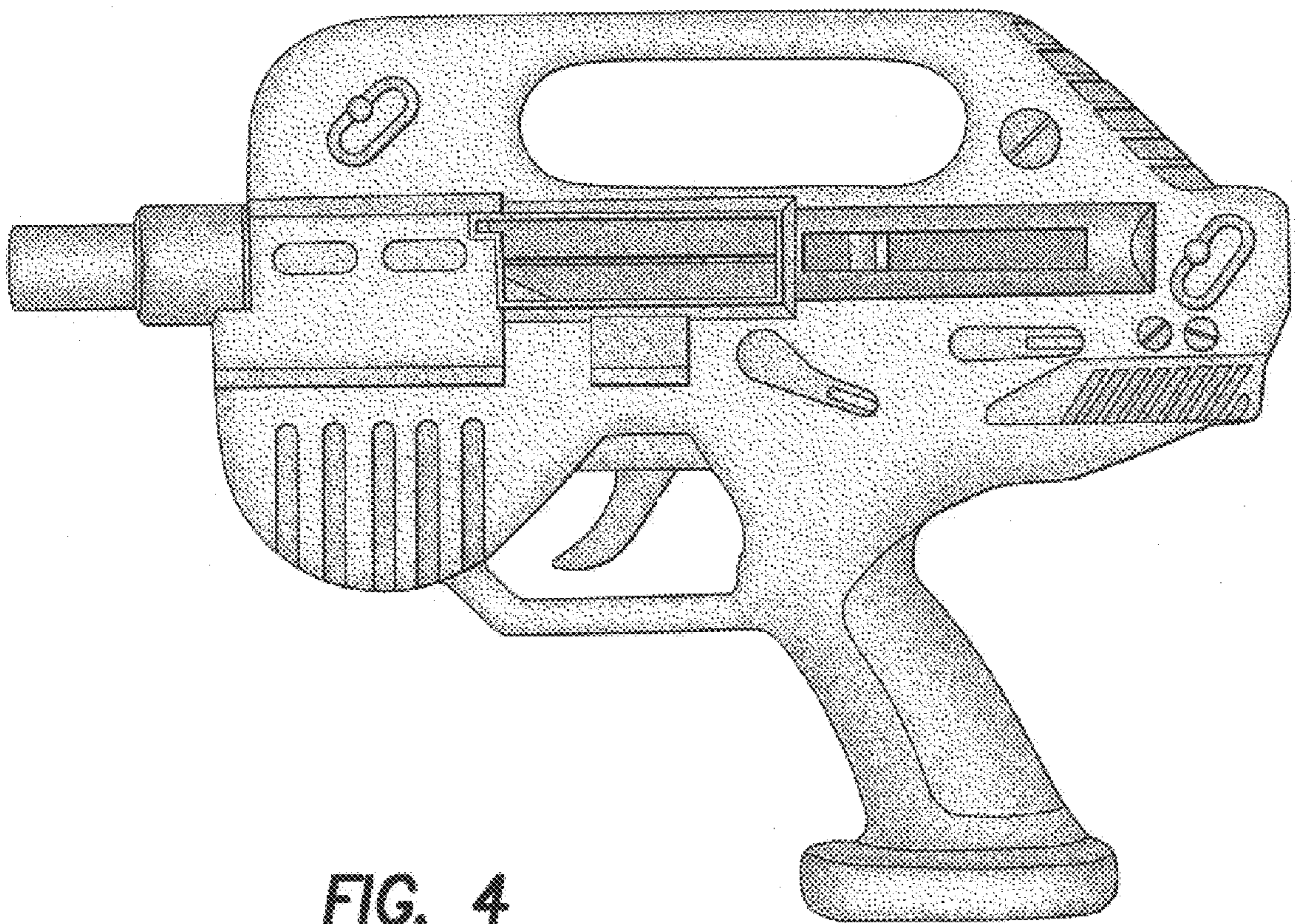


FIG. 4

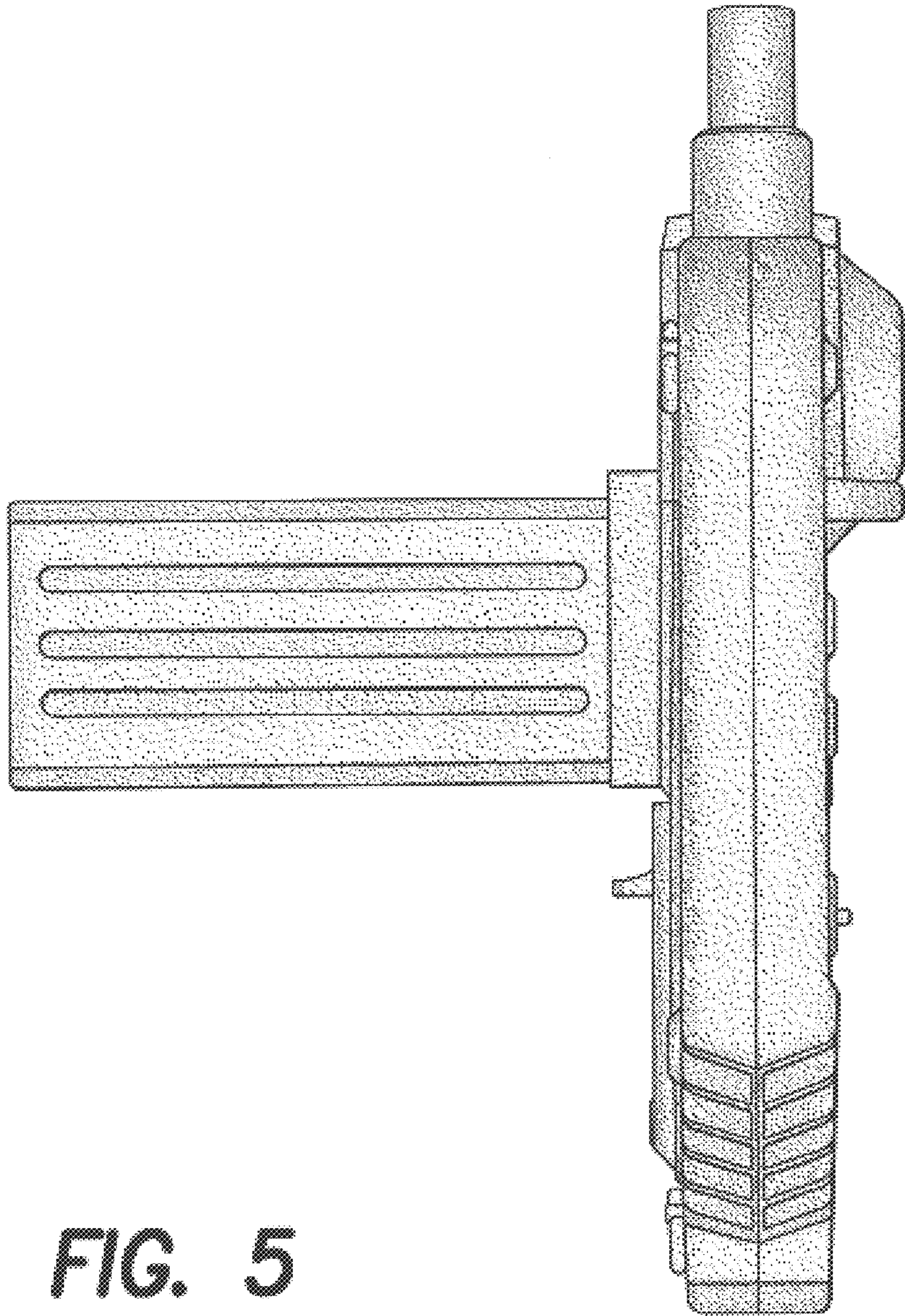


FIG. 5

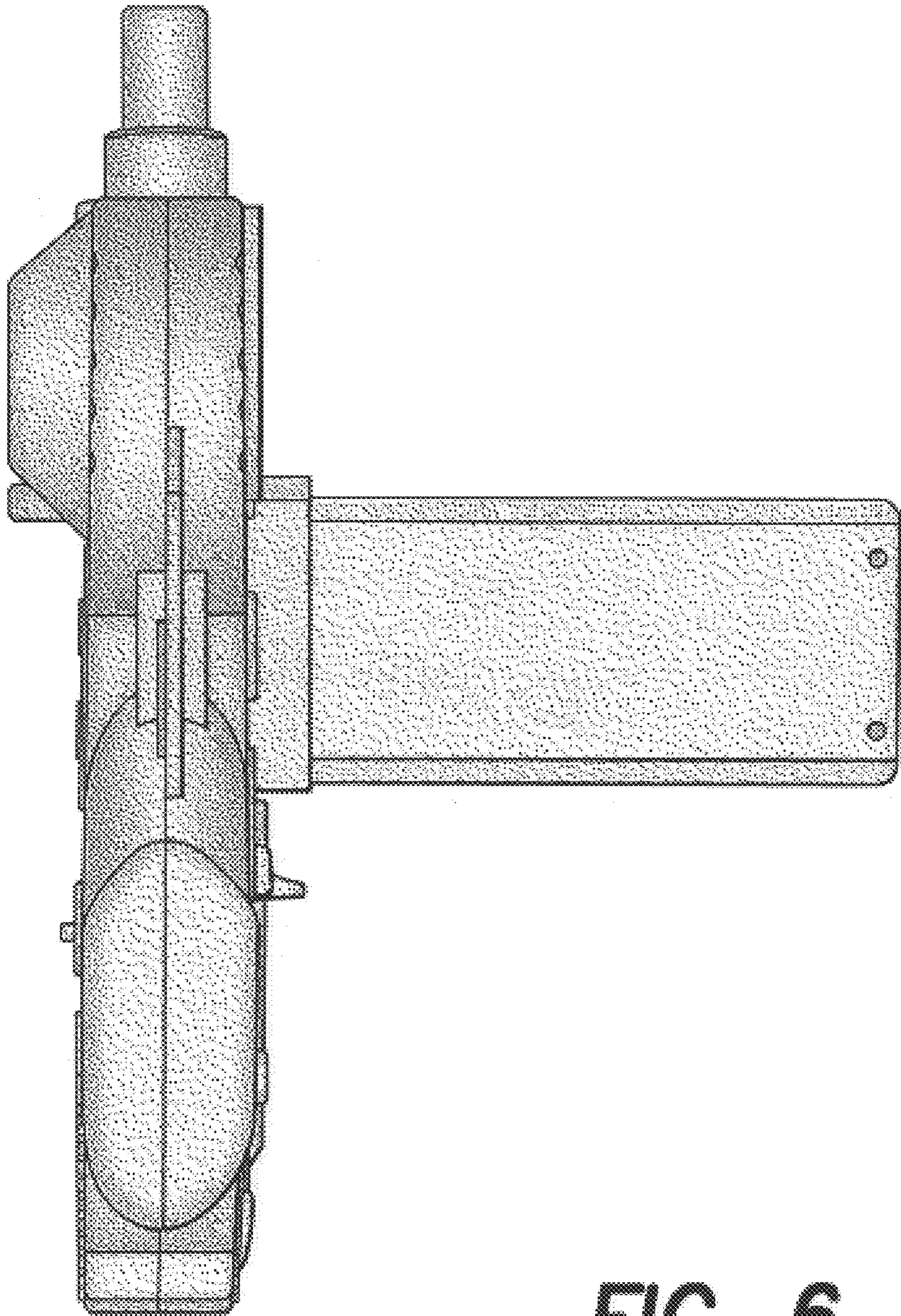


FIG. 6

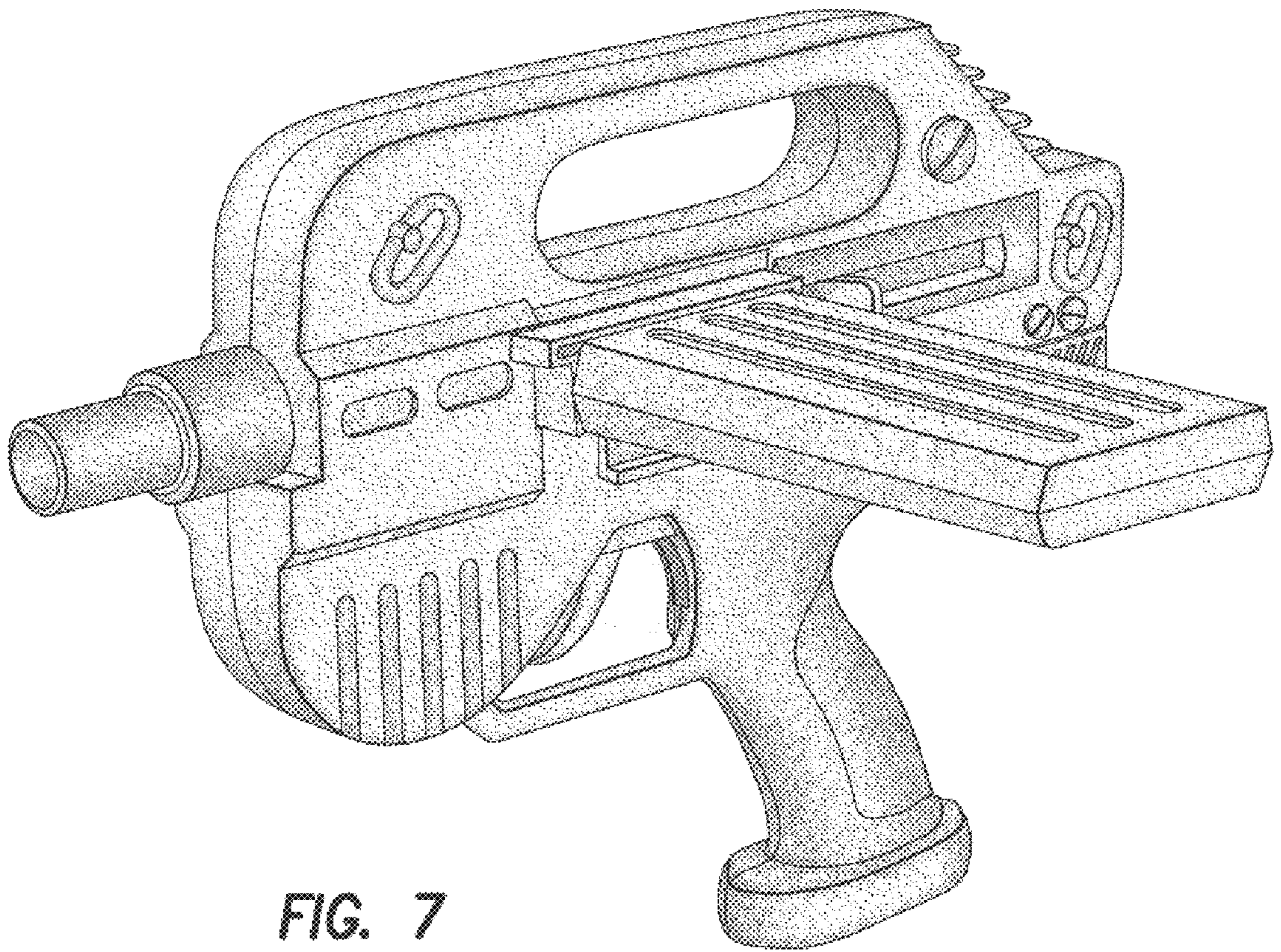


FIG. 7

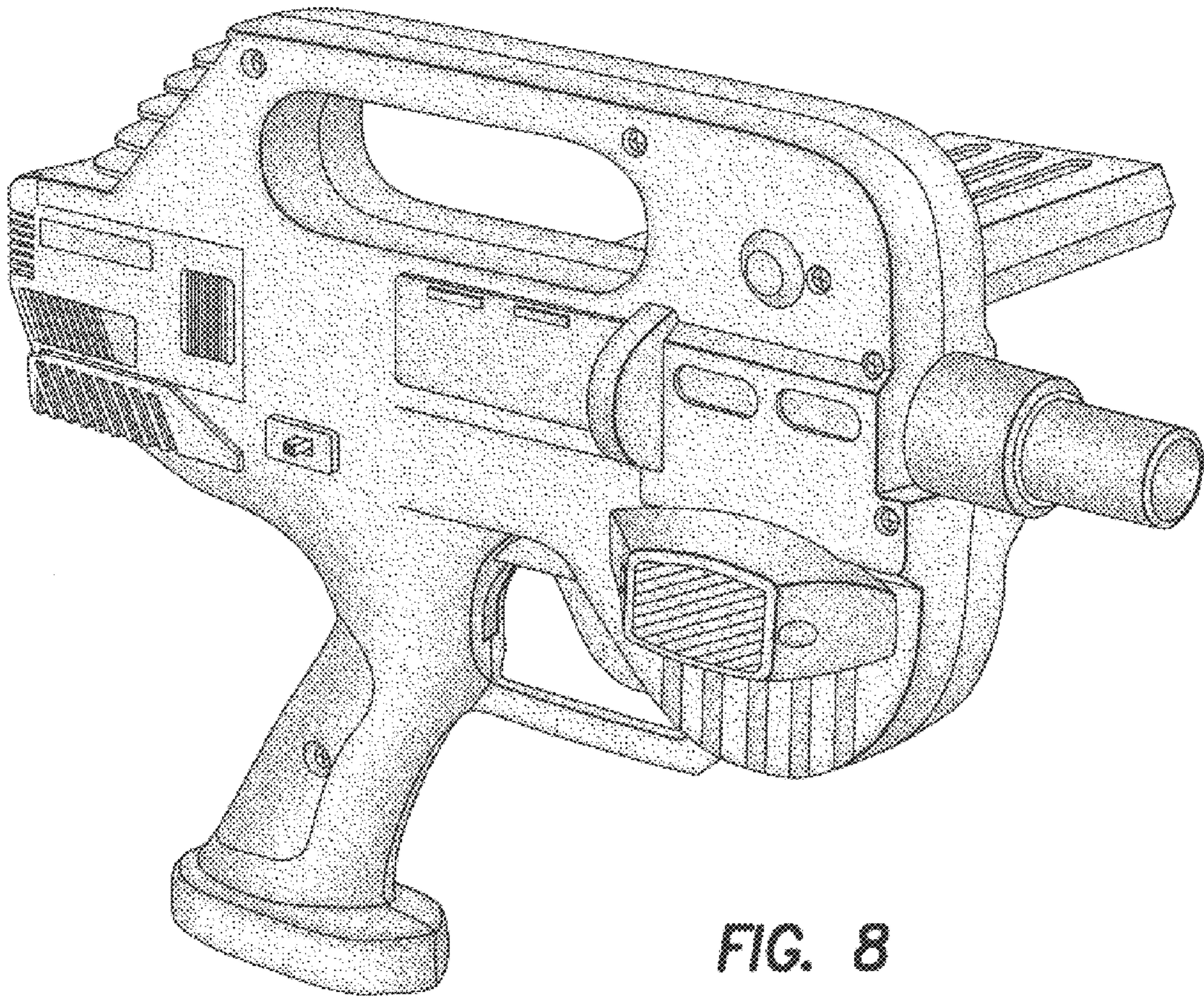


FIG. 8

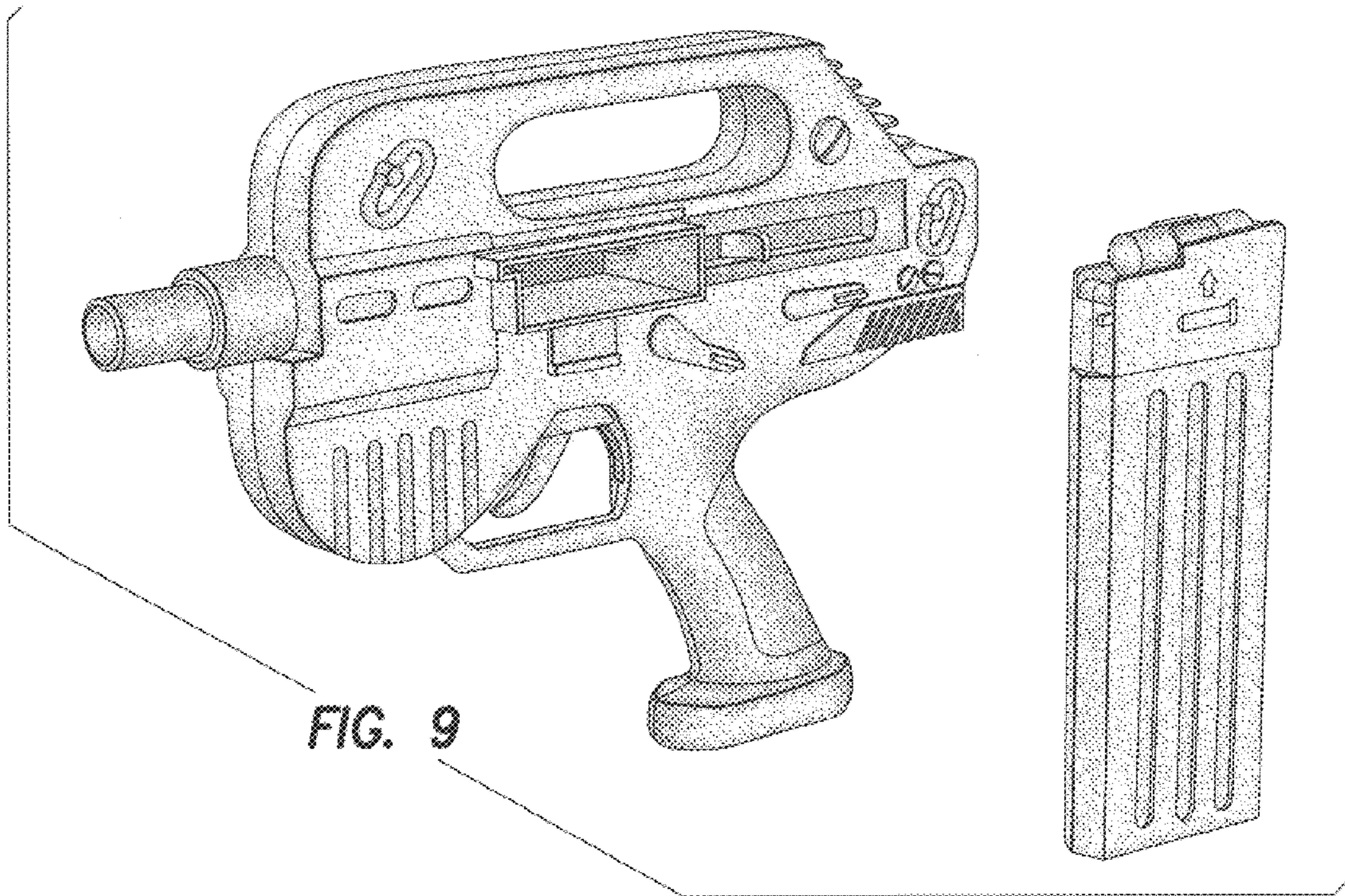


FIG. 9