



US00D460789S

(12) **United States Design Patent**
Wang

(10) **Patent No.:** **US D460,789 S**

(45) **Date of Patent:** **** Jul. 23, 2002**

(54) **KITE**

D432,187 S * 10/2000 Wang D21/445
D443,902 S * 6/2001 Wang D21/445

(75) Inventor: **Jung-Yuan (Jay) Wang**, Mississauga (CA)

* cited by examiner

(73) Assignee: **Itemax International, Inc.**, Mississauga (CA)

Primary Examiner—Dominic Simone
(74) *Attorney, Agent, or Firm*—Bereskin & Parr

(**) Term: **14 Years**

(57) **CLAIM**

The ornamental design for kite, as shown.

(21) Appl. No.: **29/142,773**

DESCRIPTION

(22) Filed: **Jun. 4, 2001**

(51) **LOC (7) Cl.** **21-02**

(52) **U.S. Cl.** **D21/446**

(58) **Field of Search** D21/443, 445, D21/446; 244/153 R, 154, 155, 153 A

FIG. 1 is a top, front isometric view of a kite showing my new design;
FIG. 2 is a right side elevational view thereof;
FIG. 3 is a left side elevational view thereof;
FIG. 4 is a front elevational view thereof;
FIG. 5 is a rear elevational view thereof;
FIG. 6 is a top plan view thereof; and,
FIG. 7 is a bottom plan view thereof.

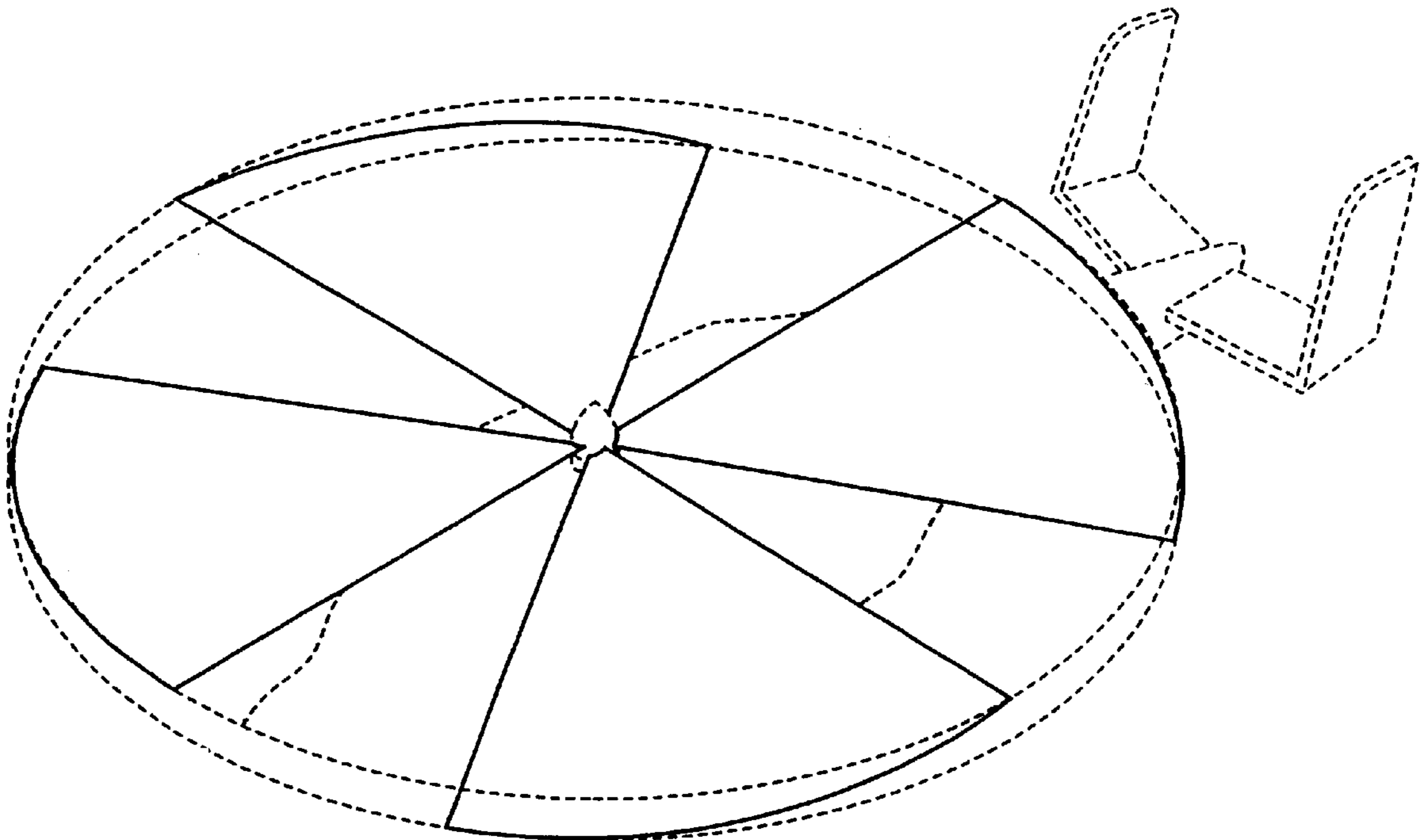
(56) **References Cited**

U.S. PATENT DOCUMENTS

1,546,099 A	7/1925	Meyers	
2,124,992 A	7/1938	Wood	244/154
D168,383 S	* 12/1952	Smith	D21/445
D223,716 S	* 5/1972	Choong	D21/445
D407,126 S	* 3/1999	Wang	D21/445
D428,071 S	* 7/2000	Wang	D21/453
D428,072 S	* 7/2000	Wang	D21/453
D428,451 S	* 7/2000	Wang	D21/453

The portion of the kite shown in single broken lines is for environment only and forms no part of the claimed design. The portion of the kite shown in single dashed lines is for environment only, and forms no part of the claimed design. The portion of the kite shown in phantom (i.e. double dashed) lines in FIG. 1 and 7 is part of the claimed design.

1 Claim, 5 Drawing Sheets



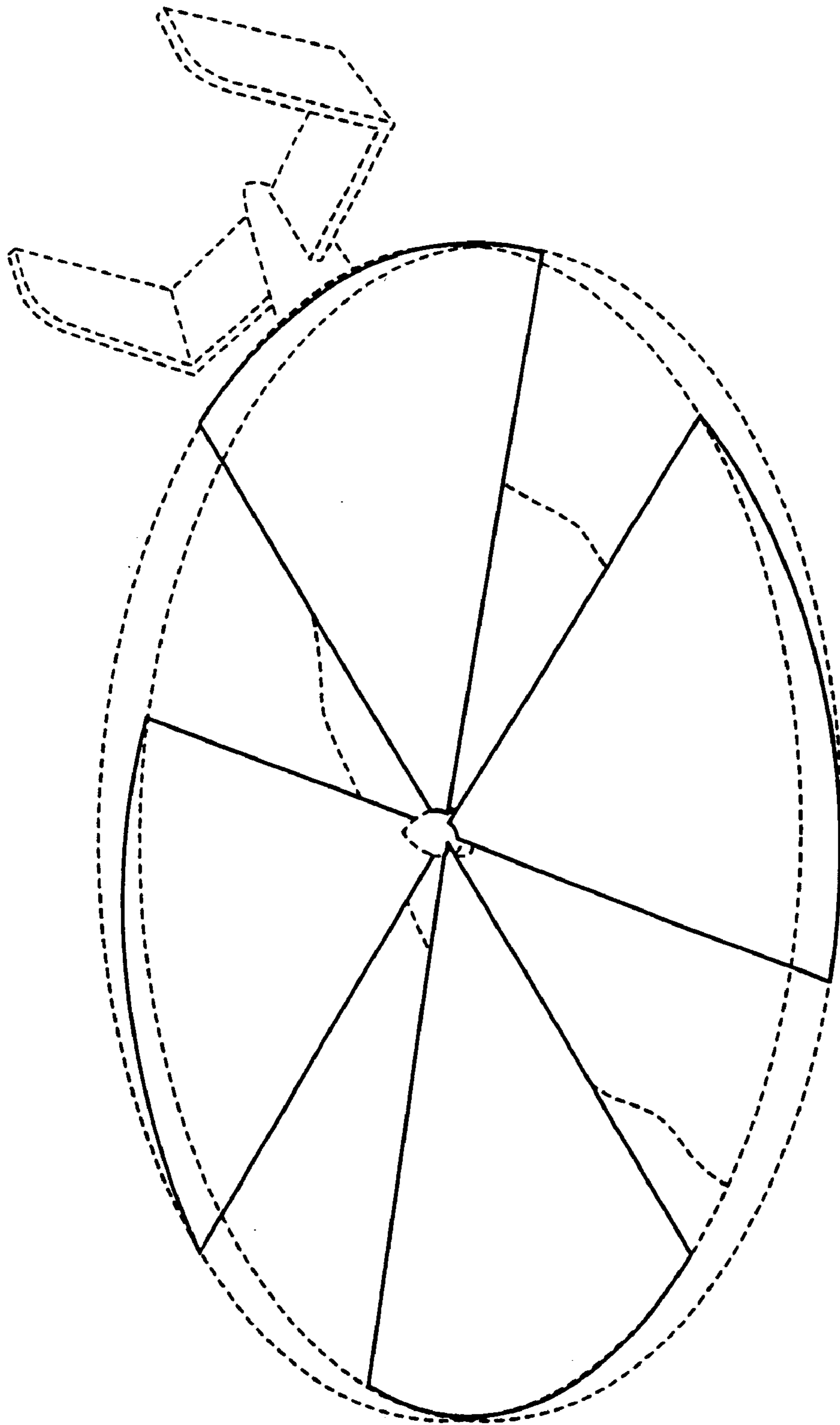


FIGURE 1

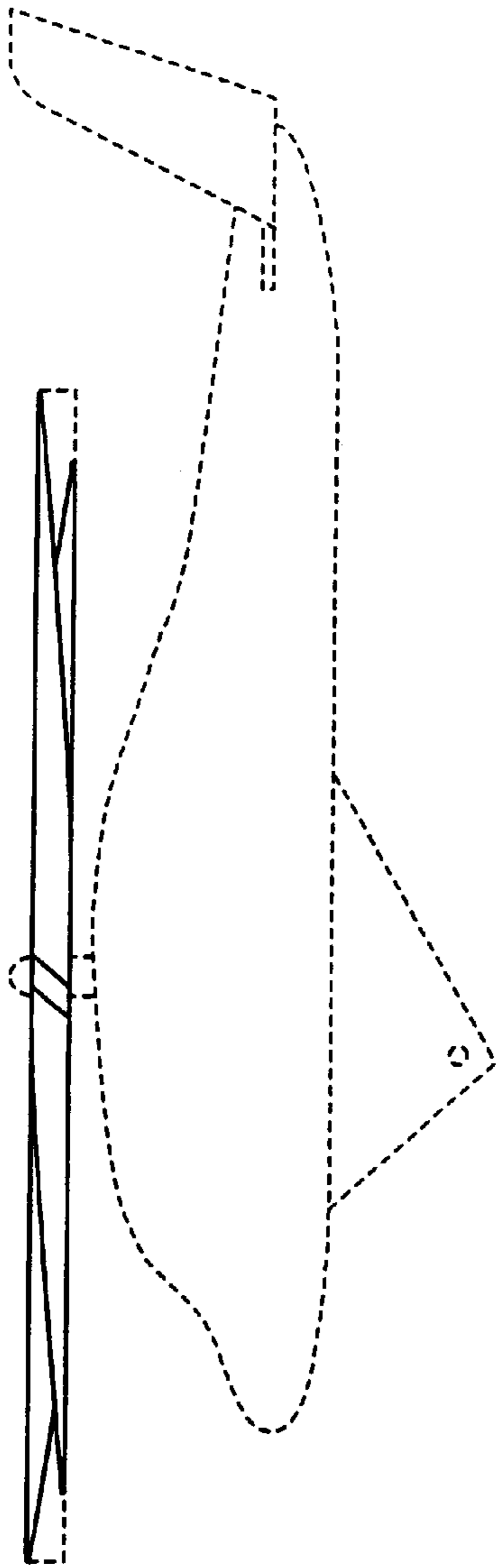


FIGURE 2

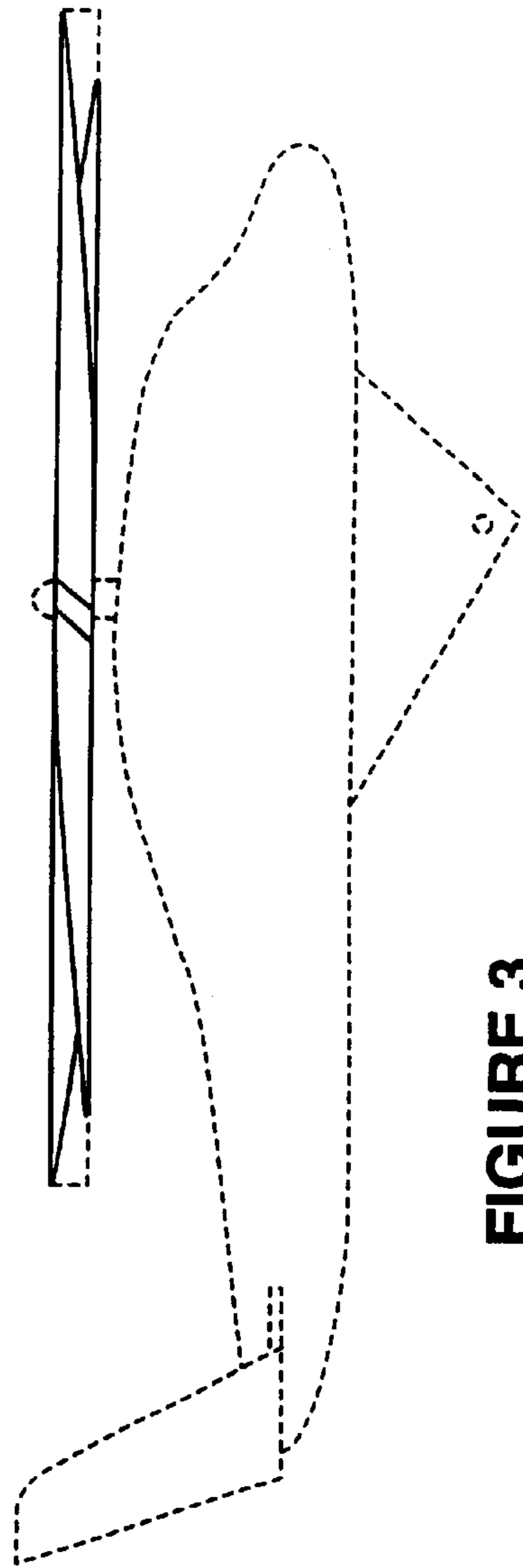


FIGURE 3

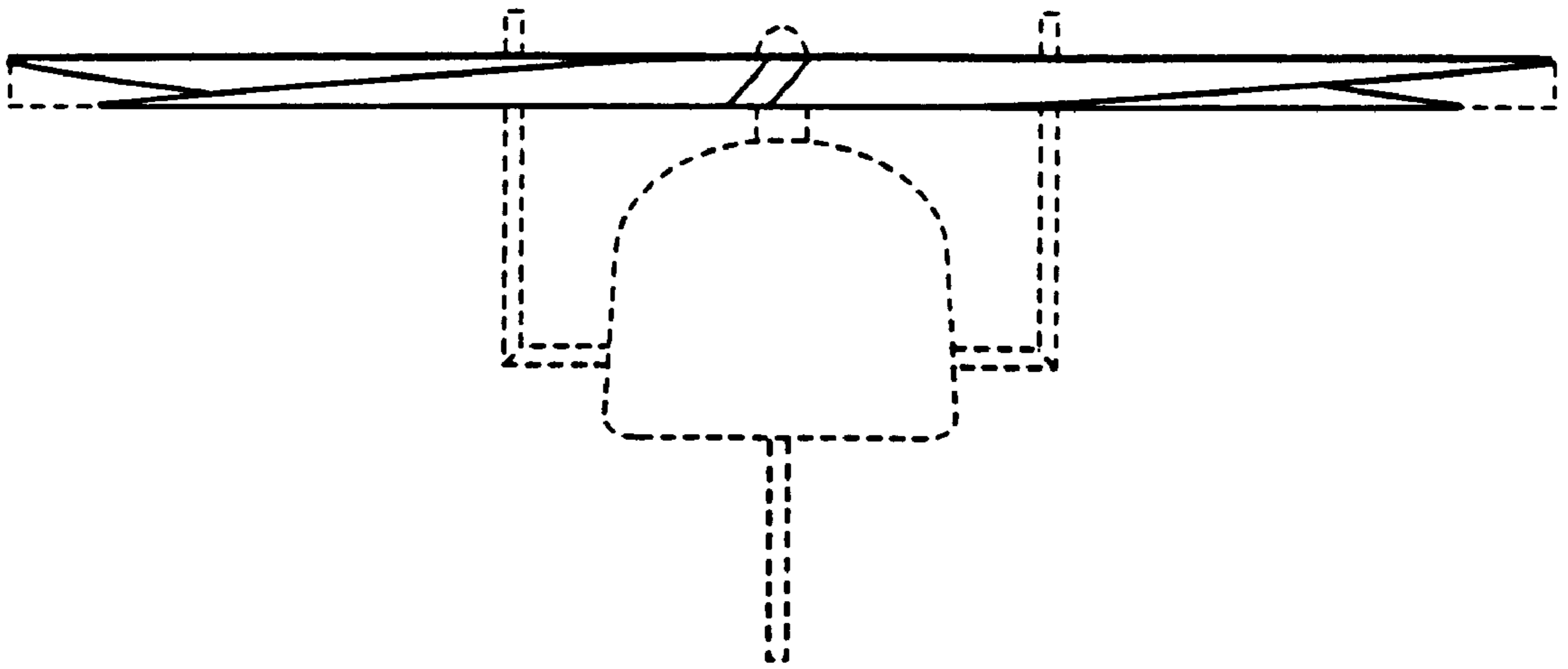


FIGURE 4

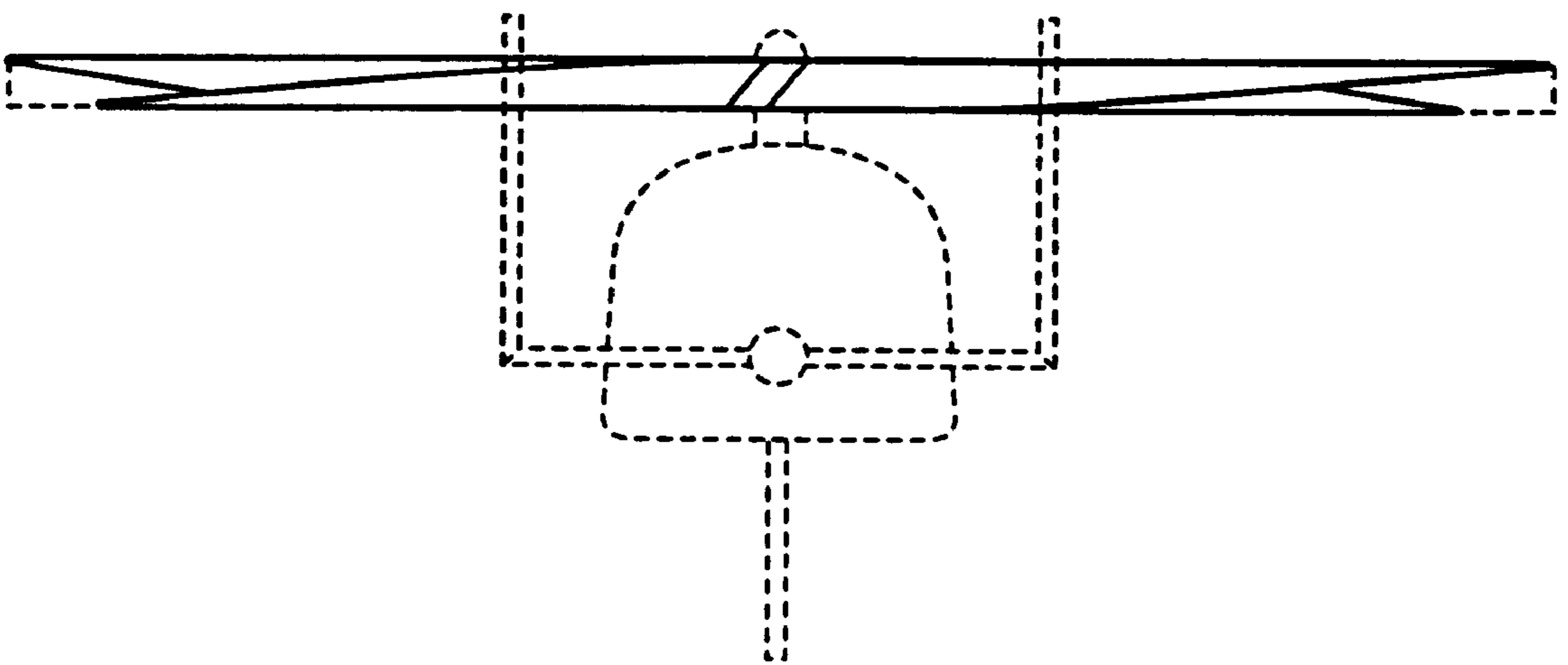


FIGURE 5

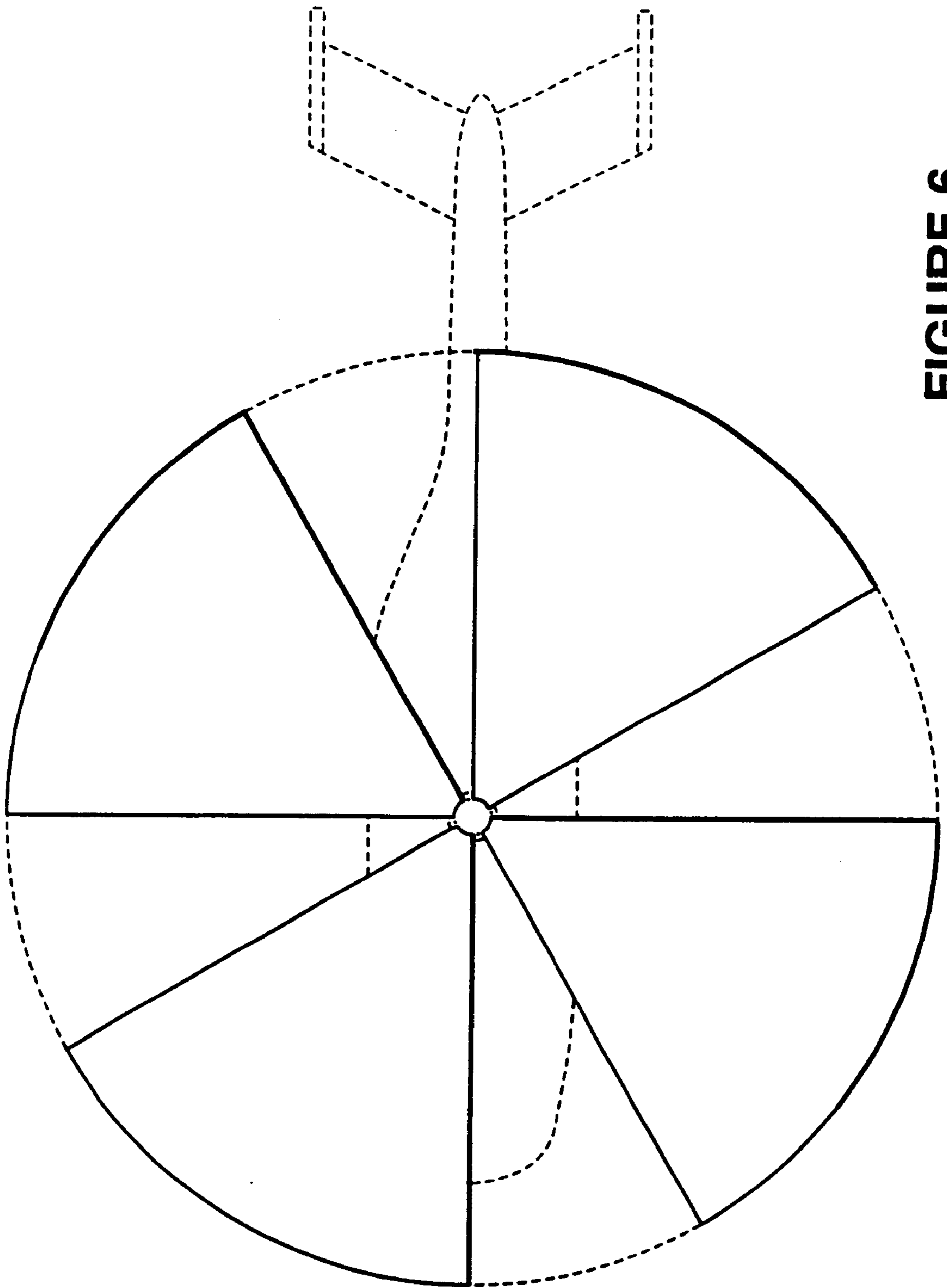


FIGURE 6

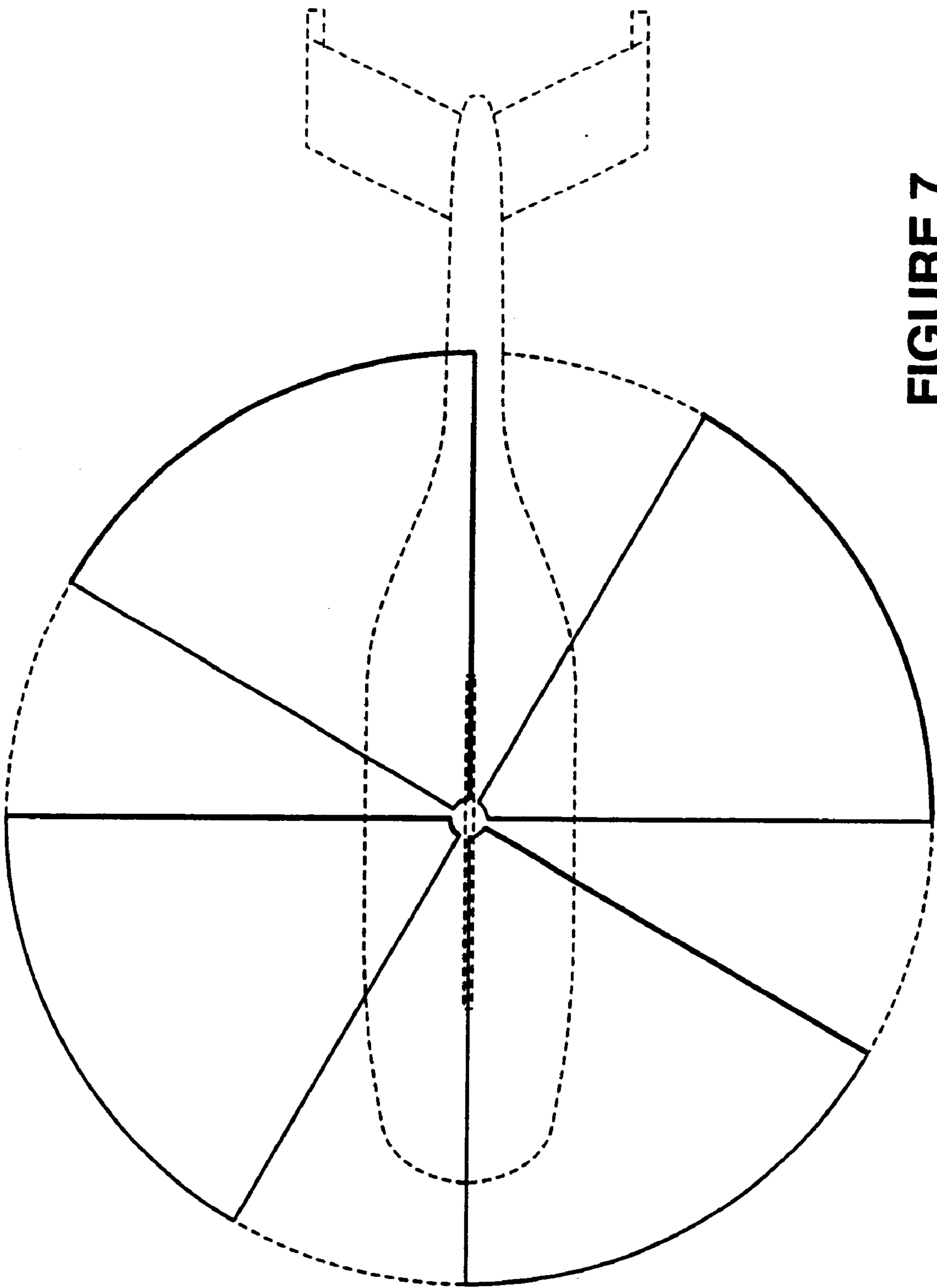


FIGURE 7