



US00D460788S

(12) **United States Design Patent**  
**Kwok**

(10) **Patent No.:** **US D460,788 S**

(45) **Date of Patent:** **\*\* Jul. 23, 2002**

(54) **SCOOTER**

(75) **Inventor:** **Antony Chun Lung Kwok, Hong Kong (HK)**

(73) **Assignee:** **Marco Skates Limited, Chaiwan (HK)**

(\*\*) **Term:** **14 Years**

(21) **Appl. No.:** **29/139,342**

(22) **Filed:** **Mar. 29, 2001**

(51) **LOC (7) Cl.** ..... **21-01**

(52) **U.S. Cl.** ..... **D21/423**

(58) **Field of Search** ..... D21/419, 421, D21/423, 424, 426, 435, 533, 760, 765, 771; D12/107, 110-112; 280/87.01, 87.04, 87.041, 87.042, 87.05; 180/181, 216

(56) **References Cited**

**U.S. PATENT DOCUMENTS**

- 1,416,864 A \* 5/1922 Parkes
- D293,340 S \* 12/1987 Heilig ..... D21/423
- 4,828,284 A \* 5/1989 Sandgren ..... 280/87.041
- D421,632 S \* 3/2000 Jones et al. .... D21/423

- D433,718 S \* 11/2000 McGreen ..... D21/423
- D435,873 S \* 1/2001 Lee ..... D21/423
- 6,217,058 B1 \* 4/2001 Wang ..... 280/87.041

\* cited by examiner

*Primary Examiner*—Raphael Barkai

(74) *Attorney, Agent, or Firm*—Leydig, Voit & Mayer, Ltd.

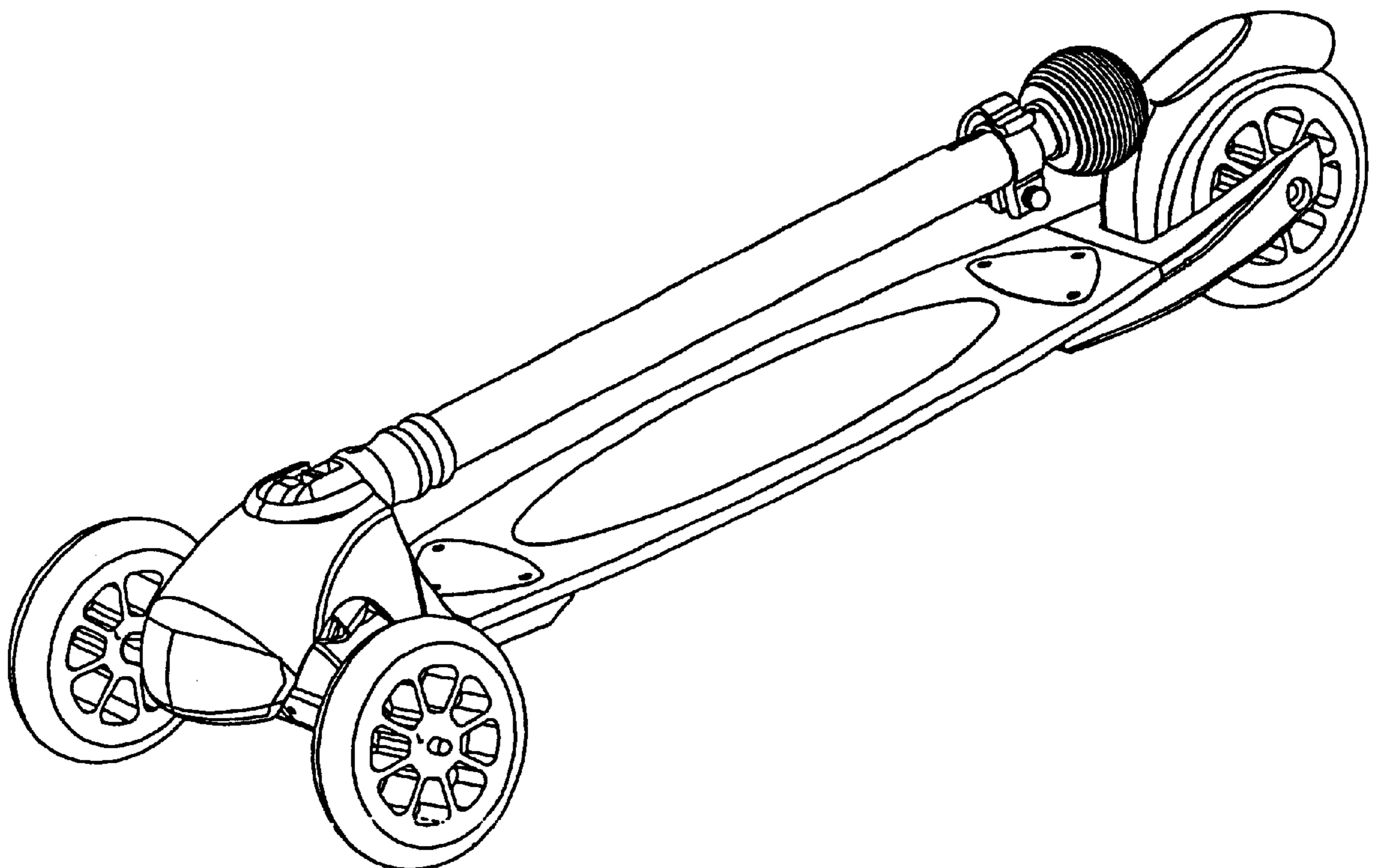
(57) **CLAIM**

The ornamental design for a scooter, as shown and described.

**DESCRIPTION**

FIG. 1 is a left side view of a scooter showing my new design;  
 FIG. 2 is a front end elevational view thereof;  
 FIG. 3 is a rear end elevational view thereof;  
 FIG. 4 is a top and front end perspective view thereof;  
 FIG. 5 is a front, left side and top perspective view thereof in a folded condition;  
 FIG. 6 is a rear, right side and top perspective view thereof in a folded condition; and,  
 FIG. 7 is a top plan view thereof in a folded condition.

**1 Claim, 6 Drawing Sheets**



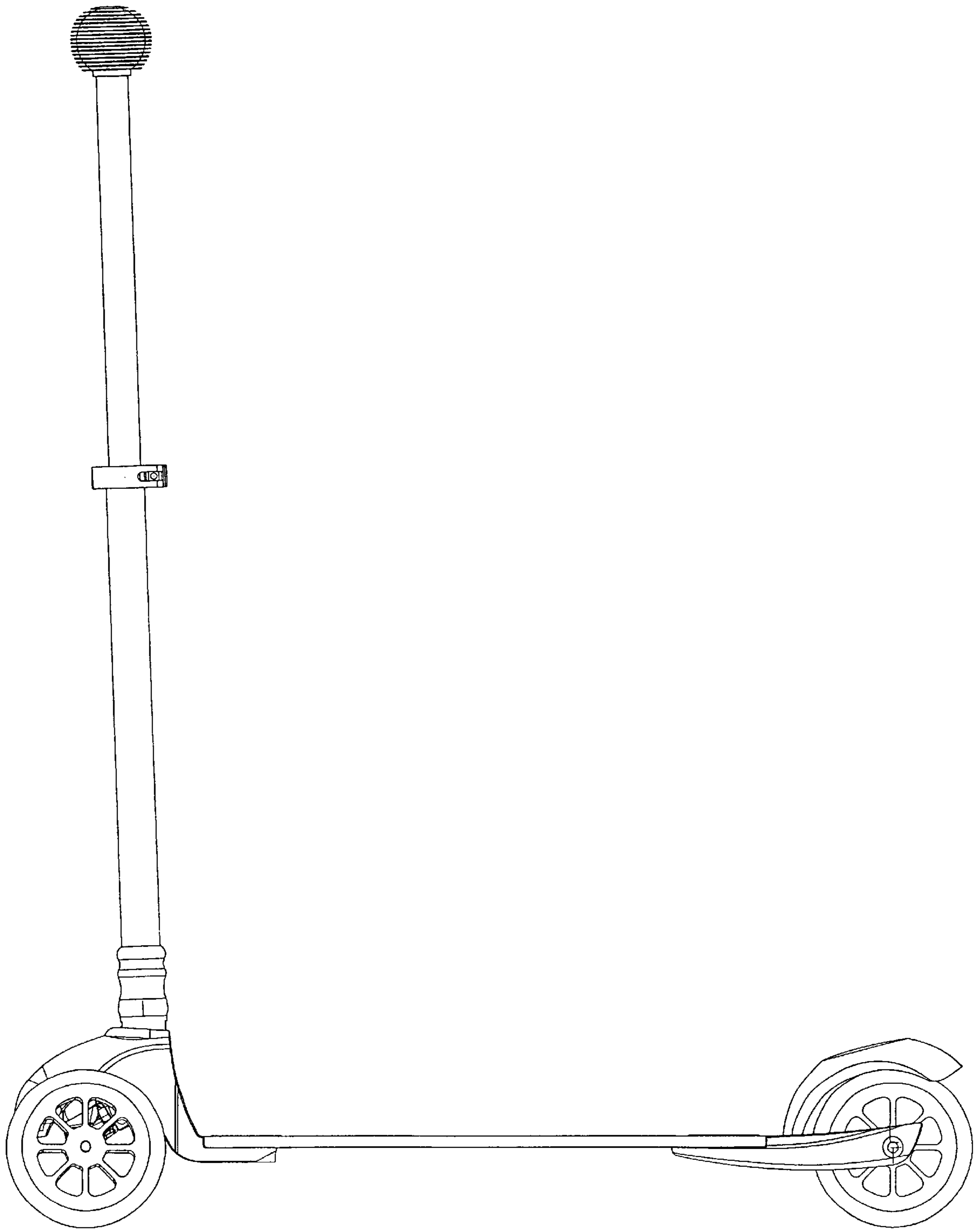


FIG. 1

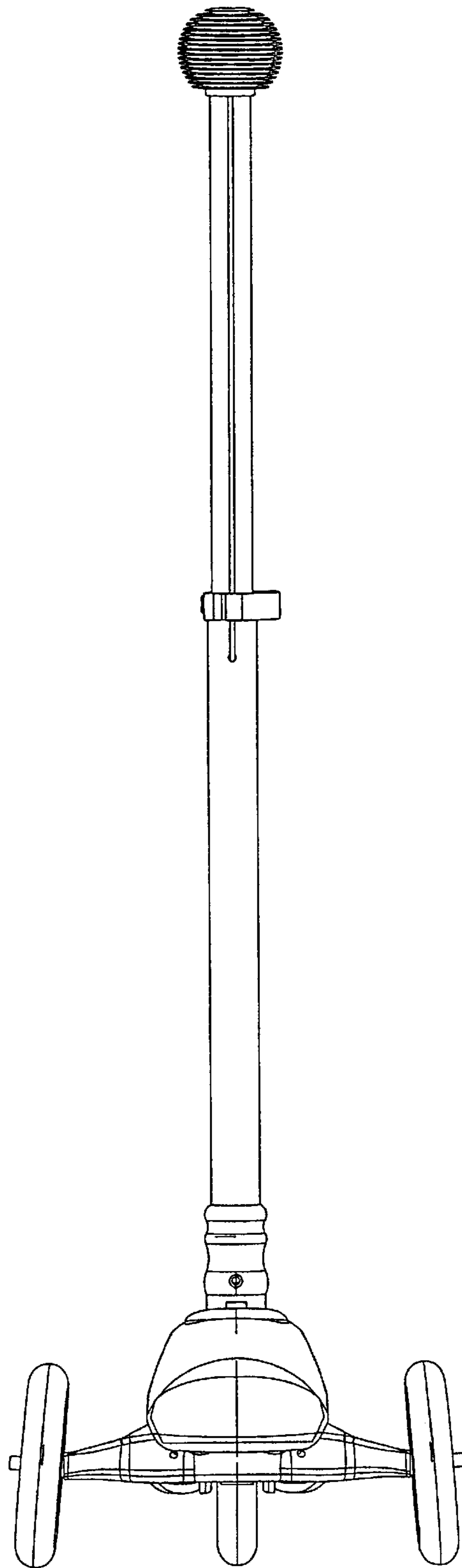


FIG. 2

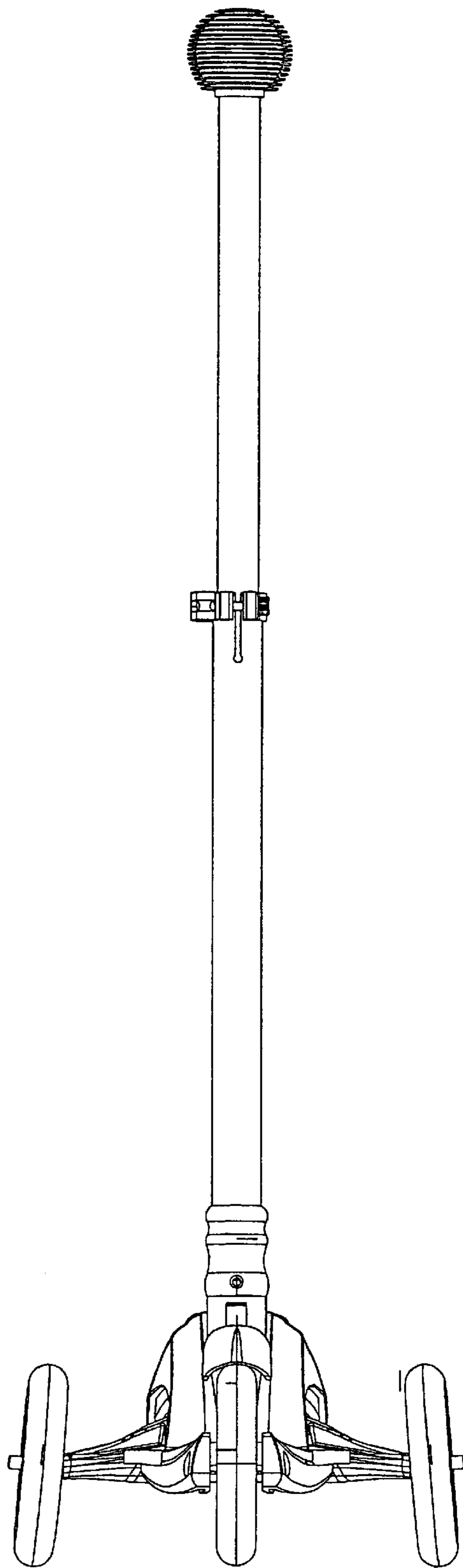


FIG. 3

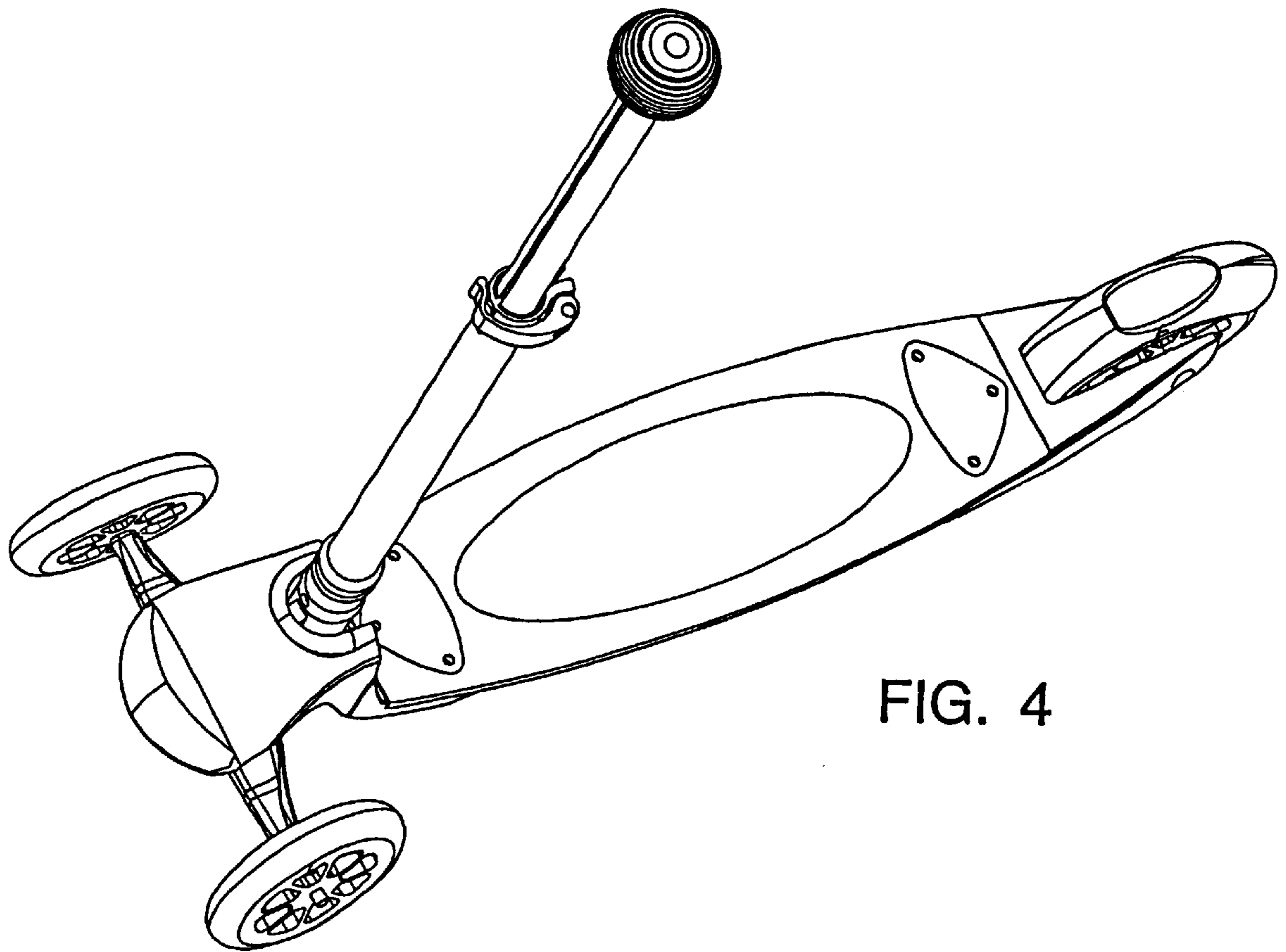


FIG. 4

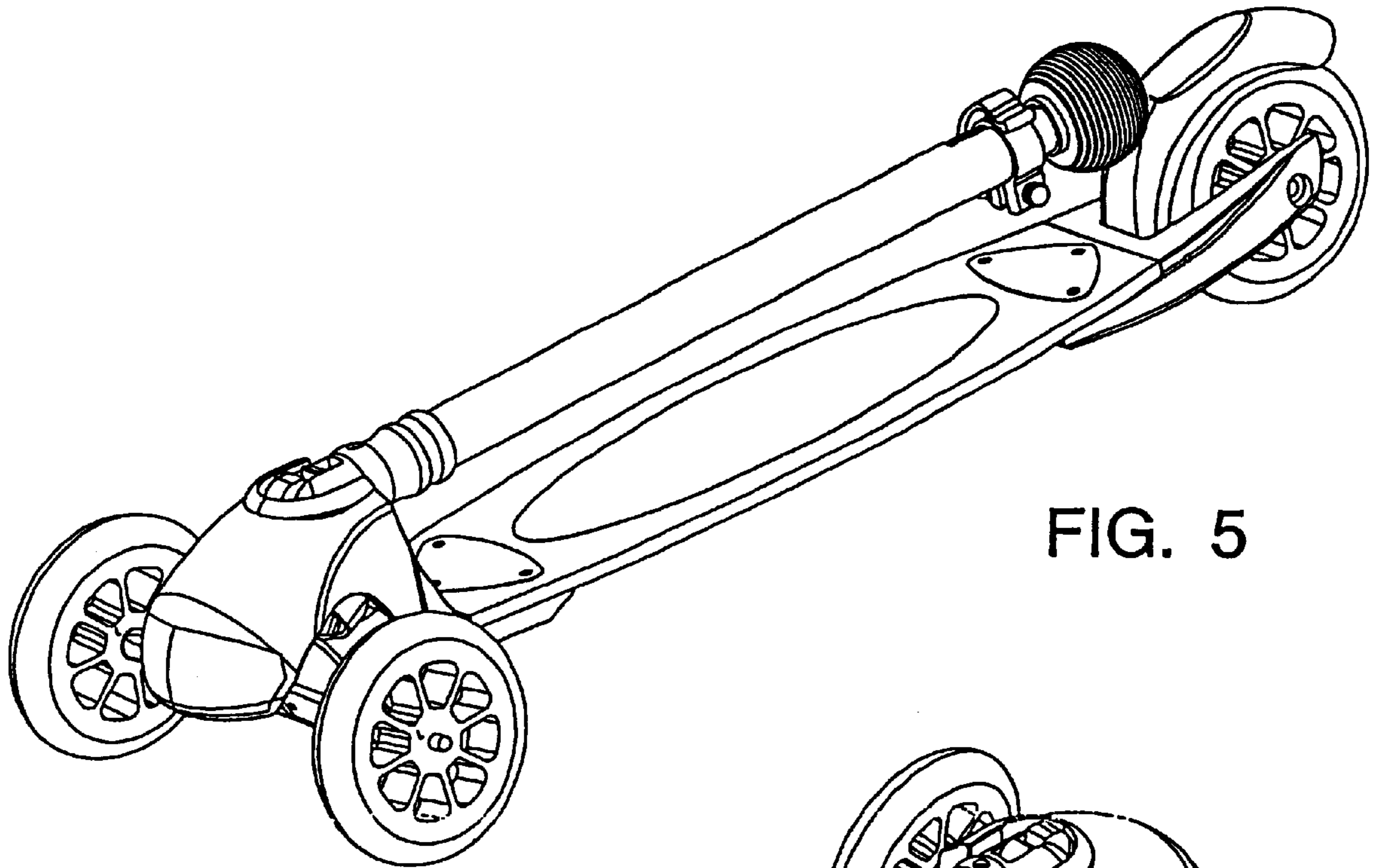


FIG. 5

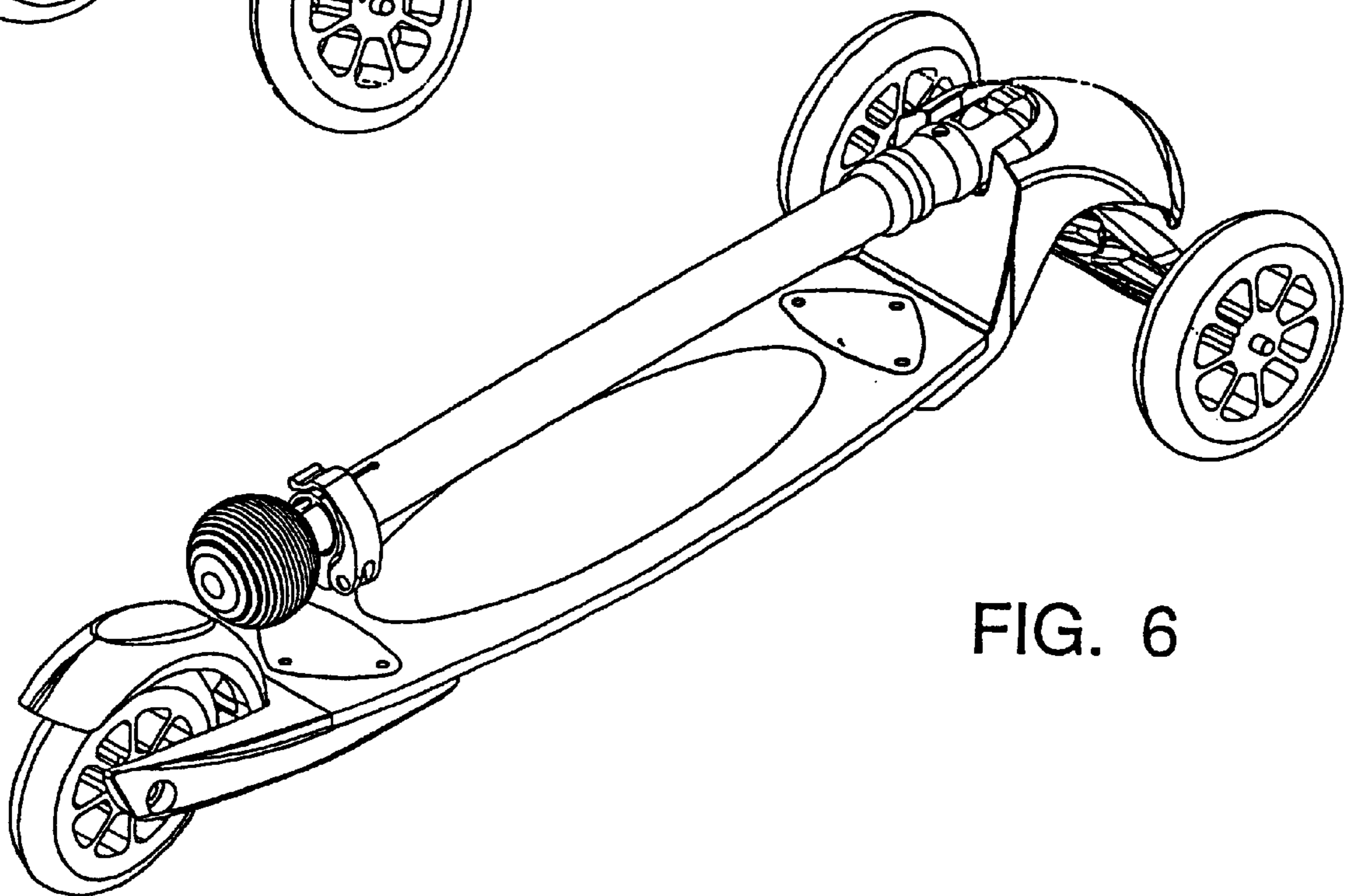


FIG. 6

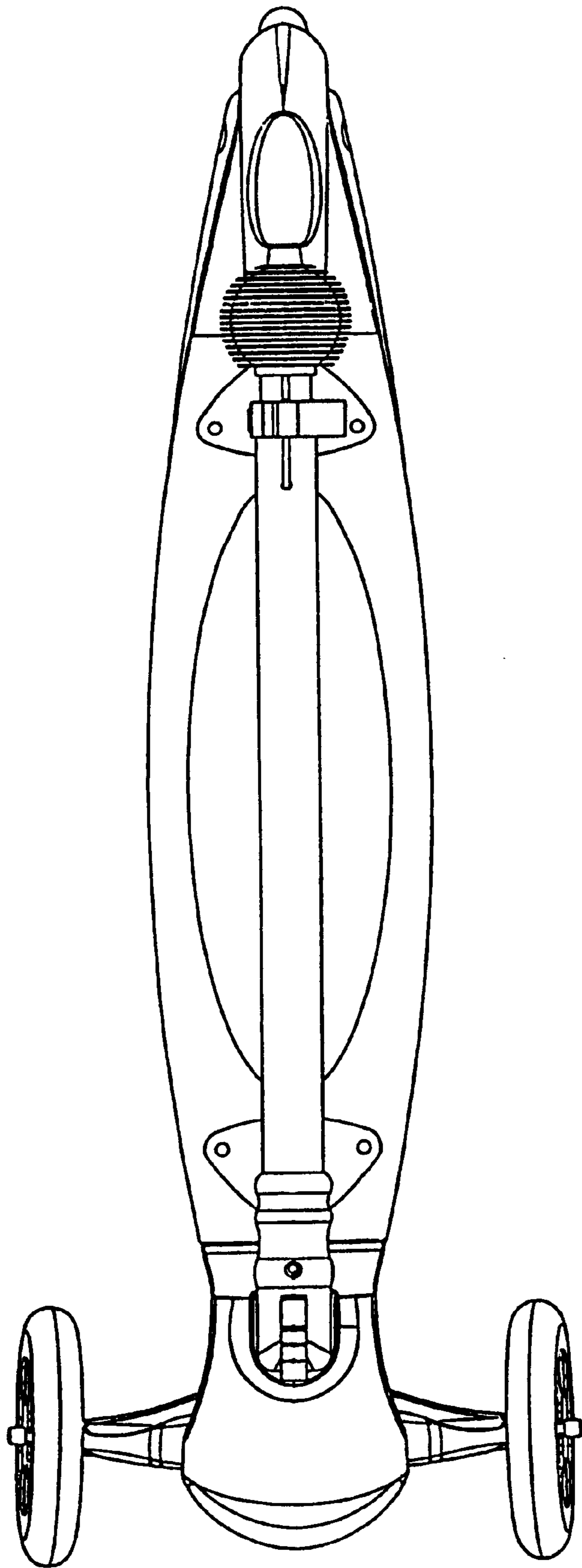


FIG. 7