



US00D460780S

(12) **United States Design Patent**  
**Dwyer et al.**

(10) **Patent No.:** **US D460,780 S**

(45) **Date of Patent:** **\*\* Jul. 23, 2002**

(54) **INKJET PRINTER**

(75) Inventors: **Daniel R. Dwyer**, Battle Ground;  
**Jeffrey G. Bingham**, Vancouver; **Joyce Chua**, Vancouver; **Robert Fritz**, Vancouver, all of WA (US)

(73) Assignee: **Hewlett-Packard Company**, Palo Alto, CA (US)

(\*\*) Term: **14 Years**

(21) Appl. No.: **29/143,399**

(22) Filed: **Jun. 12, 2001**

(51) **LOC (7) Cl.** ..... **14-02**

(52) **U.S. Cl.** ..... **D18/55**

(58) **Field of Search** ..... D18/36, 37, 50,  
D18/54-55; 400/613, 613.1-613.4, 691-694,  
690.1-690.4

(56) **References Cited**

**U.S. PATENT DOCUMENTS**

- D350,364 S \* 9/1994 Kawashima et al. .... D18/50
- D382,894 S 8/1997 Berriman et al.
- D394,452 S \* 5/1998 Iwamoto et al. .... D18/54

- D399,251 S \* 10/1998 McGlashan ..... D18/55
- D400,572 S \* 11/1998 Sekine et al. .... D18/54
- D402,689 S 12/1998 Brown et al.
- D439,274 S \* 3/2001 Dwyer et al. .... D18/55
- D443,296 S \* 6/2001 Dwyer et al. .... D18/55
- D449,066 S 10/2001 Dwyer et al.
- D449,334 S 10/2001 Dwyer et al.

\* cited by examiner

*Primary Examiner*—Cathy Anne MacCormac

(57) **CLAIM**

An ornamental design for an inkjet printer, substantially as shown and described.

**DESCRIPTION**

FIG. 1 is a perspective view of an inkjet printer, in accordance with the present invention;  
 FIG. 2 is a front view thereof;  
 FIG. 3 is a left side elevational view thereof, with the right side elevational view being a mirror view thereof;  
 FIG. 4 is a rear elevational view thereof; and,  
 FIG. 5 is a top plan view thereof.  
 The bottom view has been omitted because it forms no part of the claimed design.

**1 Claim, 5 Drawing Sheets**

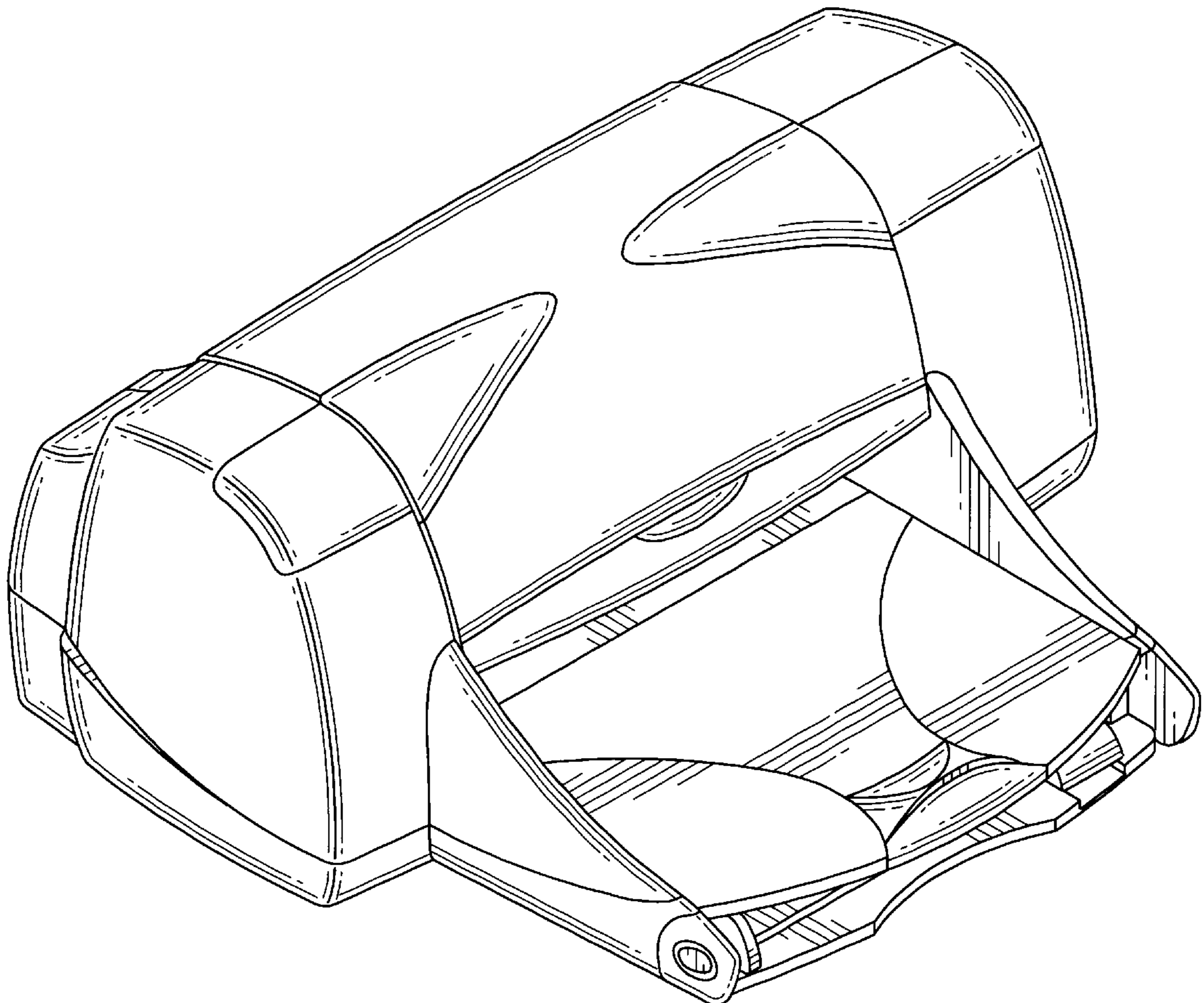
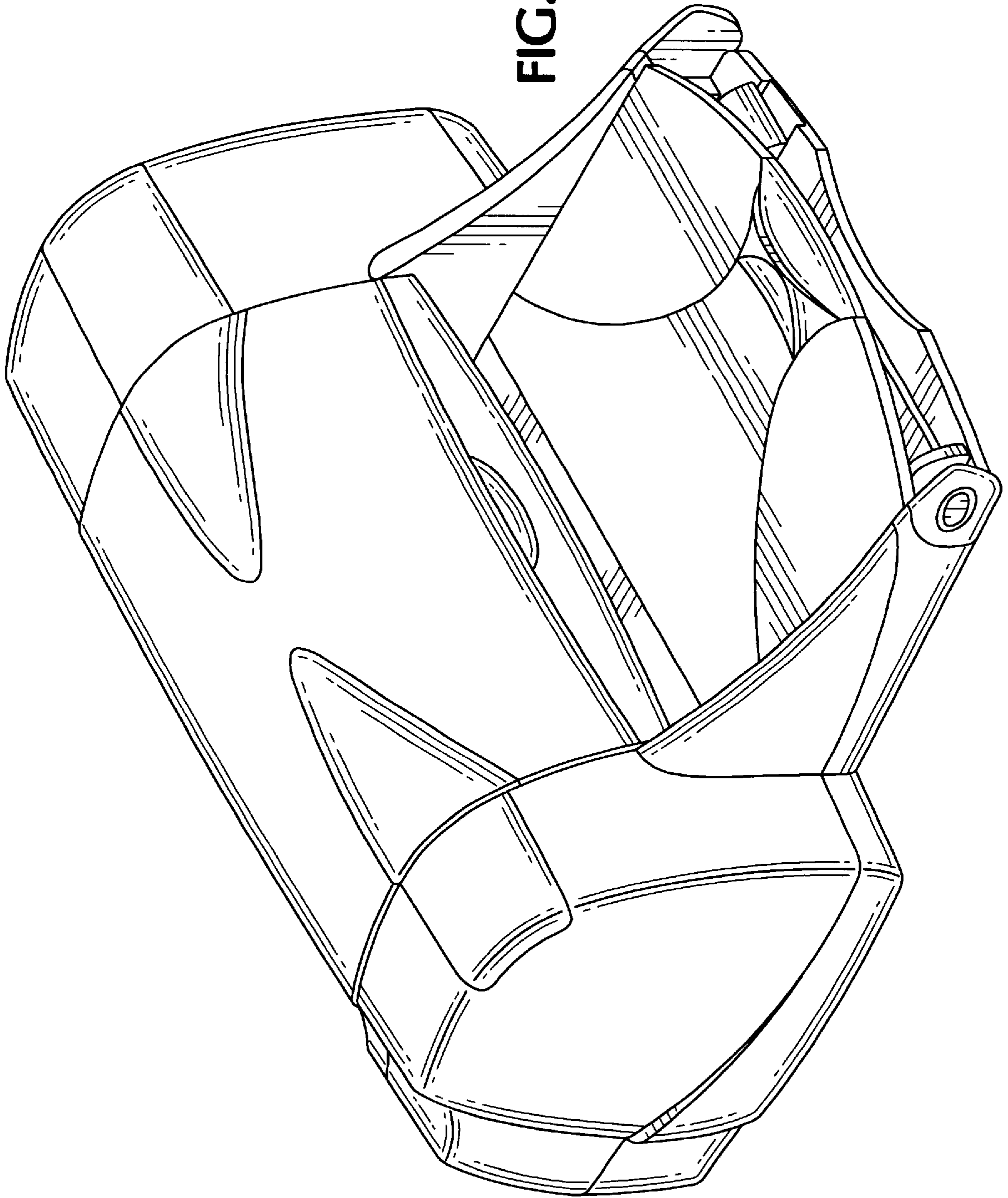


FIG.1



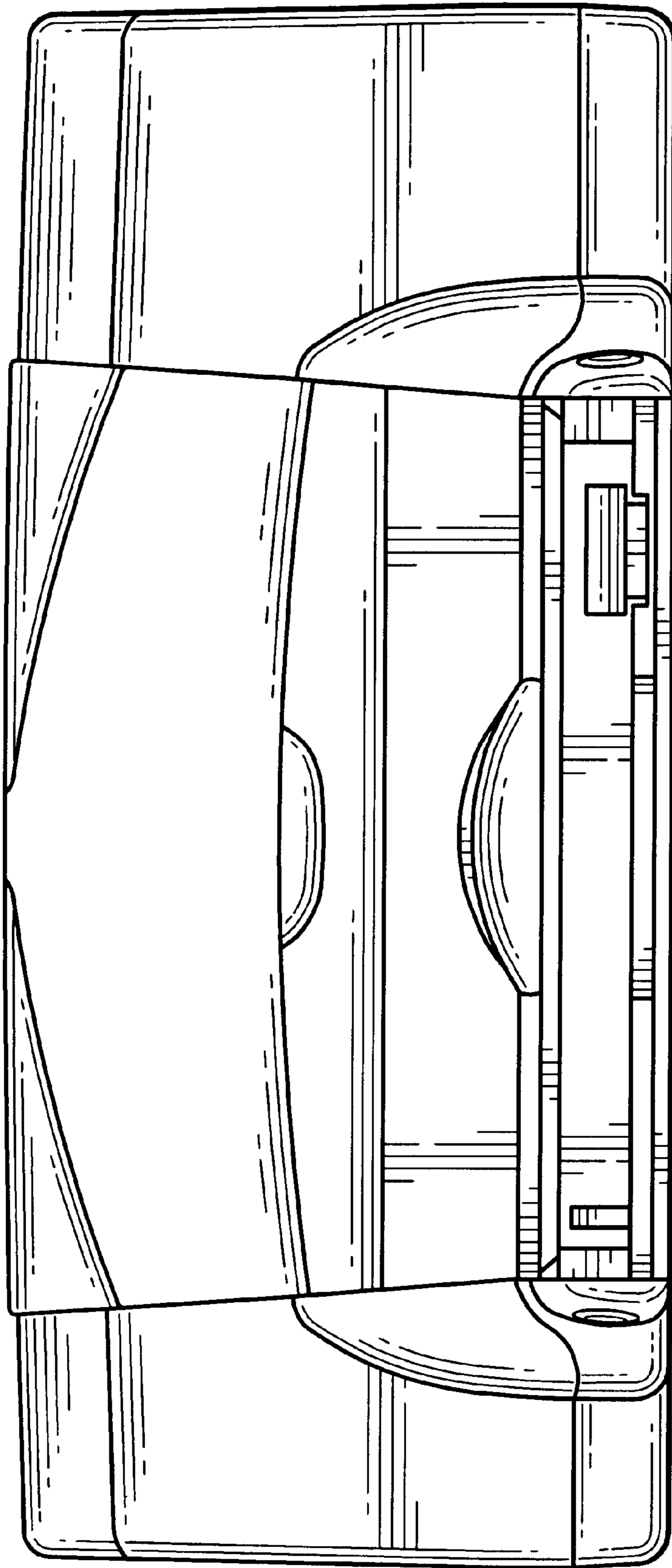


FIG.2

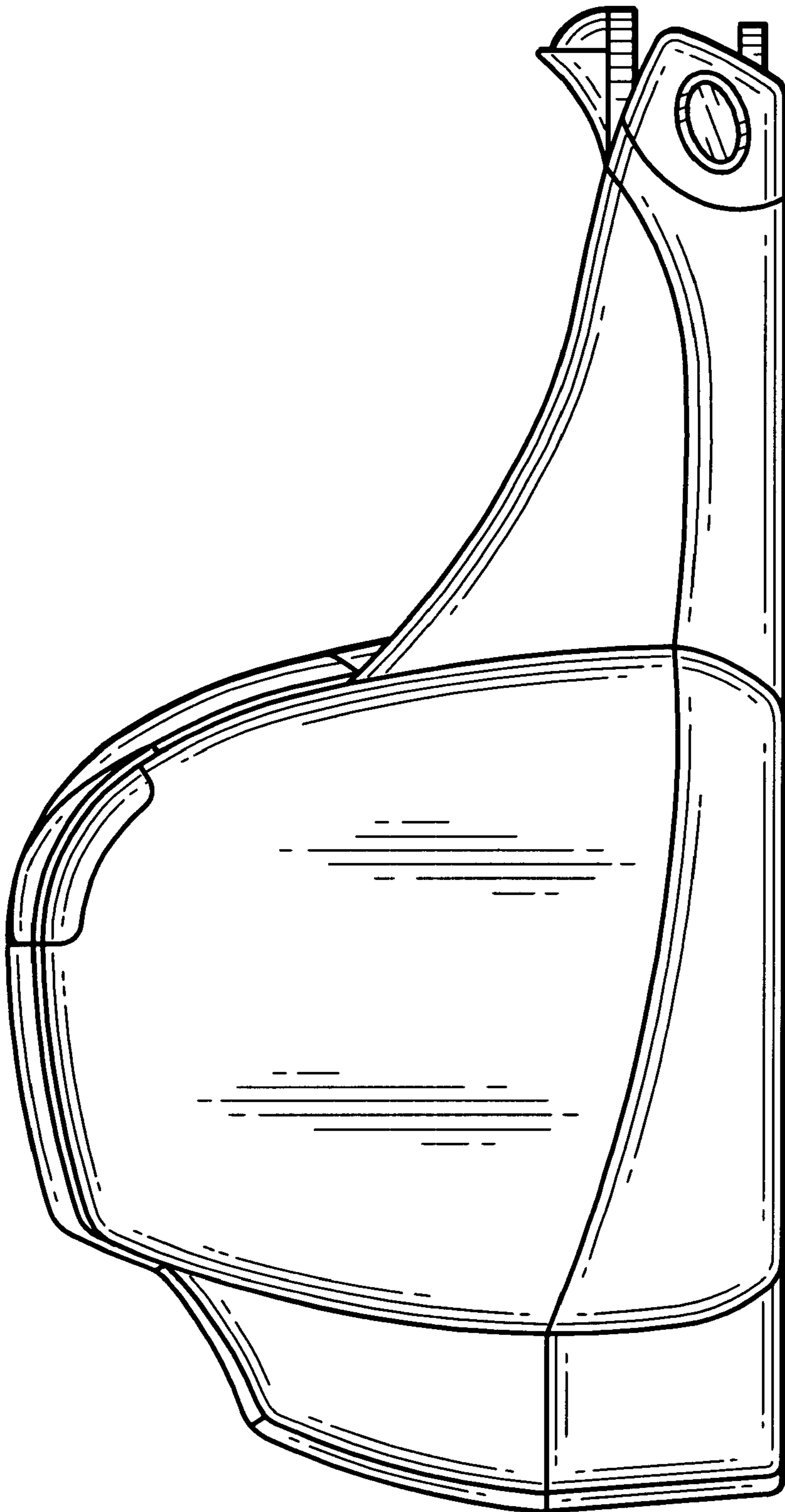


FIG. 3

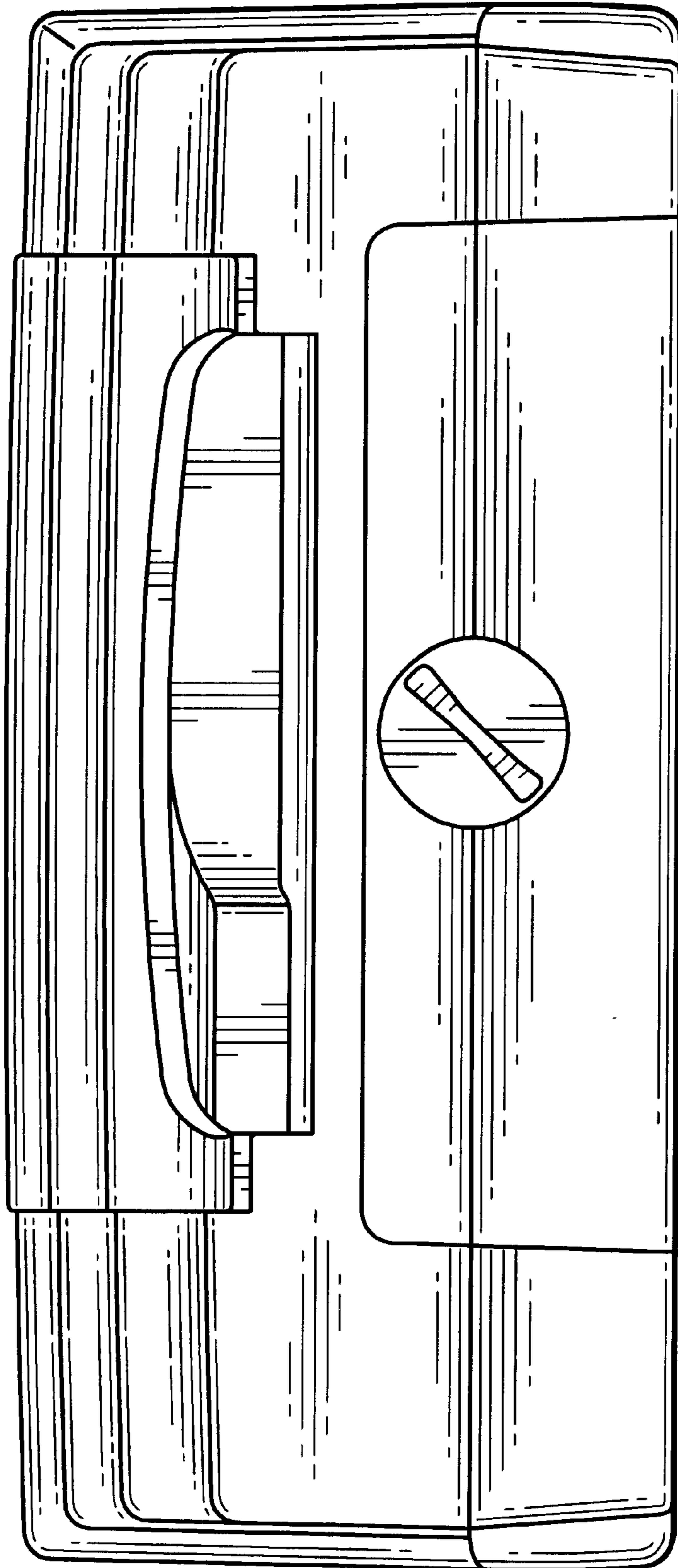


FIG.4

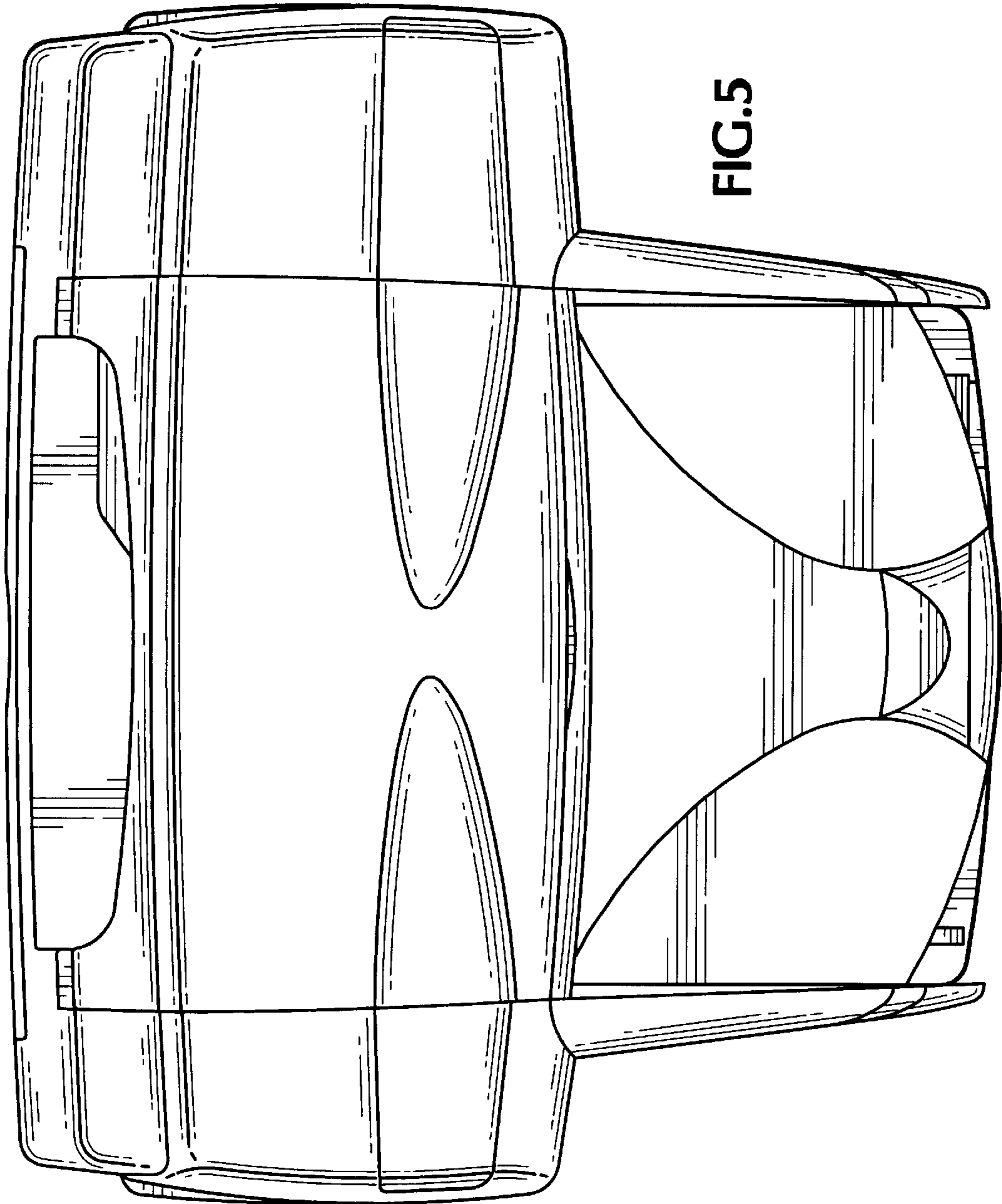


FIG. 5