



US00D460779S

(12) **United States Design Patent**
Black et al.

(10) **Patent No.:** **US D460,779 S**

(45) **Date of Patent:** **** Jul. 23, 2002**

(54) **CRATE MUSIC BOX**

(76) Inventors: **Barry H. Black; Lynn B. Black**, both
of 9 Franklin St., Pepperell, MA (US)
01463

(**) Term: **14 Years**

(21) Appl. No.: **29/146,072**

(22) Filed: **Aug. 2, 2001**

(51) **LOC (7) Cl.** **17-05**

(52) **U.S. Cl.** **D17/24**

(58) **Field of Search** D17/20, 24, 99;
84/94.1, 94.2, 95.1, 95.2; 206/314; 446/397

(56) **References Cited**

U.S. PATENT DOCUMENTS

D27,059 S	*	5/1897	Brachhausen	D17/24
D103,251 S	*	2/1937	Pullen	D17/24
2,751,803 A	*	6/1956	MacGowan	84/95.2
2,770,996 A	*	11/1956	Brodie	84/95.1
4,193,648 A	*	3/1980	Gargiulo	84/94.2
D399,520 S		10/1998	Miller et al.	D17/24

* cited by examiner

Primary Examiner—Adir Aronovich
(74) *Attorney, Agent, or Firm*—Lambert & Associates;
Gary E. Lambert; Edward Timmer

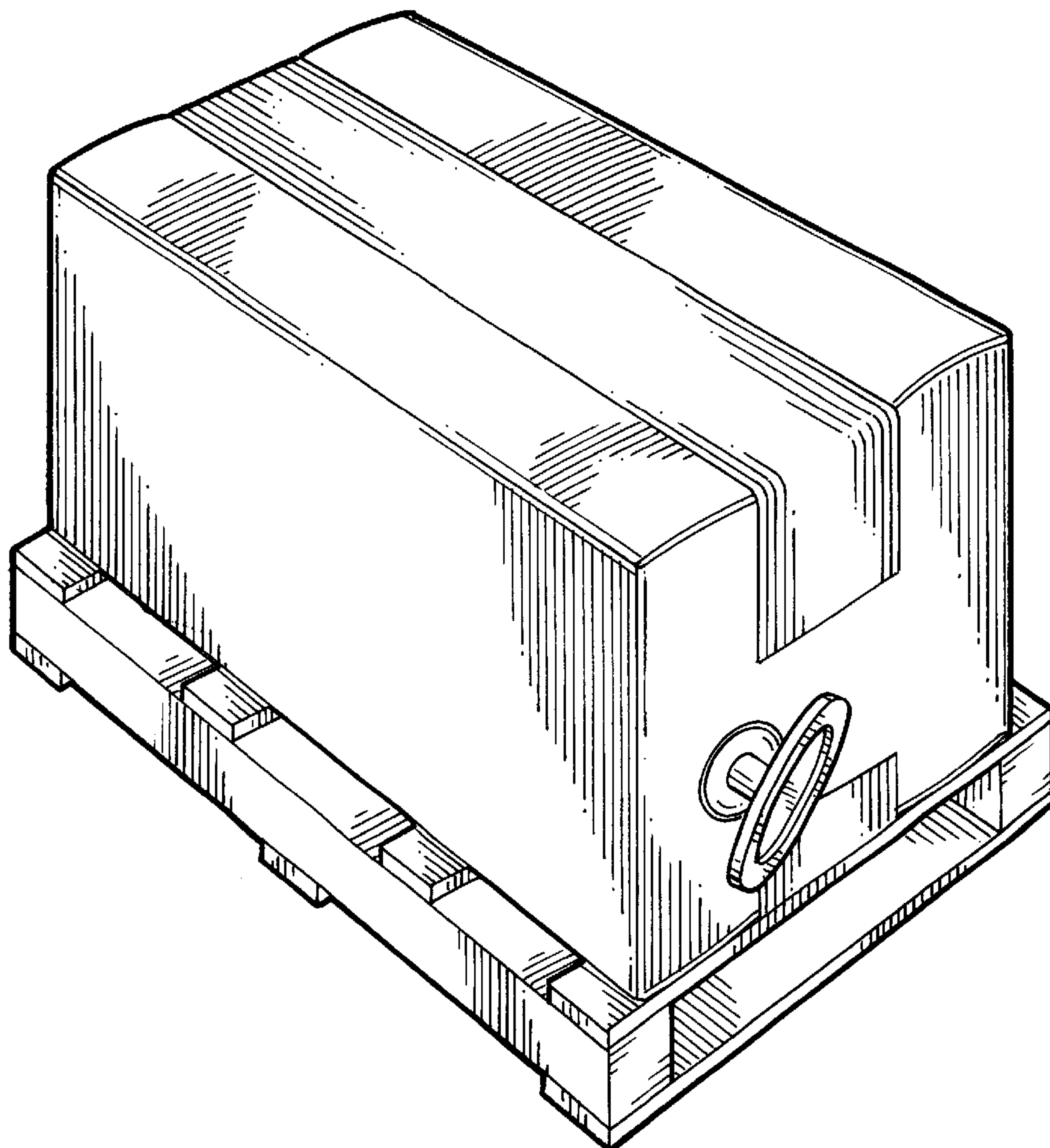
(57) **CLAIM**

The ornamental design for a crate music box, as shown and described.

DESCRIPTION

FIG. 1 is a perspective front view of a crate music box;
FIG. 2 is a left side elevational view of a crate music box of FIG. 1;
FIG. 3 is a right side elevational view of a crate music box of FIG. 1;
FIG. 4 is a top plan view of a crate music box of FIG. 1;
FIG. 5 is a bottom plan view of a crate music box of FIG. 1; and,
FIG. 6 is a front elevational view of a crate music box of FIG. 1 and it should be noted that a rear elevational view is a mirror image of the front elevational view.

1 Claim, 4 Drawing Sheets



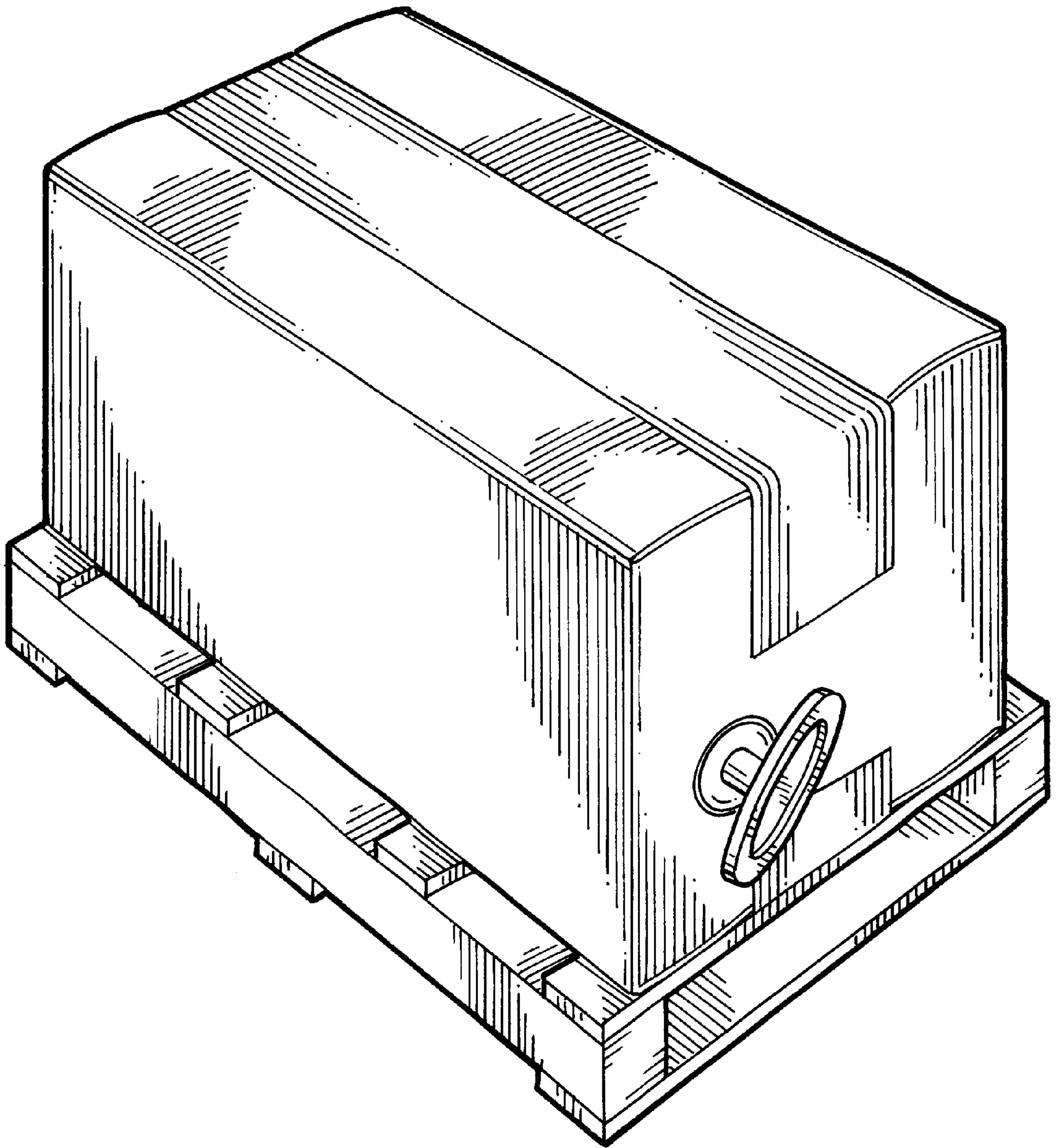


FIG. 1

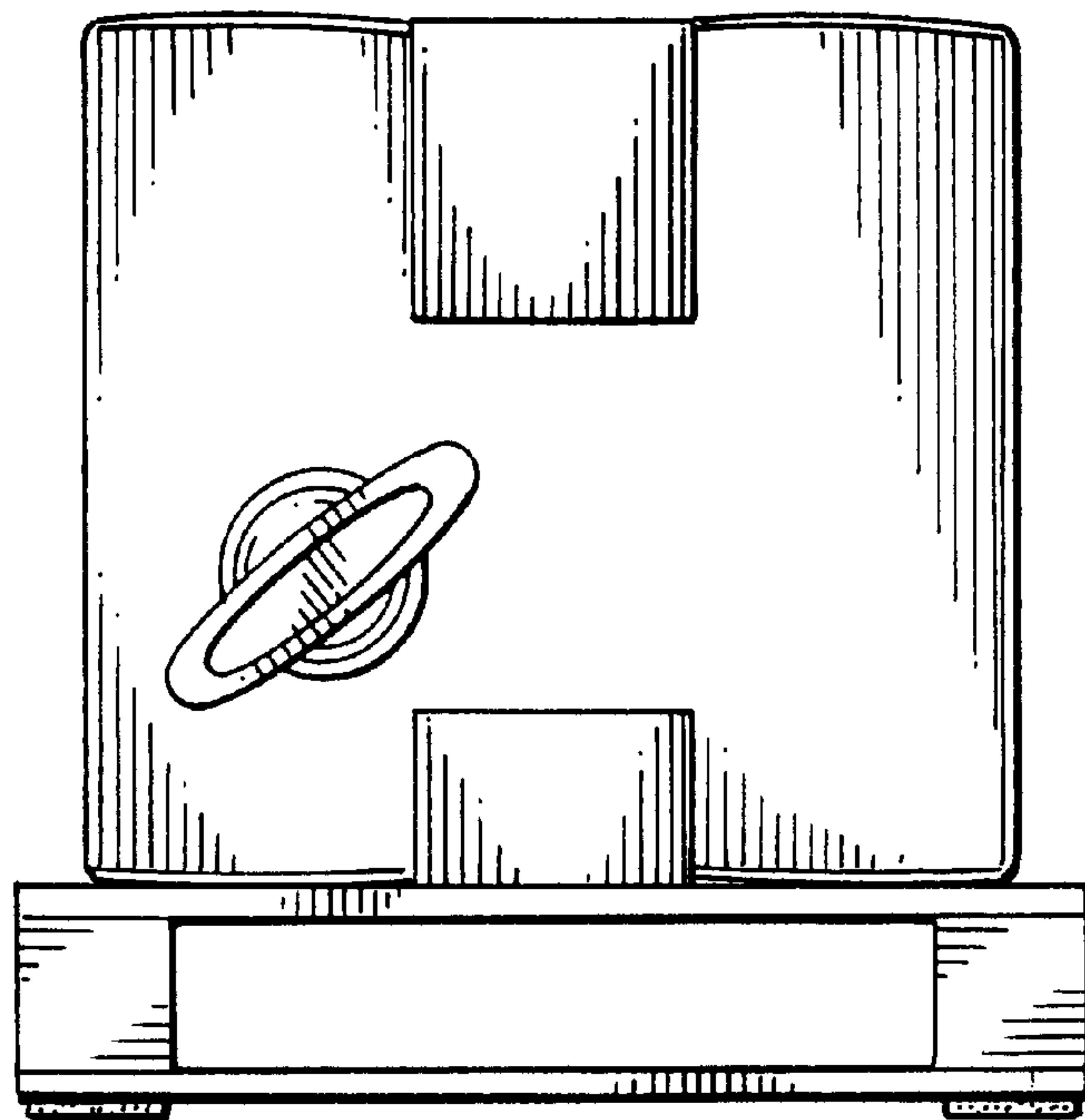


FIG. 2

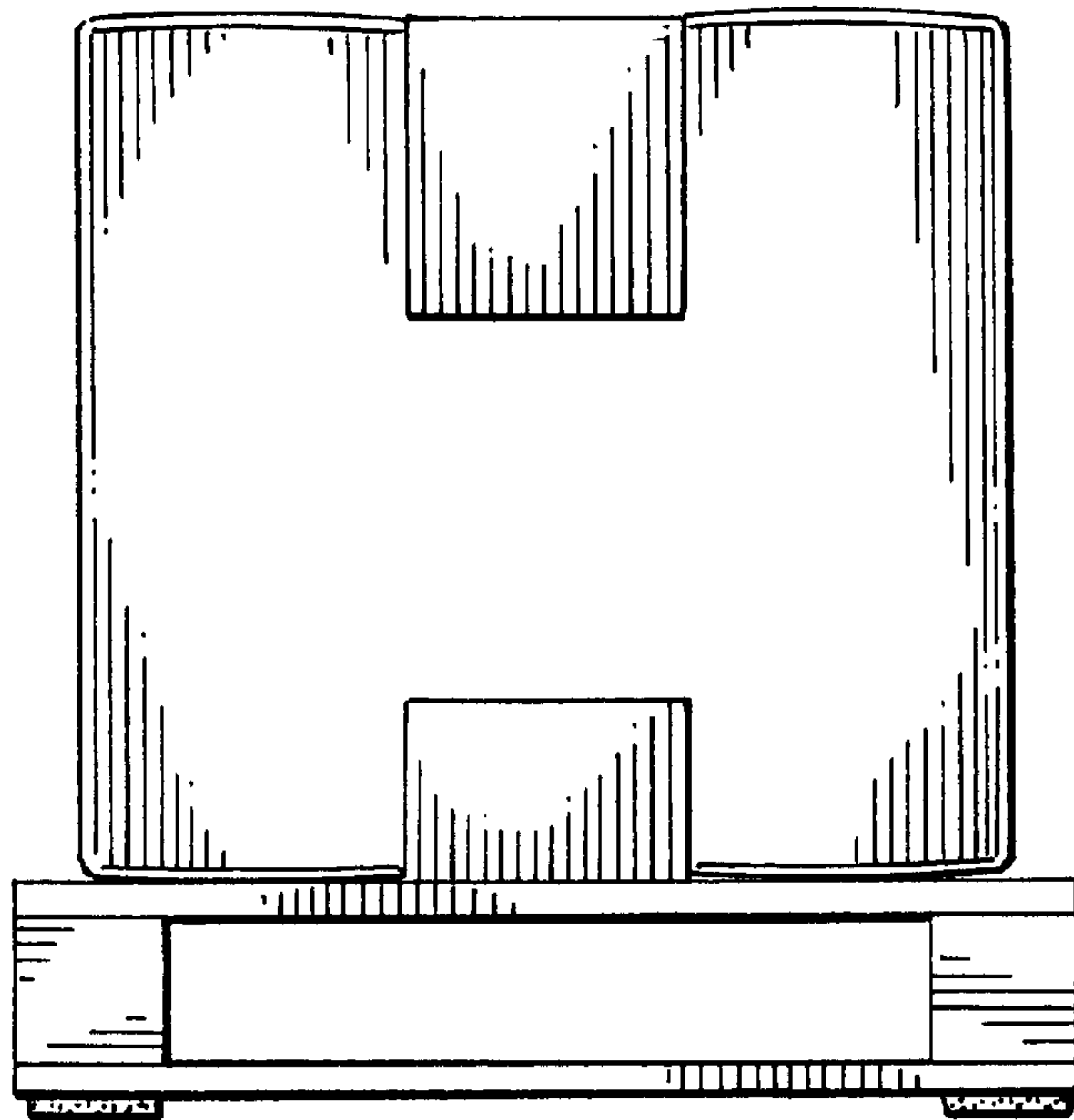


FIG. 3

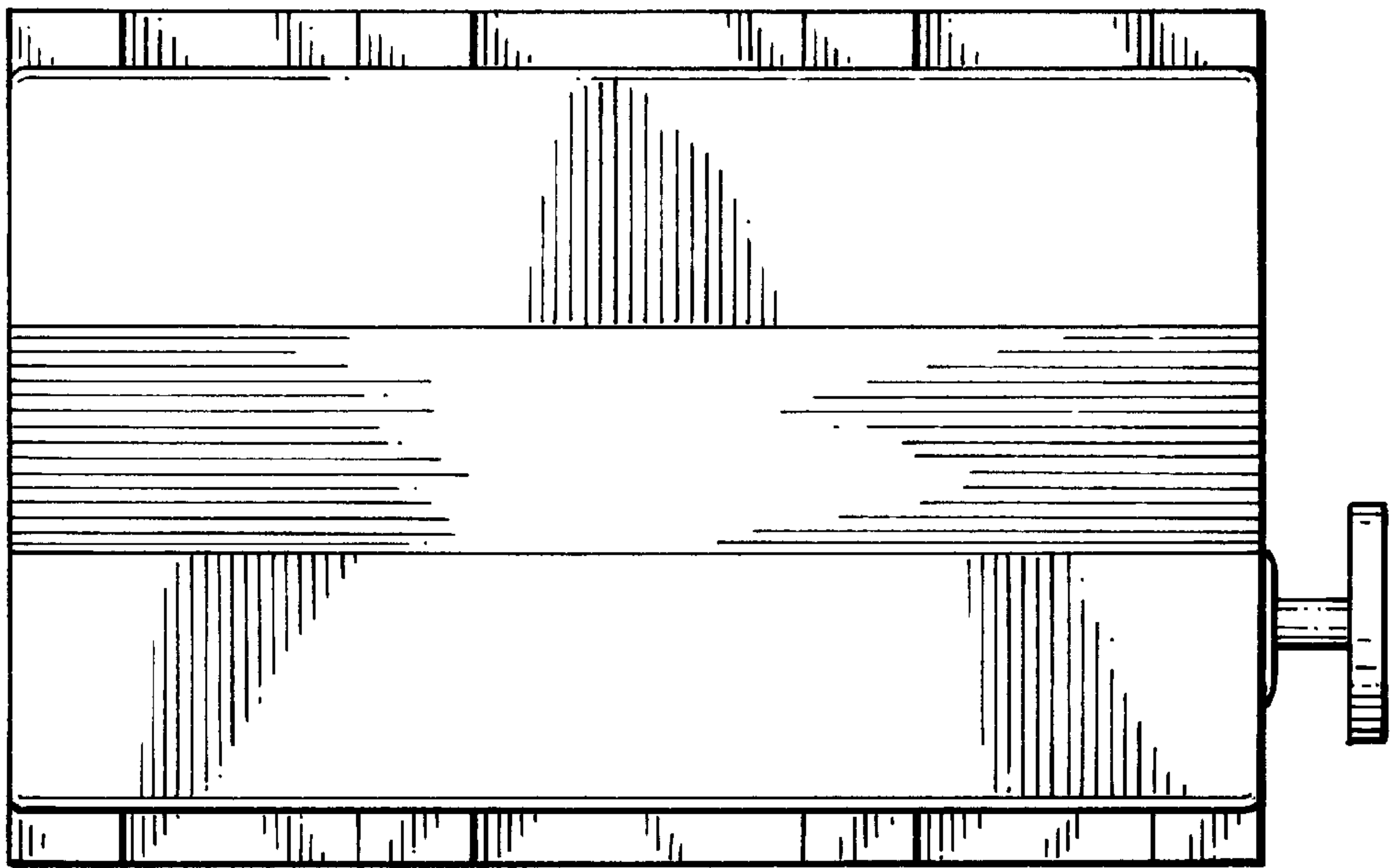


FIG. 4

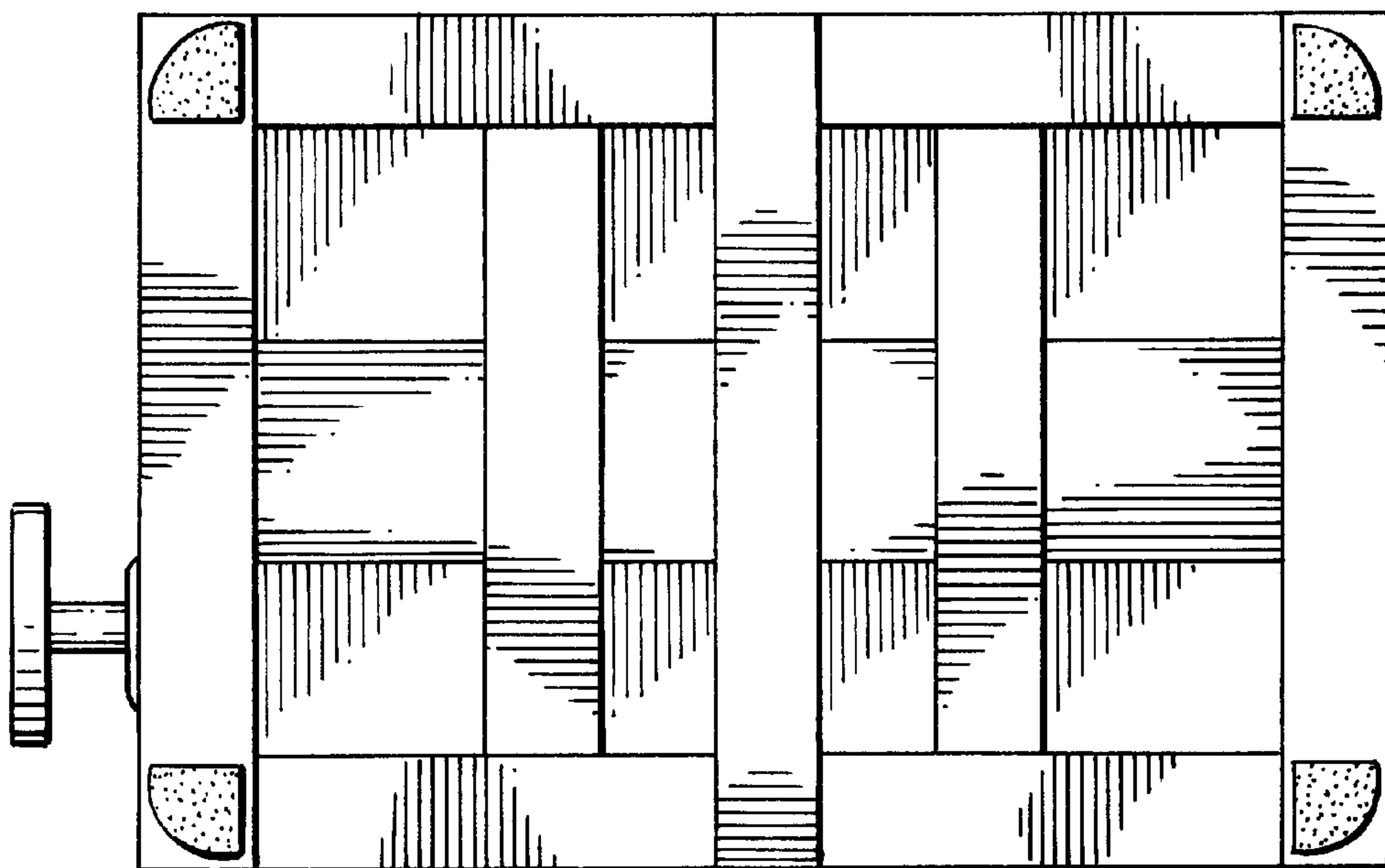


FIG. 5

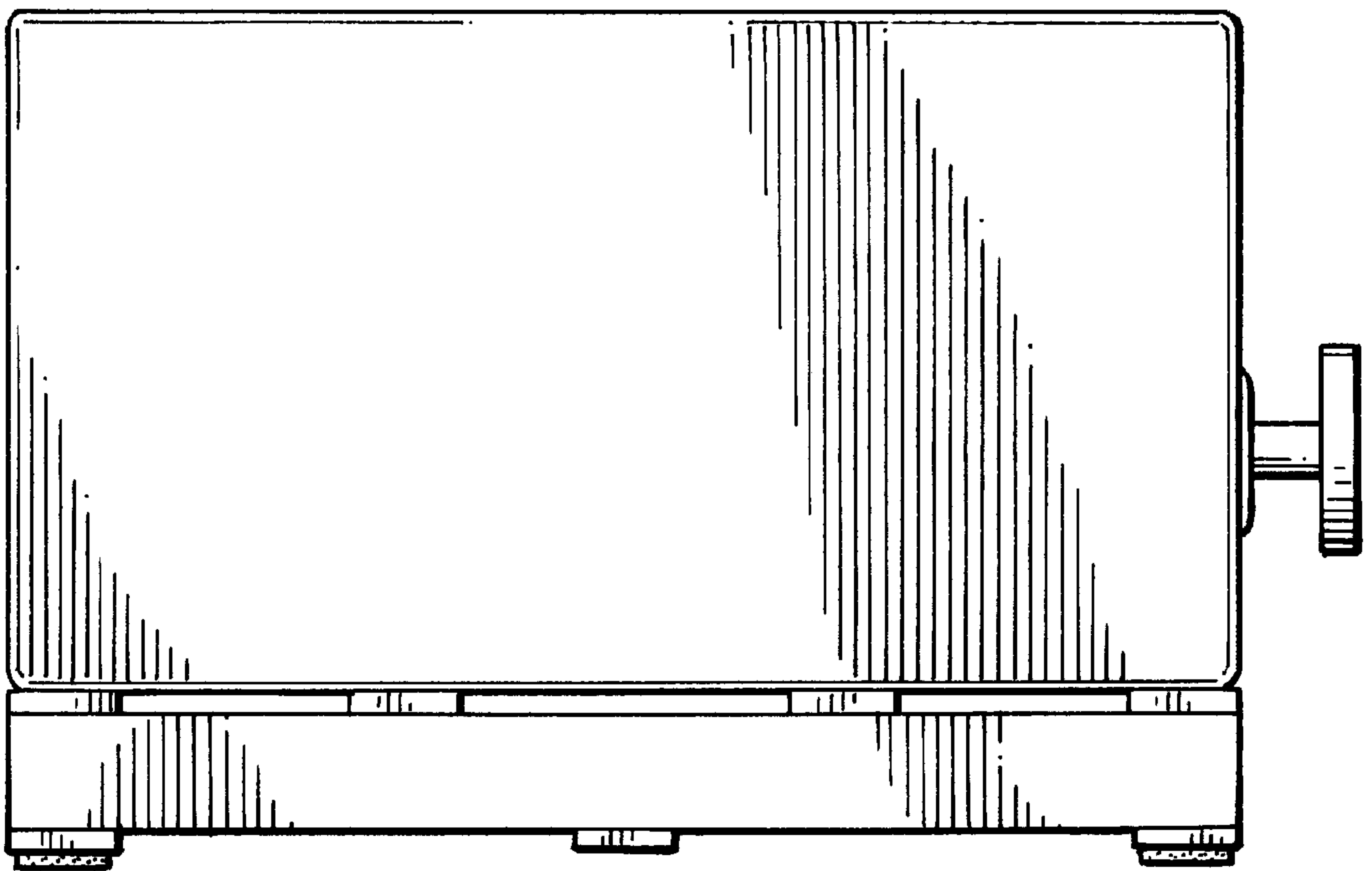


FIG. 6