



US00D460772S

(12) **United States Design Patent**
Apothéloz

(10) **Patent No.:** **US D460,772 S**

(45) **Date of Patent:** **** Jul. 23, 2002**

(54) **MICROSCOPE**

(75) **Inventor:** **Christophe Apothéloz, Gockhausen (CH)**

(73) **Assignee:** **Leica Microsystems AG, Wetzlar (DE)**

(**) **Term:** **14 Years**

(21) **Appl. No.:** **29/152,684**

(22) **Filed:** **Dec. 27, 2001**

Related U.S. Application Data

(62) Division of application No. 29/132,494, filed on Nov. 13, 2000.

(30) **Foreign Application Priority Data**

May 12, 2000 (DE) 4 00 04 640

(51) **LOC (7) Cl.** **16-06**

(52) **U.S. Cl.** **D16/131**

(58) **Field of Search** D16/130, 131;
359/382, 383, 384, 802, 804, 809, 810,
811, 816, 376, 379, 381, 385

(56) **References Cited**

U.S. PATENT DOCUMENTS

2,967,456 A * 1/1961 Maier 359/376 X
D198,104 S * 4/1964 Armbruster D16/131
3,260,157 A * 7/1966 Boughton 359/379

4,283,111 A * 8/1981 Wieber et al. 359/381
D290,129 S * 6/1987 Kahute D16/131
D299,357 S * 1/1989 Garnich et al. D16/131
5,119,233 A * 6/1992 Hayashi 359/385 X
D367,869 S * 3/1996 Hofmann-Igl et al. D16/131
D439,258 S * 3/2001 Kawahata D16/131
D440,996 S * 4/2001 Takanashi D16/131

* cited by examiner

Primary Examiner—Paula A. Mortimer

(74) *Attorney, Agent, or Firm*—Crowell & Moring LLP

(57) **CLAIM**

The ornamental design for a microscope, as shown and described.

DESCRIPTION

FIG. 1 is a front perspective view of a microscope according to my novel design;

FIG. 2 is a front view of the microscope according to my novel design;

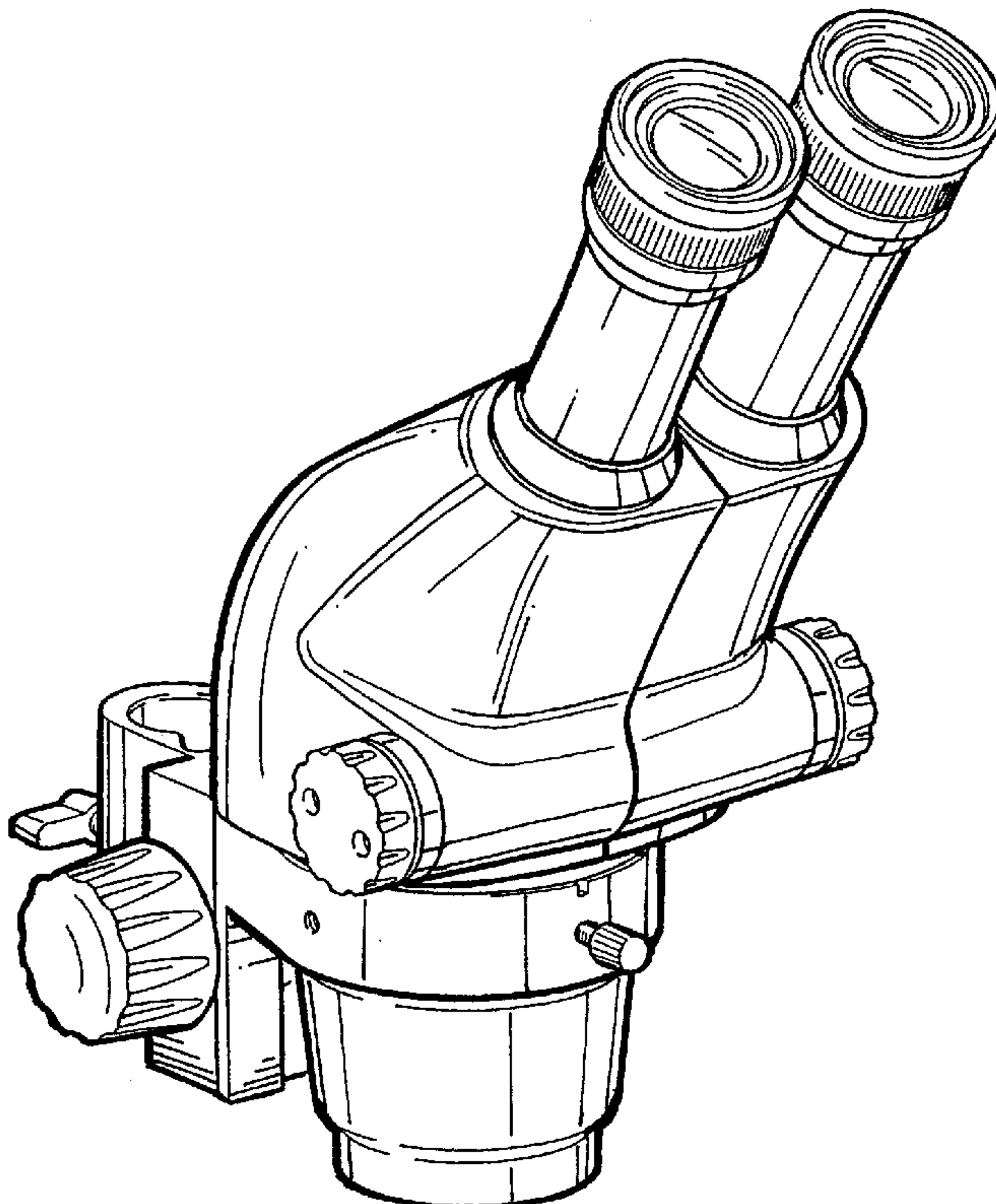
FIG. 3 is a rear view of the microscope according to my novel design;

FIG. 4 is a right side view of the microscope according to my novel design, the left side view being mirror symmetrical;

FIG. 5 is a top view of the microscope according to my novel design; and,

FIG. 6 is a bottom view of the microscope according to my novel design.

1 Claim, 3 Drawing Sheets



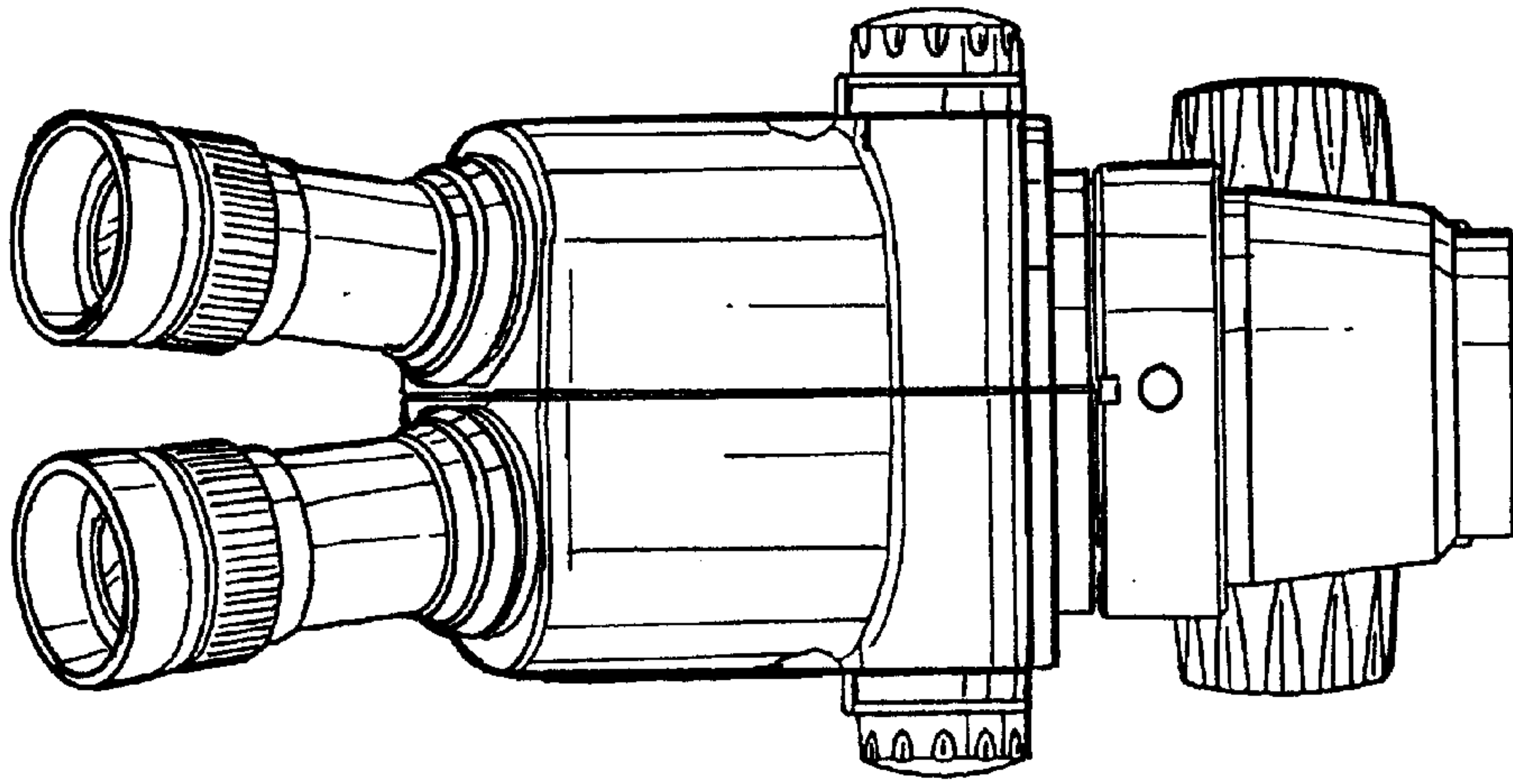


FIG. 2

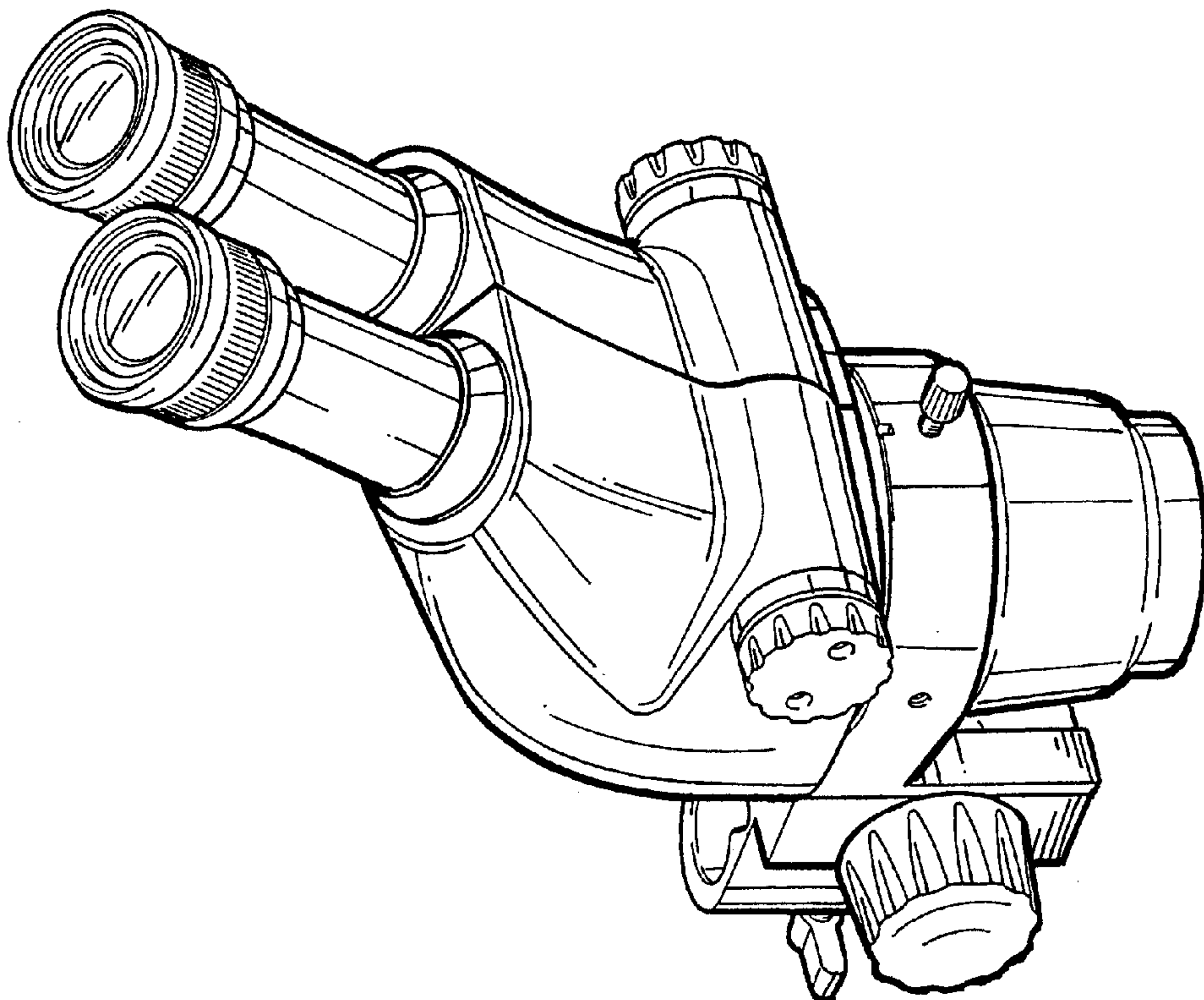


FIG. 1

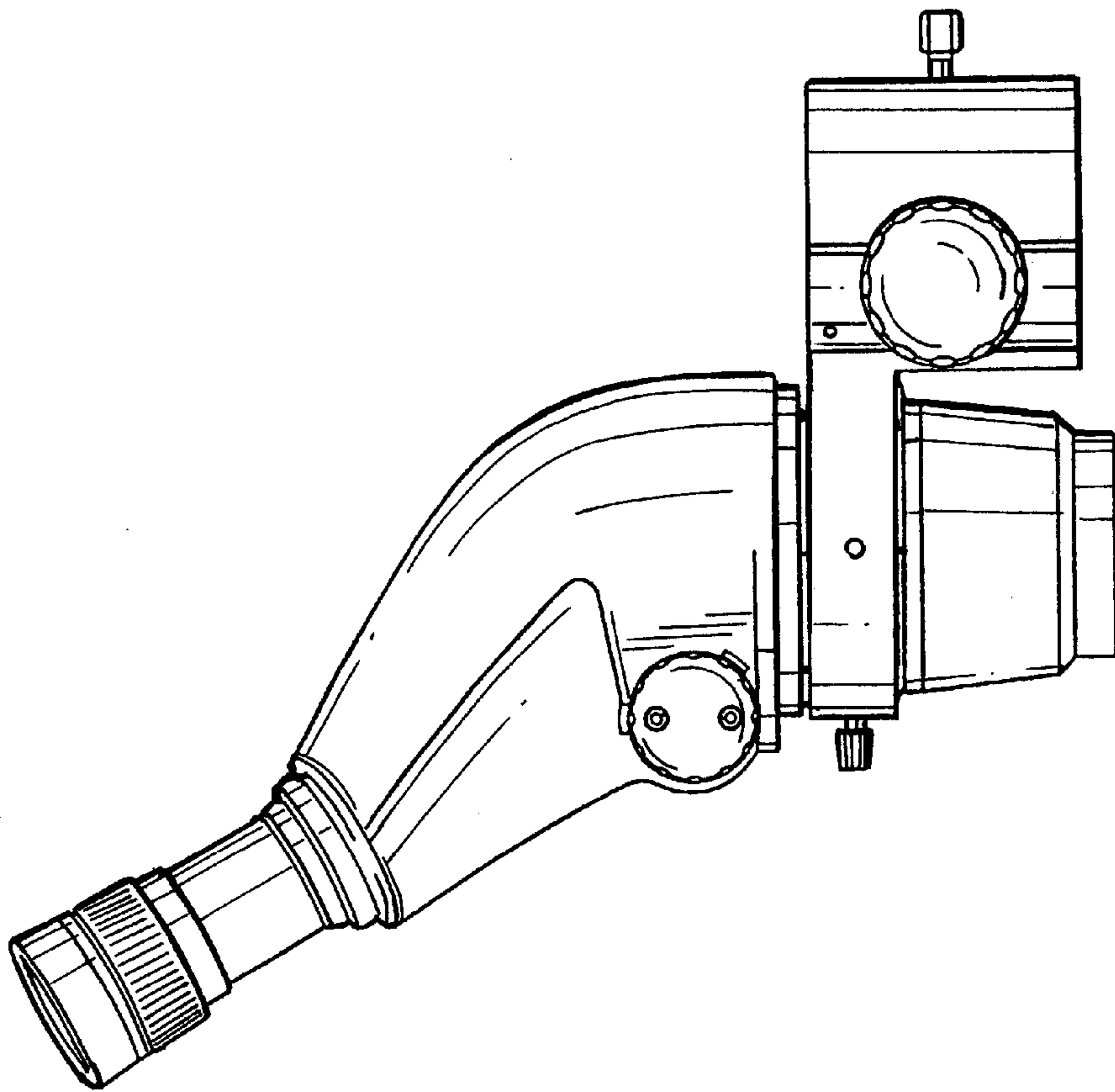


FIG. 4

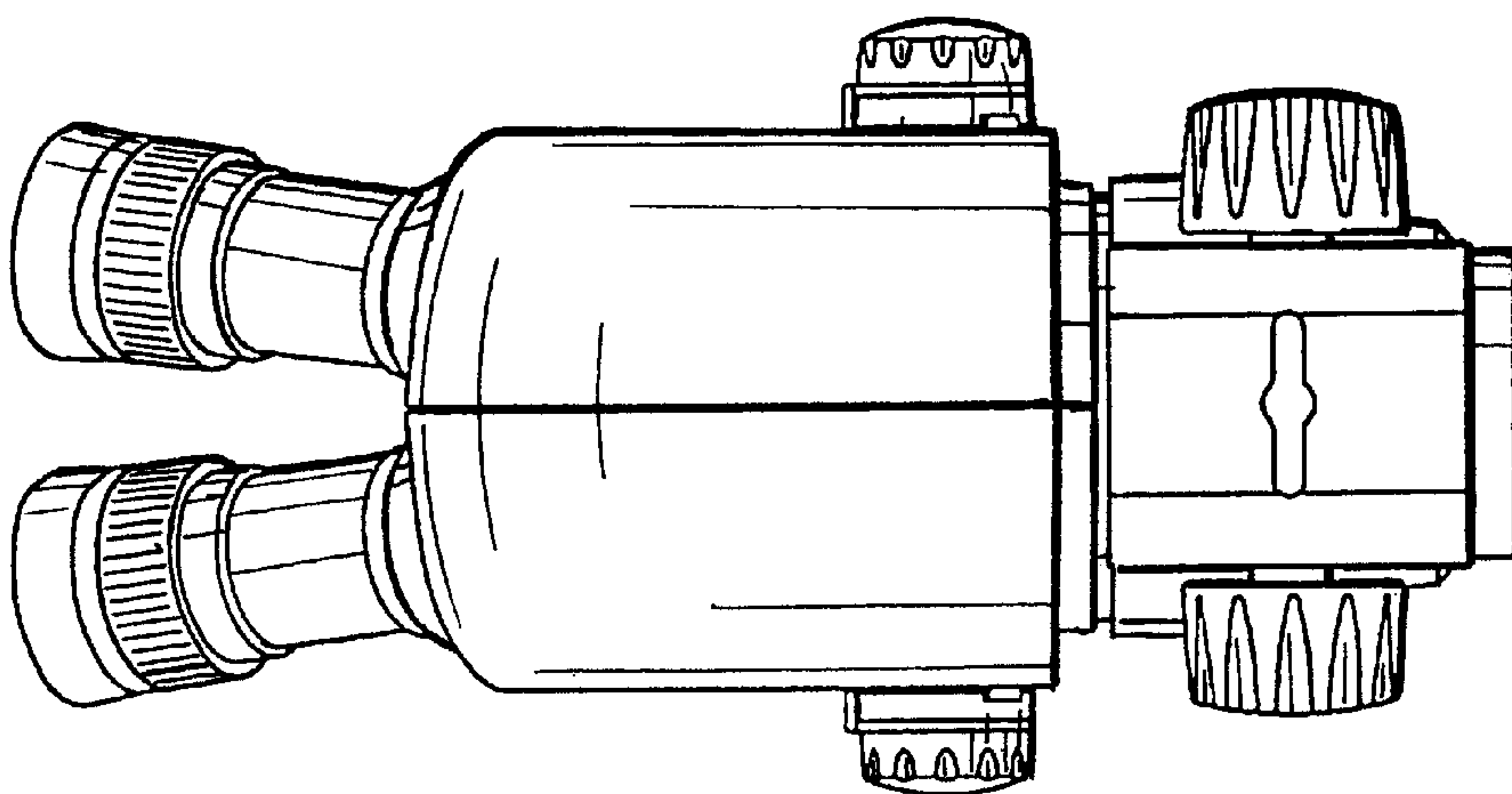


FIG. 3

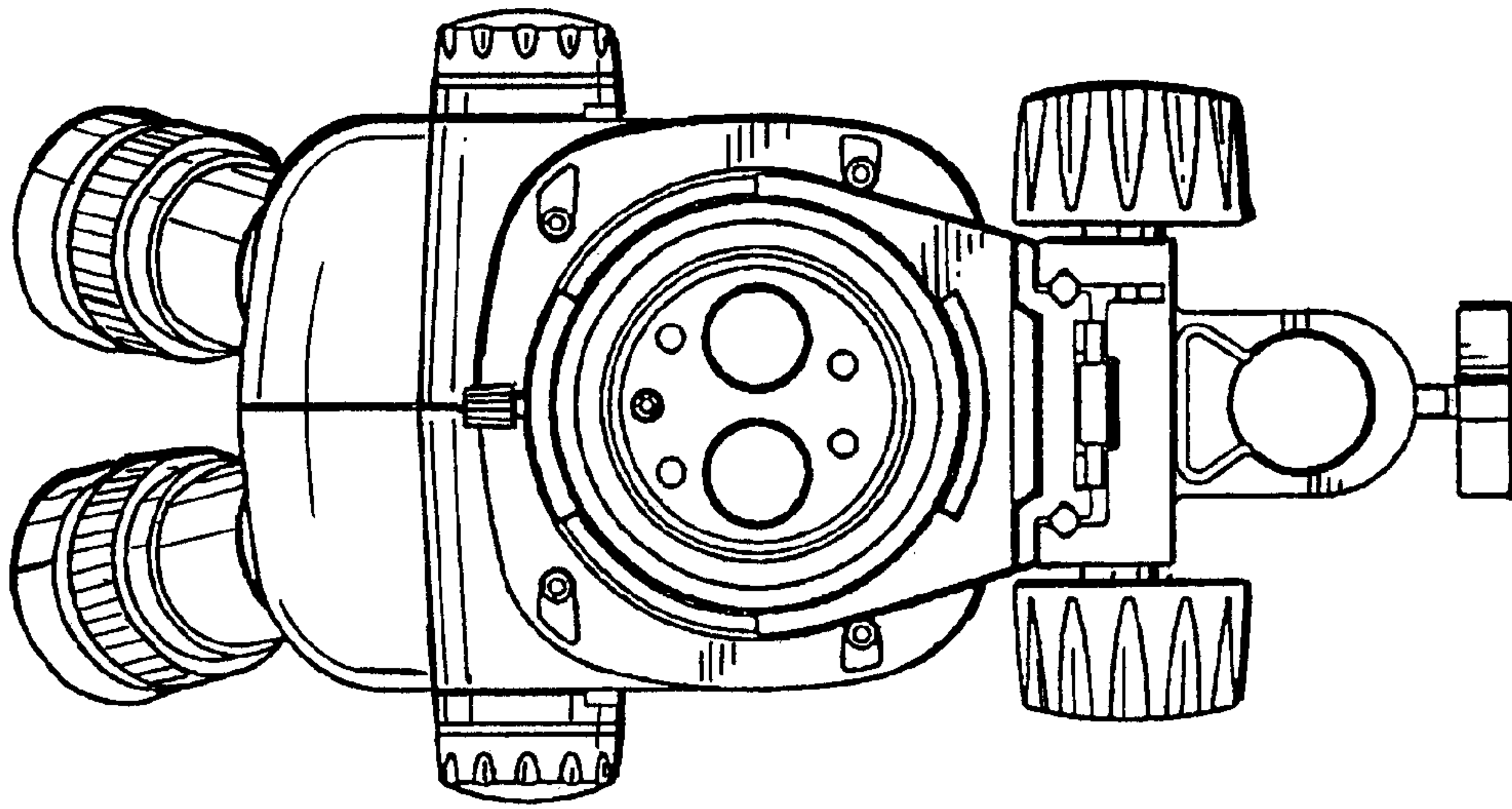


FIG. 6

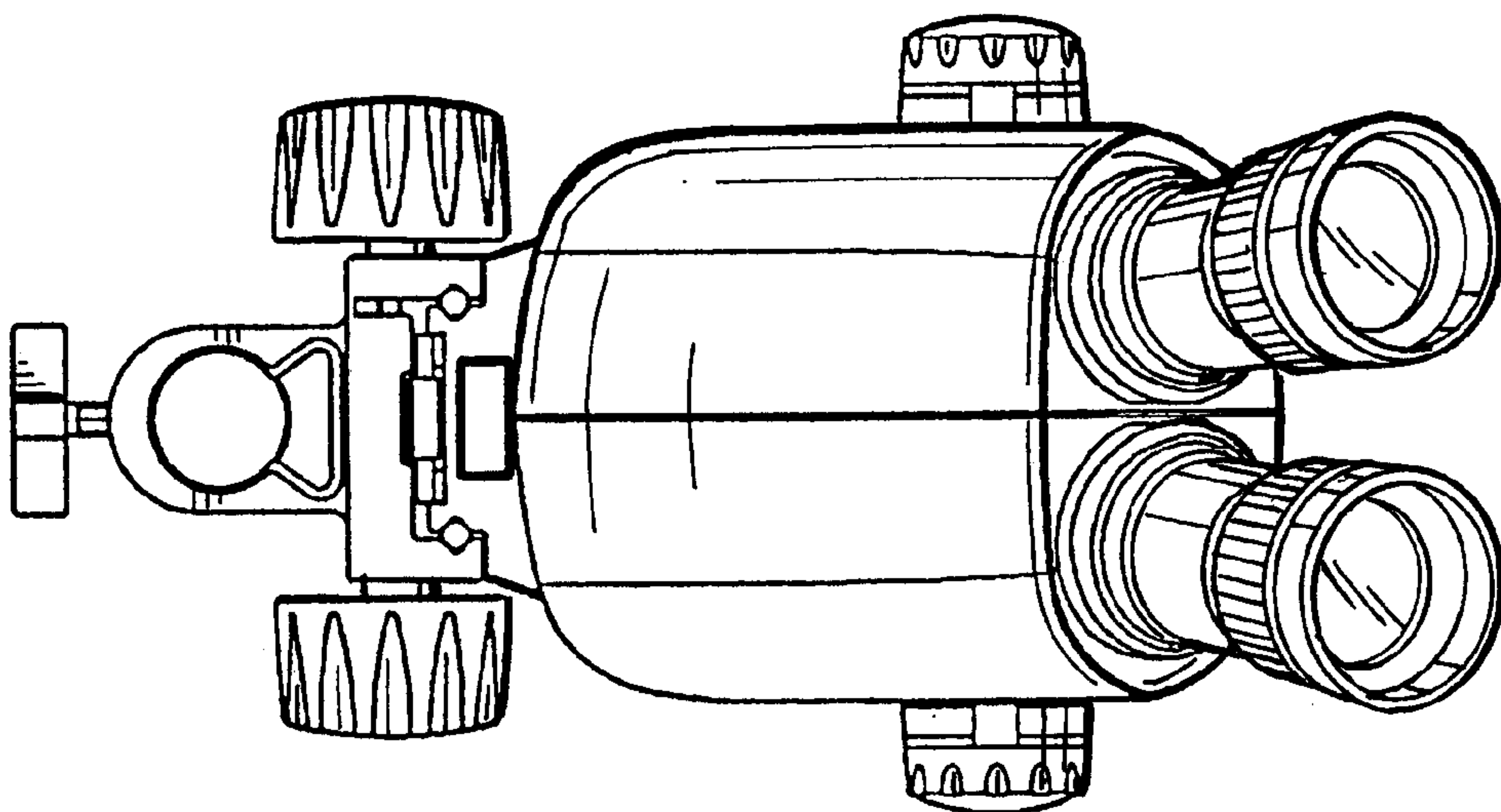


FIG. 5

UNITED STATES PATENT AND TRADEMARK OFFICE
CERTIFICATE OF CORRECTION

PATENT NO. : Des. 460,772 S
DATED : July 23, 2002
INVENTOR(S) : Christophe Apothéloz

Page 1 of 1

It is certified that error appears in the above-identified patent and that said Letters Patent is hereby corrected as shown below:

Title page.

Item [73], Assignee, please replace "Wetzlar (DE)", with -- Heerbrugg (CH) --.

Signed and Sealed this

Twentieth Day of September, 2005

A handwritten signature in black ink on a light gray dotted background. The signature reads "Jon W. Dudas" in a cursive style.

JON W. DUDAS

Director of the United States Patent and Trademark Office