



US00D460771S

(12) **United States Design Patent**
Kung

(10) **Patent No.:** **US D460,771 S**

(45) **Date of Patent:** **** Jul. 23, 2002**

(54) **PERISCOPES**

4,887,893 A * 12/1989 Dahlgren 359/857
D347,440 S * 5/1994 Holznagel D16/130

(76) Inventor: **Su-Min Kung**, 8F., No.276-2, Sec.1,
Ta-Tung Rd., Hsi Chin City, Taipei
Hsien (TW)

* cited by examiner

(**) Term: **14 Years**

Primary Examiner—Paula A. Mortimer
(74) *Attorney, Agent, or Firm*—Pro-Techtor International
Services

(21) Appl. No.: **29/152,600**

(57) **CLAIM**

(22) Filed: **Dec. 20, 2001**

The ornamental design for periscopes, as shown.

(51) **LOC (7) Cl.** **16-99**

DESCRIPTION

(52) **U.S. Cl.** **D16/130**

(58) **Field of Search** D16/130-136;
359/402, 403, 406, 429, 857; 446/219;
D21/403; D22/139

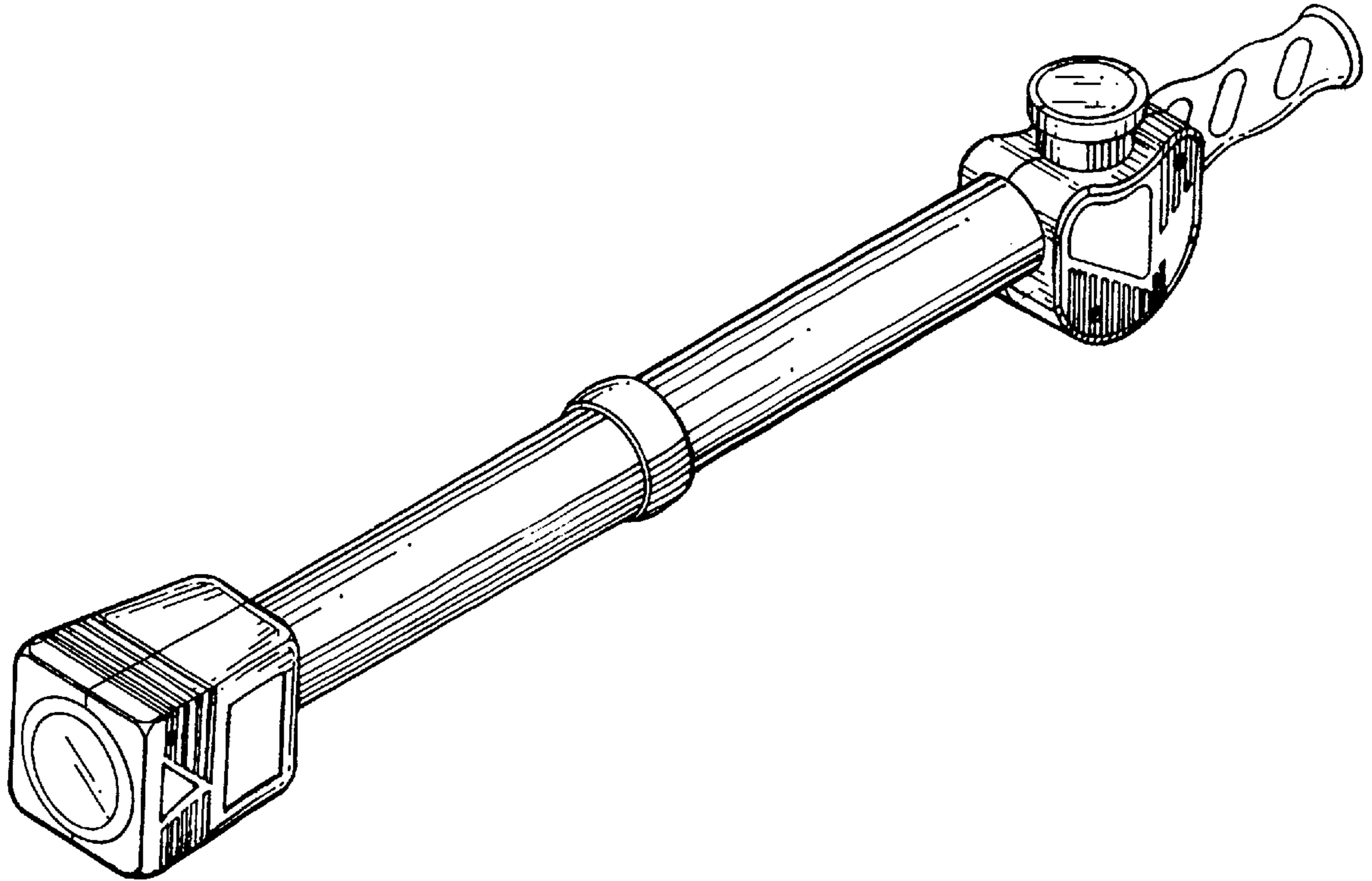
FIG. 1 is a perspective view of my new design;
FIG. 2 is a front elevation view thereof;
FIG. 3 is a rear elevation view thereof;
FIG. 4 is a right side elevation view thereof;
FIG. 5 is a left side elevation view thereof;
FIG. 6 is a top view thereof;
FIG. 7 is a bottom view thereof; and,
FIG. 8 is a perspective view thereof being in use.

(56) **References Cited**

U.S. PATENT DOCUMENTS

778,694 A * 12/1904 Mustin 359/402
D236,284 S * 8/1975 Miller D16/130
D279,131 S * 6/1985 McDaris D16/130 X

1 Claim, 5 Drawing Sheets



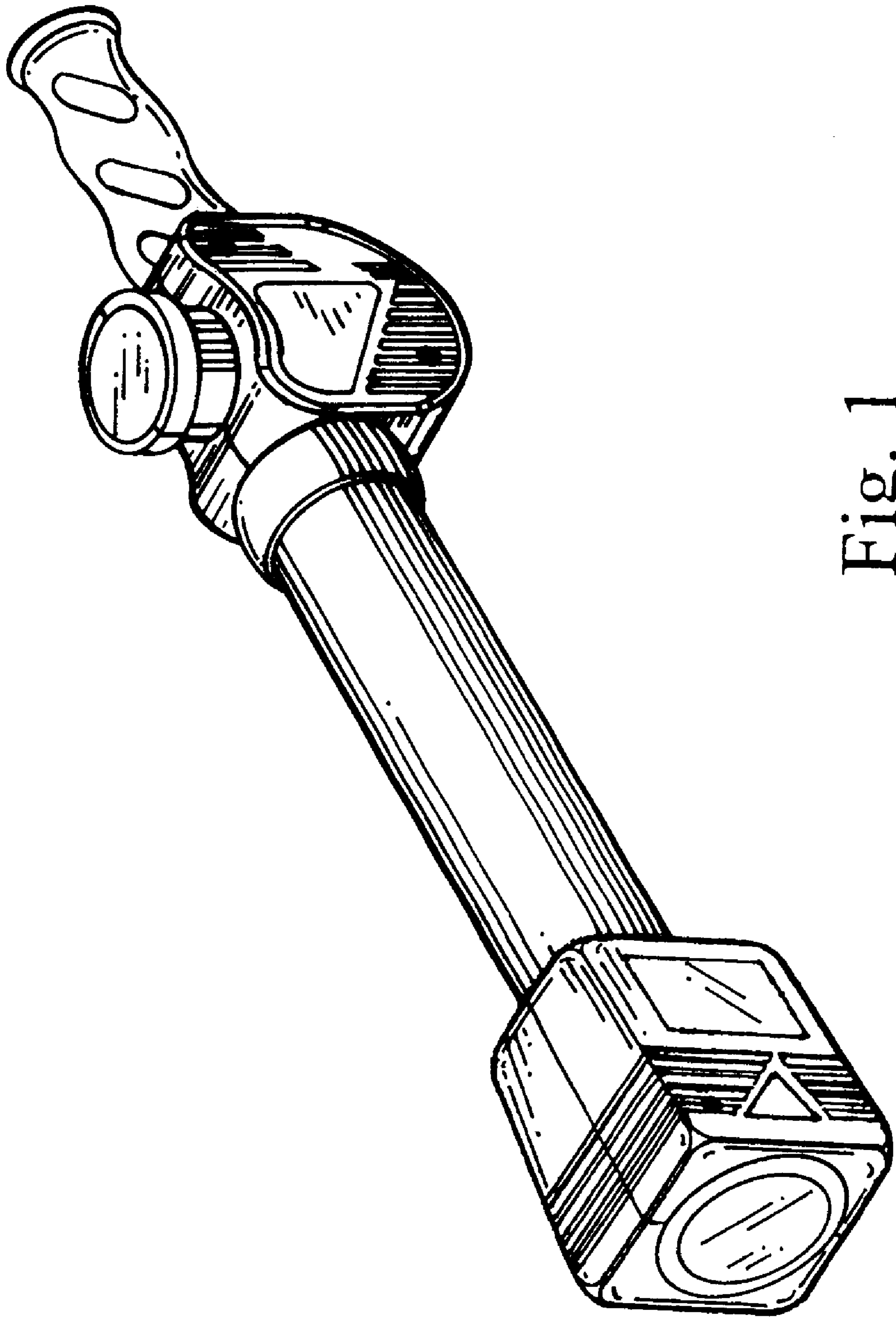


Fig. 1

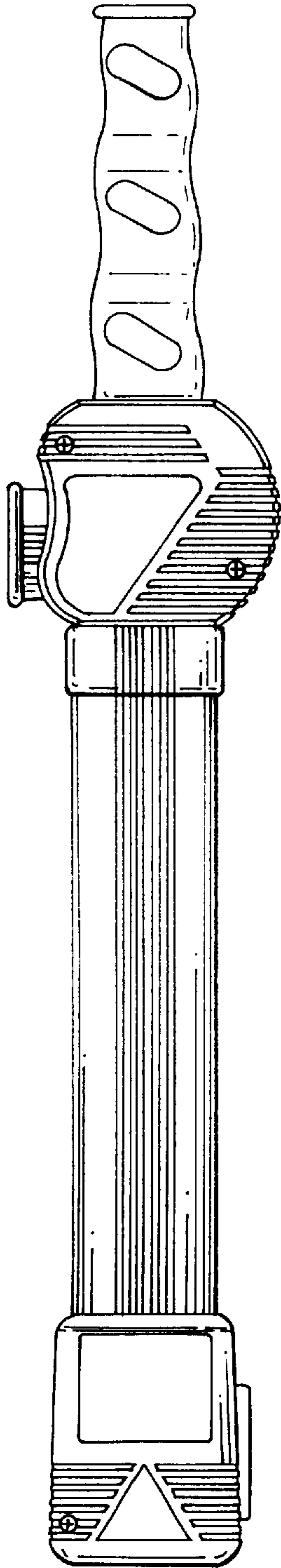


Fig. 2

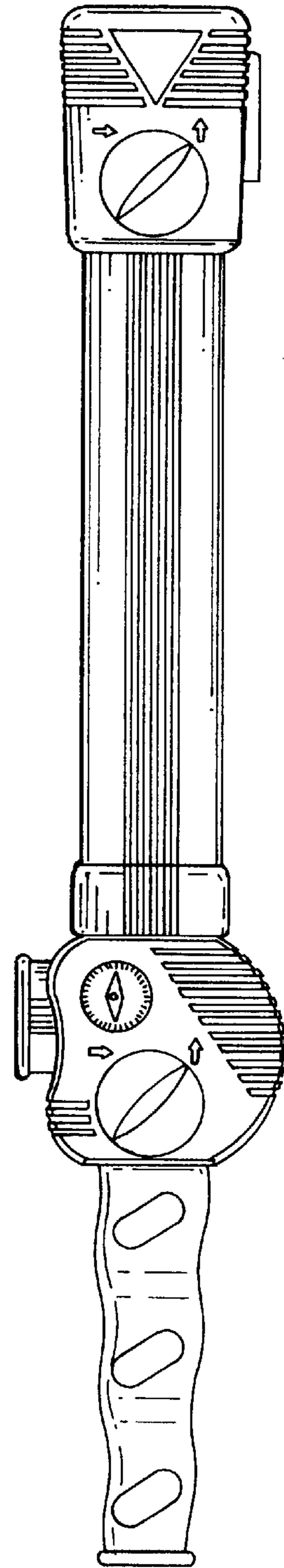


Fig. 3

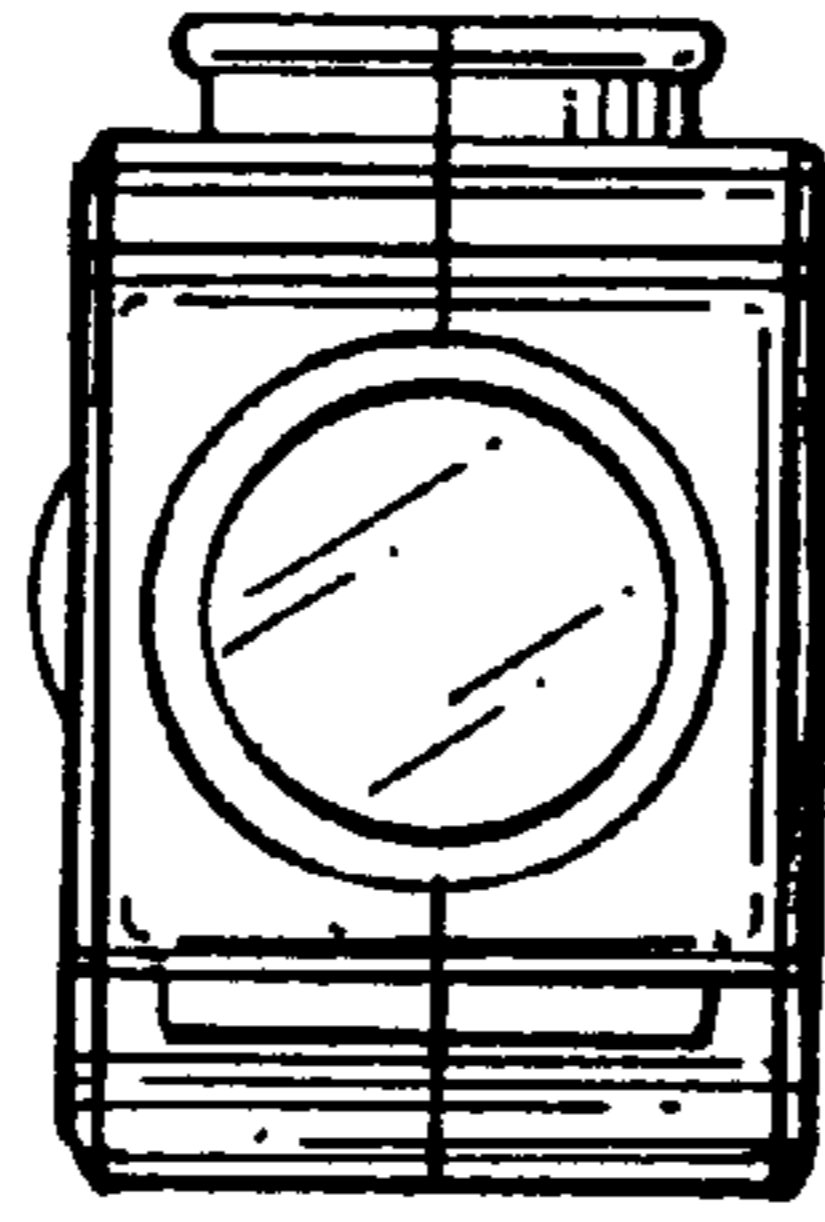


Fig. 4

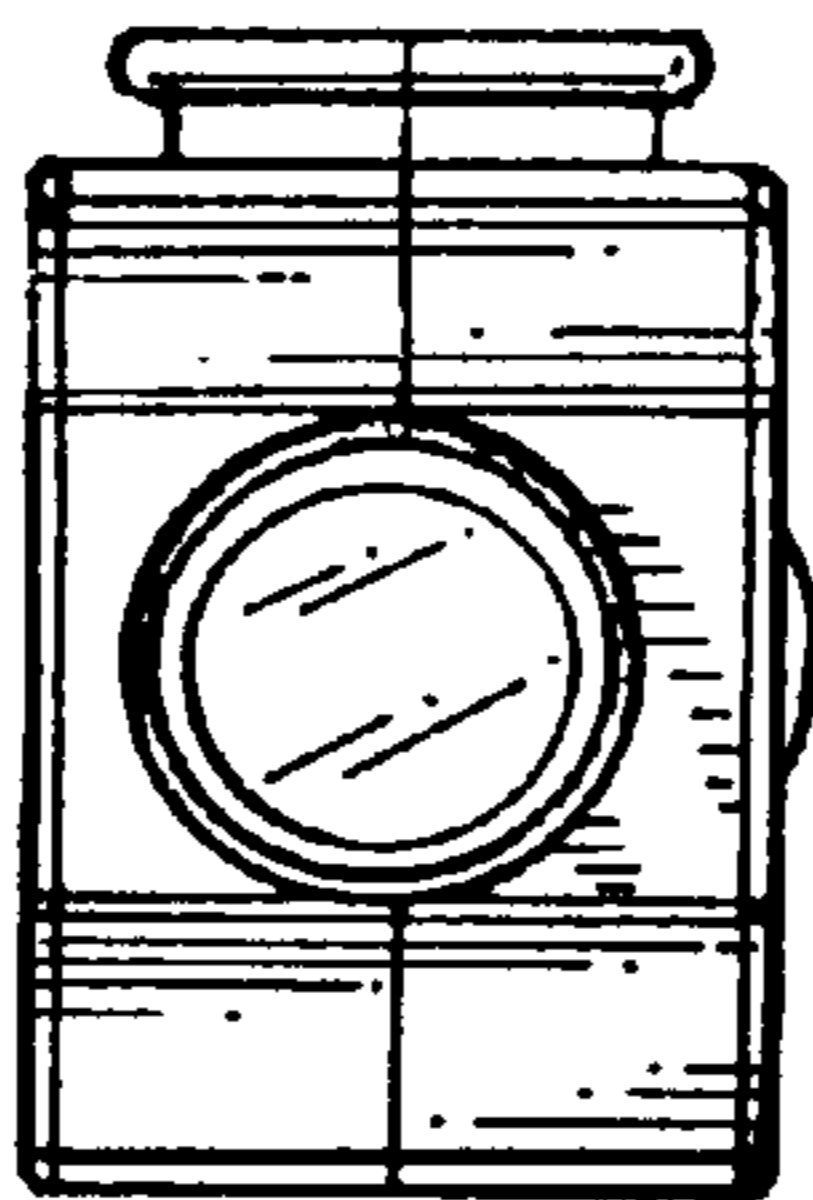


Fig. 5

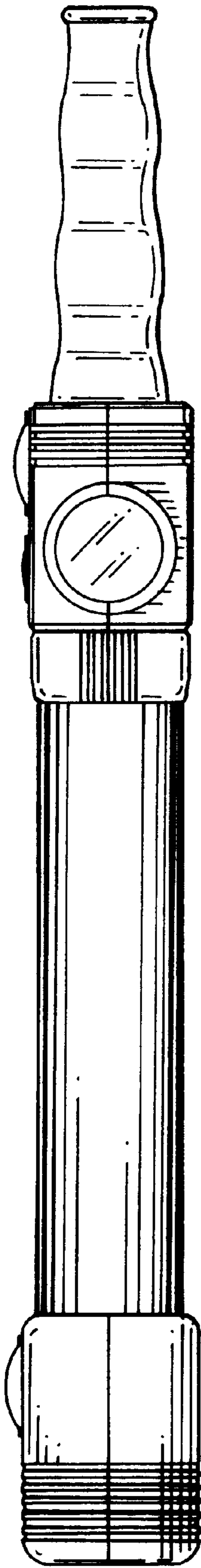


Fig. 6

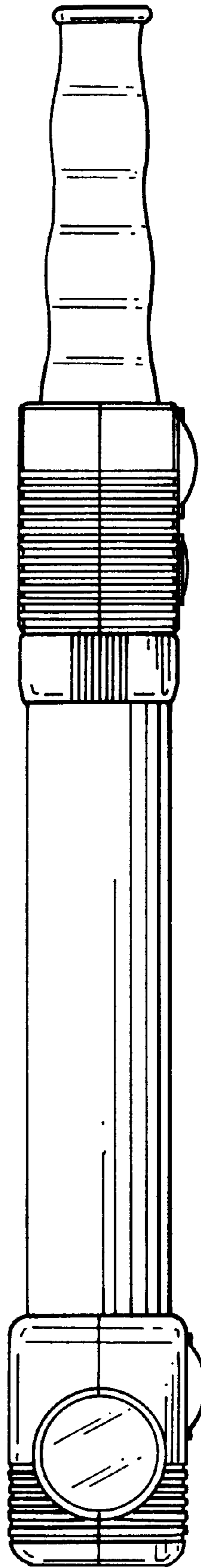


Fig. 7

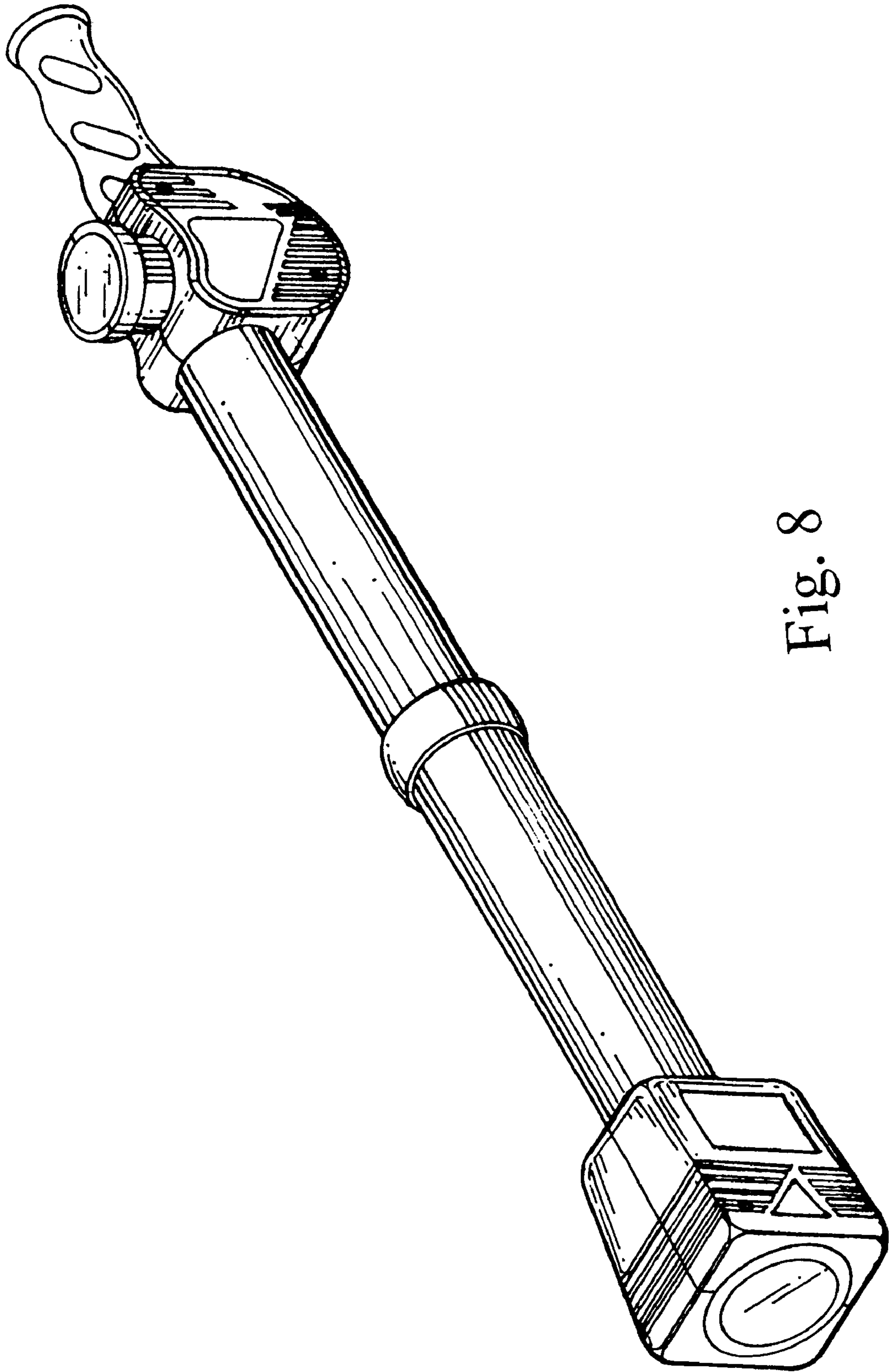


Fig. 8