



US00D460770S

(12) **United States Design Patent**
Ochiai

(10) **Patent No.:** **US D460,770 S**

(45) **Date of Patent:** **** Jul. 23, 2002**

(54) **TORQUE LIMITER**

6,328,652 B1 * 12/2001 Ondrus et al. 464/37

(75) Inventor: **Yoshihiro Ochiai, Isesaki (JP)**

FOREIGN PATENT DOCUMENTS

(73) Assignee: **Sanden Corporation, Gunma (JP)**

GB	751383	6/1956
JP	63142460	9/1988
JP	639105	10/1994
JP	08135752	5/1996
JP	09004564	1/1997

(**) Term: **14 Years**

(21) Appl. No.: **29/145,207**

* cited by examiner

(22) Filed: **Jul. 19, 2001**

Primary Examiner—Antoine Duval Davis

(30) **Foreign Application Priority Data**

(74) *Attorney, Agent, or Firm*—Baker Botts L.L.P.

Jan. 19, 2001 (JP) 2001-005011

(57) **CLAIM**

(51) **LOC (7) Cl.** **15-09**

The ornamental design for a torque limiter, as shown.

(52) **U.S. Cl.** **D15/143**

DESCRIPTION

(58) **Field of Search** D15/148; 464/29,
464/30, 36, 37-39; 192/56.62

FIG. 1 is a front view of a torque limiter, according to an embodiment of the design.

(56) **References Cited**

U.S. PATENT DOCUMENTS

1,767,566 A	6/1930	Updike	
1,941,061 A	12/1933	Thiry	
2,356,842 A	8/1944	Helmond	
3,058,321 A	10/1962	Aske	
3,654,777 A	4/1972	Grundman	
3,718,009 A	2/1973	Perina	
4,748,865 A	6/1988	Umezawa et al.	
5,377,962 A	1/1995	Ochs et al.	
5,516,331 A	5/1996	Morr et al.	
5,564,981 A	10/1996	Iwabuchi et al.	
5,704,839 A	1/1998	Michael et al.	
5,944,156 A	8/1999	Hatakeyama	
6,206,784 B1 *	3/2001	Kato	464/36
6,296,572 B1 *	10/2001	Kimura et al.	464/29
6,309,304 B1 *	10/2001	Ondrus et al.	464/37

FIG. 2 is a rear view of the torque limiter of FIG. 1, according to an embodiment of the design.

FIG. 3 is a right side view of the torque limiter of FIG. 1, according to an embodiment of the design.

FIG. 4 is a left side view of the torque limiter of FIG. 1, according to an embodiment of the design.

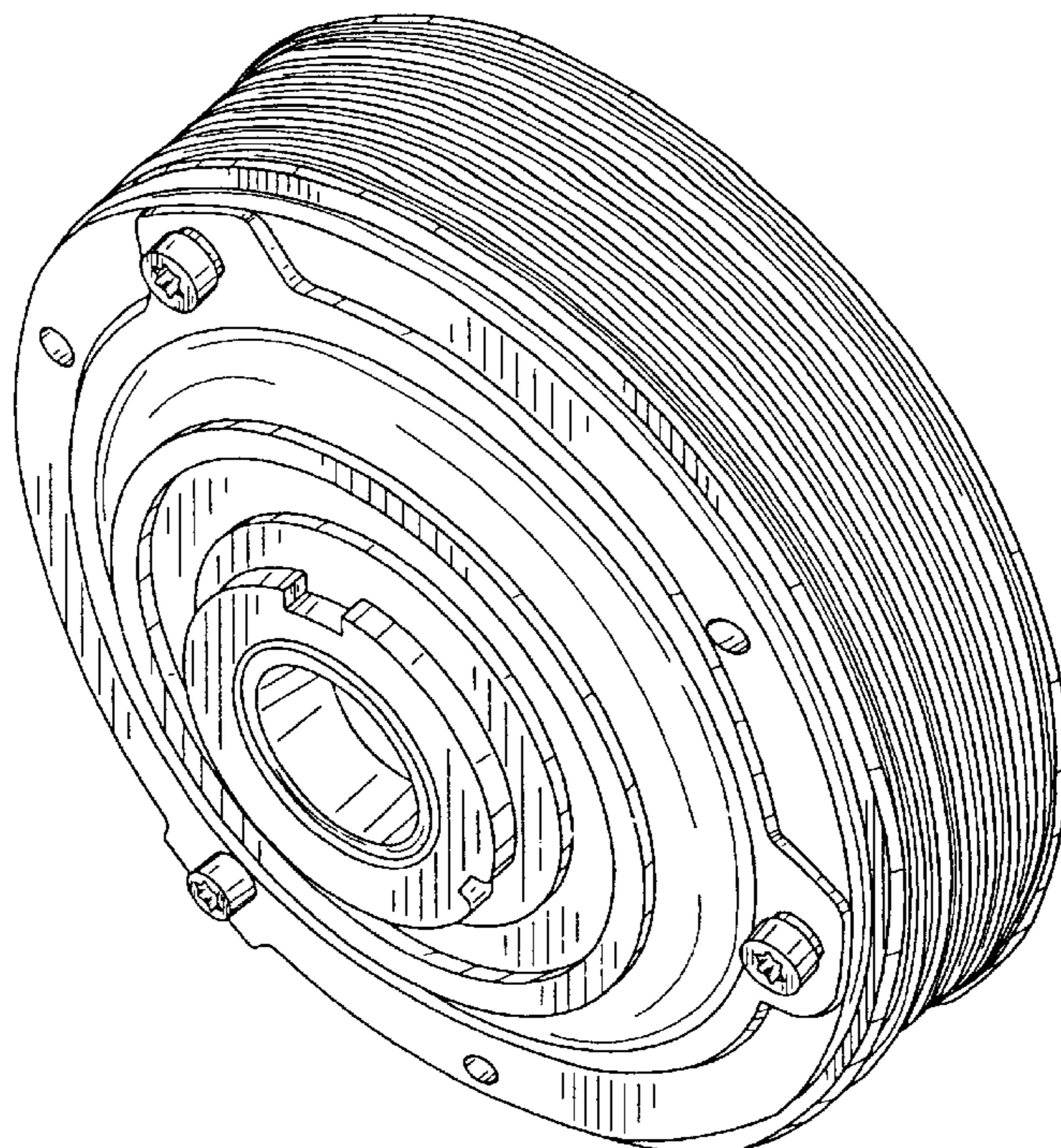
FIG. 5 is a top view of the torque limiter of FIG. 1, according to an embodiment of the design.

FIG. 6 is a bottom view of the torque limiter of FIG. 1, according to an embodiment of the design.

FIG. 7 is a front perspective view of the torque limiter of FIG. 1, according to an embodiment of the design; and,

FIG. 8 is a rear perspective view of the torque limiter of FIG. 1, according to an embodiment of the design.

1 Claim, 3 Drawing Sheets



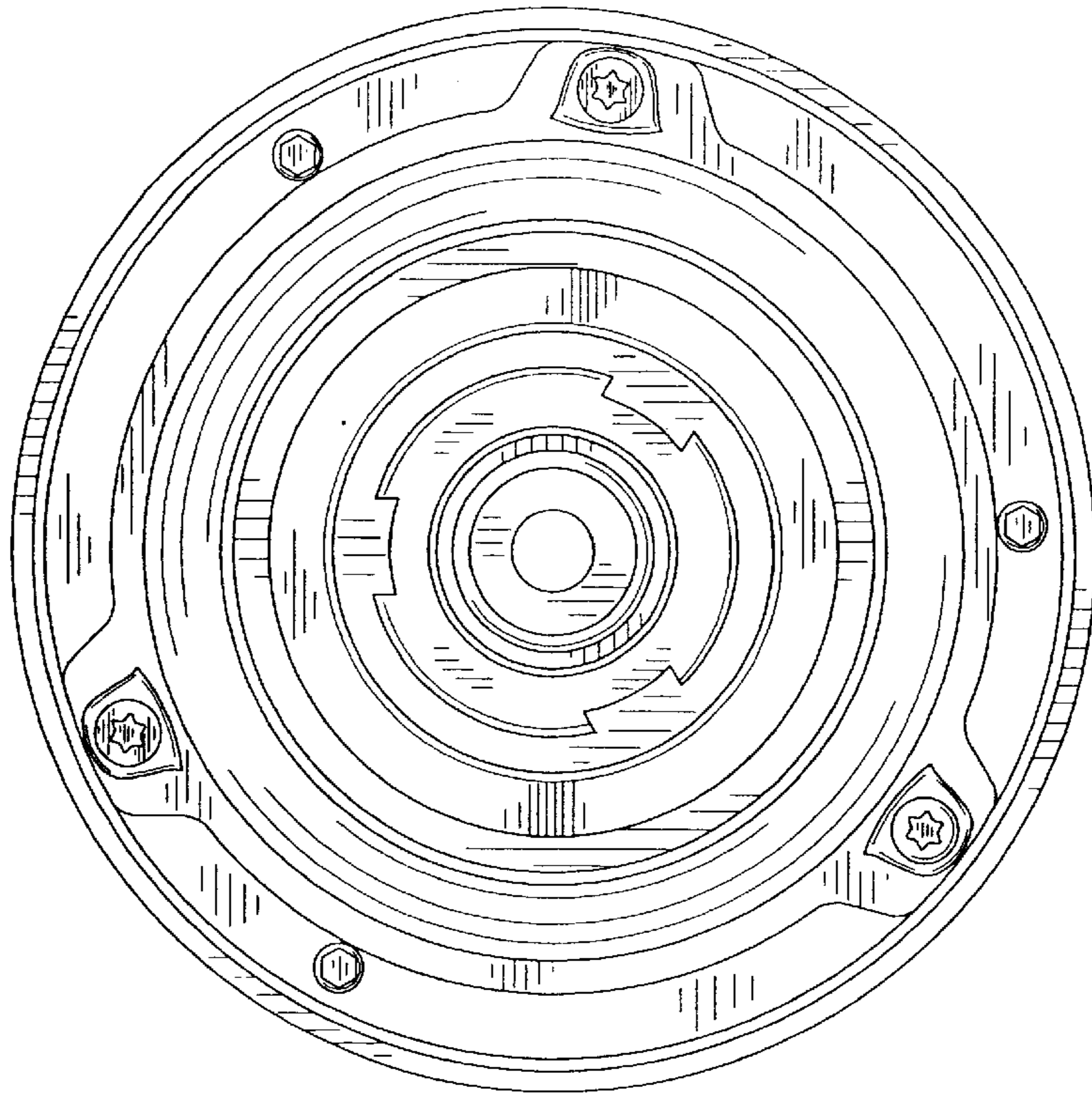


FIG. 1

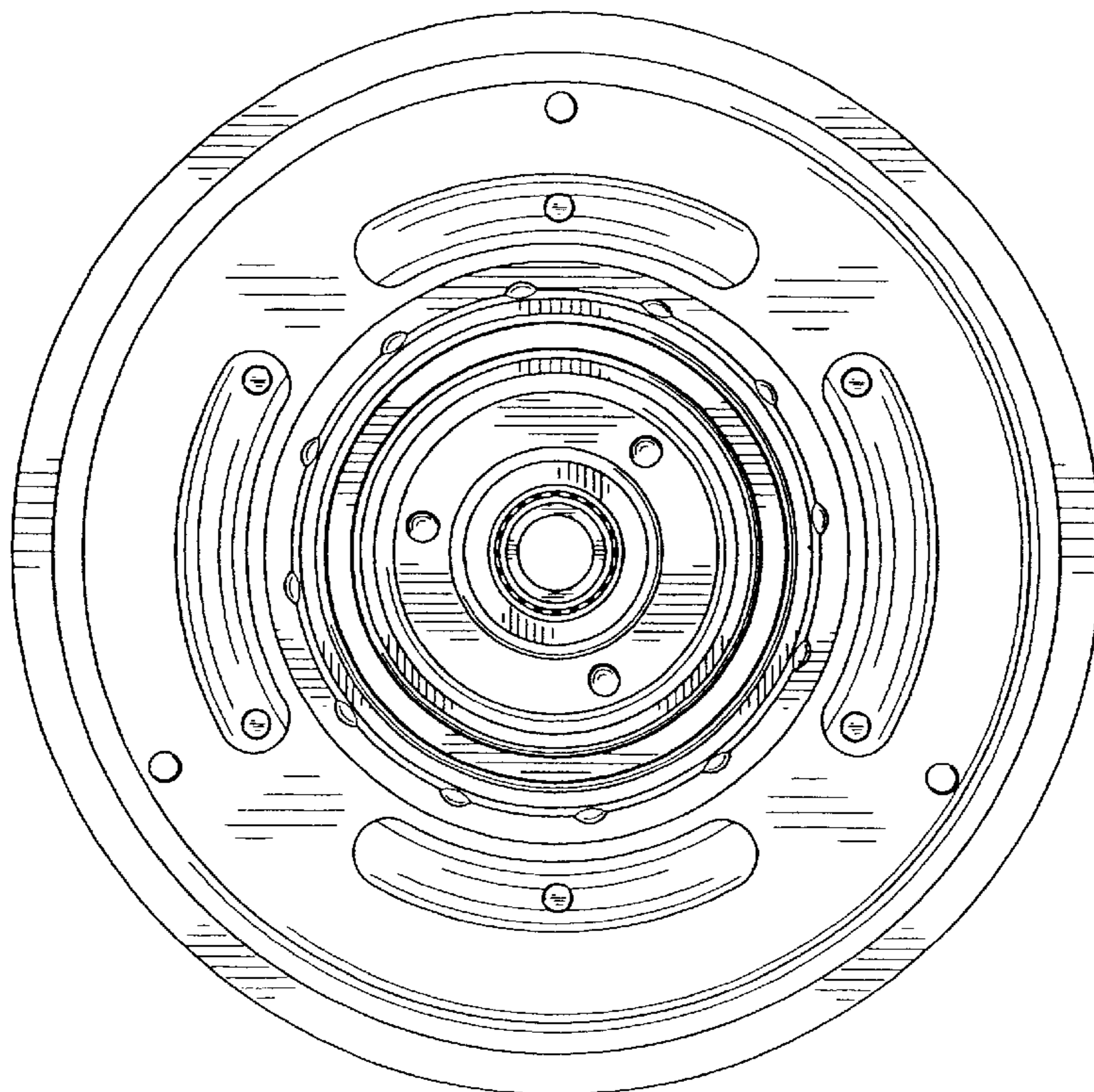


FIG. 2

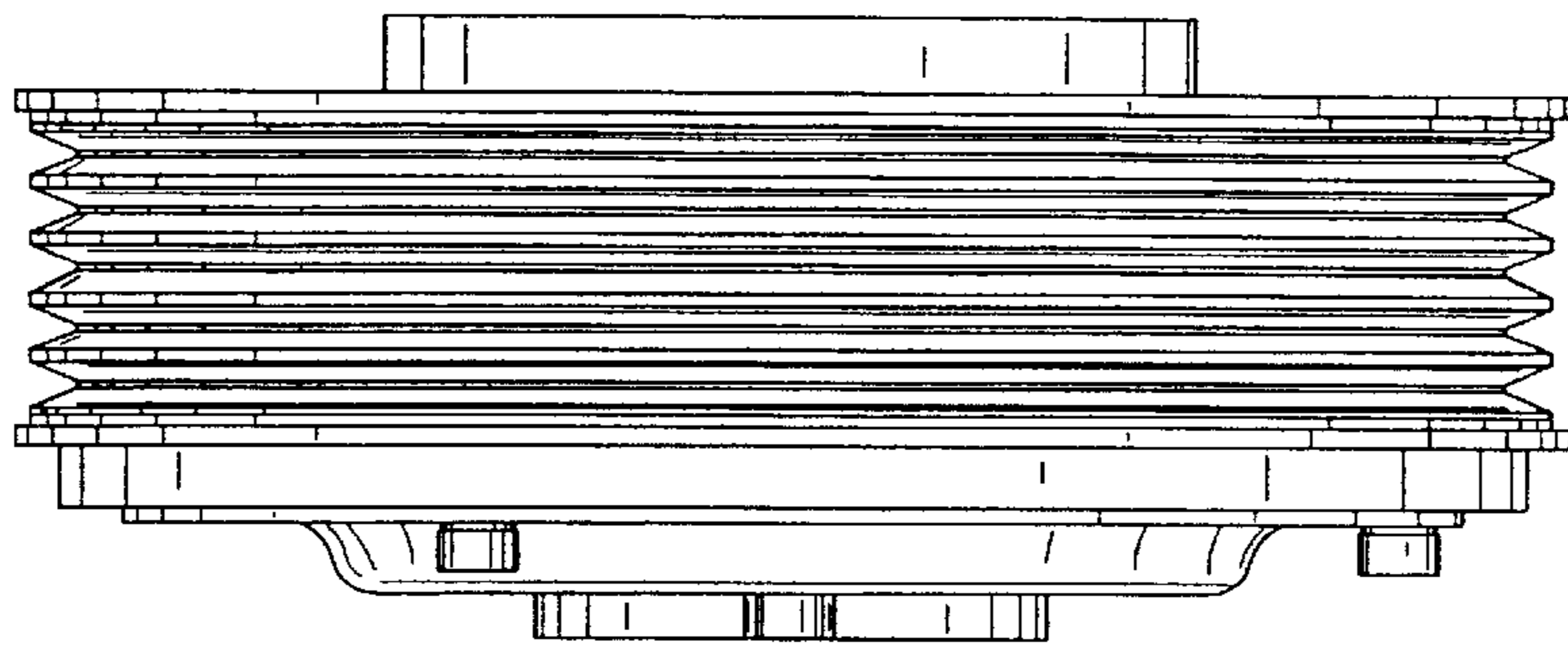


FIG. 3

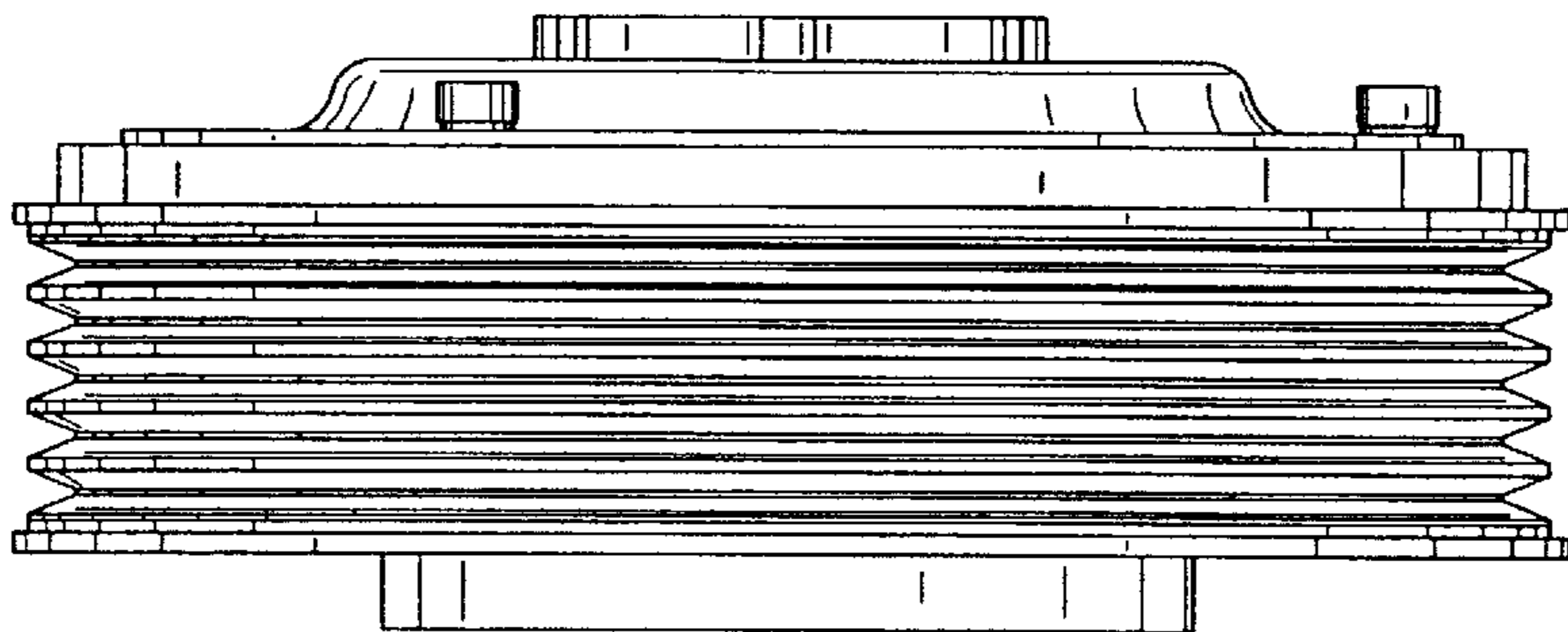


FIG. 4

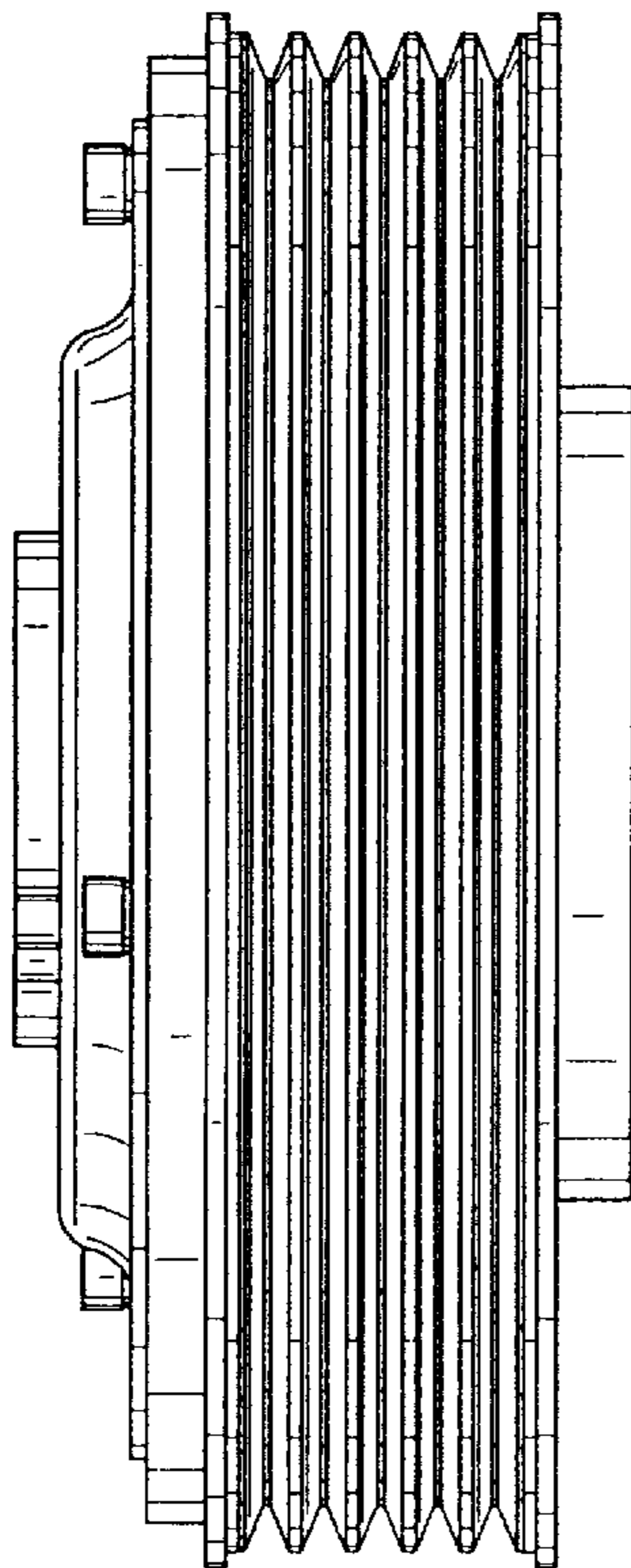


FIG. 5

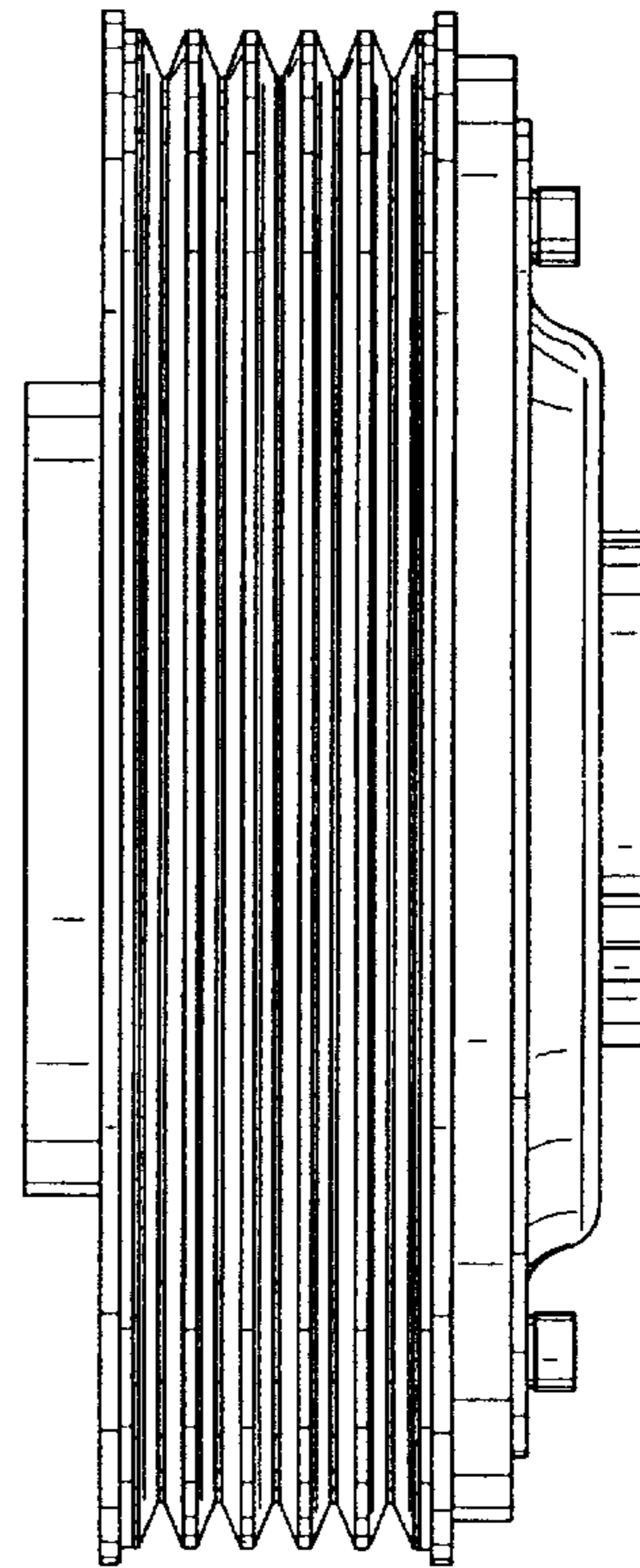


FIG. 6

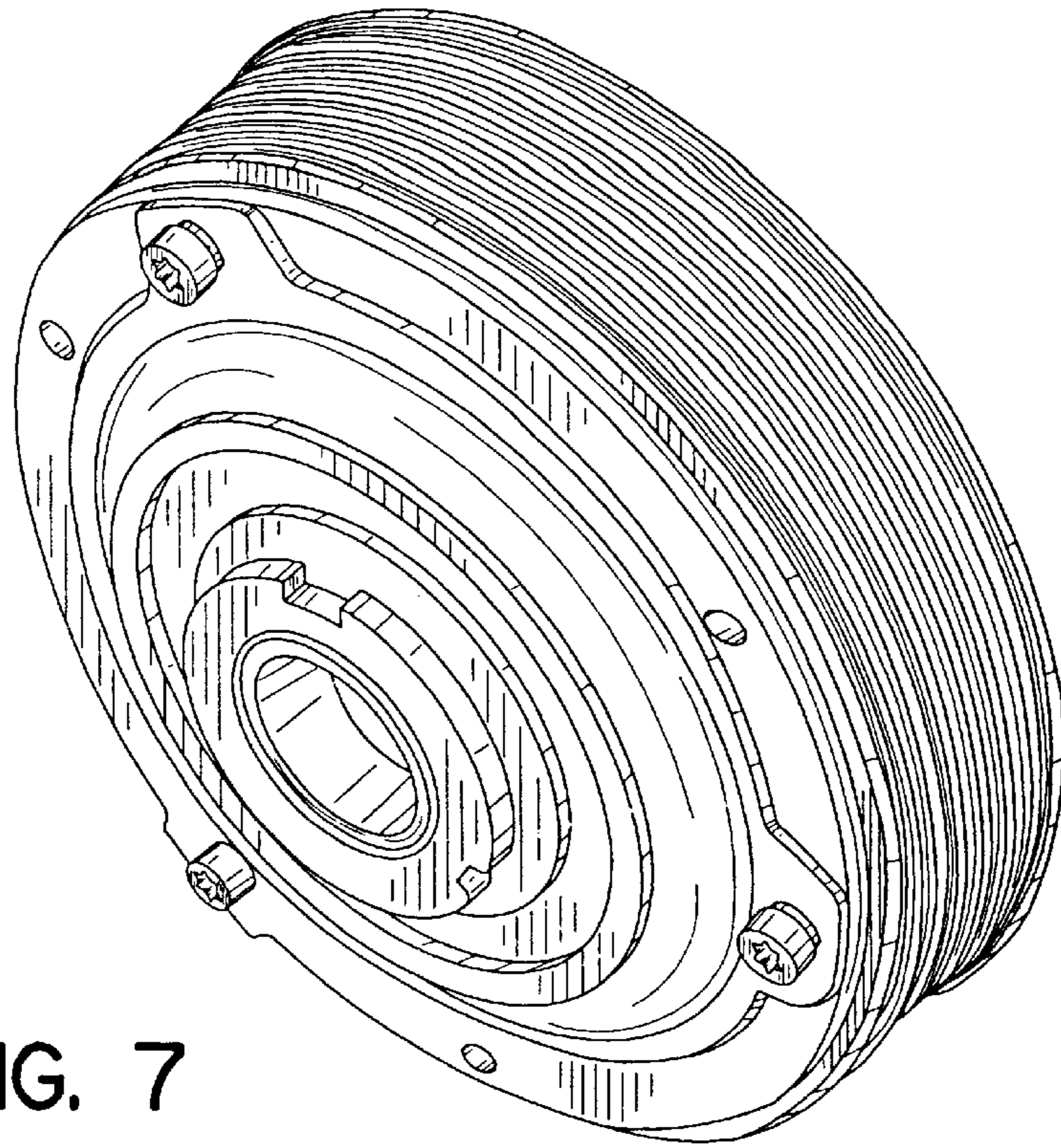


FIG. 7

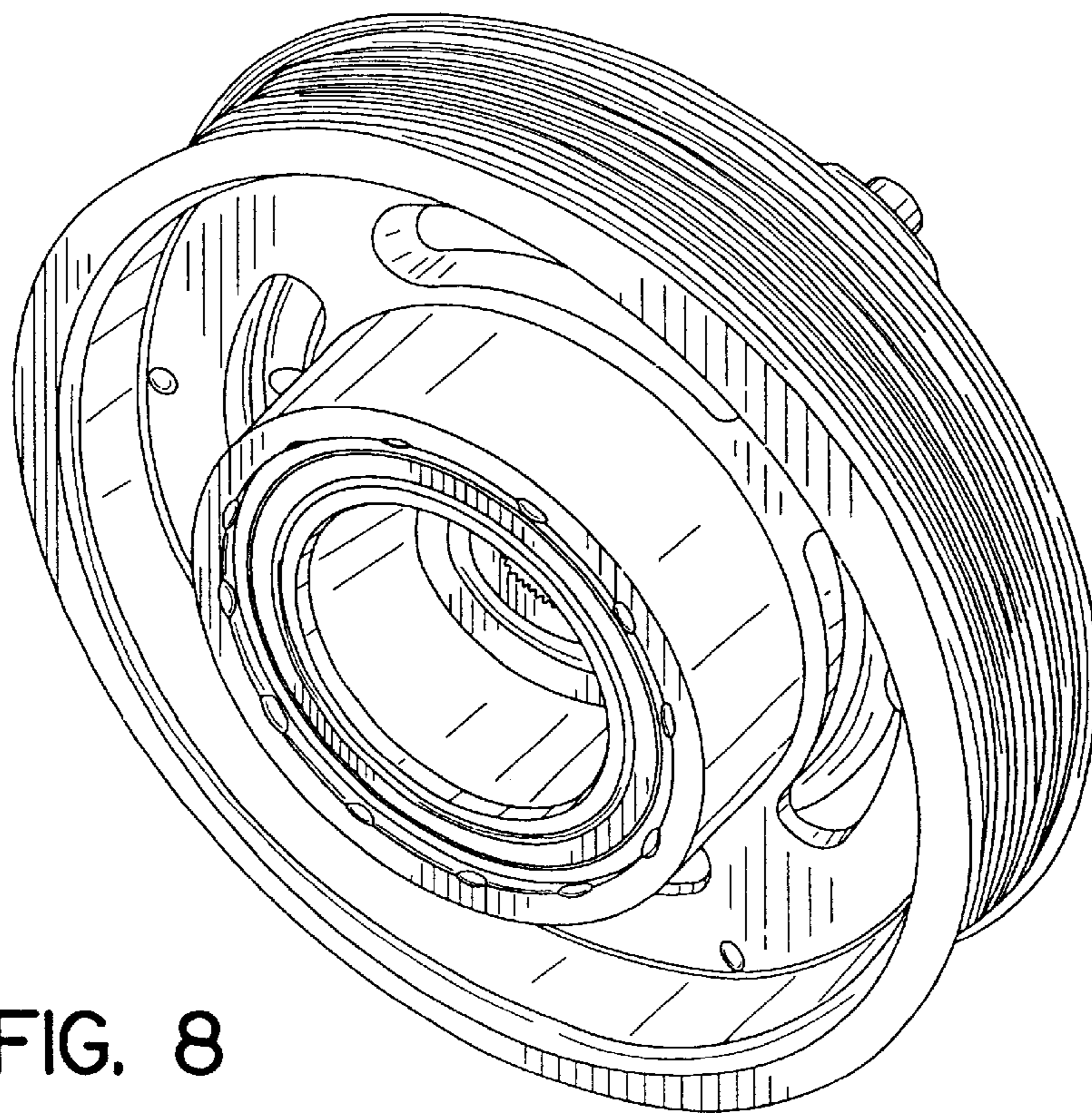


FIG. 8