



US00D460769S

(12) **United States Design Patent**
Sollami

(10) **Patent No.:** **US D460,769 S**
(45) **Date of Patent:** **** Jul. 23, 2002**

(54) **STEEL NOSE QUICK CHANGE BIT HOLDER**

(75) Inventor: **Phillip Sollami**, Herrin, IL (US)

(73) Assignee: **The Sollami Company**, Herrin, IL (US)

(**) Term: **14 Years**

(21) Appl. No.: **29/143,957**

(22) Filed: **Jun. 22, 2001**

(51) **LOC (7) Cl.** **15-09**

(52) **U.S. Cl.** **D15/140**

(58) **Field of Search** D15/140; 299/104-110, 299/111, 113

(56) **References Cited**

U.S. PATENT DOCUMENTS

4,915,455 A	4/1990	O'Neill	
5,106,166 A	4/1992	O'Neill	
5,374,111 A	12/1994	Den Besten	
D420,013 S	2/2000	Warren	
6,176,552 B1 *	1/2001	Topka, Jr. et al.	299/104

* cited by examiner

Primary Examiner—Antoine Duval Davis

(74) *Attorney, Agent, or Firm*—Patnaude & Videbeck

(57) **CLAIM**

The ornamental design for steel nose quick change bit holder, as shown and described.

DESCRIPTION

FIG. 1 is a right side elevational view of a first embodiment of the steel nose quick change bit holder showing my new design,

FIG. 2 is a back side elevational view of the first embodiment thereof,

FIG. 3 is a left side elevational view of the first embodiment thereof,

FIG. 4 is a front elevational view of the first embodiment thereof,

FIG. 5 is a bottom plan view of the first embodiment thereof,

FIG. 6 is a top plan view of the first embodiment thereof,

FIG. 7 is a right side elevational view of a second embodiment of the steel nose quick change bit holder, the only difference being the shape of the conical nose, with all other features being the same,

FIG. 8 is a back side elevational view of the second embodiment thereof,

FIG. 9 is a left side elevational view of the second embodiment thereof,

FIG. 10 is a front elevational view of the second embodiment thereof,

FIG. 11 is a bottom plan view of the second embodiment thereof,

FIG. 12 is a top plan view of the second embodiment thereof,

FIG. 13 is a right side elevational view of a third embodiment of the steel nose quick change bit holder, the only difference being the shape of the conical nose, with all other features being the same,

FIG. 14 is a back side elevational view of the third embodiment thereof,

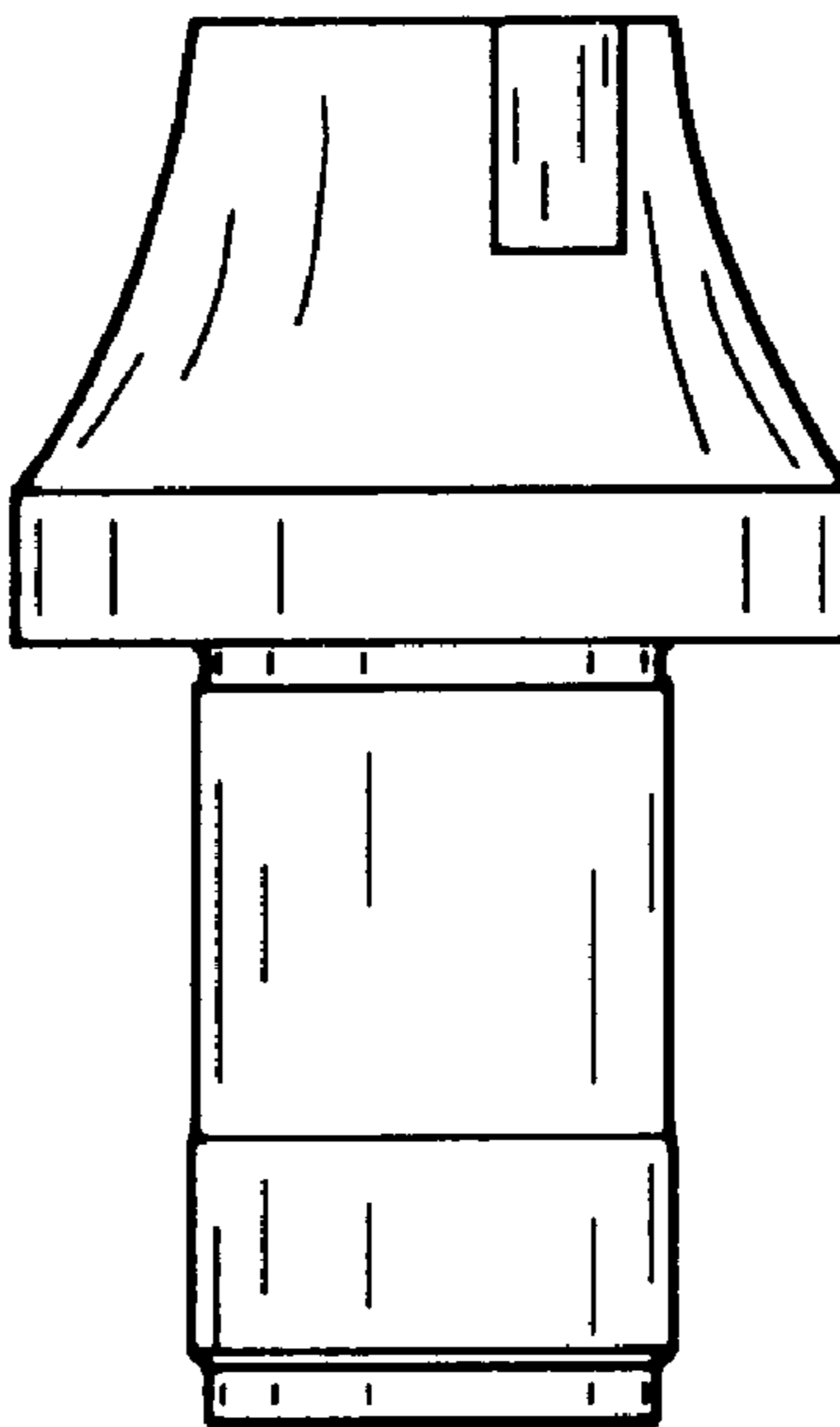
FIG. 15 is a left side elevational view of the third embodiment thereof,

FIG. 16 is a front elevational view of the third embodiment thereof,

FIG. 17 is a bottom plan view of the third embodiment thereof; and,

FIG. 18 is a top plan view of the third embodiment thereof.

1 Claim, 3 Drawing Sheets



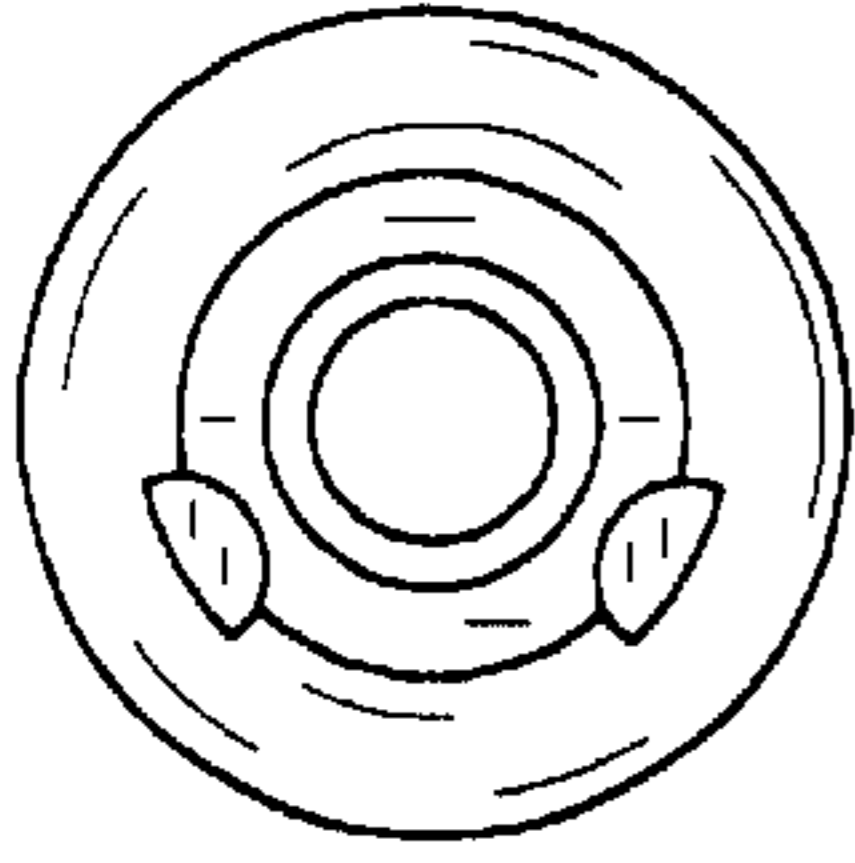


FIG. 6

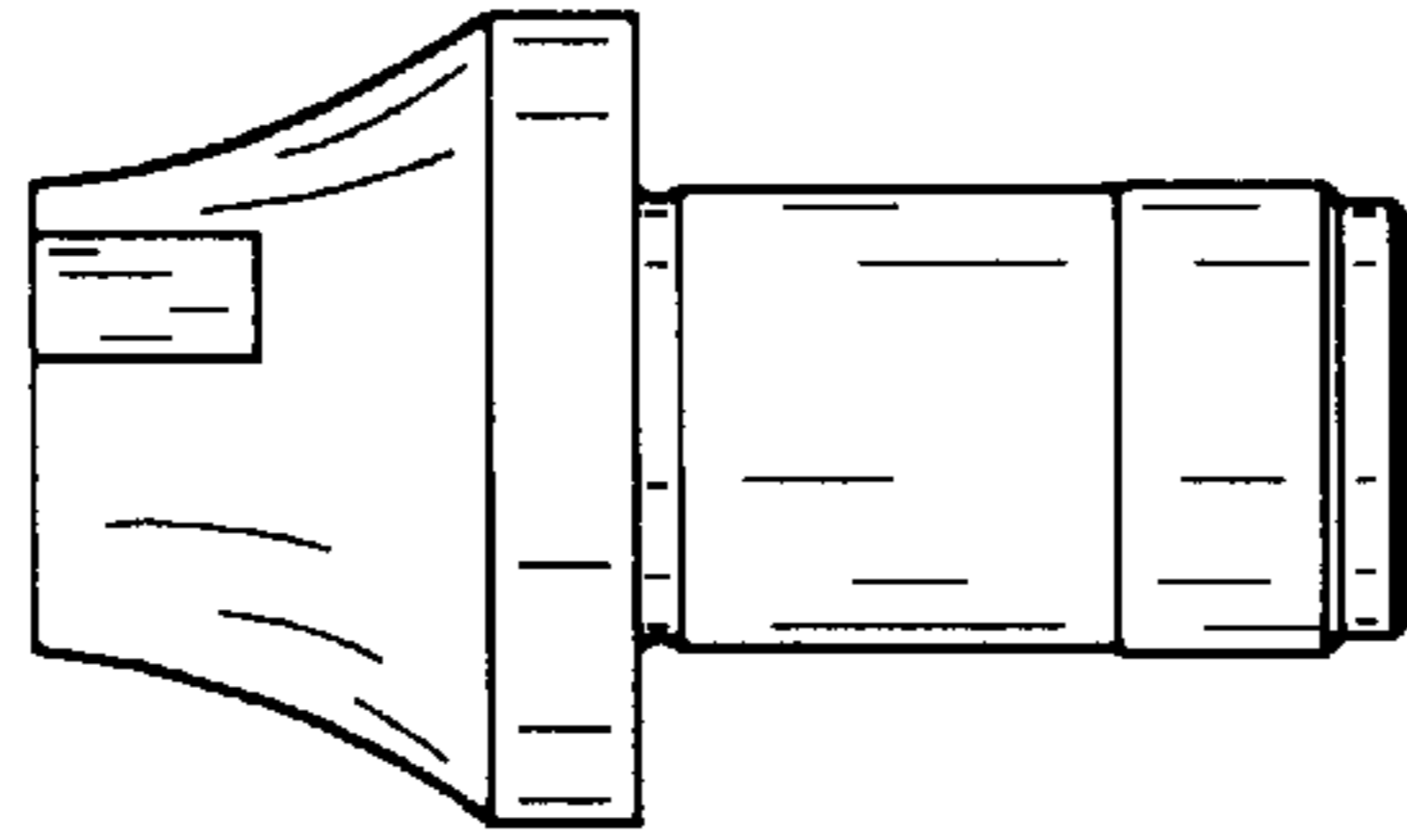


FIG. 1

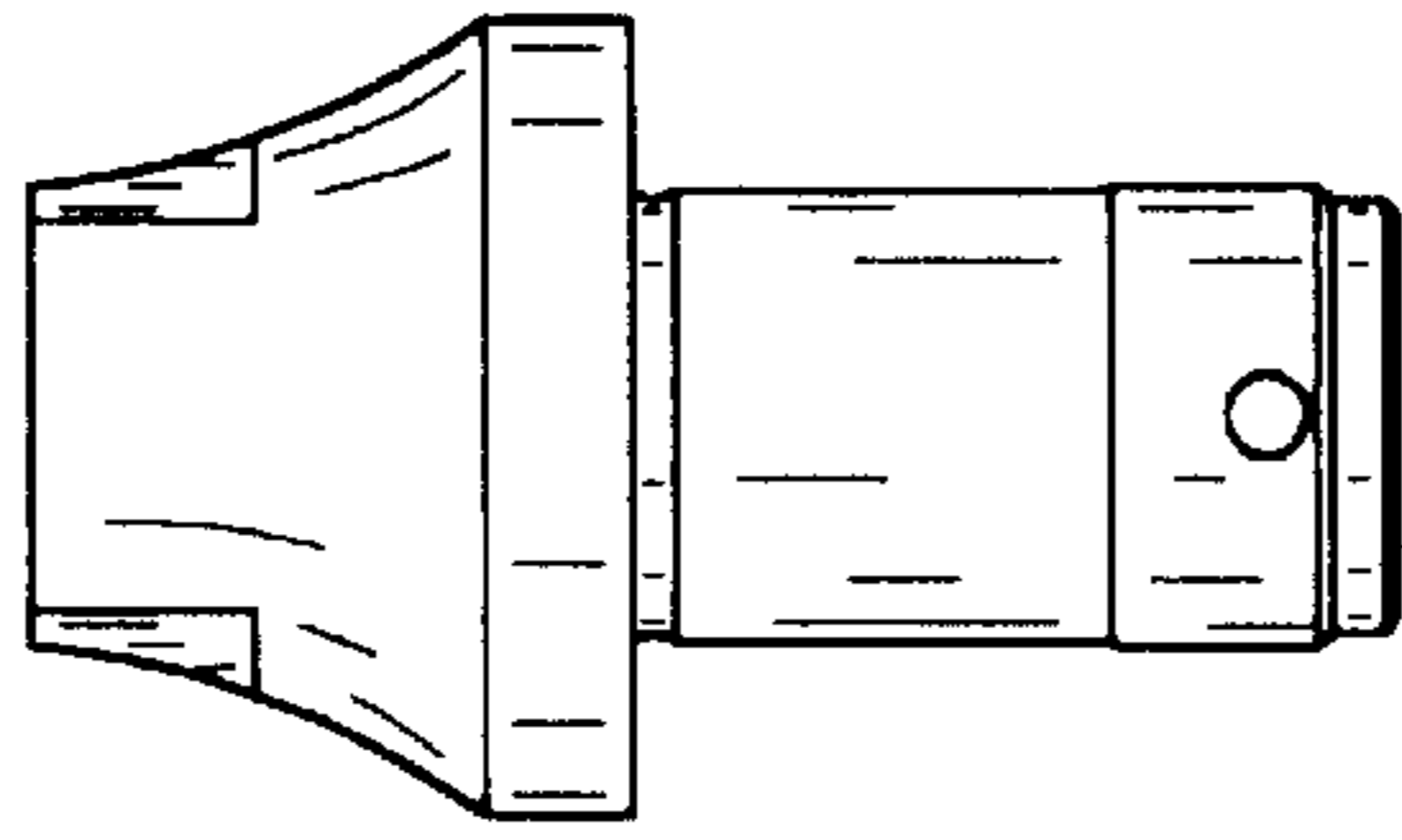


FIG. 2

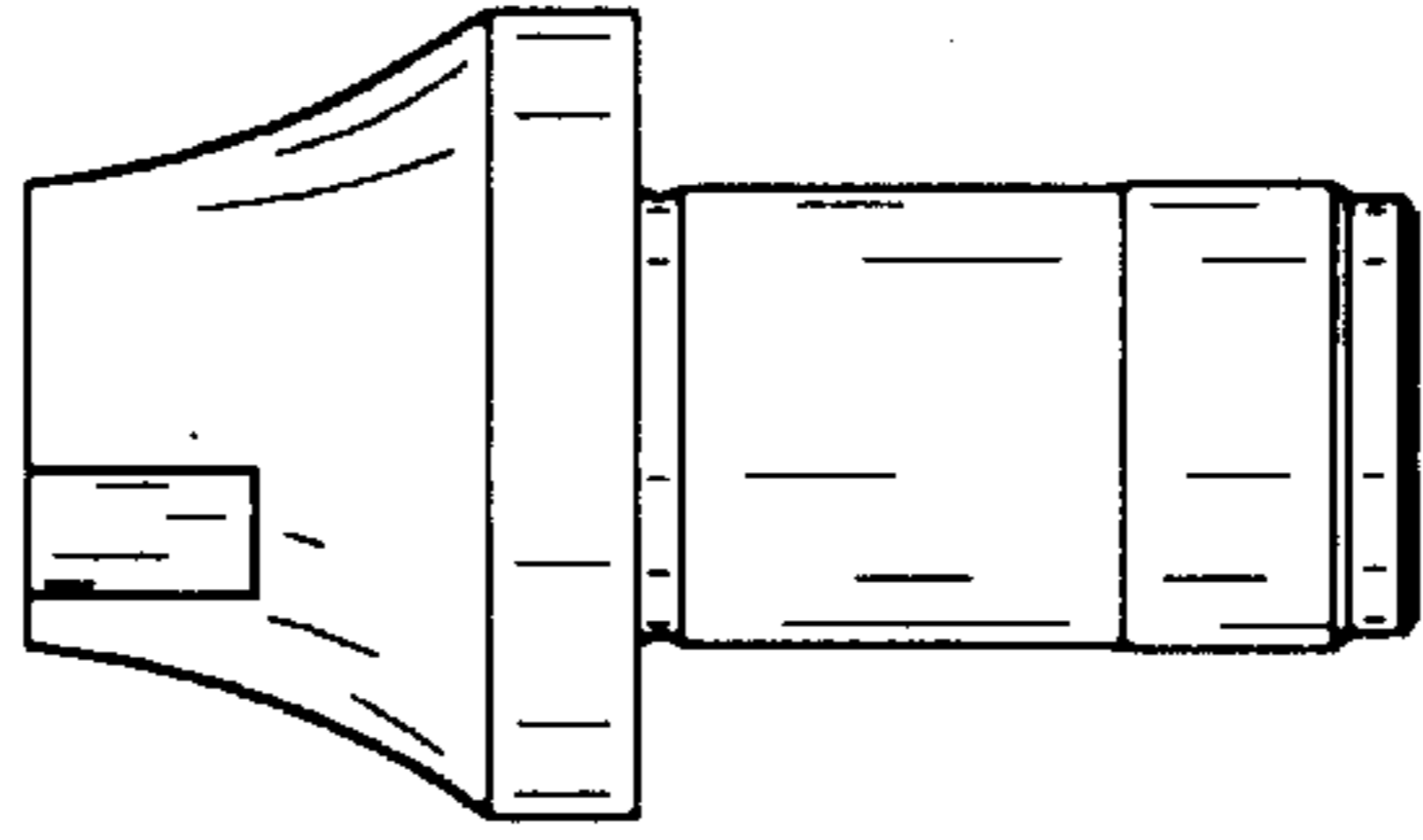


FIG. 3

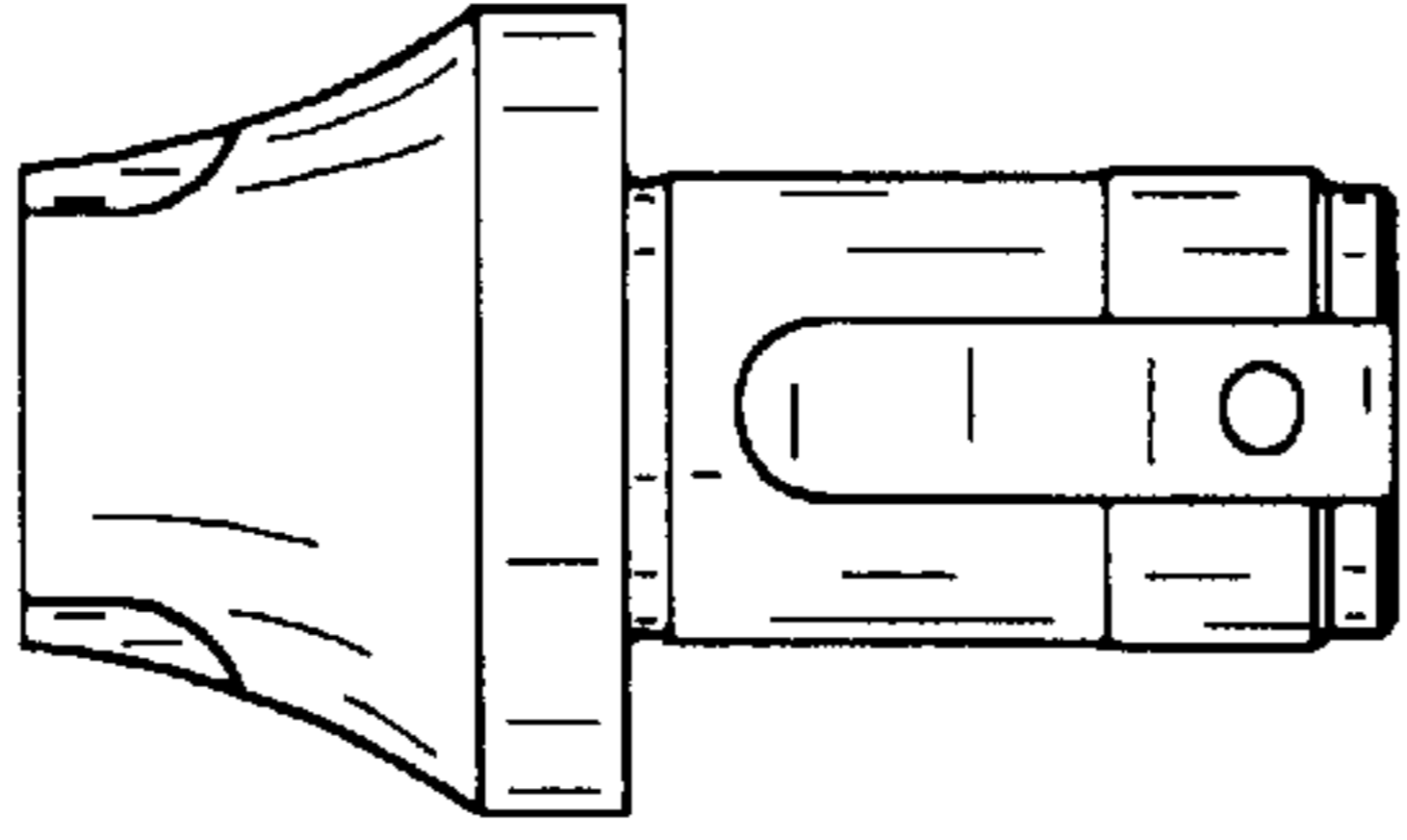


FIG. 4

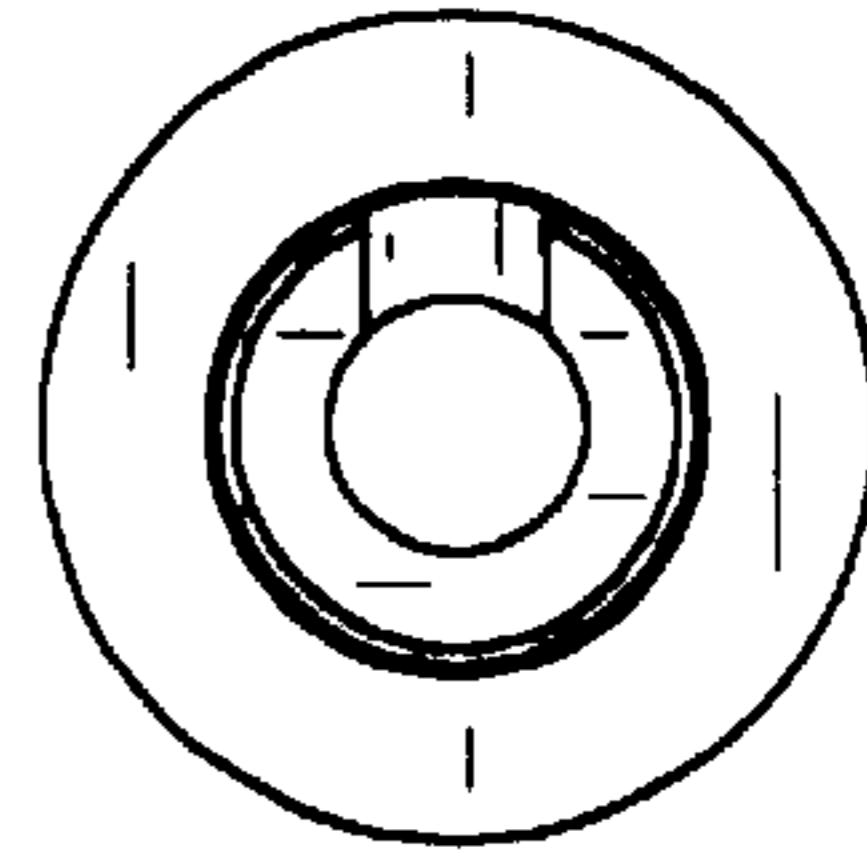


FIG. 5

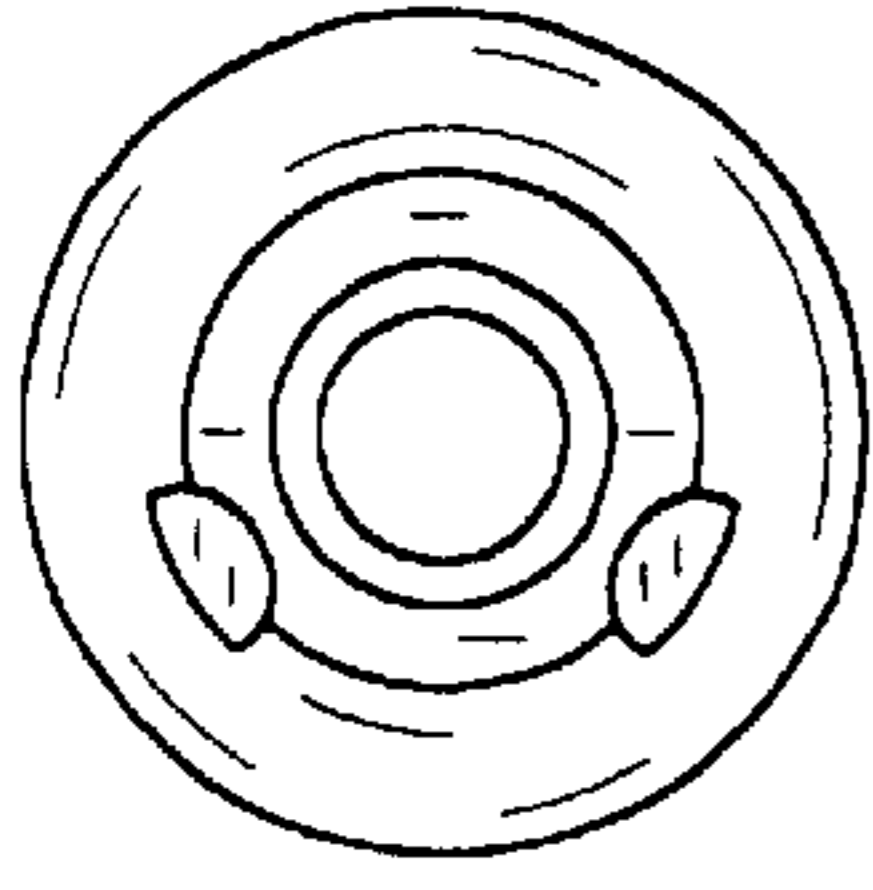


FIG. 12

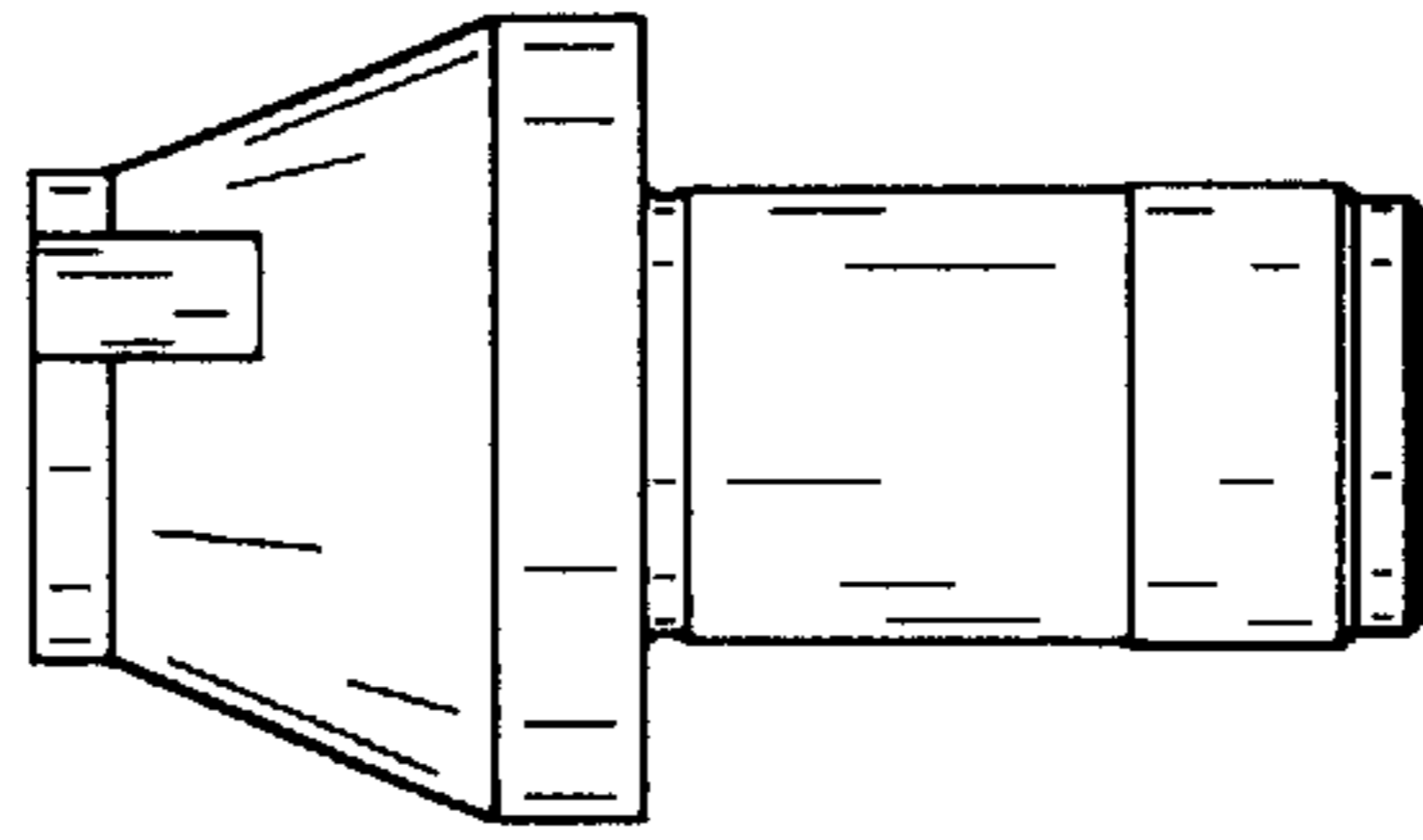


FIG. 7

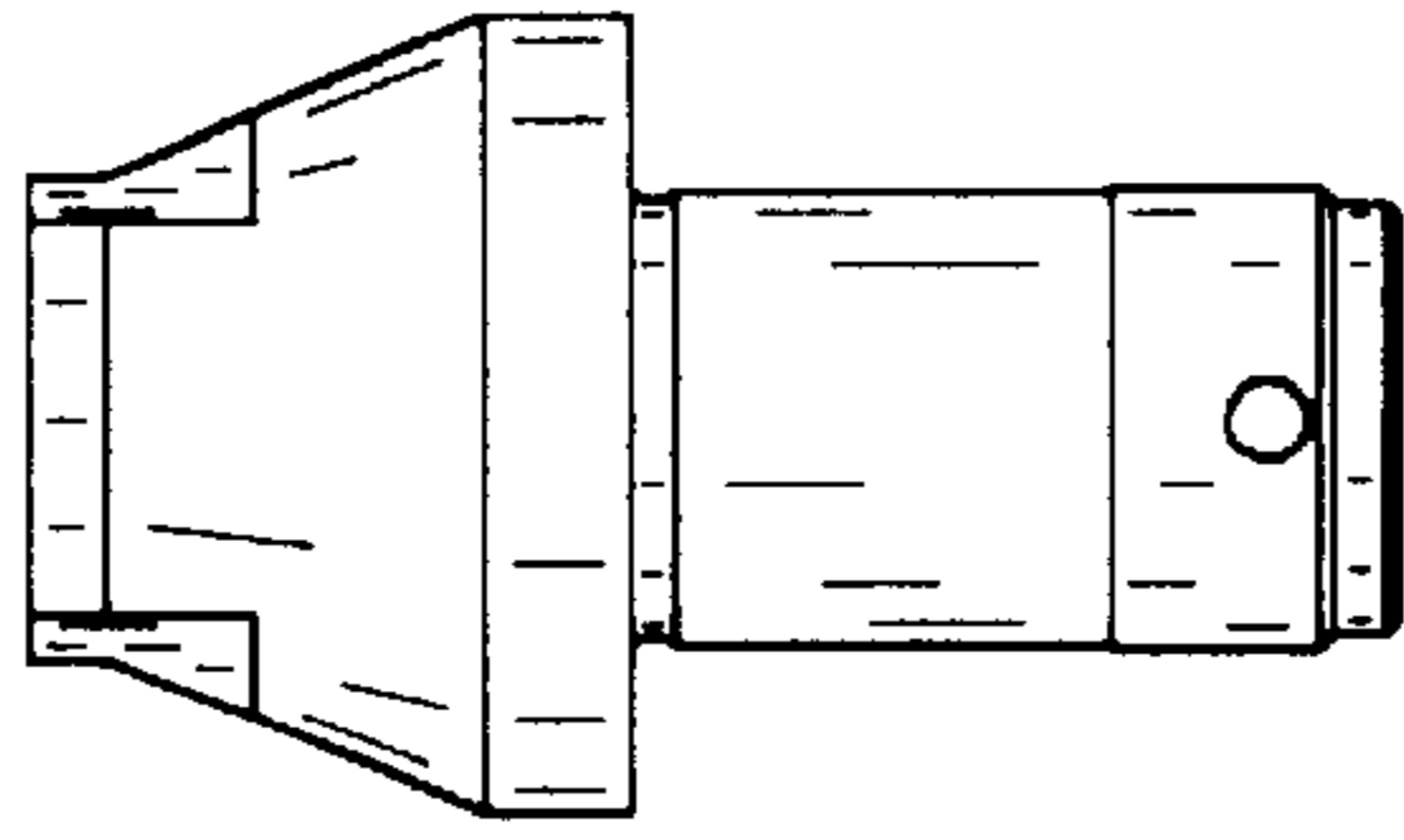


FIG. 8

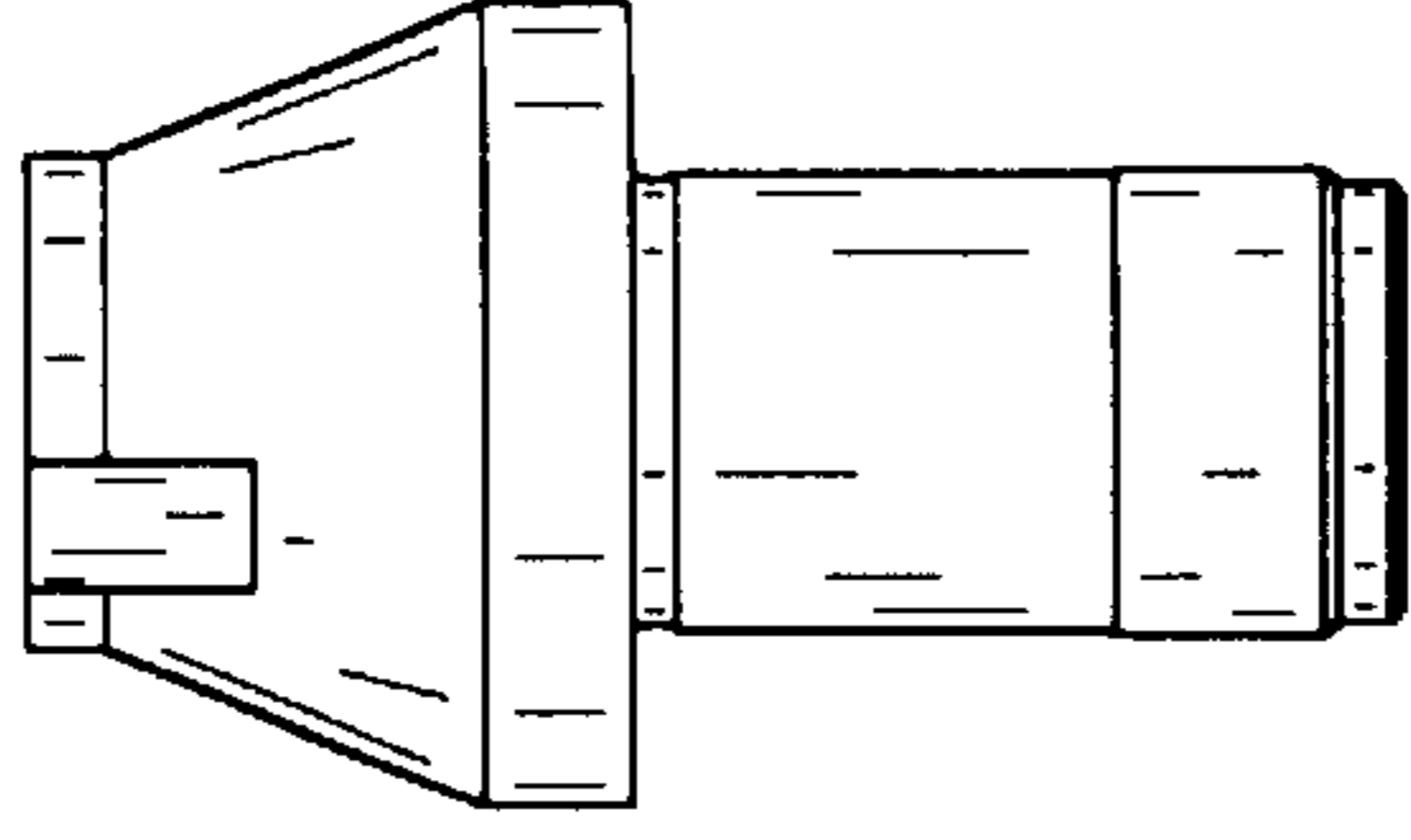


FIG. 9

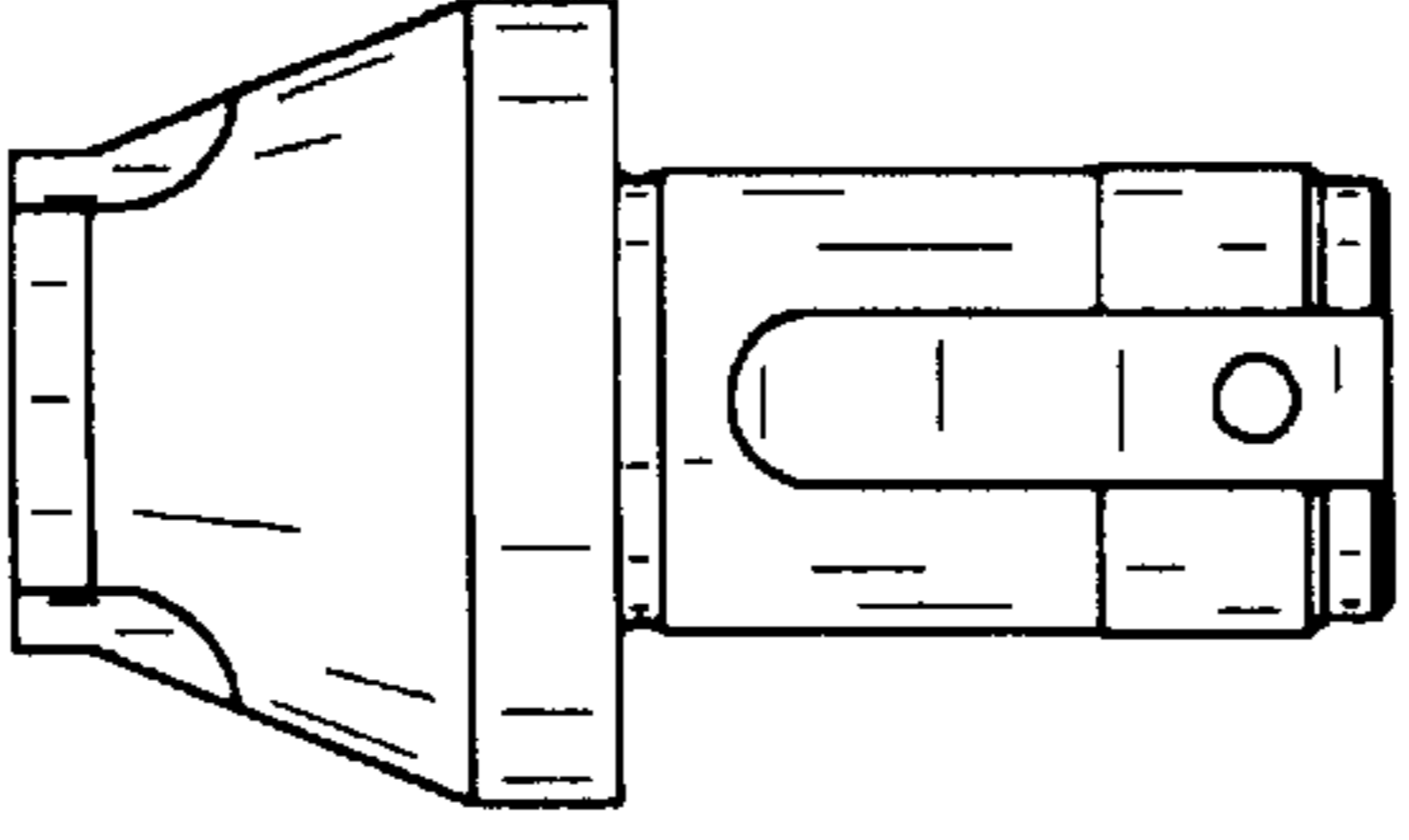


FIG. 10

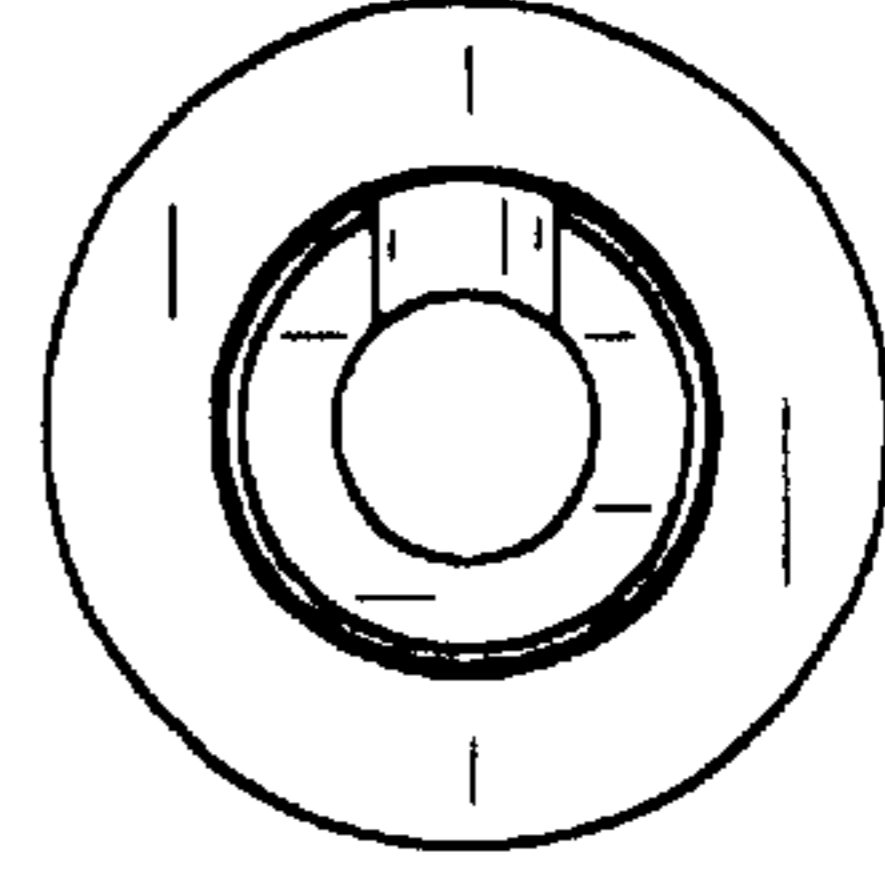


FIG. 11

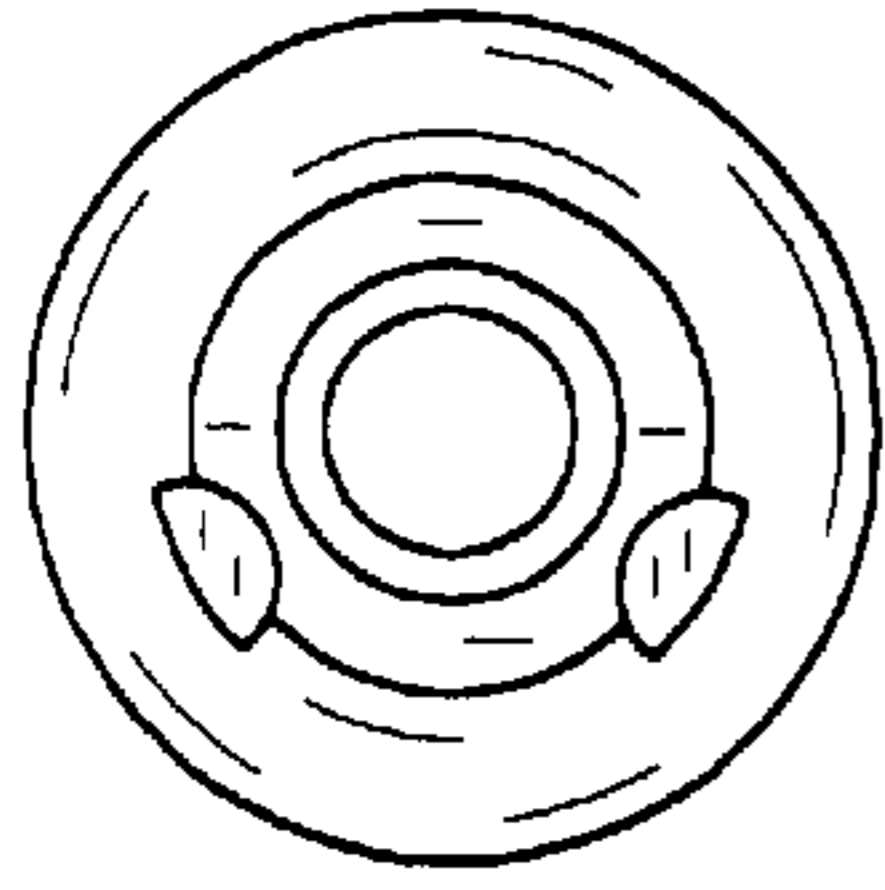


FIG. 18

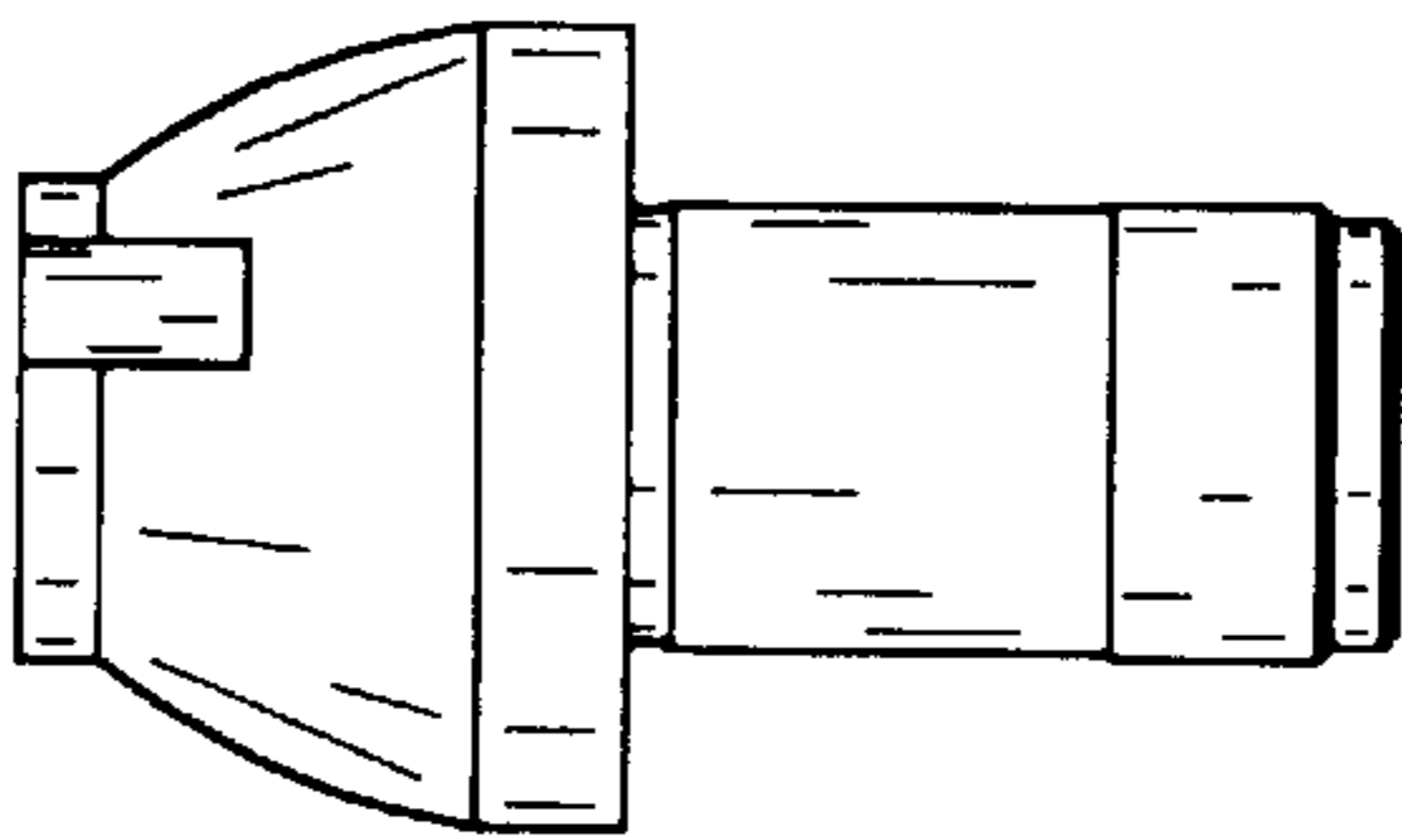


FIG. 13

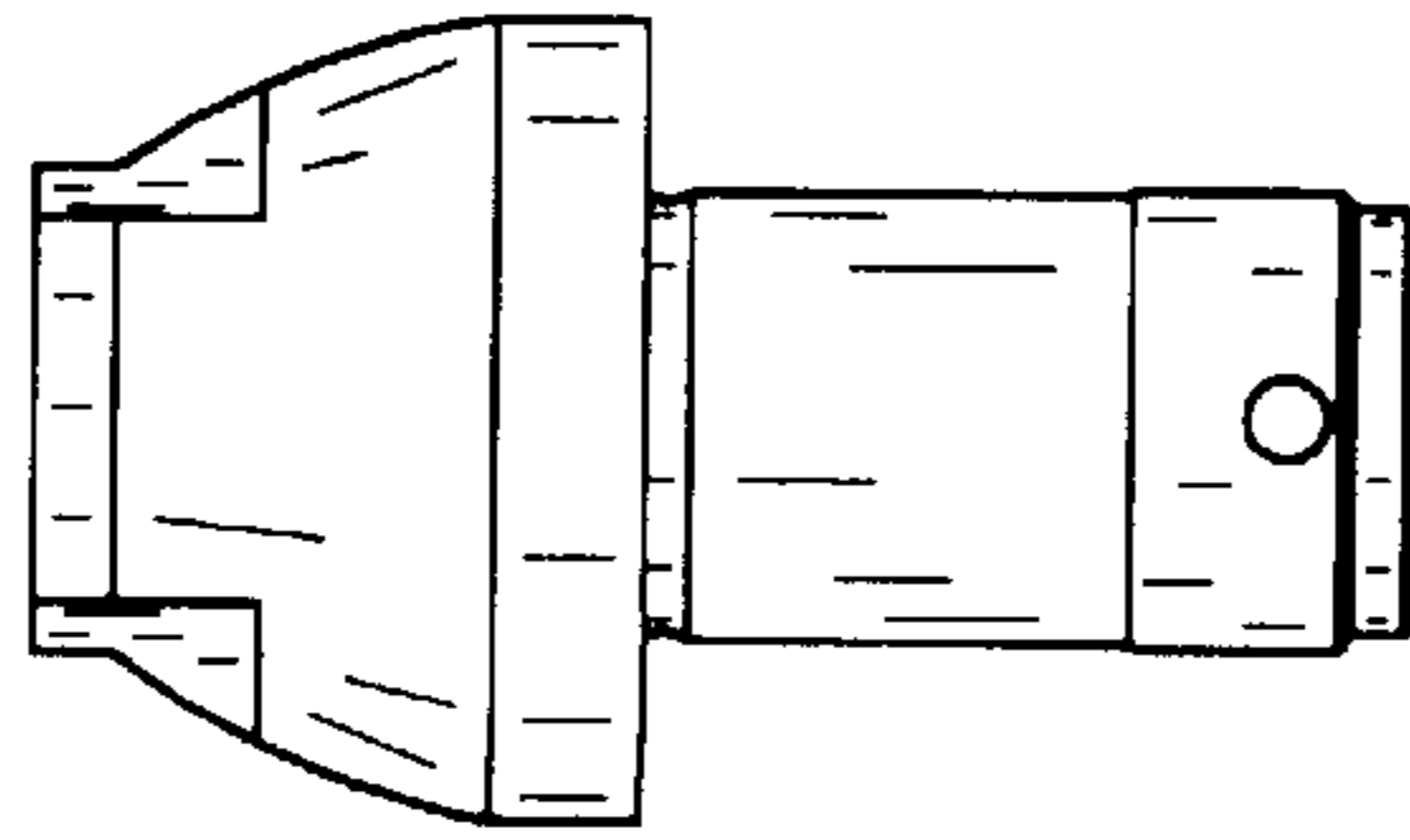


FIG. 14

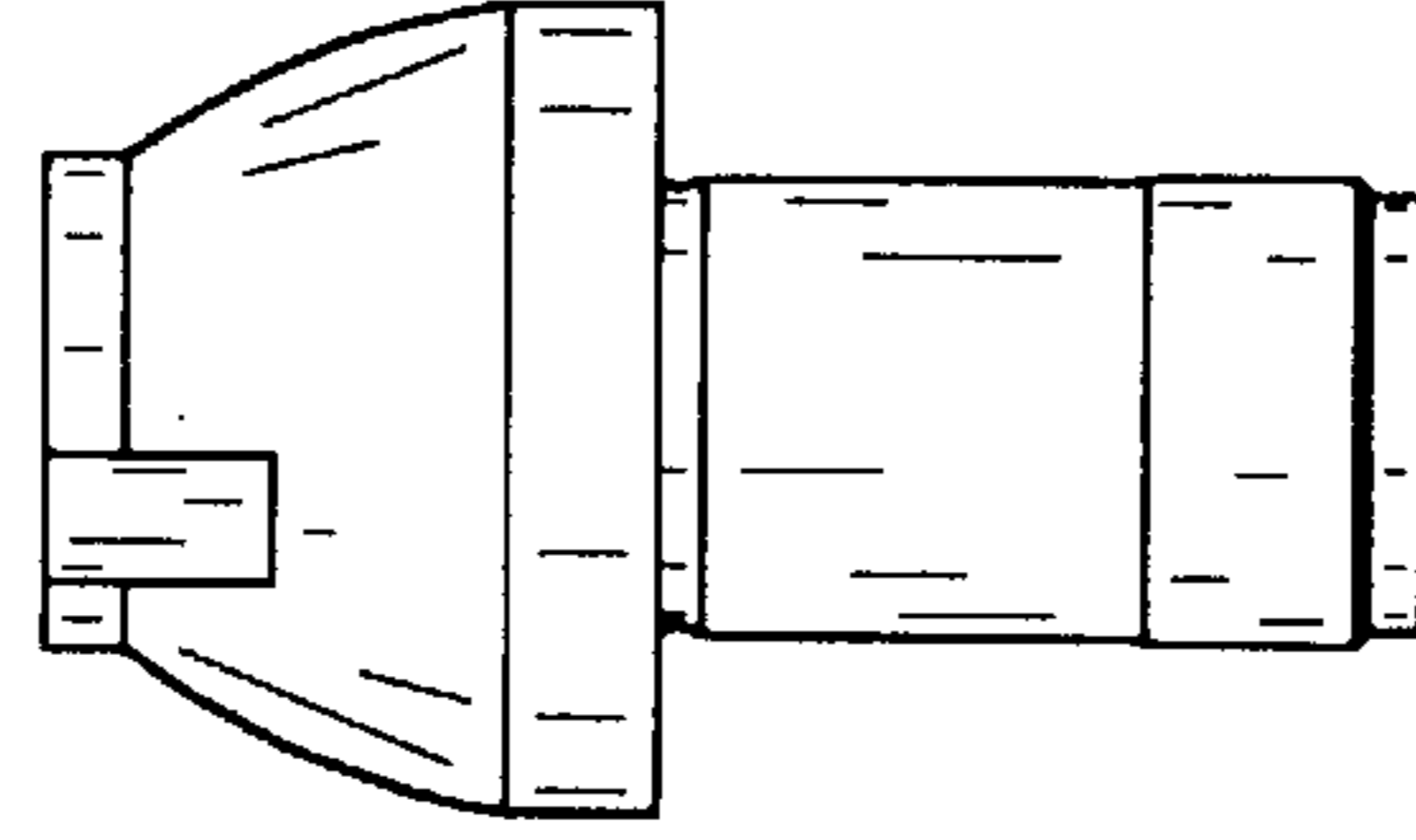


FIG. 15

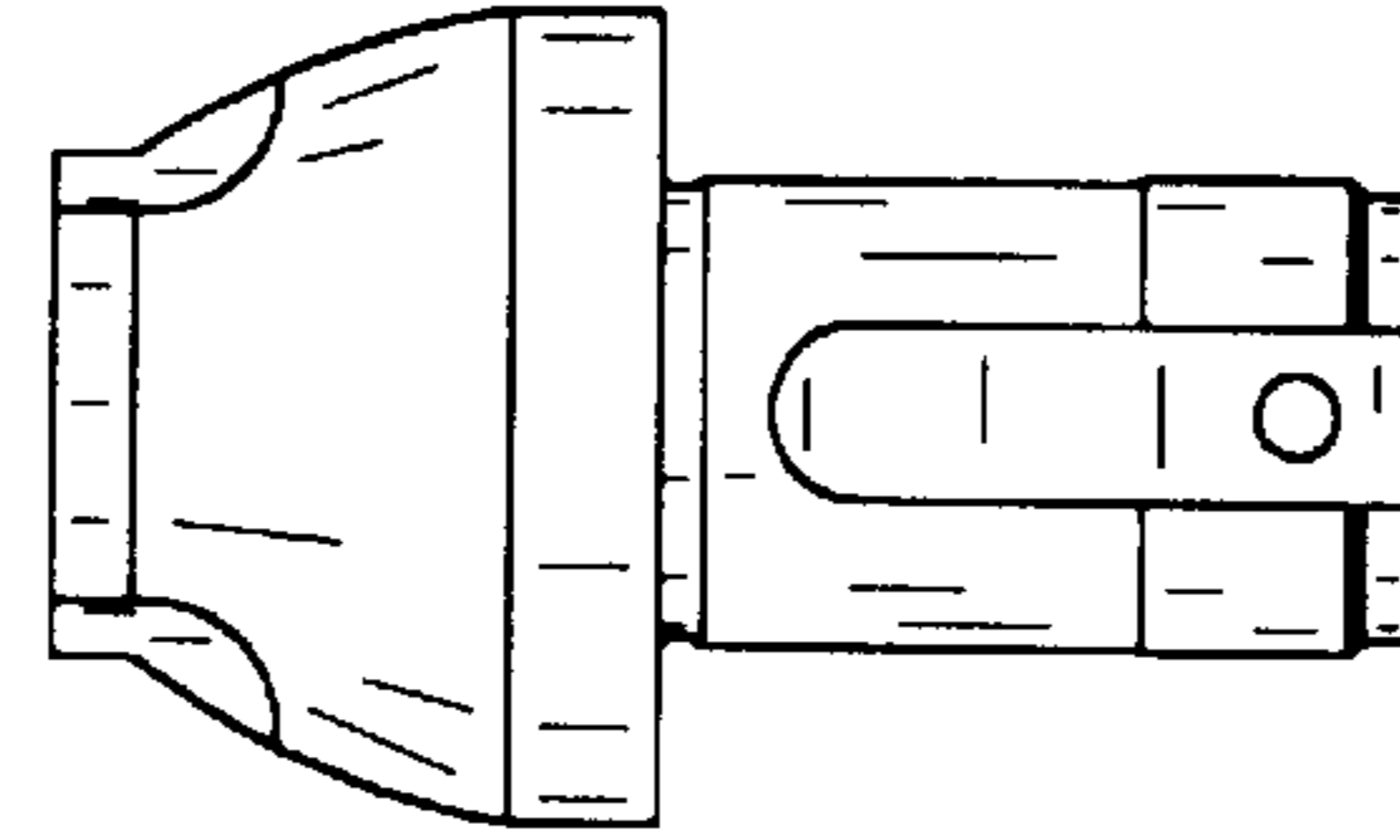


FIG. 16

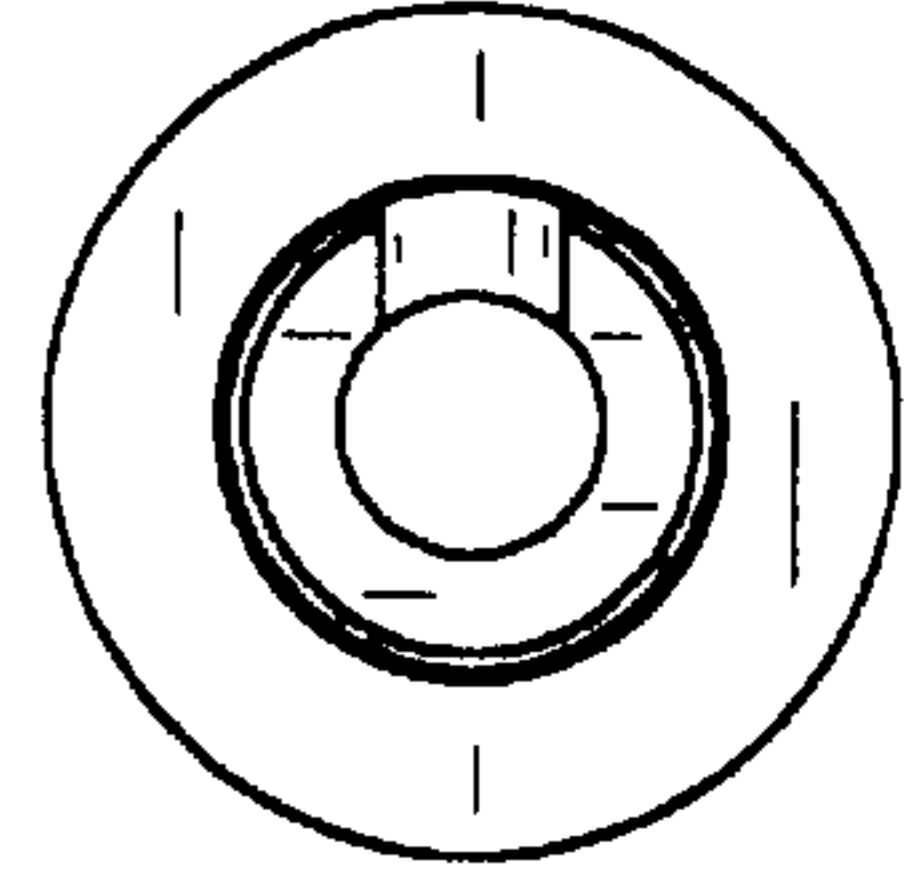


FIG. 17