



US00D460768S

(12) **United States Design Patent**
Svensson

(10) **Patent No.:** **US D460,768 S**

(45) **Date of Patent:** **** Jul. 23, 2002**

(54) **MILLING CUTTER INSERT**

5,827,016 A 10/1998 Strand

(75) Inventor: **Mikael Svensson**, Söderbärke (SE)

* cited by examiner

(73) Assignee: **Seco Tools AB**, Fagersta (SE)

Primary Examiner—Antoine Duval Davis

(**) Term: **14 Years**

(74) *Attorney, Agent, or Firm*—Burns, Doane, Swecker, & Mathis, L.L.P.

(21) Appl. No.: **29/145,491**

(57) **CLAIM**

(22) Filed: **Jul. 25, 2001**

The ornamental design for a milling cutter insert, as shown and described.

(30) **Foreign Application Priority Data**

DESCRIPTION

Jan. 26, 2001 (SE) 010181

(51) **LOC (7) Cl.** **15-09**

(52) **U.S. Cl.** **D15/139**

(58) **Field of Search** D15/139; 407/42,
407/113, 114, 117, 119

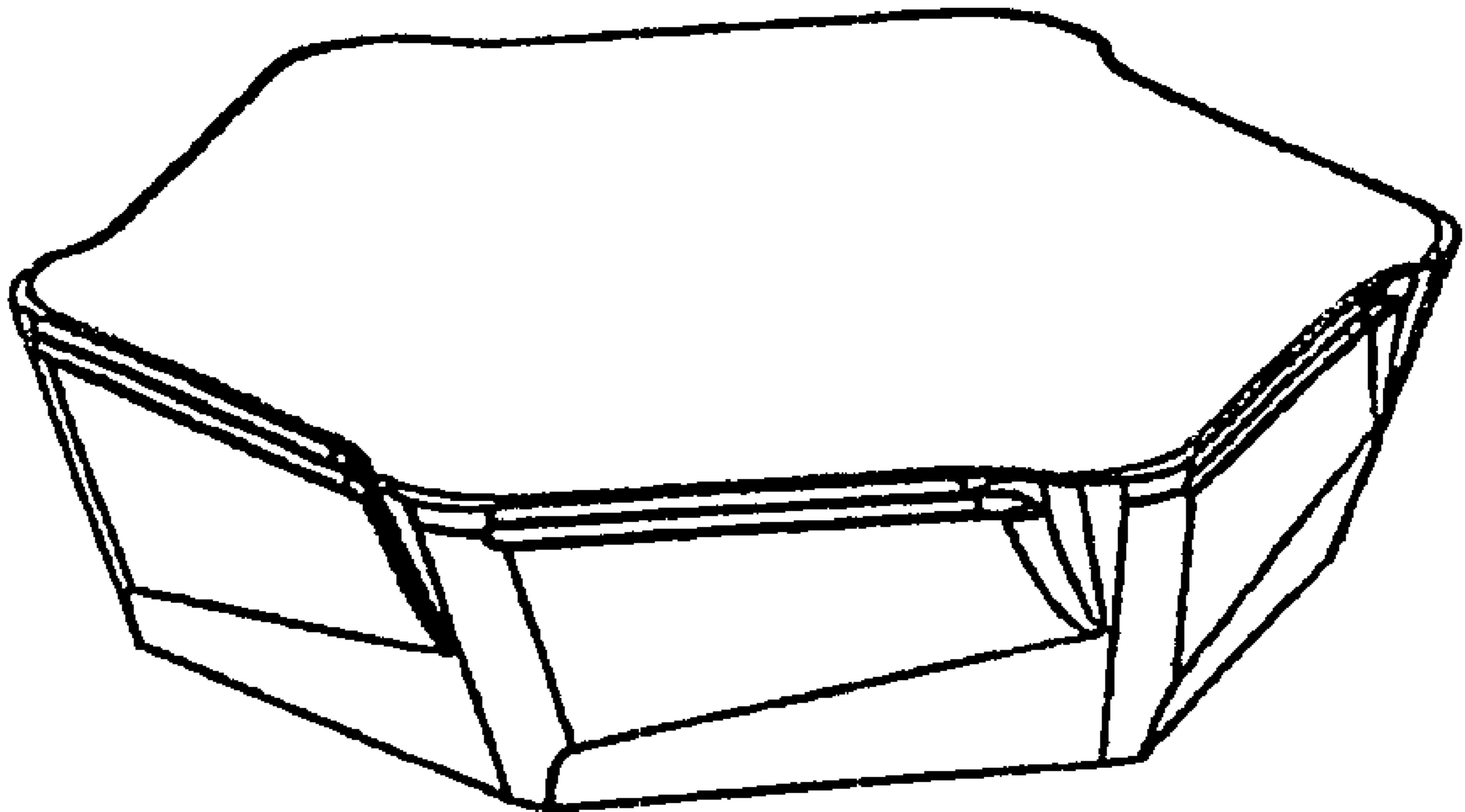
FIG. 1 is a top, side perspective view of a milling cutter insert showing my new design;
FIG. 2 is a top plan view thereof;
FIG. 3 is a bottom plan view thereof;
FIG. 4 is a side elevational view thereof, as seen in the direction of arrow D in FIG. 2;
FIG. 5 is a side elevational view thereof, as seen in the direction of arrow E in FIG. 2;
FIG. 6 is a side elevational view thereof, as seen in the direction of arrow F in FIG. 2; and,
FIG. 7 is a side elevational view thereof, as seen in the direction of arrow G in FIG. 2.

(56) **References Cited**

U.S. PATENT DOCUMENTS

4,632,607 A 12/1986 Pantzar
4,966,500 A 10/1990 Tsujimura et al.
4,971,483 A * 11/1990 Kress et al. 407/114
5,685,670 A * 11/1997 Satran 407/42
D396,479 S * 7/1998 Satran et al. D15/139

1 Claim, 2 Drawing Sheets



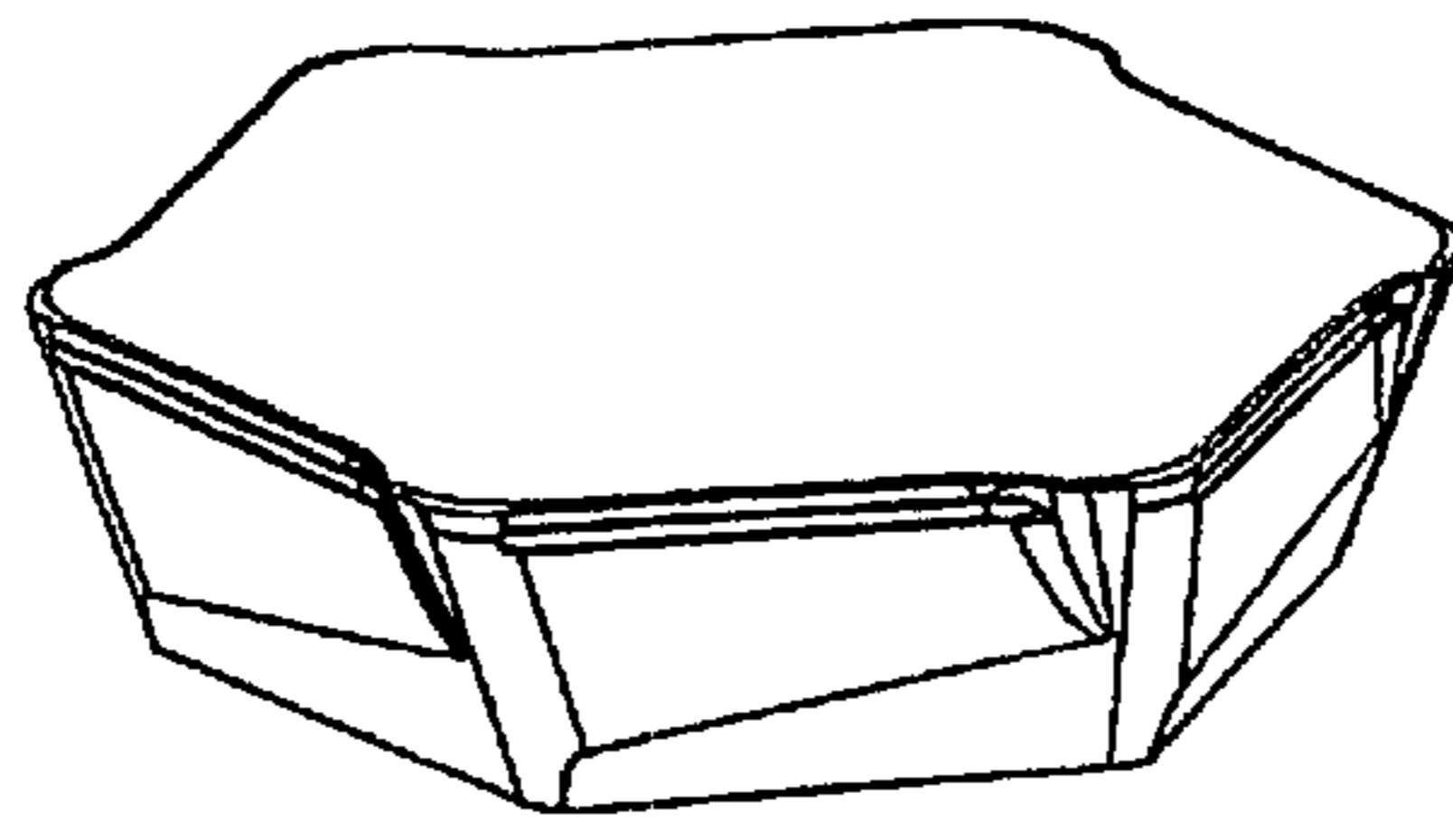


FIG. 1

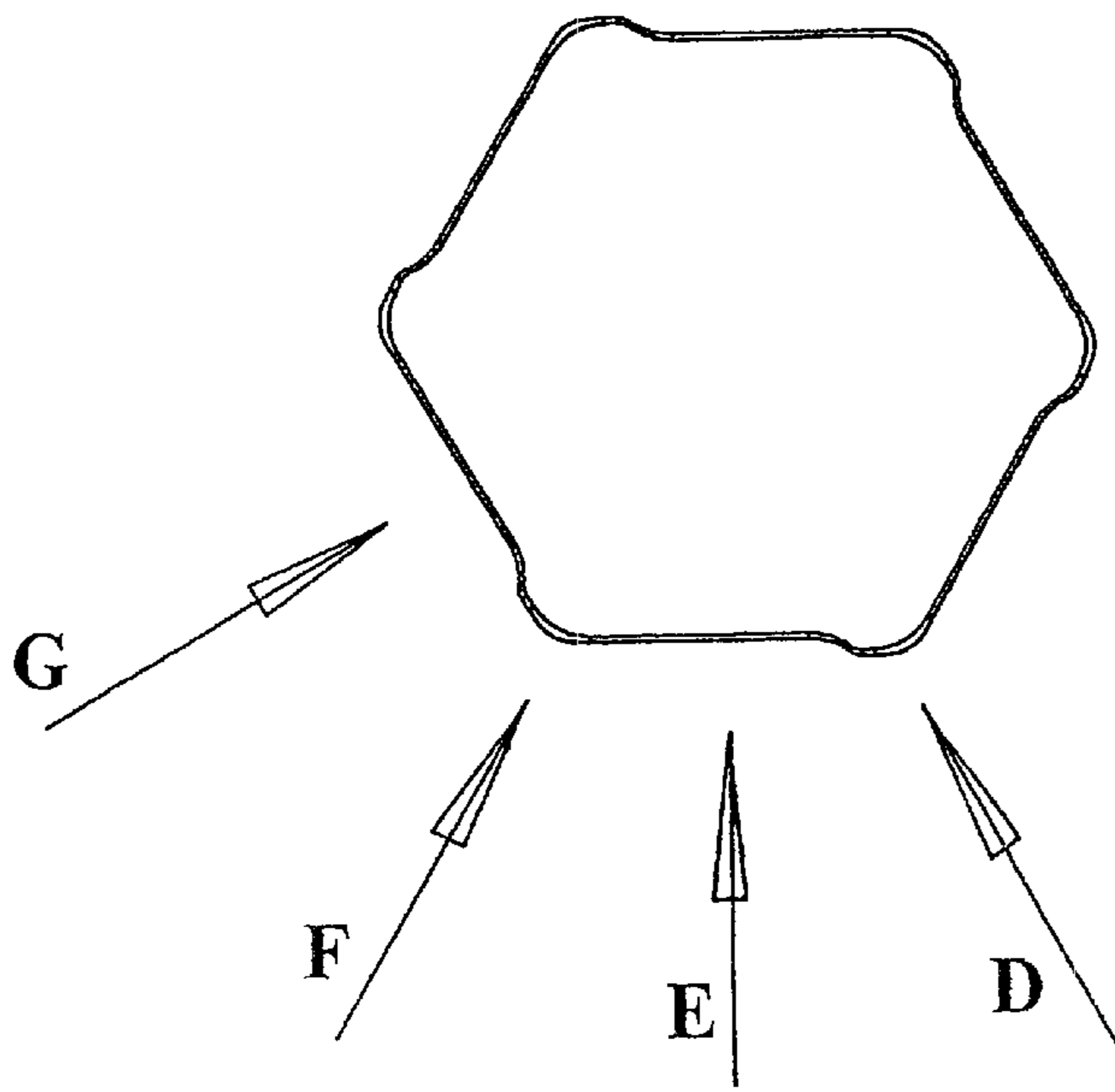


FIG. 2

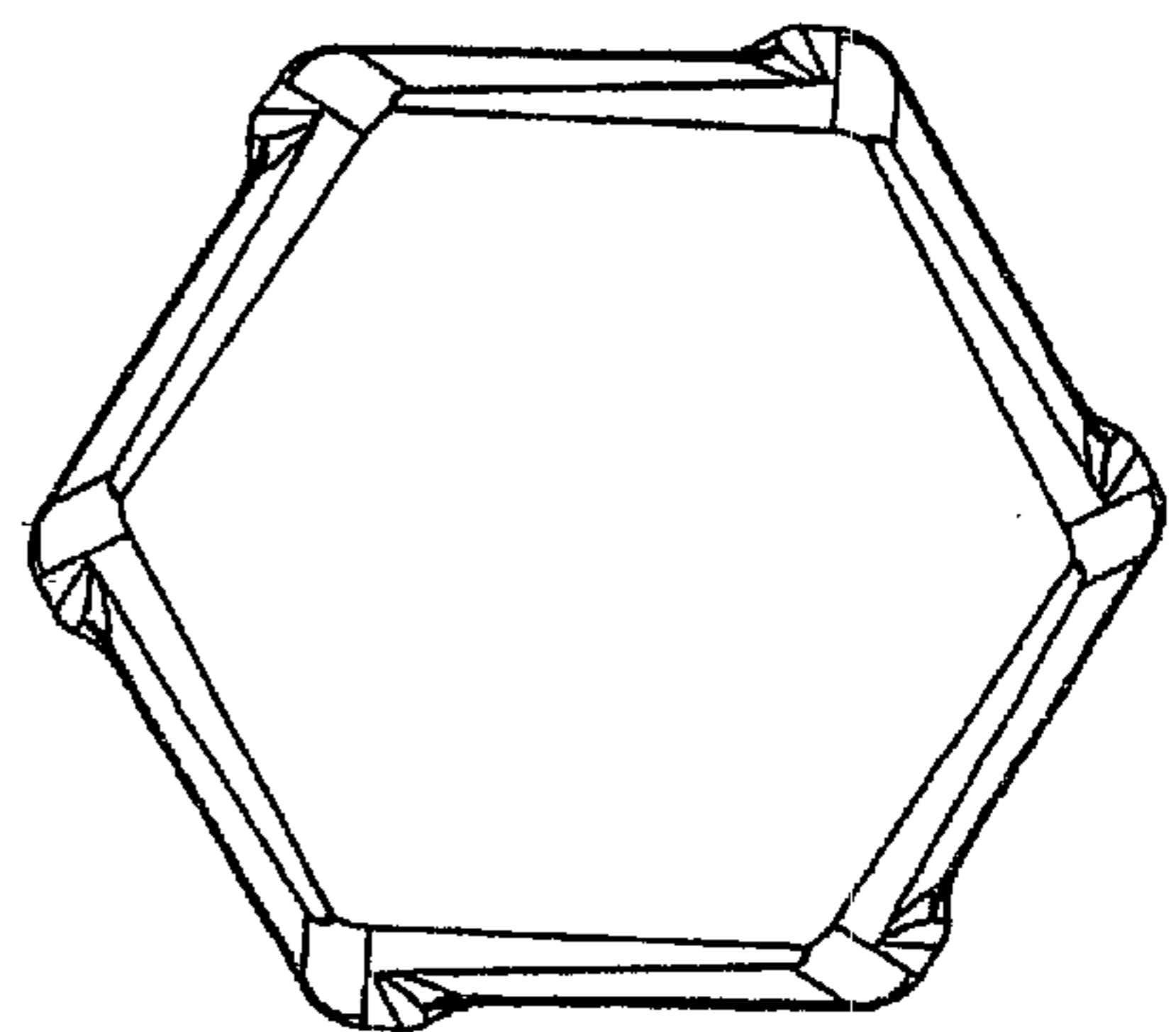


FIG. 3

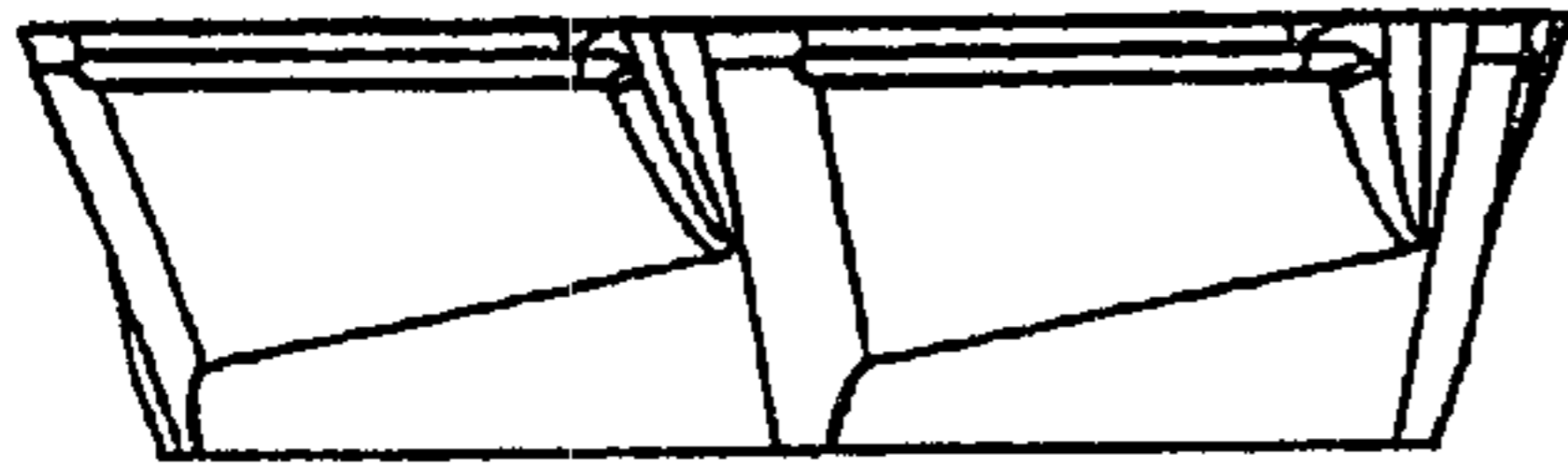


FIG. 4

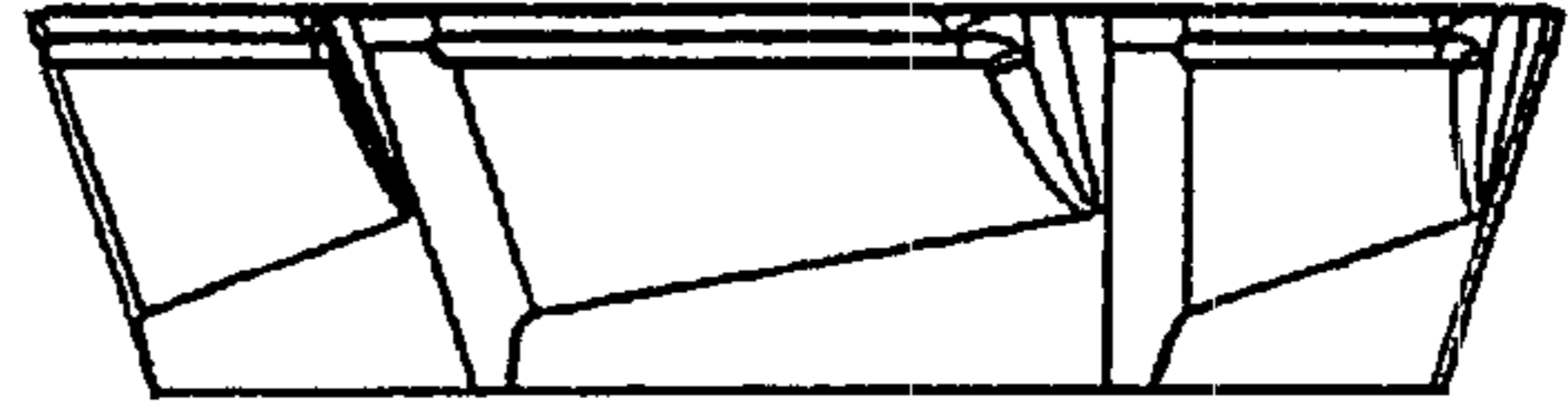


FIG. 5

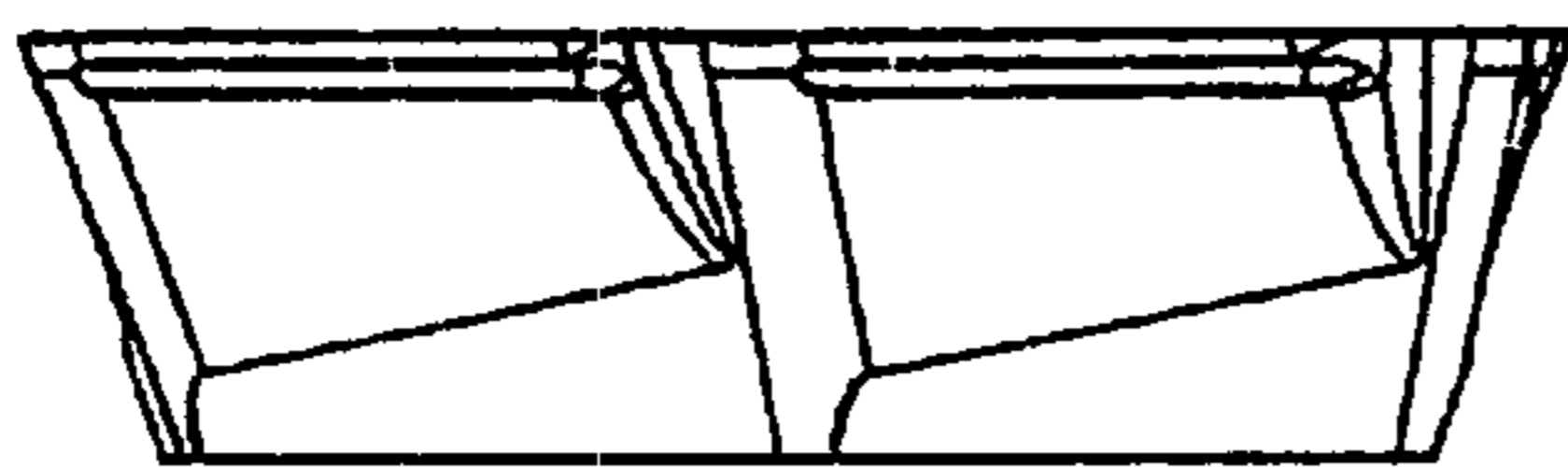


FIG. 6

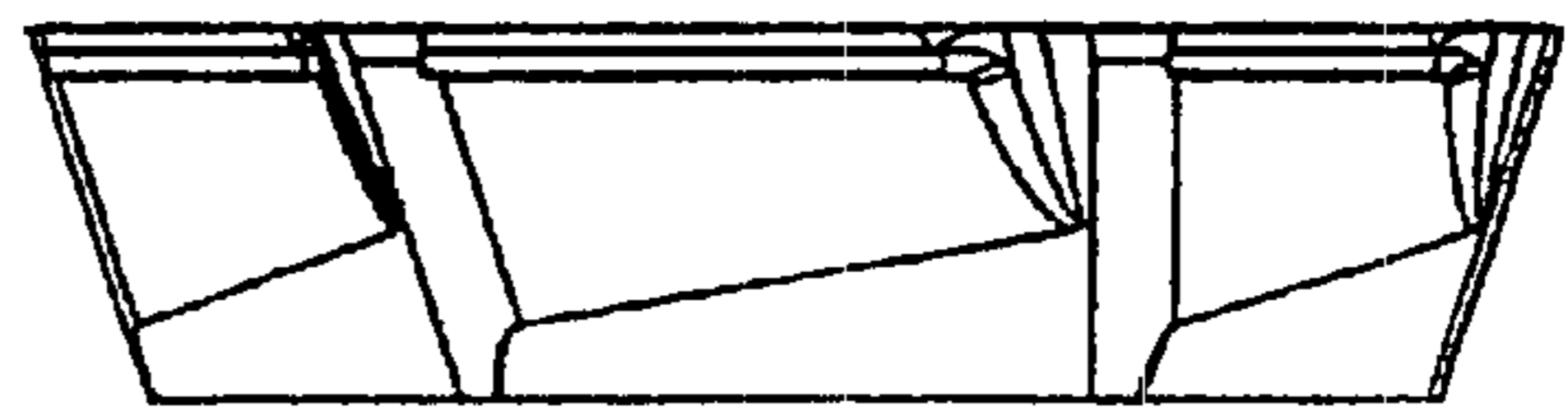


FIG. 7