



US00D460765S

(12) **United States Design Patent**
Kuroki

(10) **Patent No.:** **US D460,765 S**

(45) **Date of Patent:** **** Jul. 23, 2002**

(54) **SEWING MACHINE**

(75) Inventor: **Nobuhusa Kuroki**, Tokyo (JP)

(73) Assignee: **Janome Sewing Machine Co., Ltd.**,
Tokyo (JP)

(**) Term: **14 Years**

(21) Appl. No.: **29/141,793**

(22) Filed: **May 11, 2001**

(30) **Foreign Application Priority Data**

Nov. 30, 2000 (JP) 2000-034212

(51) **LOC (7) Cl.** **15-06**

(52) **U.S. Cl.** **D15/69**

(58) **Field of Search** D15/66-76; 112/258-261,
112/63, 217.1-219.4, 444

(56) **References Cited**

U.S. PATENT DOCUMENTS

- D300,543 S * 4/1989 Yoneda D15/70
- D433,690 S * 11/2000 Kuroki D15/70
- D450,722 S * 11/2001 Kawaguchi D15/69

* cited by examiner

Primary Examiner—Mitchell Siegel
(74) *Attorney, Agent, or Firm*—Niels & Lemack

(57) **CLAIM**

The ornamental design for a sewing machine, as shown and described.

DESCRIPTION

FIG. 1 is a perspective view from a forward angle of the sewing machine of the present invention;
 FIG. 2 is a perspective view from a rear angle of the sewing machine of the present invention;
 FIG. 3 is a side view from a first side of the sewing machine of the present invention;
 FIG. 4 is a front view of the sewing machine of the present invention;
 FIG. 5 is a rear view of the sewing machine of the present invention;
 FIG. 6 is a side view from a second side of the sewing machine of the present invention;
 FIG. 7 is a top view of the sewing machine of the present invention; and,
 FIG. 8 is a bottom view of the sewing machine of the present invention.

1 Claim, 4 Drawing Sheets

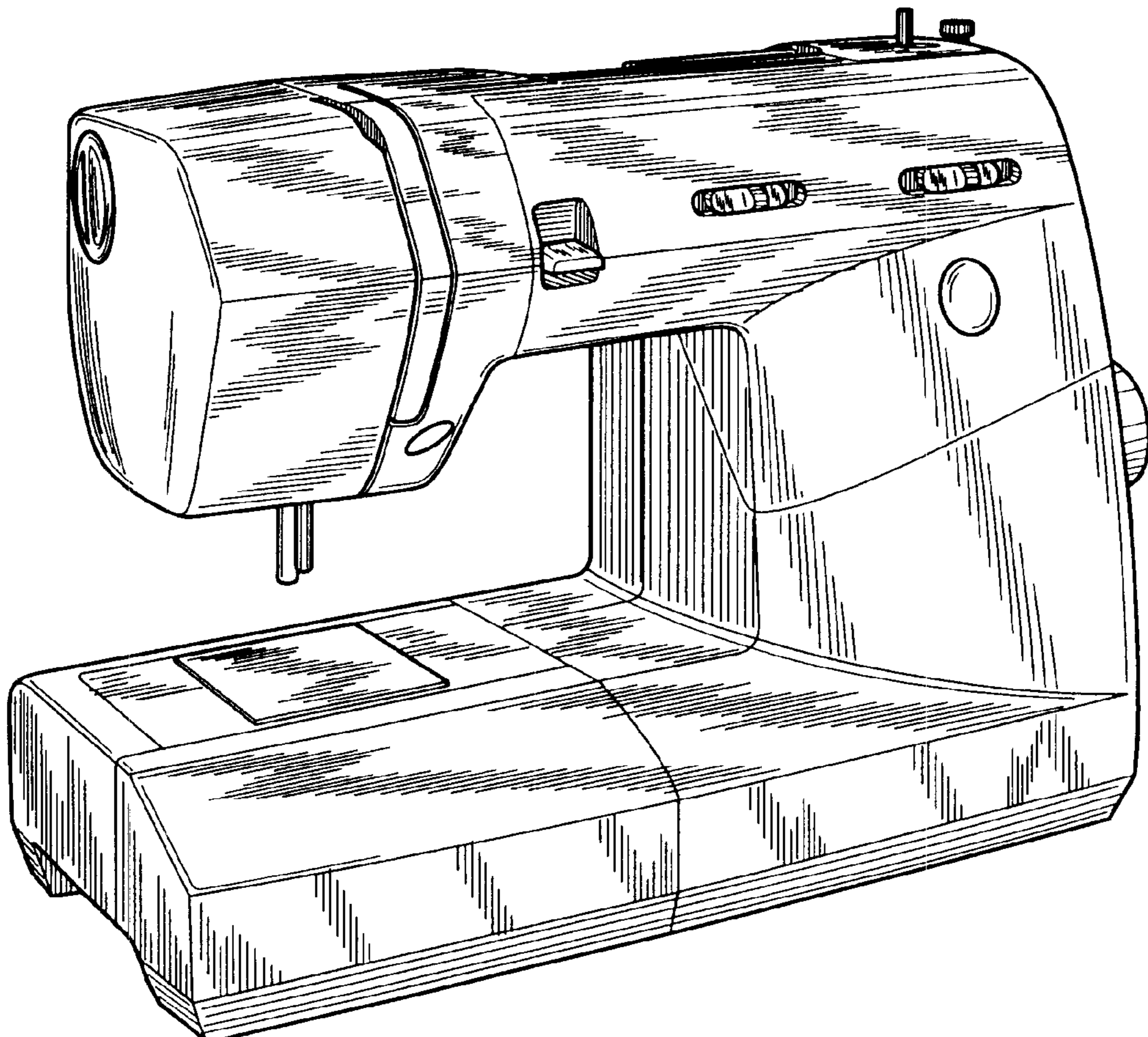


FIG. 1

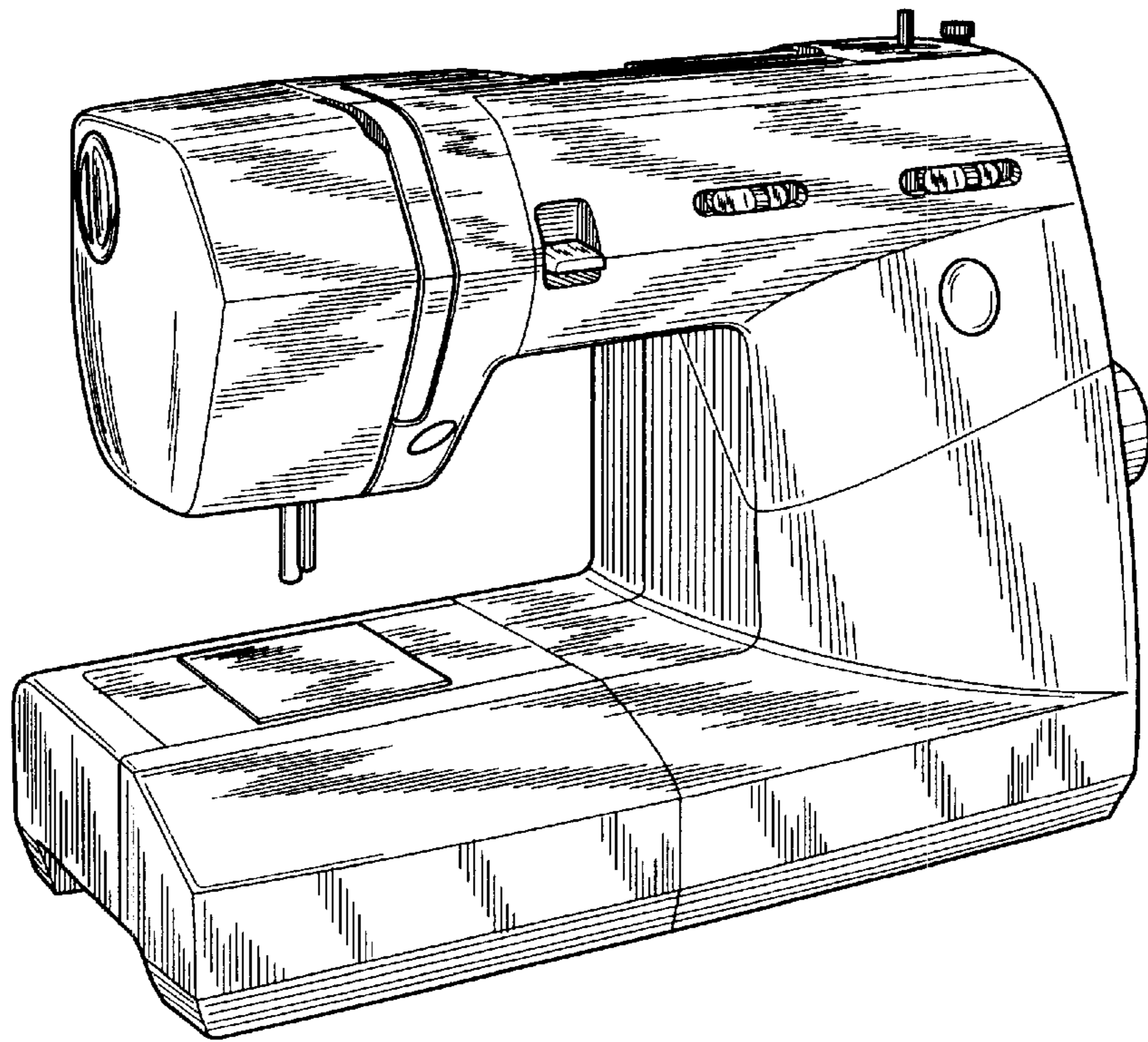


FIG. 2

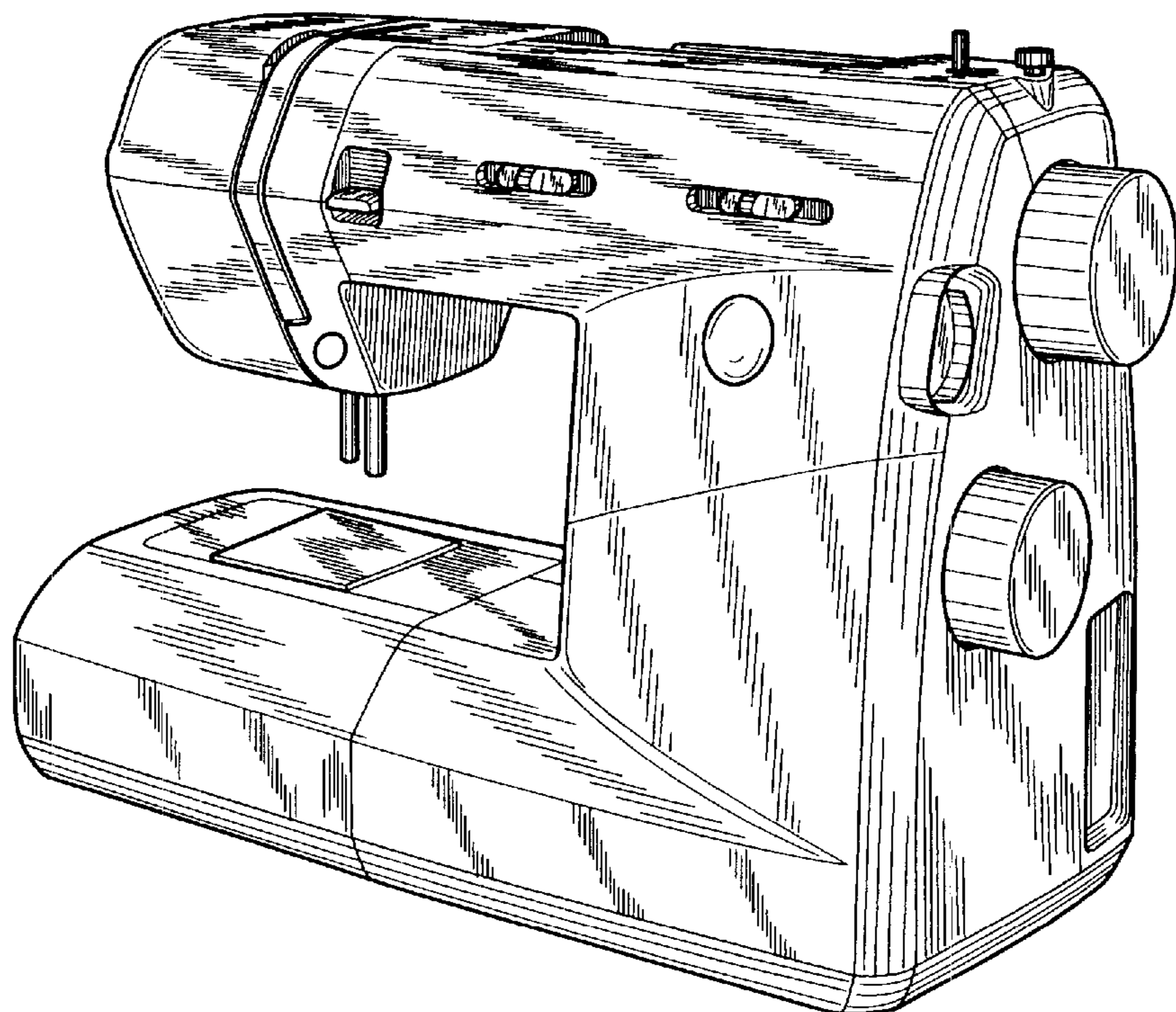


FIG. 3

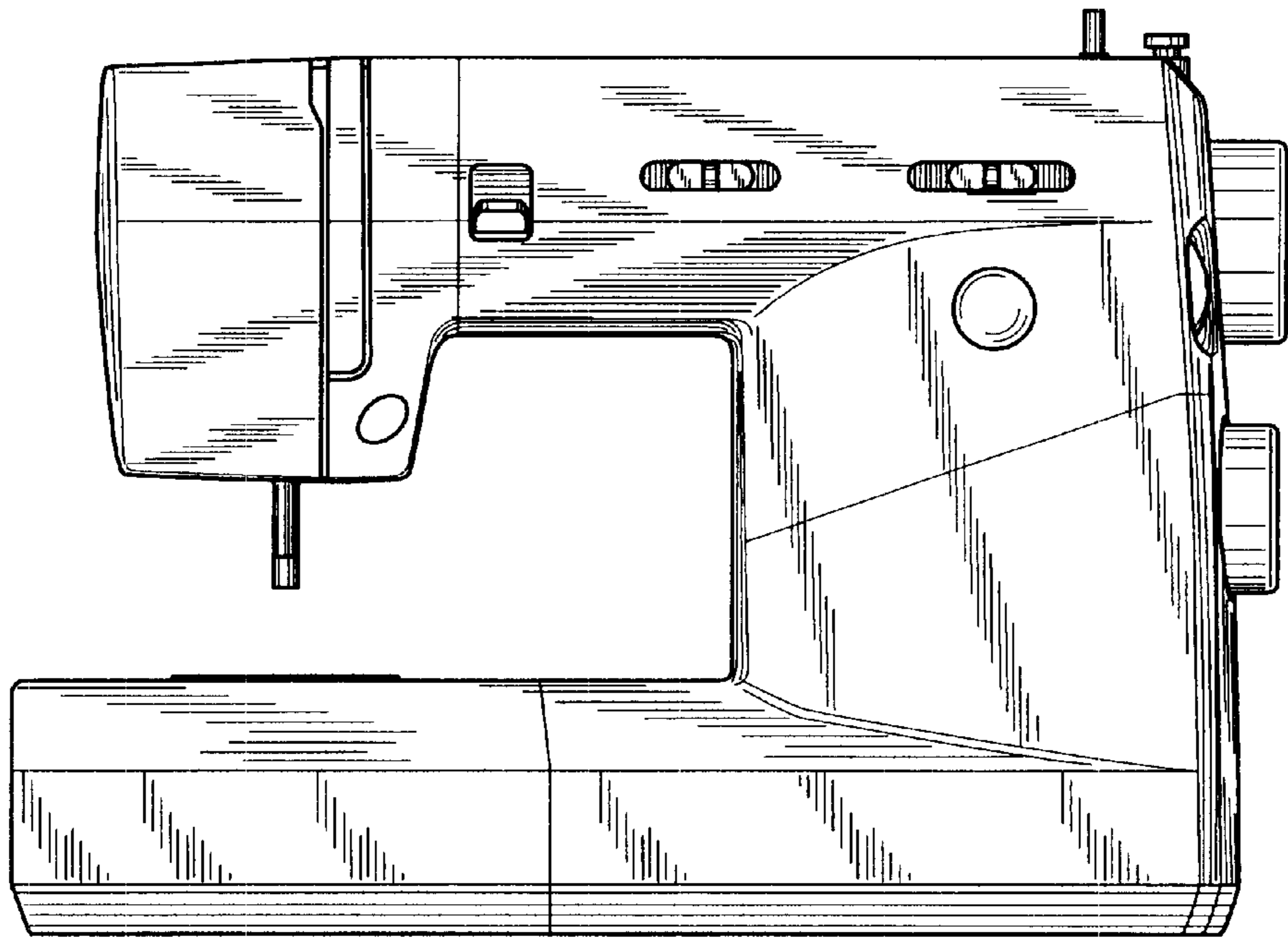


FIG. 6

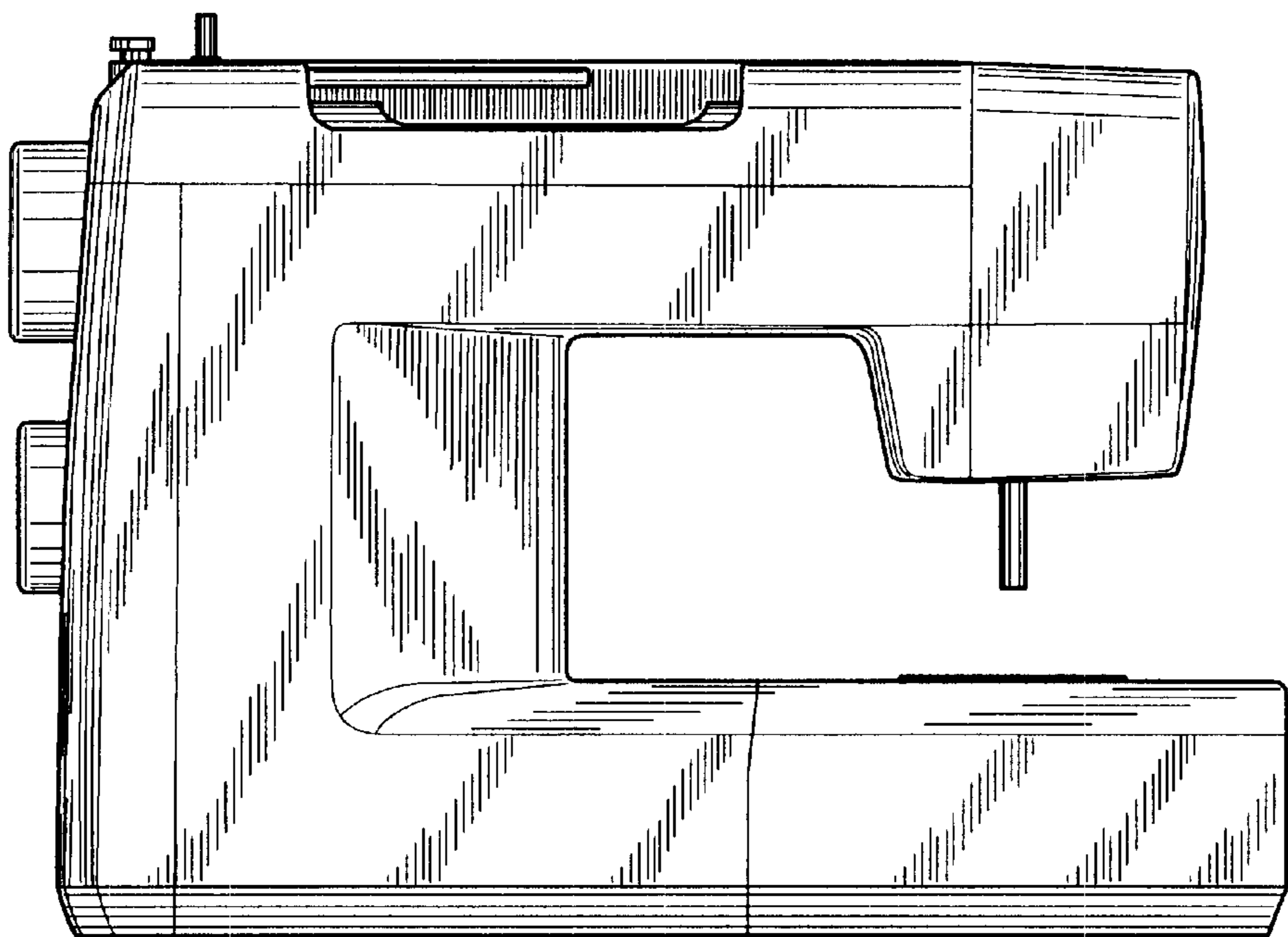


FIG. 4

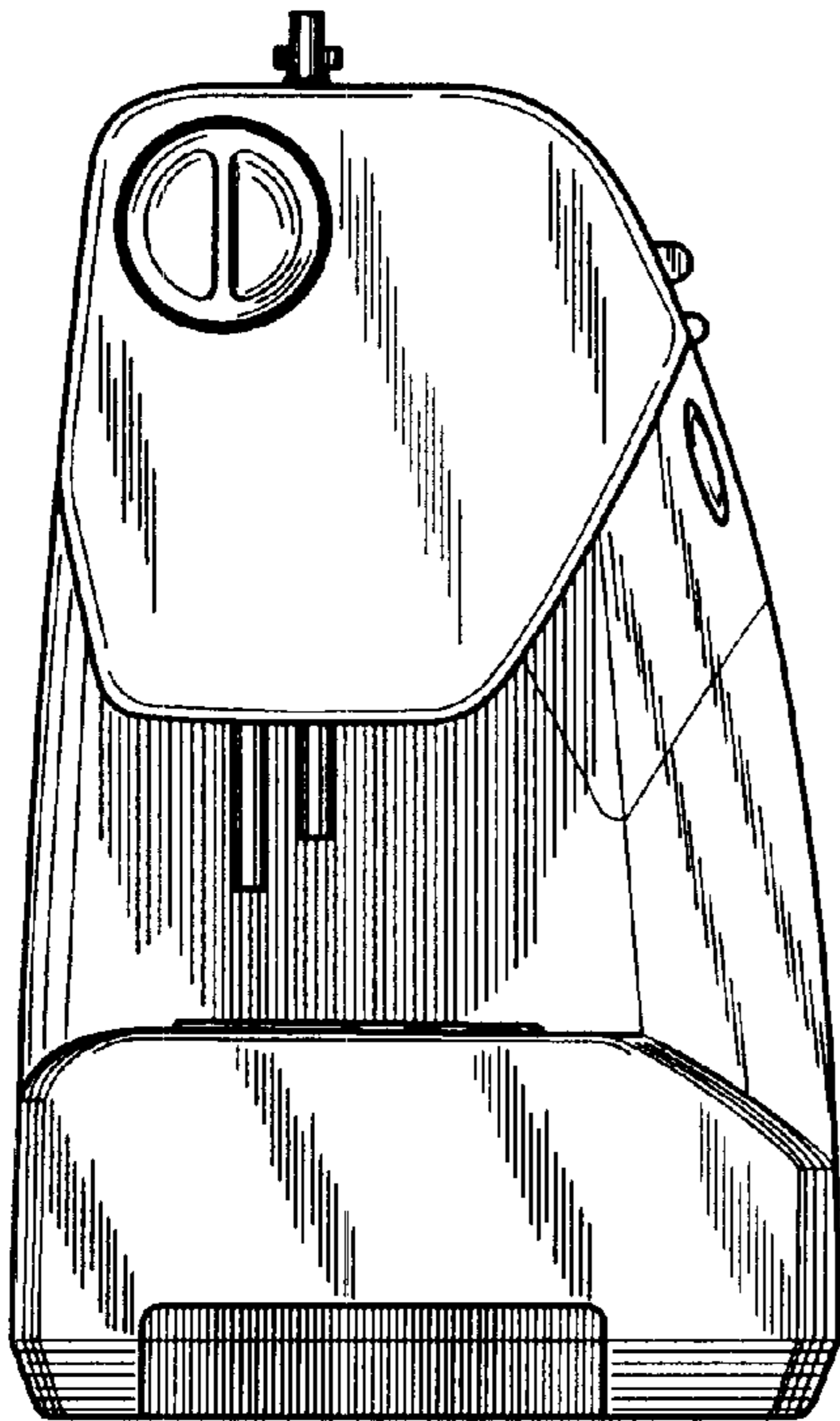


FIG. 5

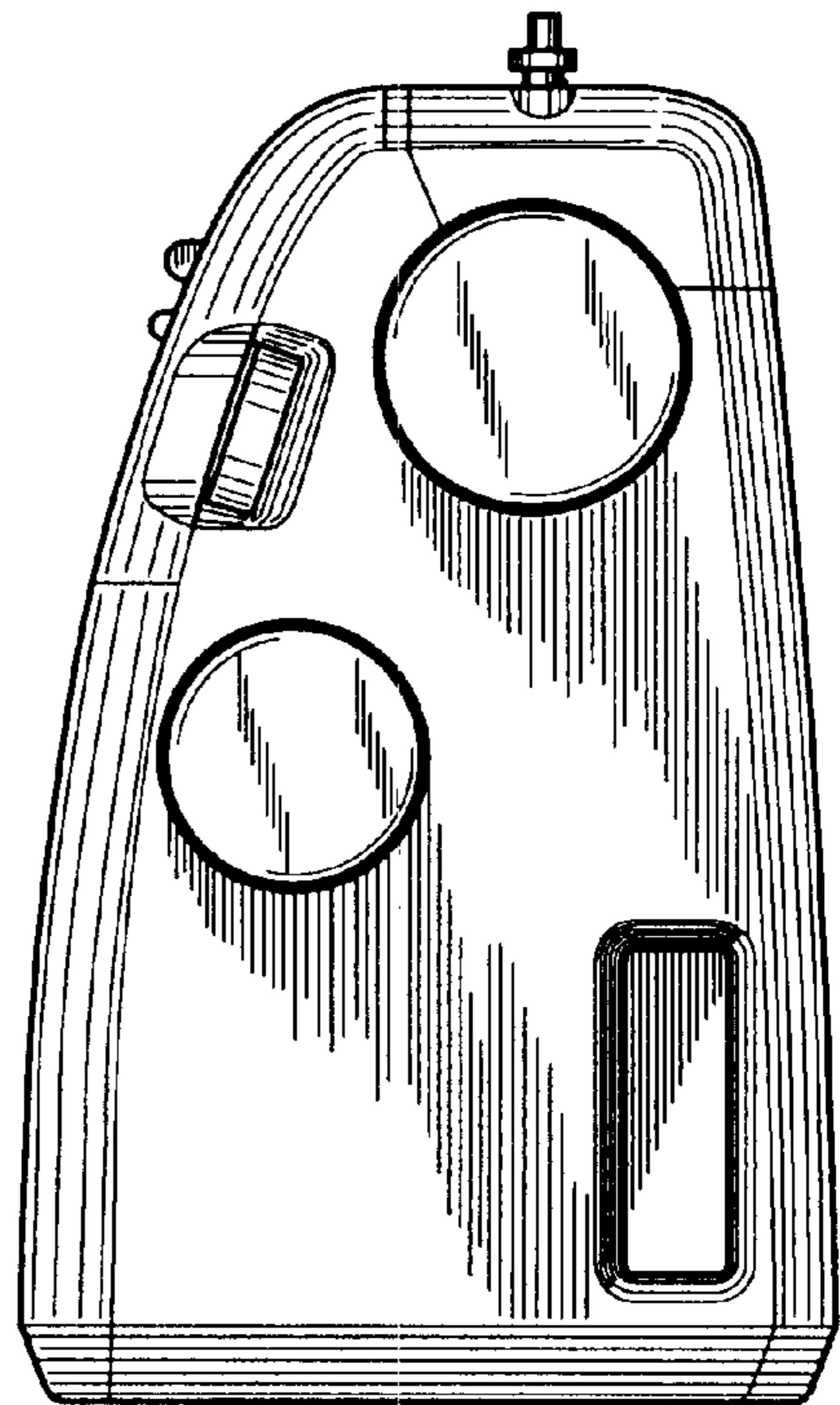


FIG. 7

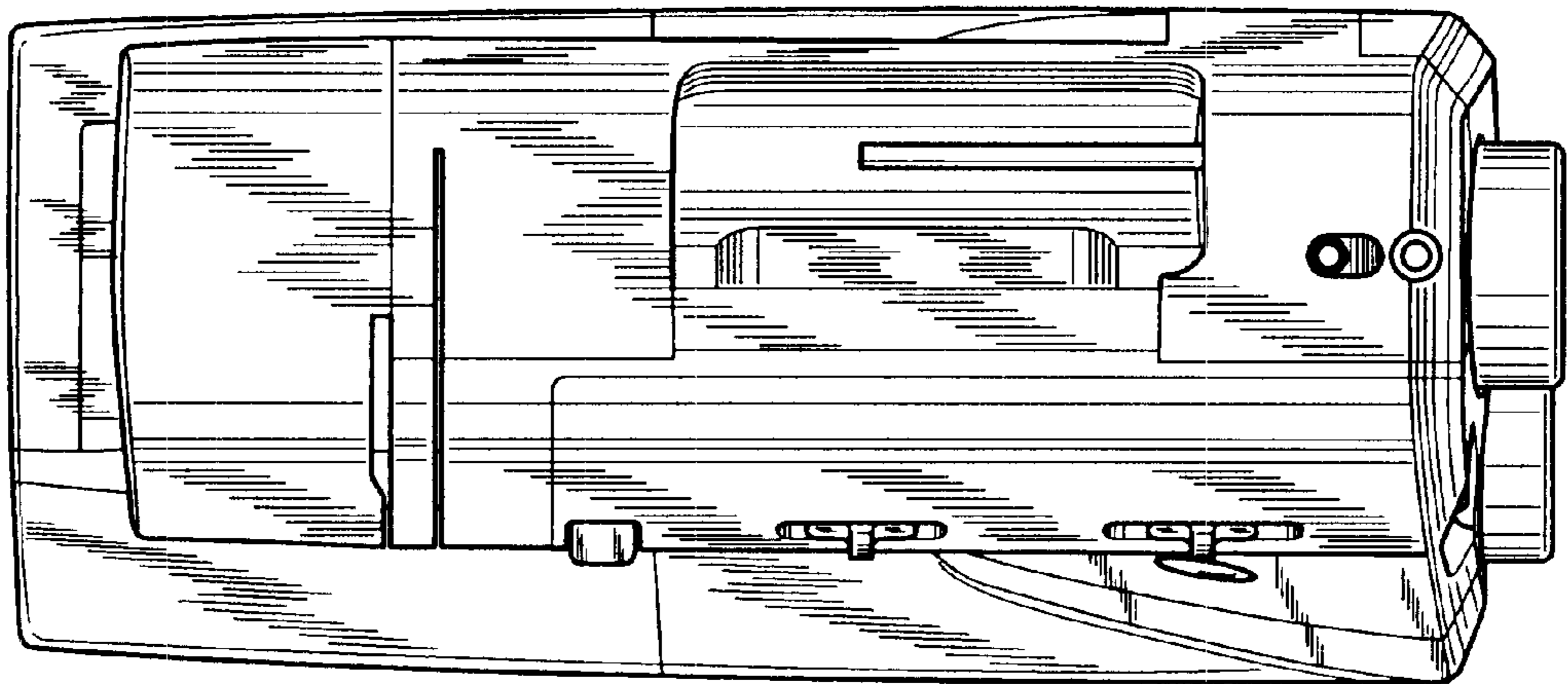


FIG. 8

