

US00D460764S

(12) **United States Design Patent**  
**Ketting et al.**

(10) **Patent No.:** **US D460,764 S**

(45) **Date of Patent:** **\*\* Jul. 23, 2002**

(54) **TOOTH CAP FOR CONSTRUCTION MACHINERY**

(75) Inventors: **Michael Ketting**, Ennepetal; **Wilfried Batke**, Bochum; **Helmut Halama**, Oberhausen, all of (DE); **Marco Ricci**, Novellara Re (IT); **Jürgen Siebeck**, Bochum; **Frank Tintrup**, Herne, both of (DE)

(73) Assignee: **Intertractor GmbH**, Gevelsberg (DE)

(\*\*) Term: **14 Years**

(21) Appl. No.: **29/151,754**

(22) Filed: **Oct. 30, 2001**

**Related U.S. Application Data**

(62) Division of application No. 29/129,271, filed on Sep. 11, 2000.

(30) **Foreign Application Priority Data**

Mar. 11, 2000 (DE) ..... 40002505  
Apr. 12, 2000 (DE) ..... 40003660  
May 4, 2000 (DE) ..... 40004302

(51) **LOC (7) Cl.** ..... **15-03**

(52) **U.S. Cl.** ..... **D15/29**

(58) **Field of Search** ..... D15/29, 10, 11, D15/25, 28; 37/452-456; 172/699, 713

(56) **References Cited**

**U.S. PATENT DOCUMENTS**

3,444,633 A \* 5/1969 Hensley ..... 37/452

3,959,901 A \* 6/1976 Klett ..... 37/452  
D296,442 S \* 6/1988 Broomhall ..... D15/29  
4,965,945 A \* 10/1990 Emrich ..... 37/456  
D328,466 S \* 8/1992 Robinson ..... D15/29  
D329,243 S \* 9/1992 Robinson ..... D15/29  
D365,109 S \* 12/1995 Robinson et al. .... D15/28  
D414,193 S \* 9/1999 Launder et al. .... D15/29  
D417,877 S \* 12/1999 Launder et al. .... D15/29  
D420,014 S \* 1/2000 Karlsson ..... D15/29

\* cited by examiner

*Primary Examiner*—Mitchell Siegel

(74) *Attorney, Agent, or Firm*—Herbert Dubno

(57) **CLAIM**

The ornamental design for a tooth cap for construction machinery, as shown and described.

**DESCRIPTION**

FIG. 1 is a top, front, left-side perspective view of a tooth cap for construction machinery showing our new design;

FIG. 2 is a top plan view thereof, the bottom plan view being identical thereto;

FIG. 3 is a left side-elevational view thereof, the right side-elevational view being mirror symmetrical thereto;

FIG. 4 is a front elevational view thereof;

FIG. 5 is a rear elevational view thereof; and,

FIG. 6 top, front right side perspective views of variants of the tooth cap of FIGS. 1-5 showing our new design.

**1 Claim, 6 Drawing Sheets**

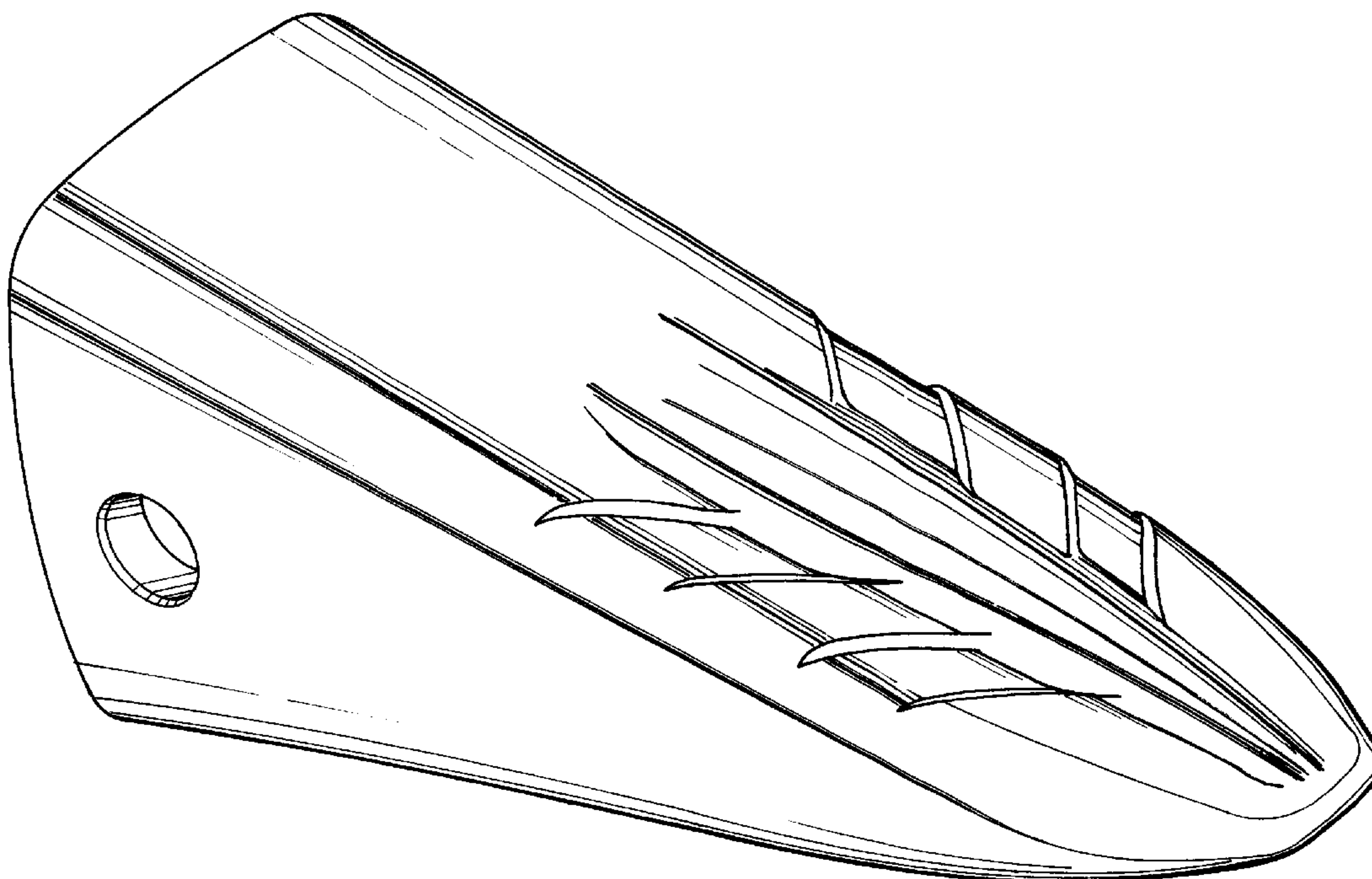
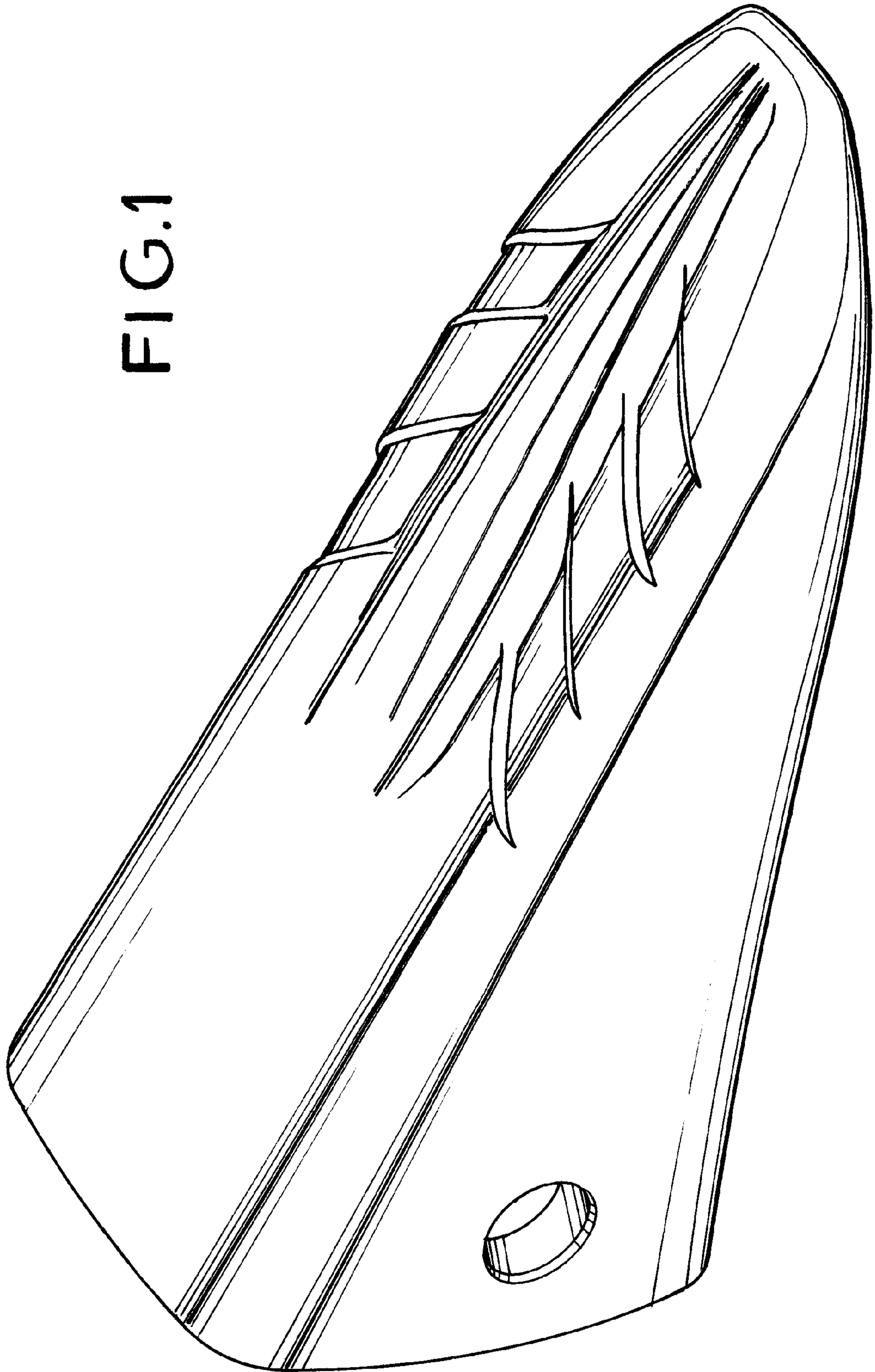


FIG.1



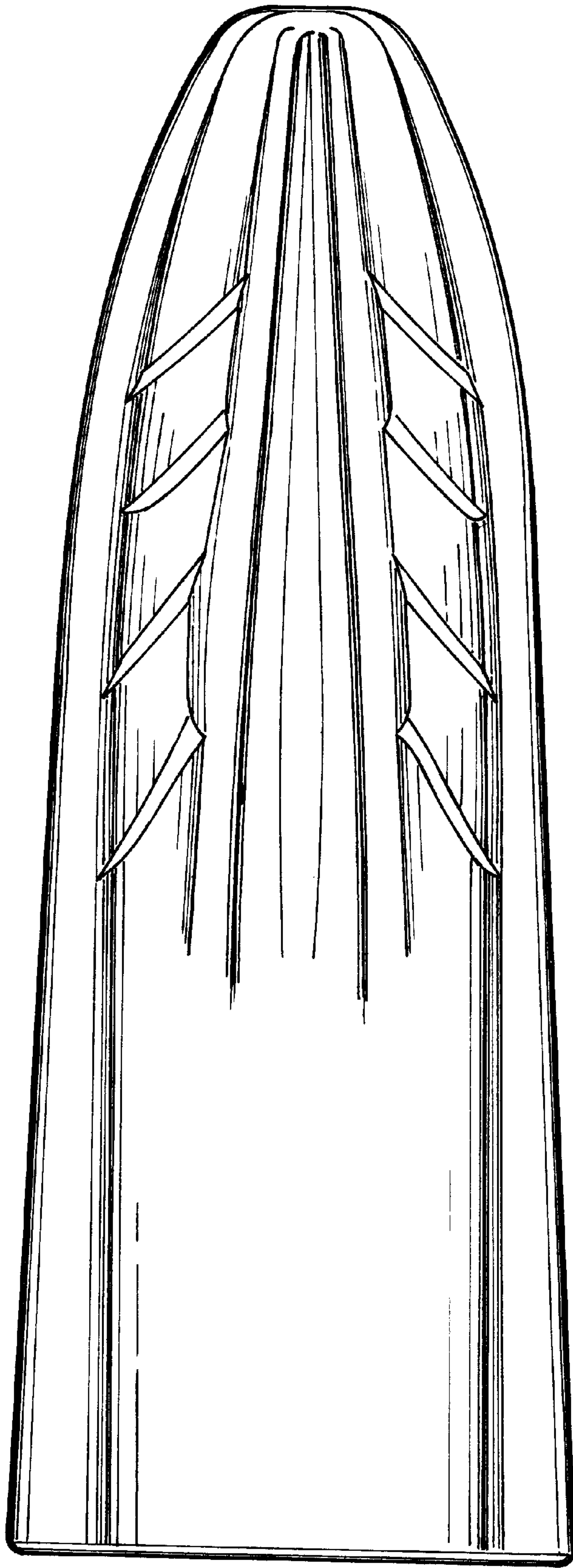
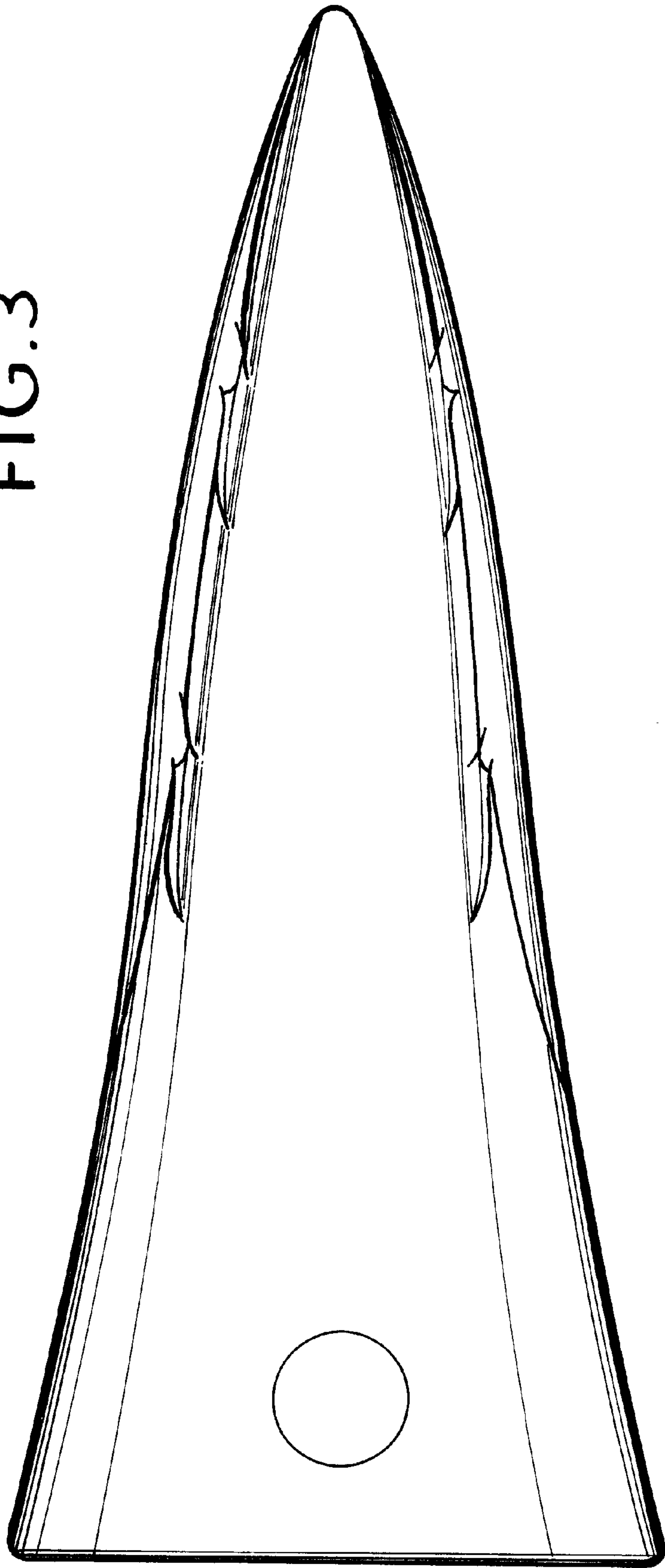


FIG. 2

FIG. 3





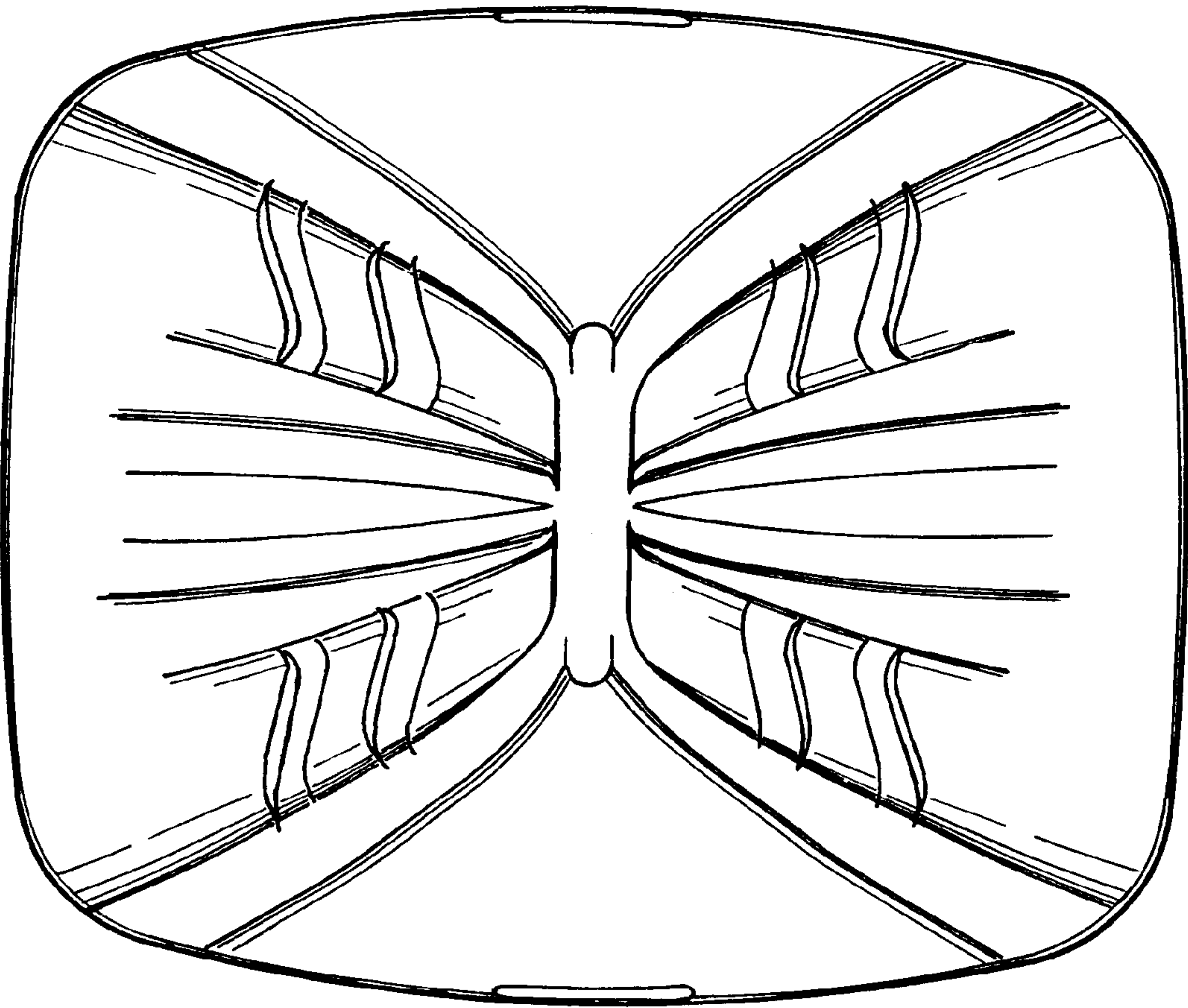


FIG. 4

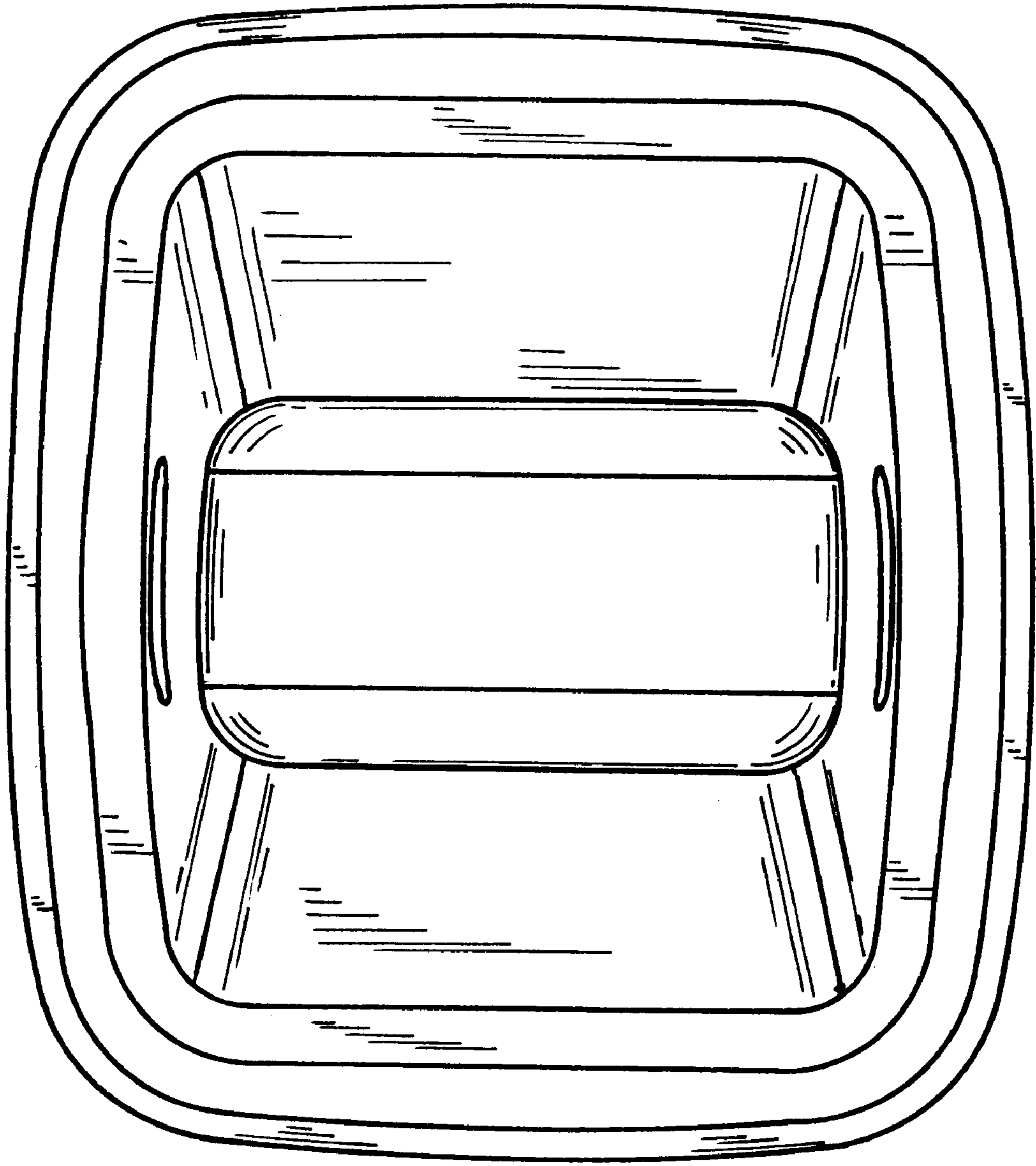


FIG. 5

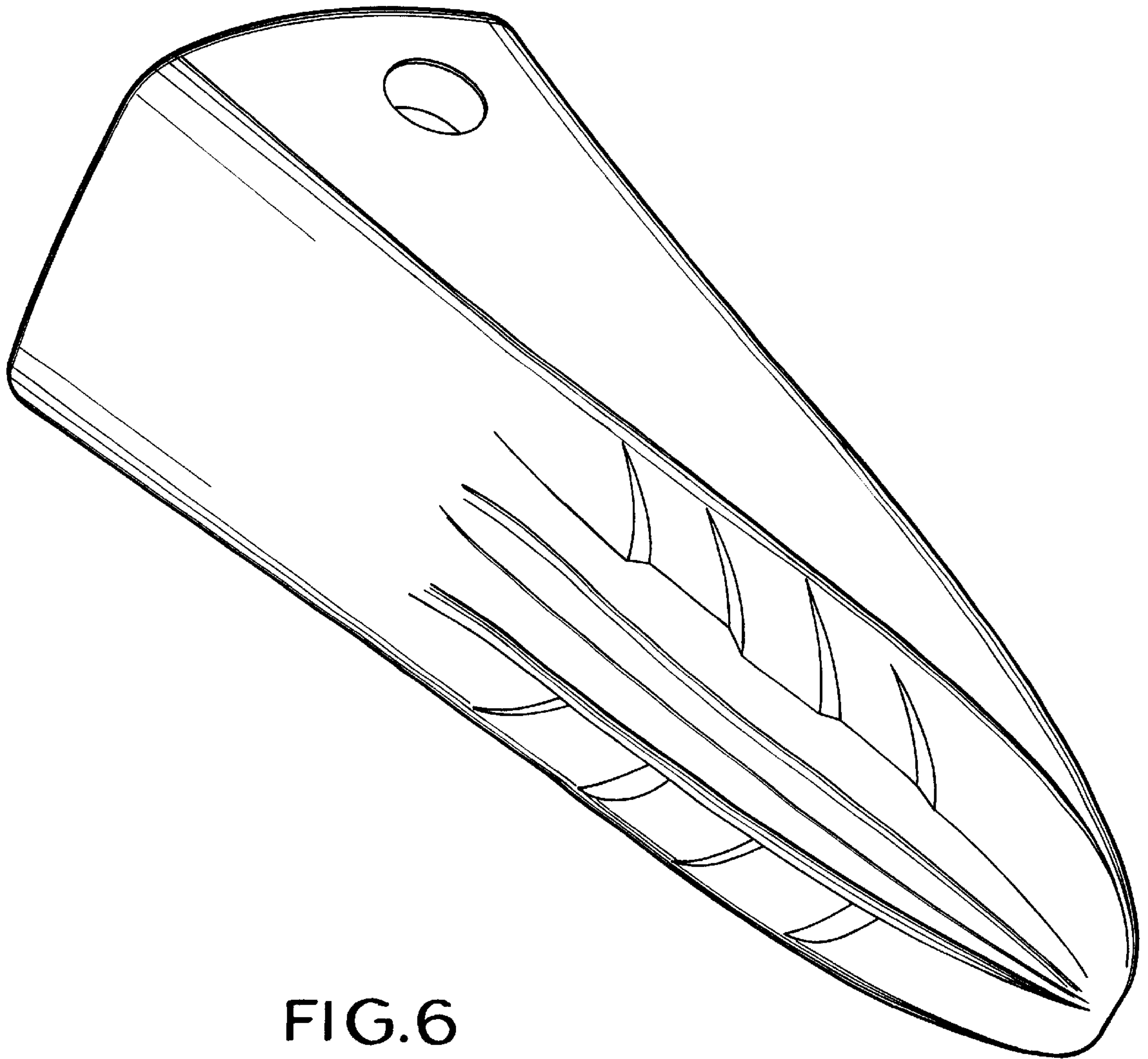


FIG.6