



US00D460761S

(12) **United States Design Patent**
Croley

(10) **Patent No.:** **US D460,761 S**

(45) **Date of Patent:** **** Jul. 23, 2002**

(54) **ADAPTER UNIT FOR A PERSONAL DIGITAL ASSISTANT**

D426,549 S * 6/2000 Carlson D14/433
D434,898 S * 12/2000 Jokinen et al. D3/218
D450,707 S * 11/2001 Francavilla et al. D14/434

(75) Inventor: **Curt D. Croley**, Stony Brook, NY (US)

* cited by examiner

(73) Assignee: **Symbol Technologies, Inc.**, Holtsville, NY (US)

Primary Examiner—Kay H. Chin

(**) Term: **14 Years**

(57) **CLAIM**

(21) Appl. No.: **29/145,464**

The ornamental design for an adapter unit for a personal digital assistant, as shown and described.

(22) Filed: **Jul. 24, 2001**

DESCRIPTION

(51) **LOC (7) Cl.** **14-02**

(52) **U.S. Cl.** **D14/434**

(58) **Field of Search** D14/432-434,
D14/439-447, 300, 356, 357; D13/184,
199; 361/679-687; 200/5 R, 5 A, 6 R,
6 A

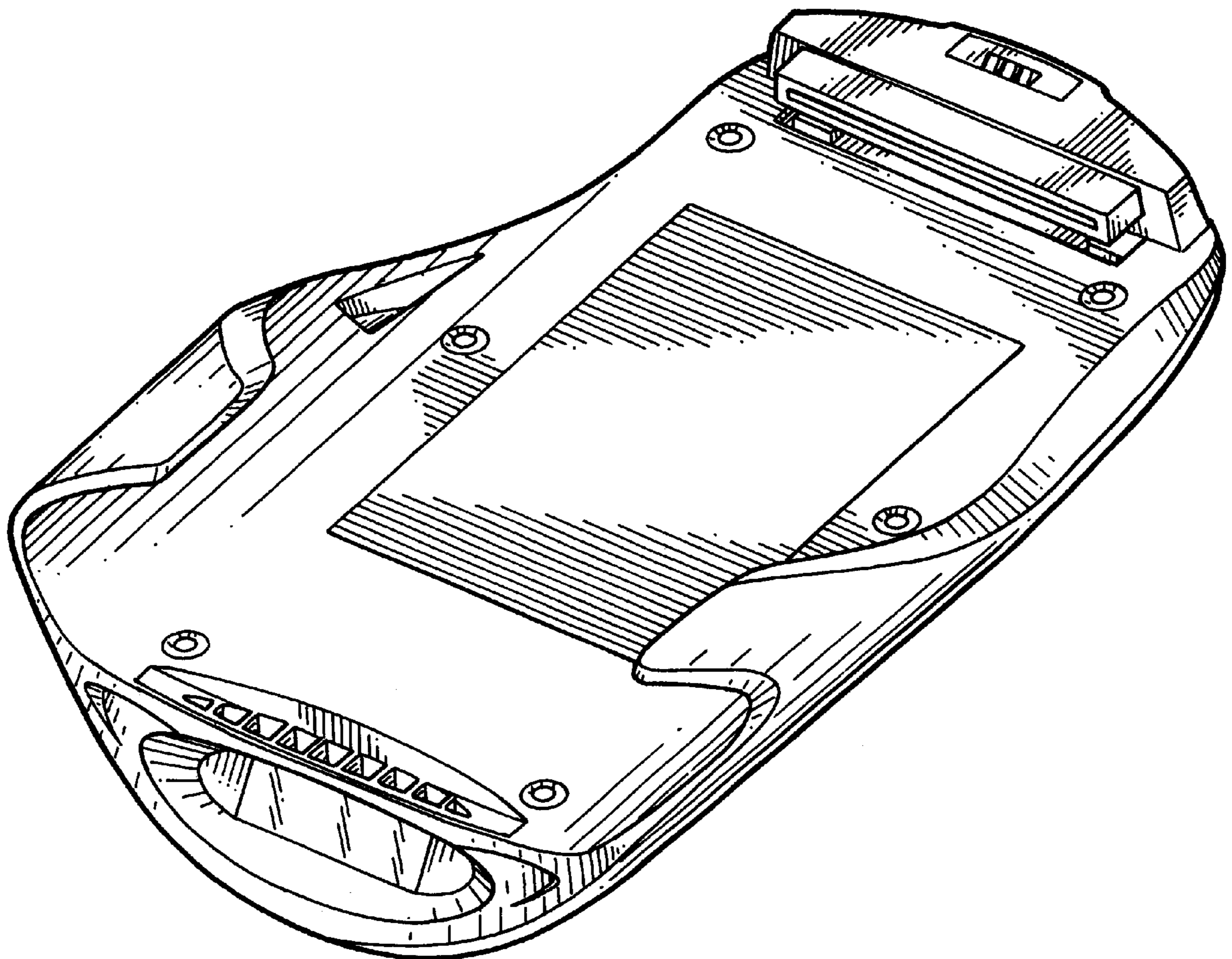
FIG. 1 is a bottom perspective view of an adapter unit for a personal digital assistant showing my new design;
FIG. 2 is a bottom plain view thereof;
FIG. 3 is a top plan view thereof;
FIG. 4 is a side elevation view thereof;
FIG. 5 is a front elevation view thereof; and,
FIG. 6 is a rear elevation view thereof.

(56) **References Cited**

U.S. PATENT DOCUMENTS

D424,035 S * 5/2000 Steiner et al. D14/344

1 Claim, 6 Drawing Sheets



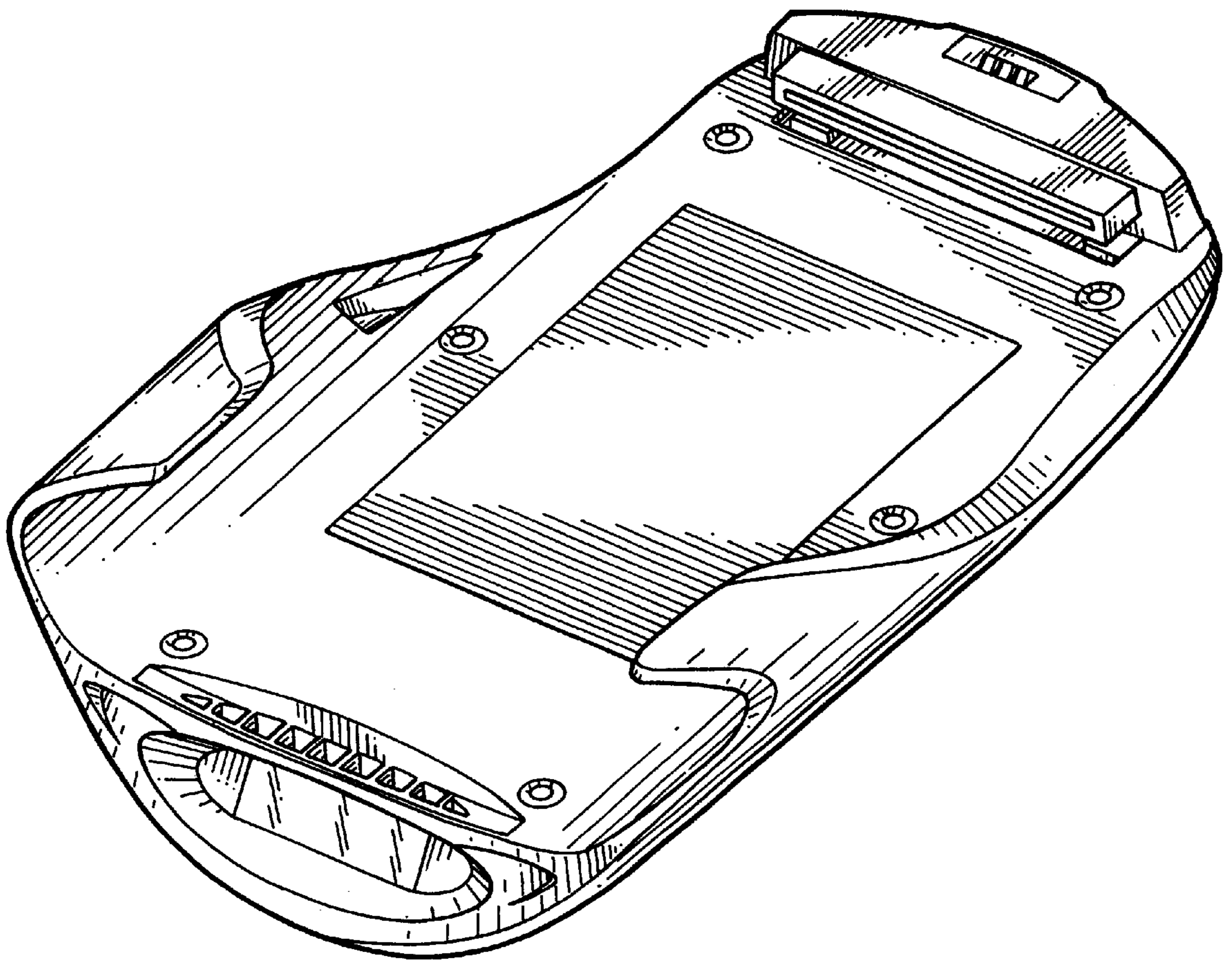


FIG. 1

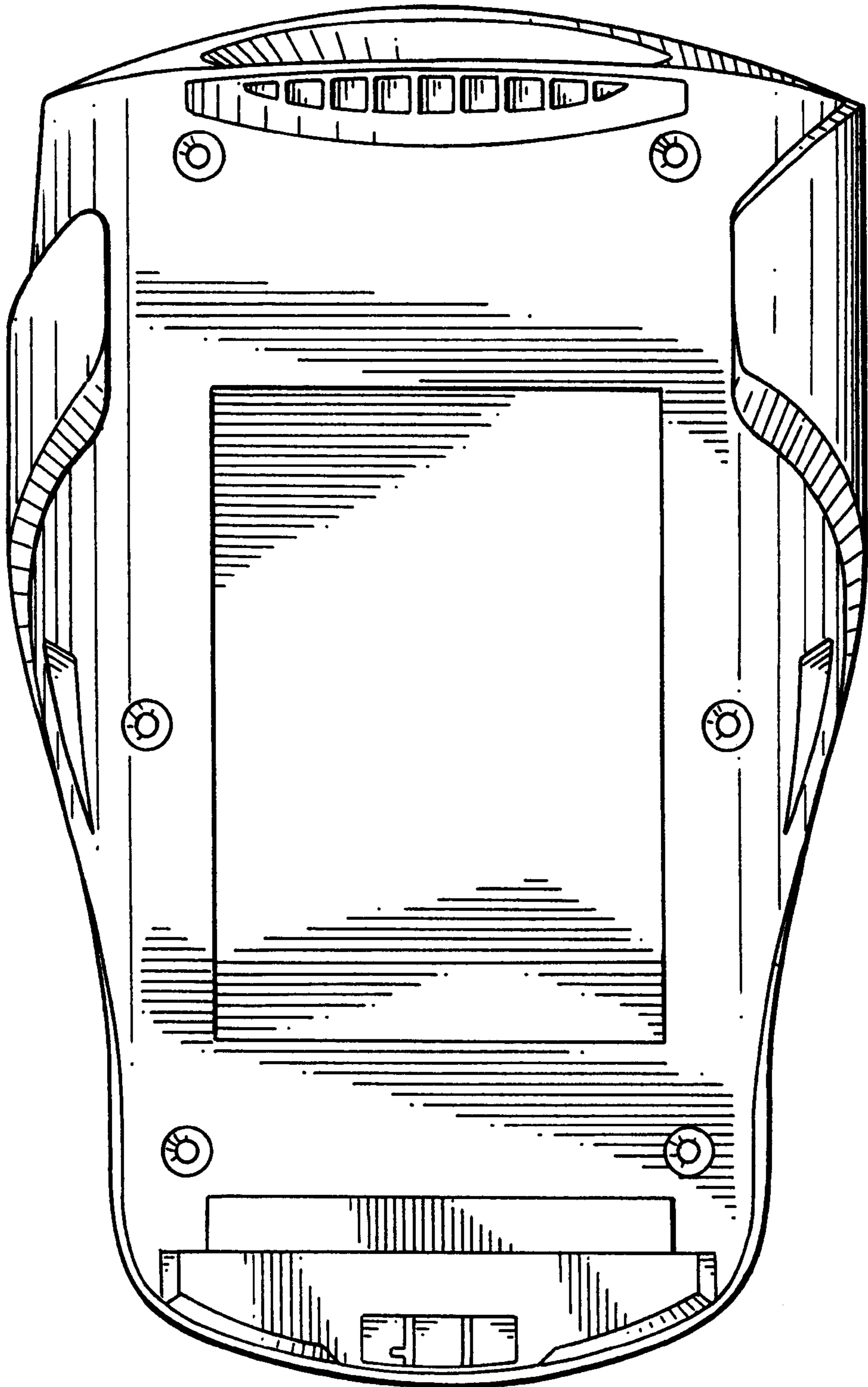


FIG. 2

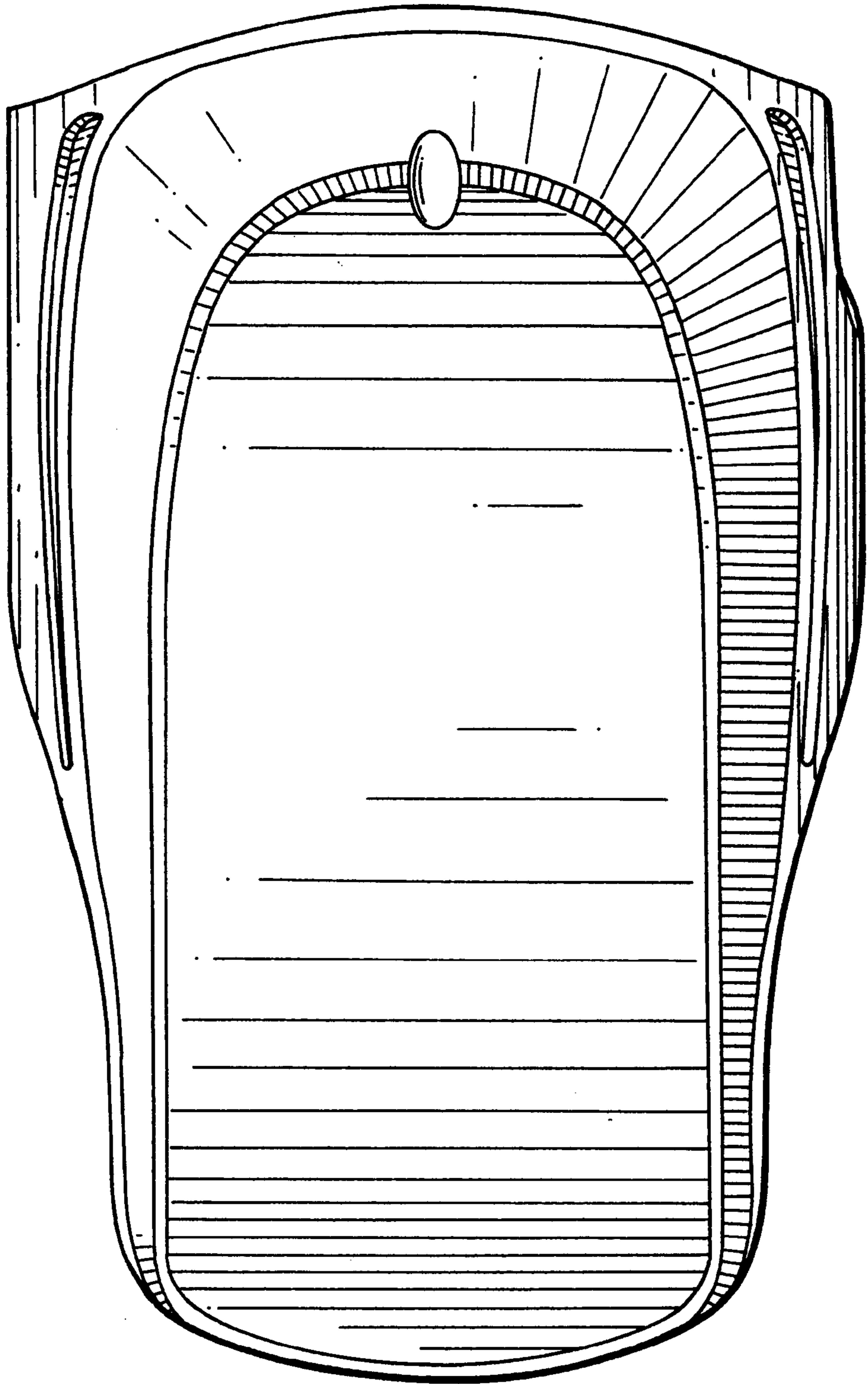


FIG. 3

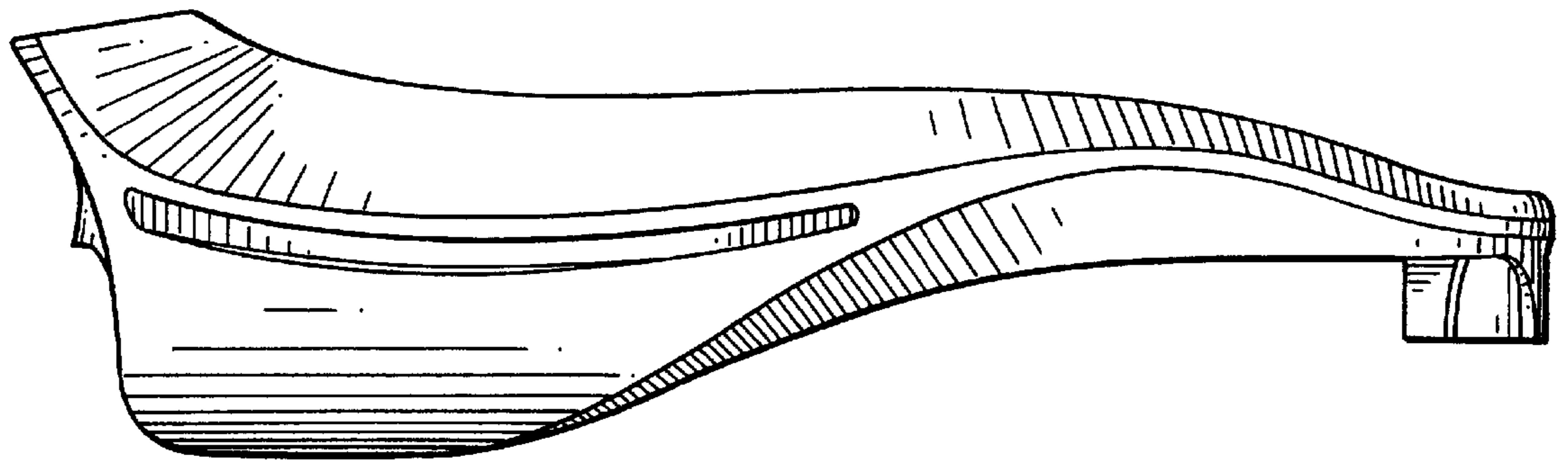


FIG. 4

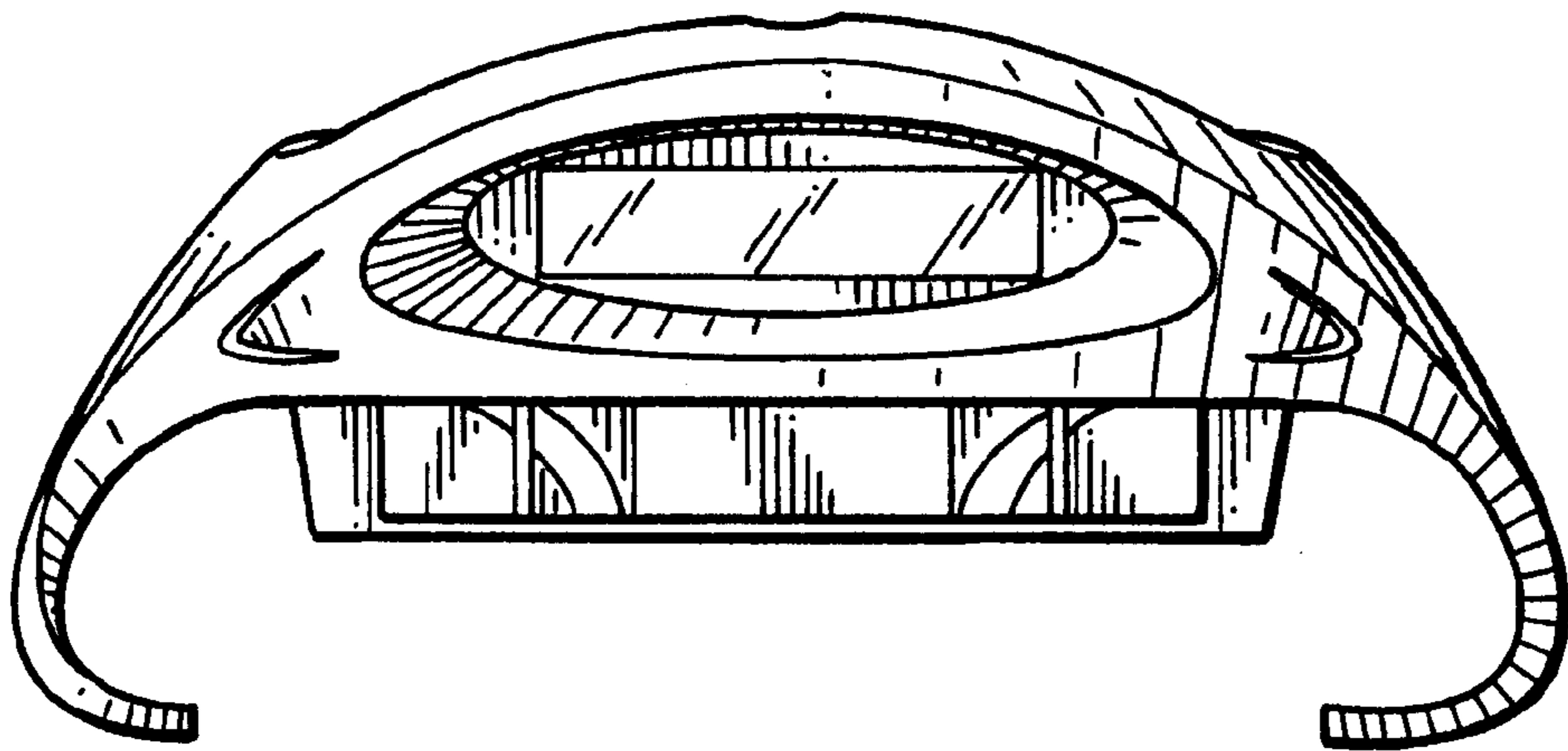


FIG. 5

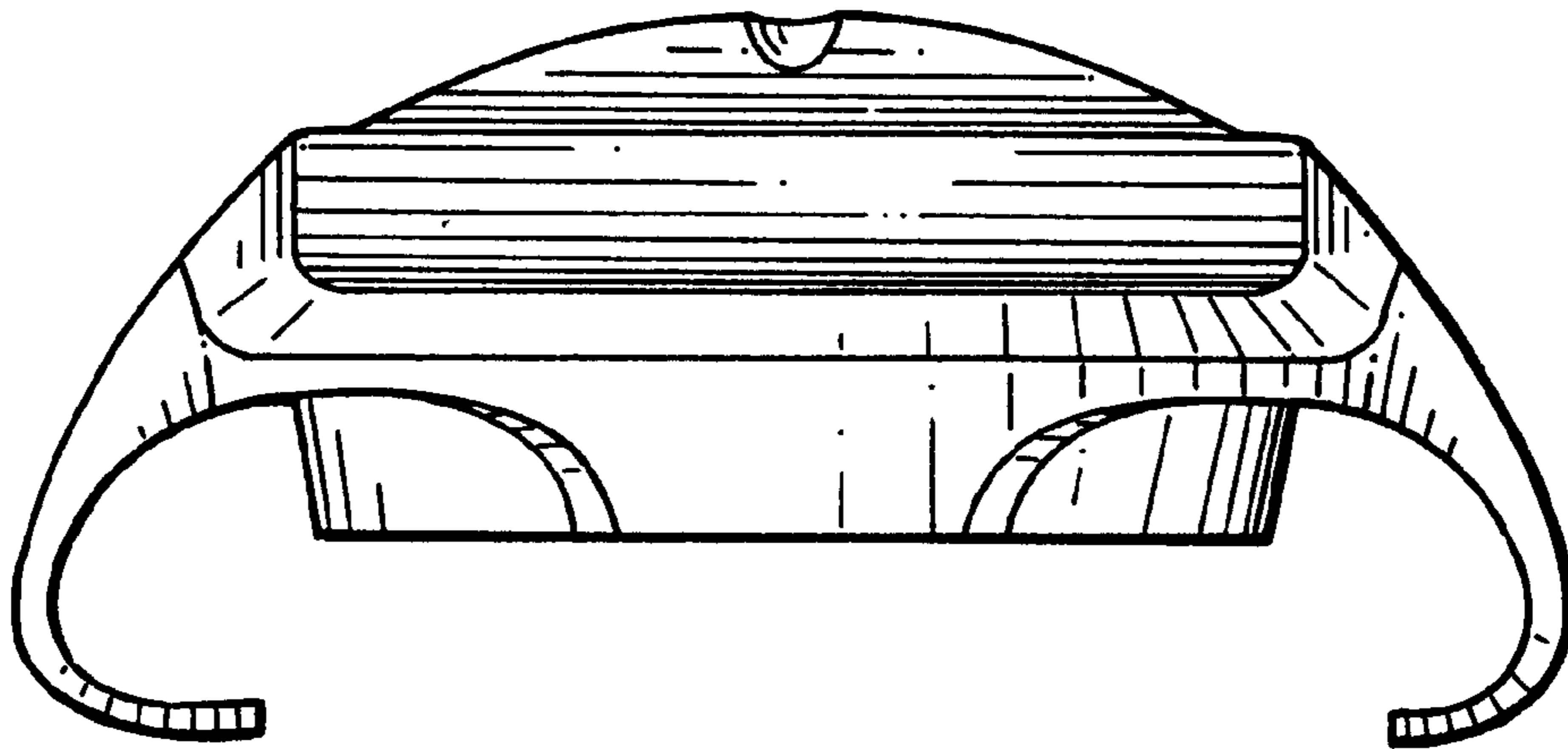


FIG. 6