



US00D460745S

(12) **United States Design Patent**  
**Kanatani**

(10) **Patent No.:** **US D460,745 S**

(45) **Date of Patent:** **\*\* Jul. 23, 2002**

(54) **TELEVISION RECEIVER**

(75) Inventor: **Masakazu Kanatani**, Tokyo (JP)

(73) Assignee: **Sony Corporation**, Tokyo (JP)

(\*\*) Term: **14 Years**

(21) Appl. No.: **29/149,186**

(22) Filed: **Oct. 5, 2001**

(51) **LOC (7) Cl.** ..... **14-03**

(52) **U.S. Cl.** ..... **D14/126**

(58) **Field of Search** ..... D14/125-134,  
D14/239, 371, 374-382; 312/7.2; 348/836,  
838; 248/917-924

(56) **References Cited**

**U.S. PATENT DOCUMENTS**

D410,917 S	*	6/1999	Novak	.....	D14/133
D412,891 S		8/1999	Sumii		
D425,502 S	*	5/2000	Renk	.....	D14/126
D440,950 S	*	4/2001	Oe et al.	.....	D14/126
D445,098 S		7/2001	Matsuoka et al.		

**OTHER PUBLICATIONS**

Catalog "FB Trinitron WEGA", pp. 22 & 23, Sony Corporation (Feb. 2000).

\* cited by examiner

*Primary Examiner*—Raphael Barkai

(74) *Attorney, Agent, or Firm*—Rader, Fishman & Grauer, PLLC

(57) **CLAIM**

The ornamental design for a television receiver, as shown and described.

**DESCRIPTION**

FIG. 1 is a perspective view of a television receiver showing my new design;

FIG. 2 is a front elevational view thereof;

FIG. 3 is a rear elevational view thereof;

FIG. 4 is a left side elevational view thereof;

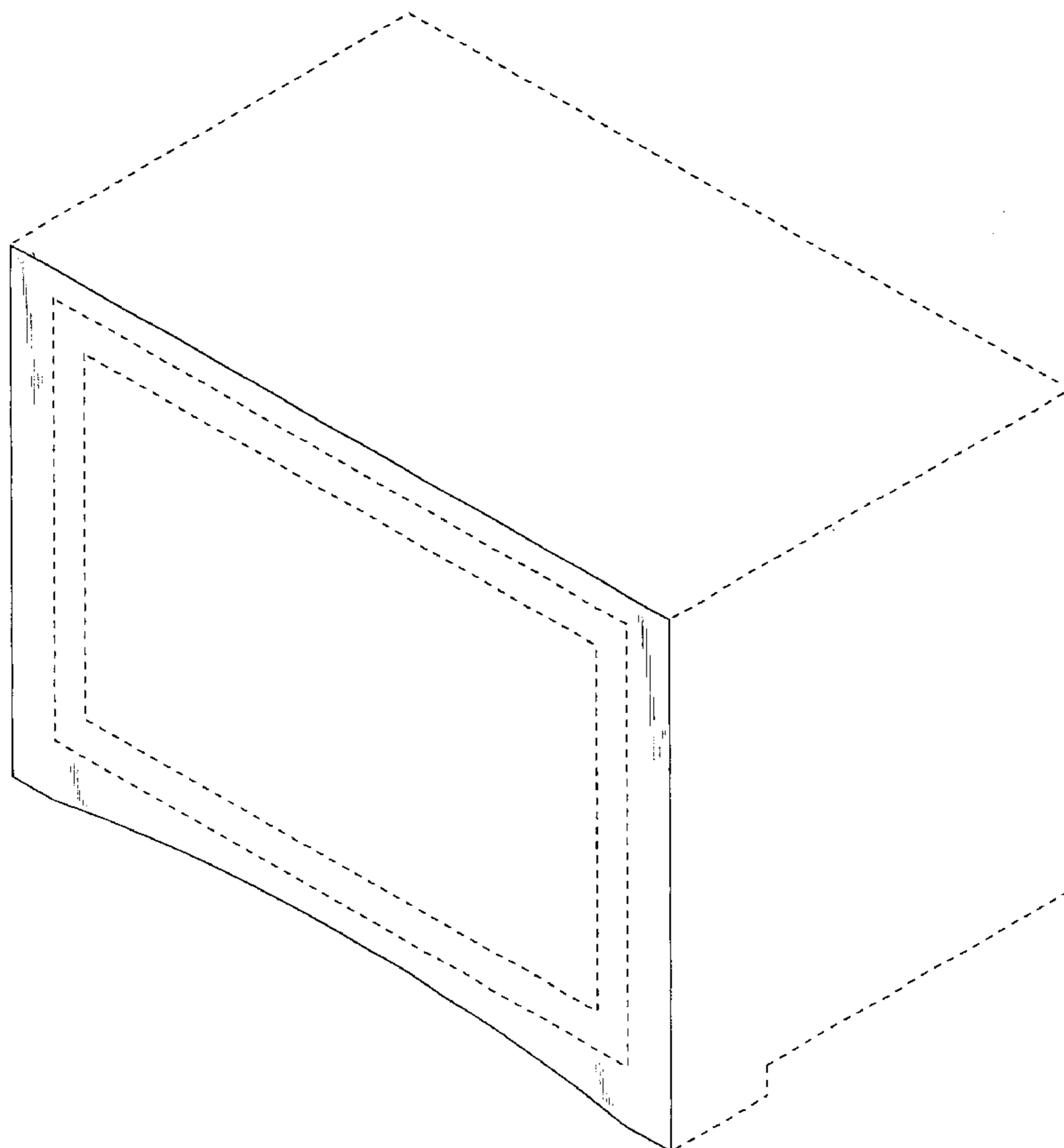
FIG. 5 is a right side elevational view thereof;

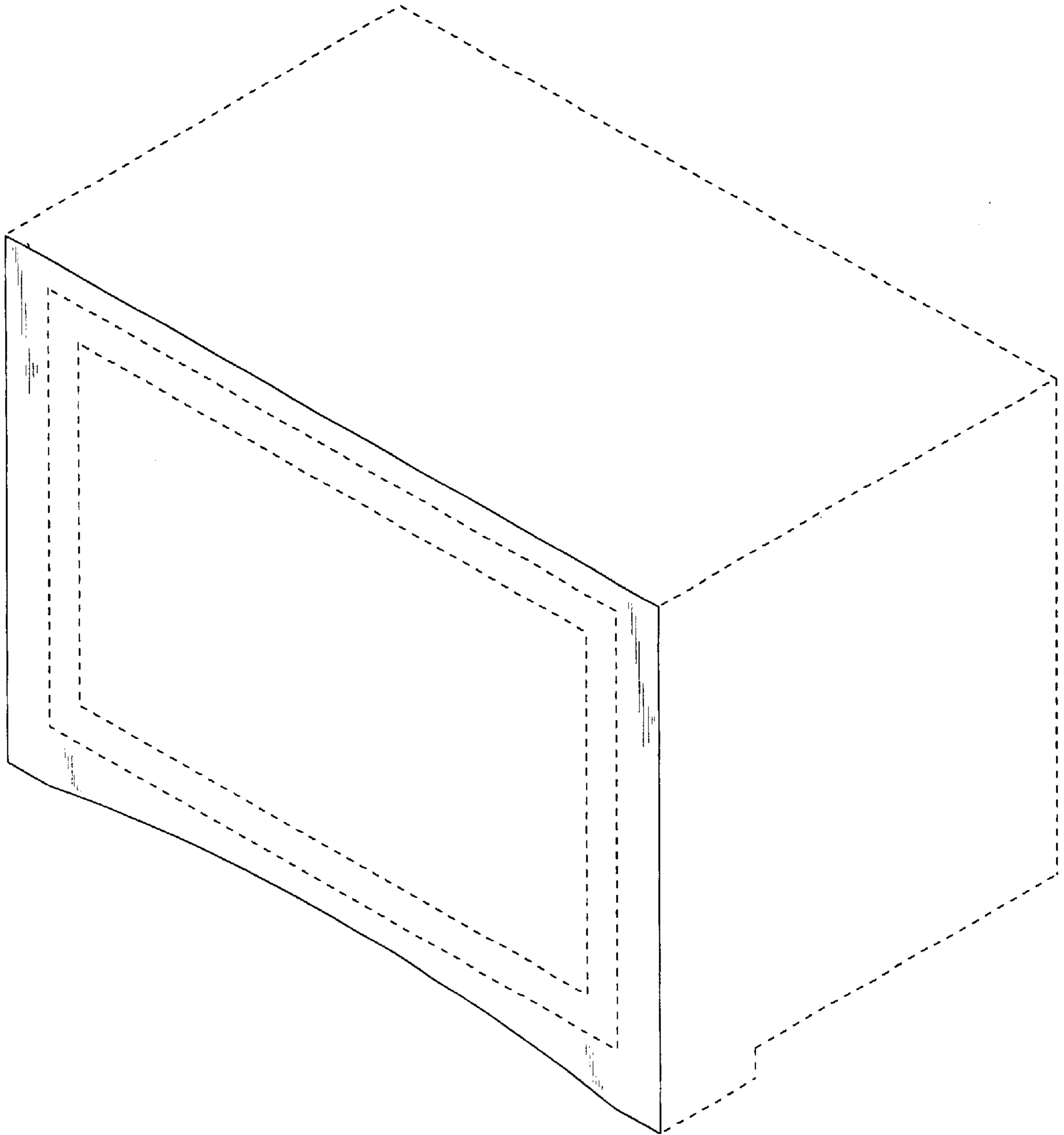
FIG. 6 is a top plan view thereof; and,

FIG. 7 is a bottom plan view thereof.

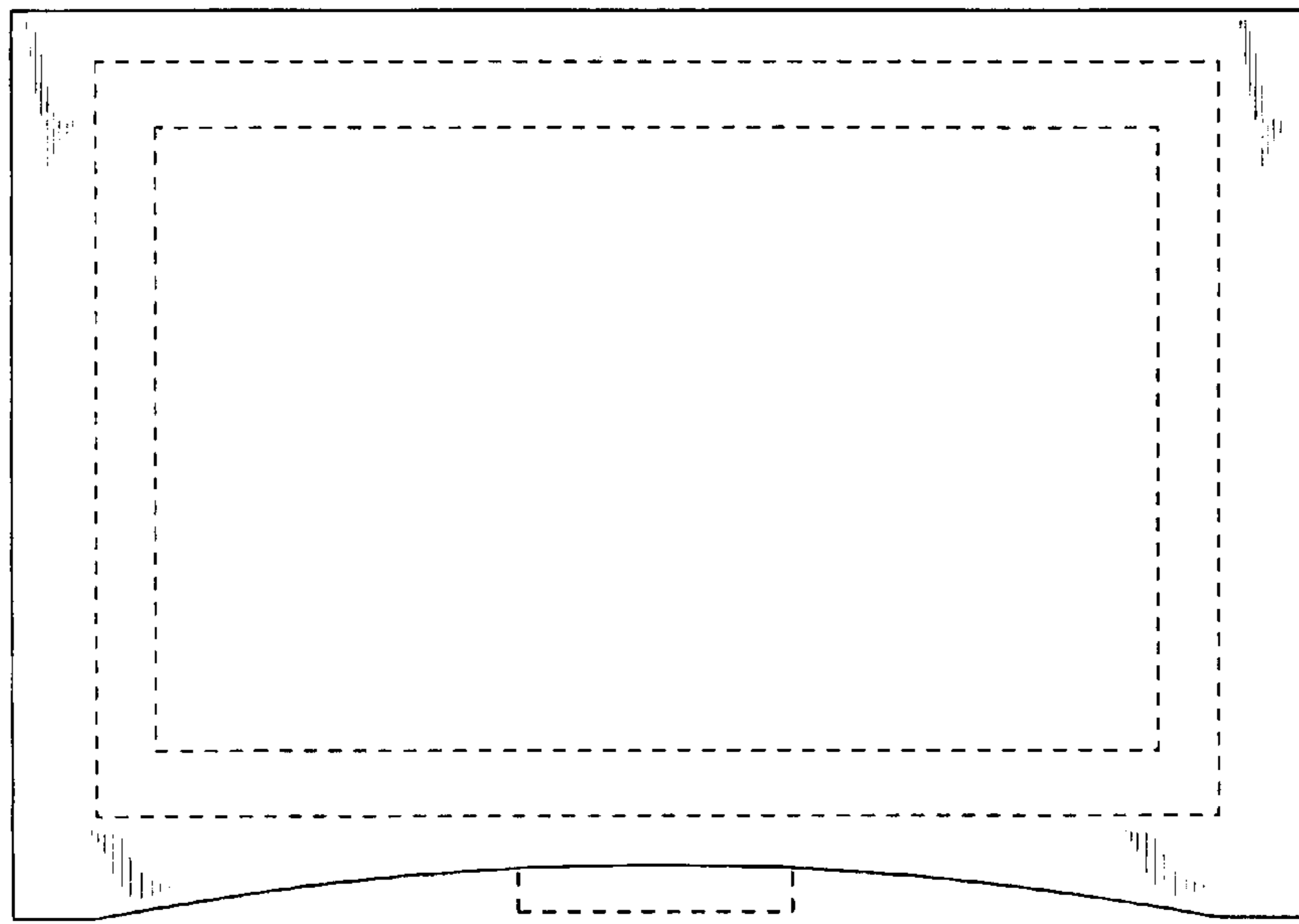
Portions in broken lines are for illustrative purposes only and form no part of the claimed design.

**1 Claim, 4 Drawing Sheets**

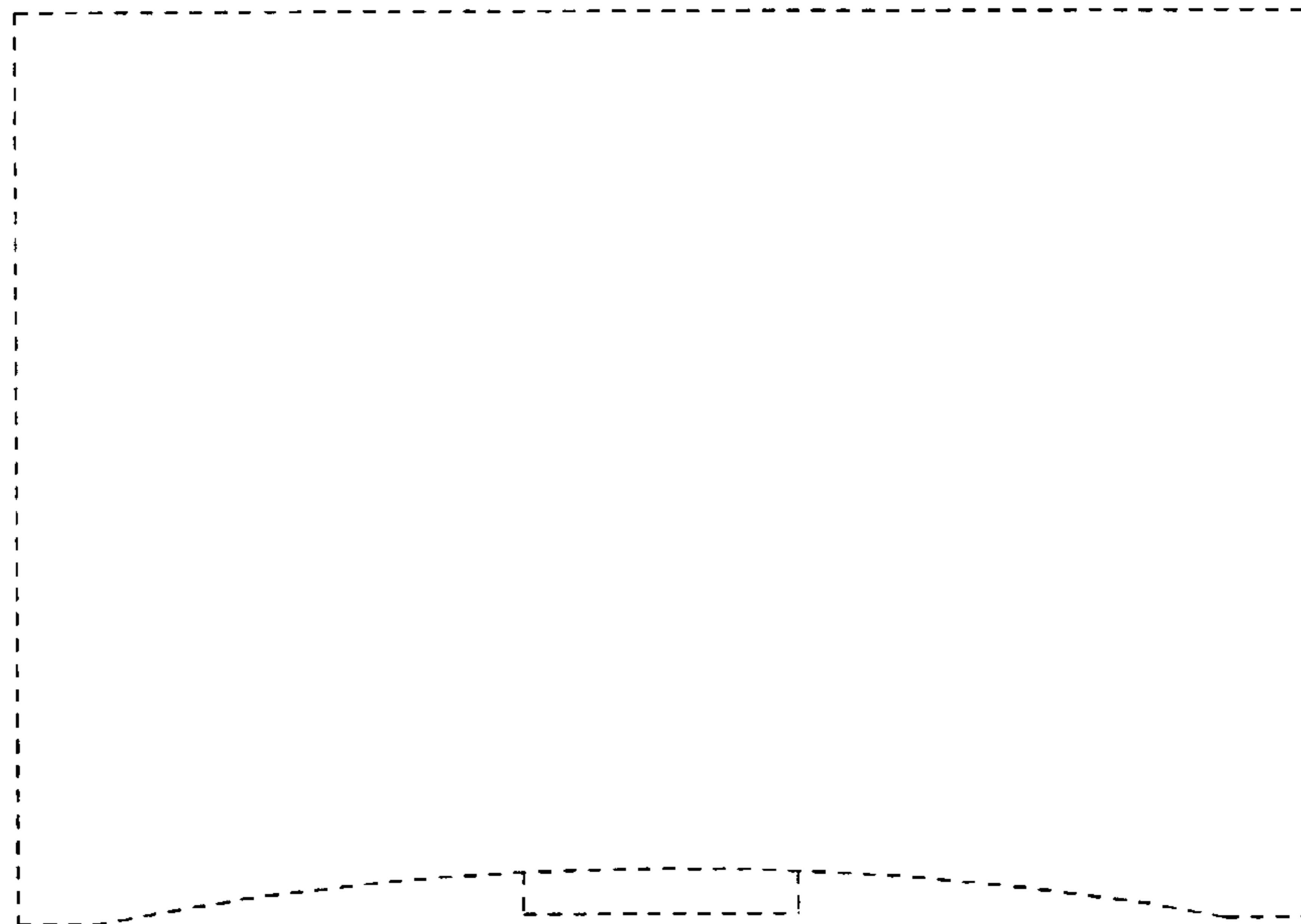




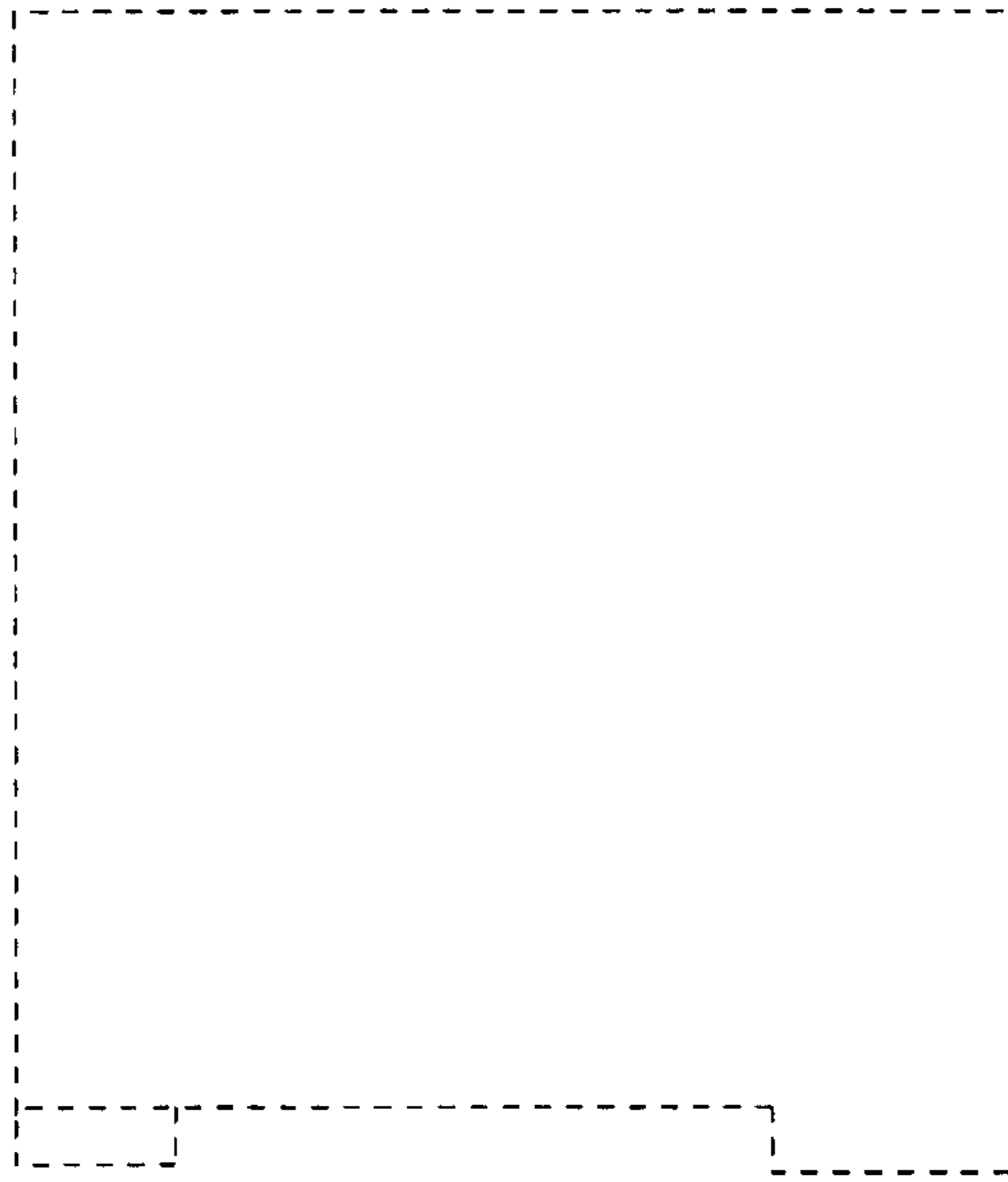
**Fig. 1**



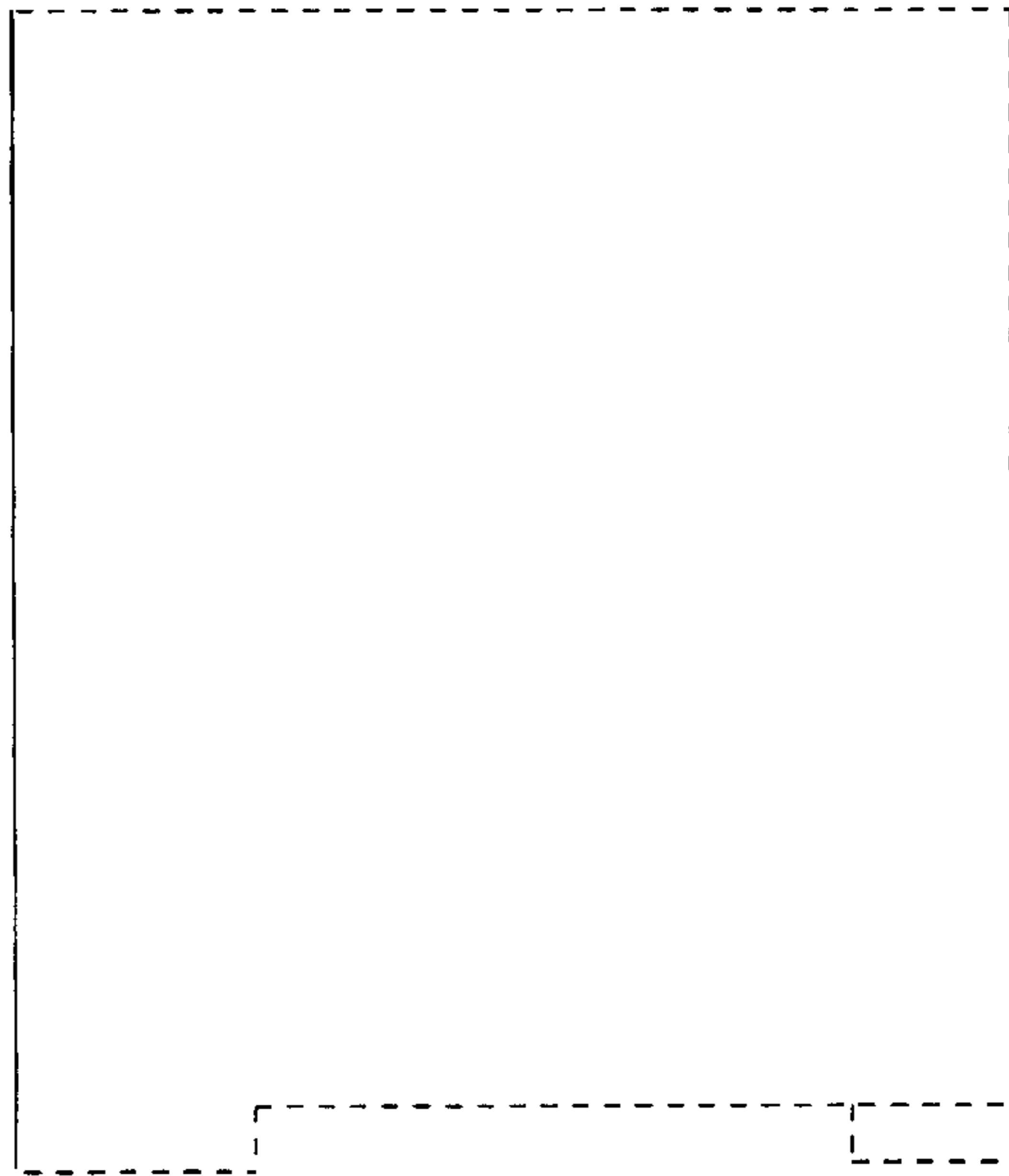
**Fig. 2**



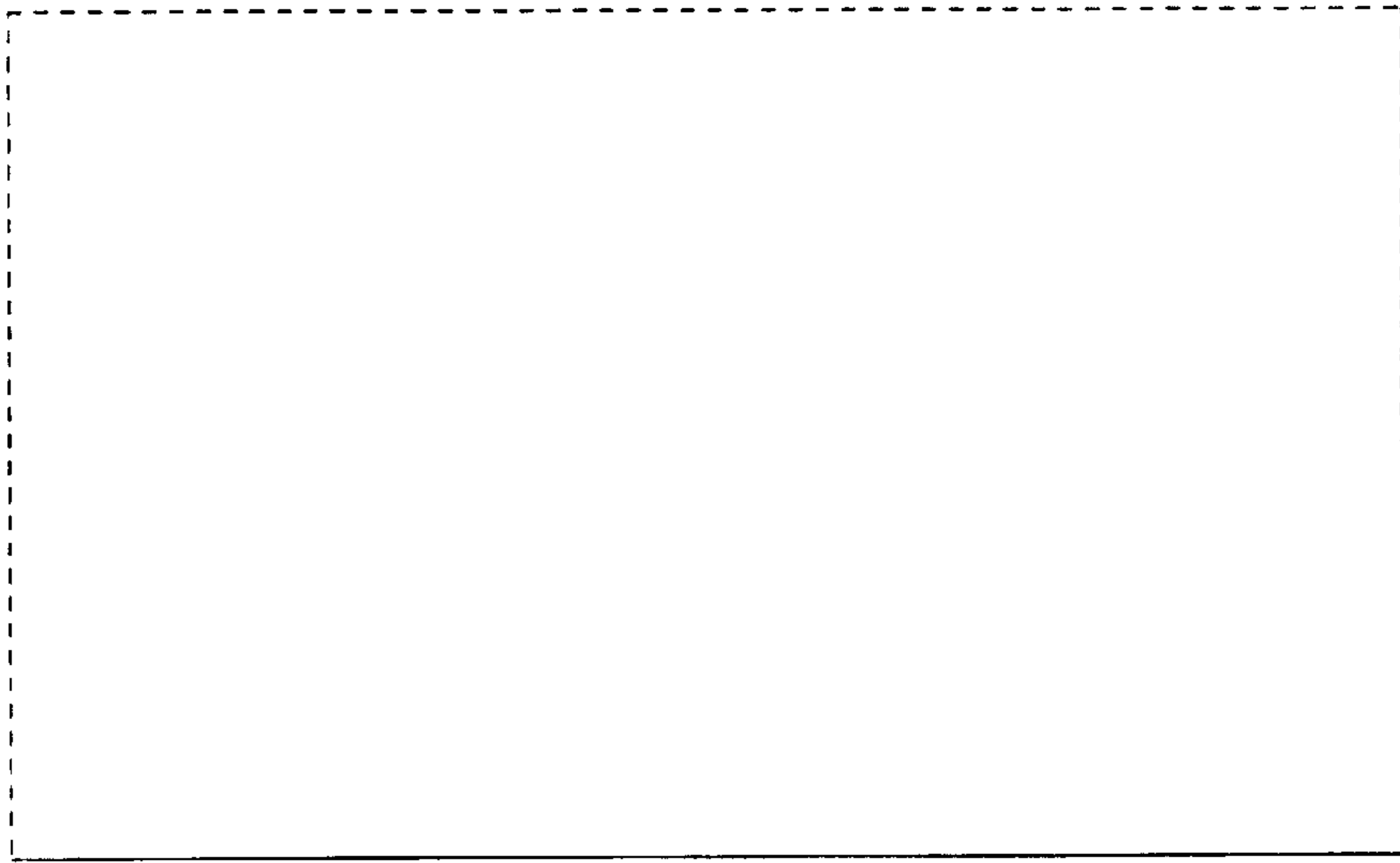
**Fig. 3**



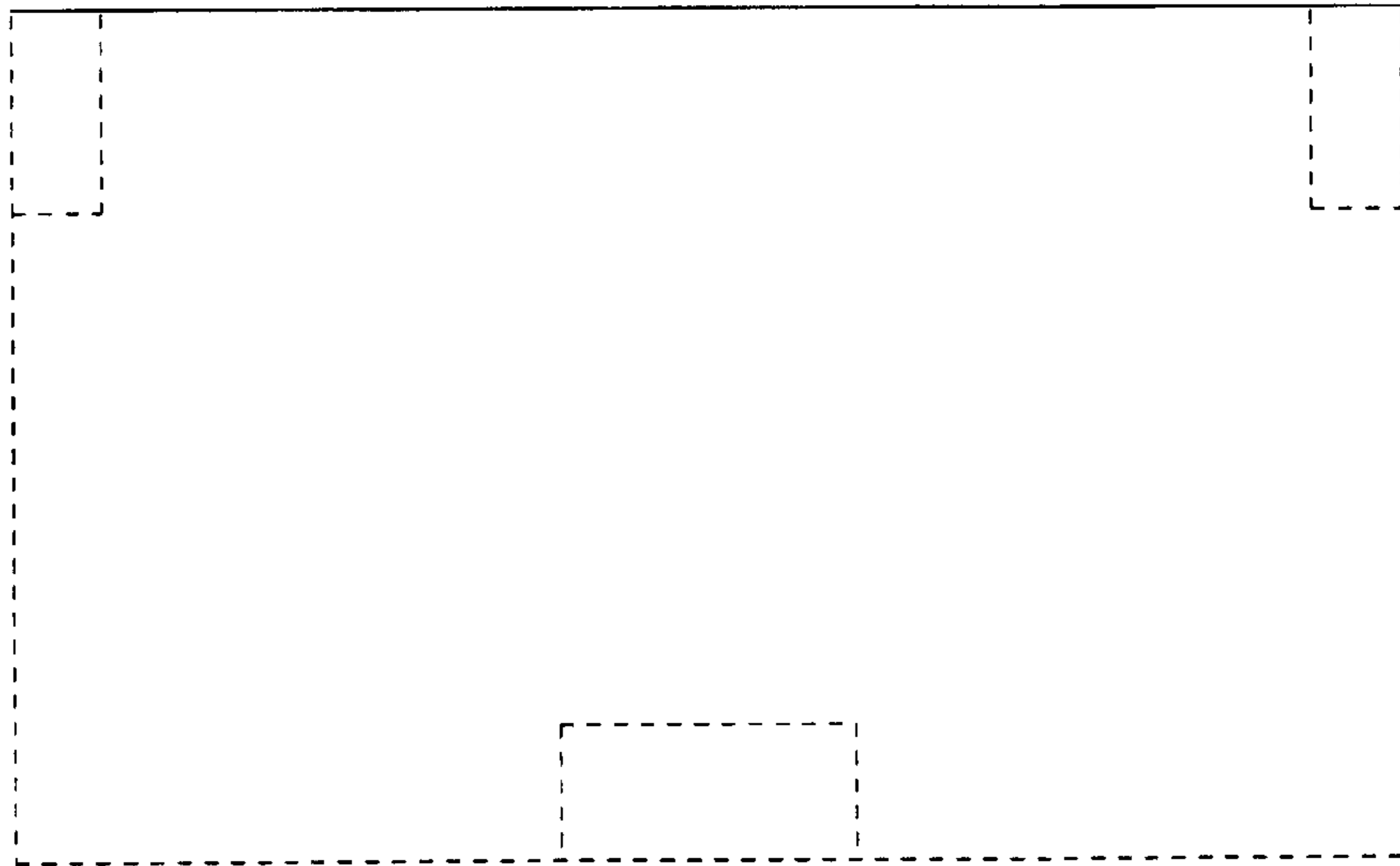
**Fig. 4**



**Fig. 5**



**Fig. 6**



**Fig. 7**