



US00D460743S

(12) **United States Design Patent**  
**Nakamura**

(10) **Patent No.:** **US D460,743 S**

(45) **Date of Patent:** **\*\* Jul. 23, 2002**

(54) **FIXING AND/OR SUPPORTING DEVICE  
FOR A CIRCUIT BOARD**

(75) **Inventor:** **Toshinobu Nakamura, Tokyo (JP)**

(73) **Assignee:** **Shinagawa Shoko Co., Ltd., Tokyo (JP)**

(\*\*) **Term:** **14 Years**

(21) **Appl. No.:** **29/142,676**

(22) **Filed:** **May 31, 2001**

(51) **LOC (7) Cl.** ..... **13-03**

(52) **U.S. Cl.** ..... **D13/182**

(58) **Field of Search** ..... D13/182, 110,  
D13/123, 146, 154, 158, 199; D8/330-331,  
338, 341, 343, 354, 356, 382, 386; D10/46,  
75; 29/829-853; 174/250-268; 216/13;  
292/314; 361/400, 403, 417, 724, 728,  
752-753, 748, 798, 718; 411/500; 428/901;  
470/27

(56) **References Cited**

**U.S. PATENT DOCUMENTS**

D312,616 S	*	12/1990	Makita et al.	.....	D13/154
D369,291 S	*	4/1996	Nakamura	.....	D8/354
D392,544 S	*	3/1998	Nakamura	.....	D8/354
D392,545 S	*	3/1998	Nakamura	.....	D8/354
D431,175 S	*	9/2000	Lodi	.....	D8/354

**OTHER PUBLICATIONS**

U.S. patent application Ser. No. 29/131,216, filed Oct. 16, 2000, Inventor: Toshinobu Nakamura.

\* cited by examiner

*Primary Examiner*—Ted Shooman

*Assistant Examiner*—Daniel Bui

(74) *Attorney, Agent, or Firm*—Frishauf, Holtz, Goodman & Chick, P.C.

(57) **CLAIM**

The ornamental design for a fixing and/or supporting device for a circuit board, as shown and described.

**DESCRIPTION**

FIG. 1 is a front, top and left side perspective view of a fixing and/or supporting device for a circuit board, showing my new design;

FIG. 2 is a front elevational view thereof;

FIG. 3 is a rear elevational view thereof;

FIG. 4 is a top plan view thereof;

FIG. 5 is a bottom view thereof;

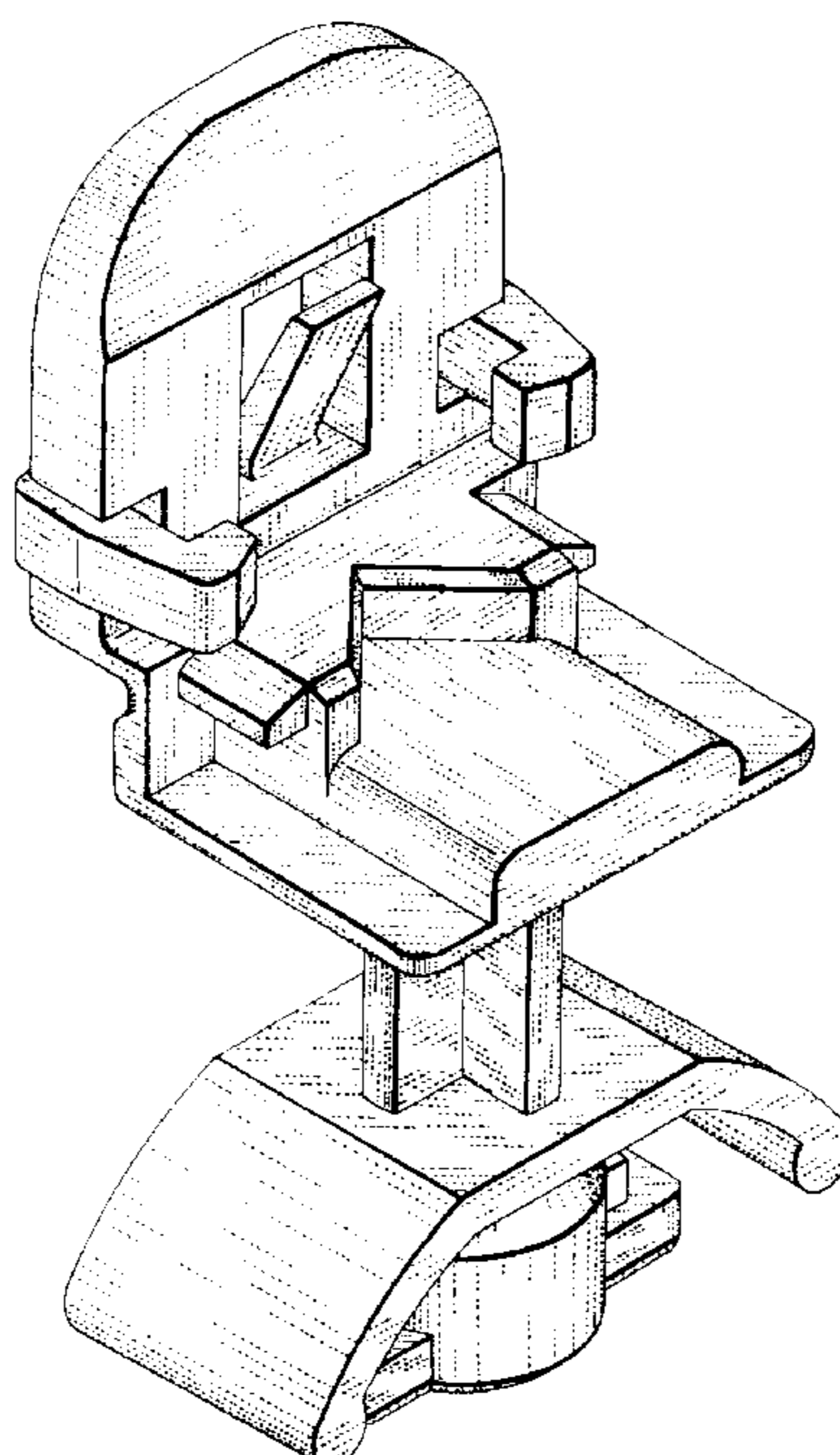
FIG. 6 is a left side view thereof, the right side view being a mirror image;

FIG. 7 is a left side view thereof showing the bottom part of the device fixed to a substrate and the upper part supporting a circuit board; and,

FIG. 8 is a cross-sectional view taken along lines 8—8 in FIG. 2.

The broken lines showing of the environment are for illustrative purposes only and form no part of the claimed design.

**1 Claim, 5 Drawing Sheets**



# FIG. 1

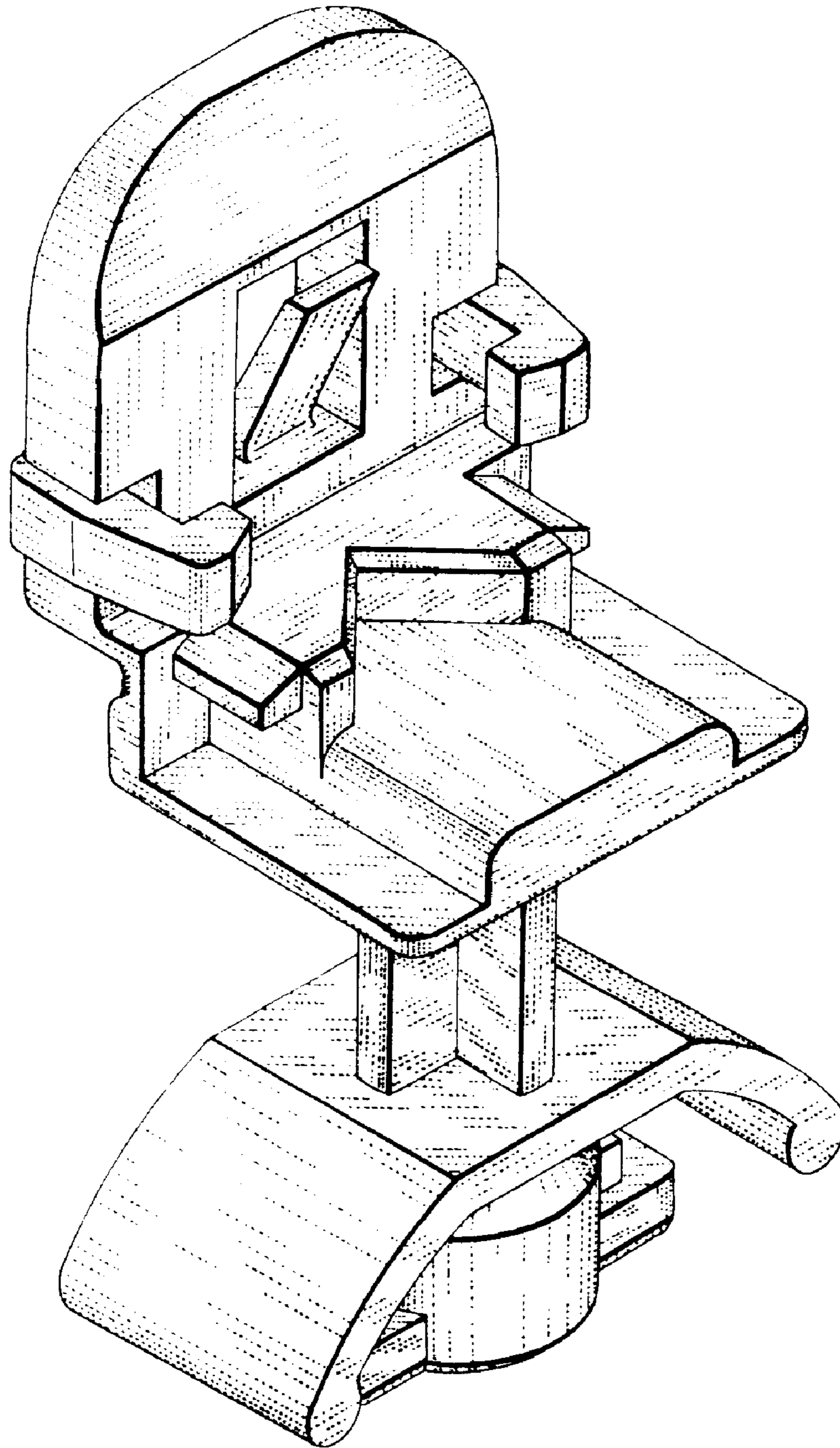


FIG. 2

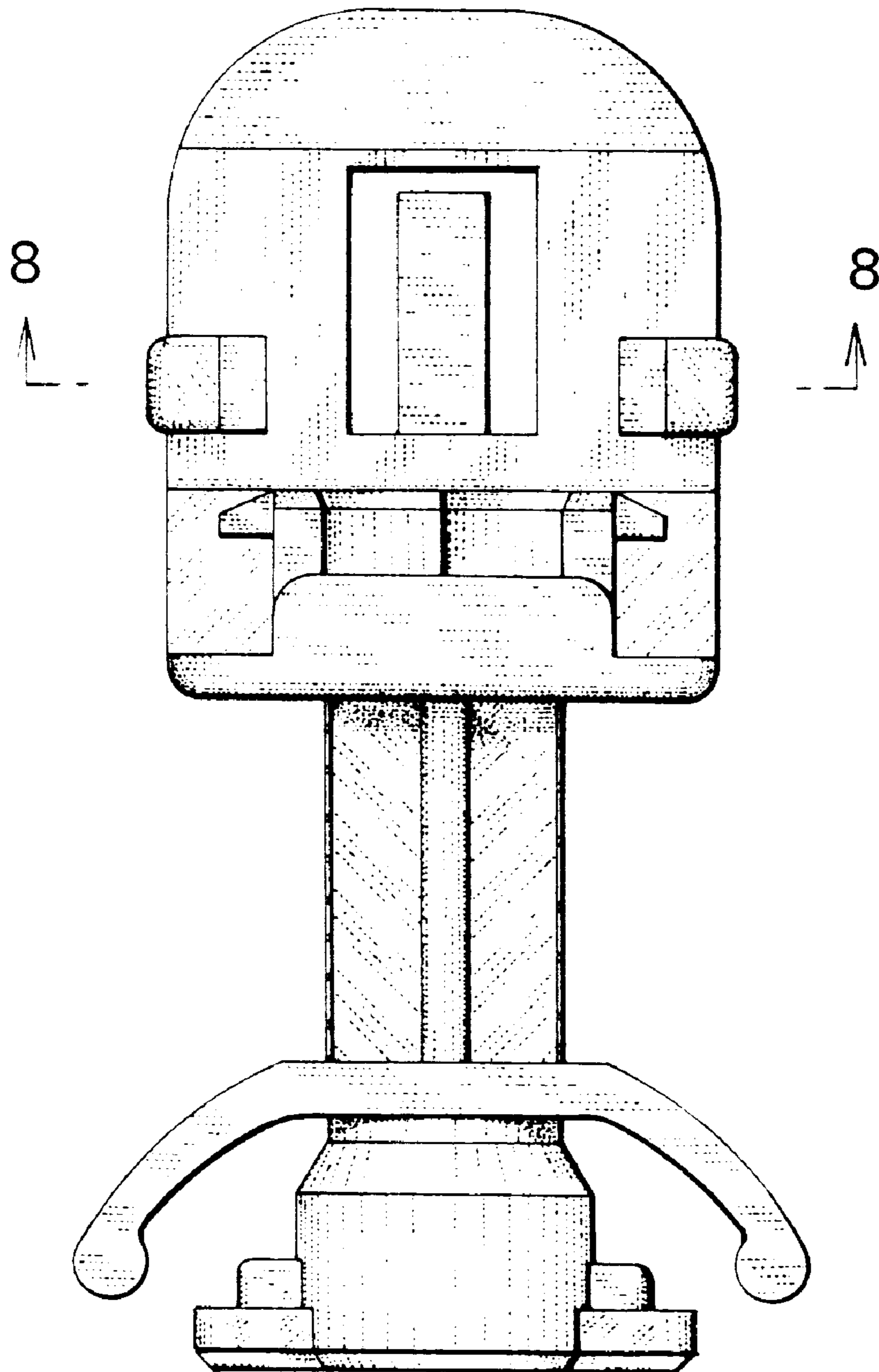


FIG. 3

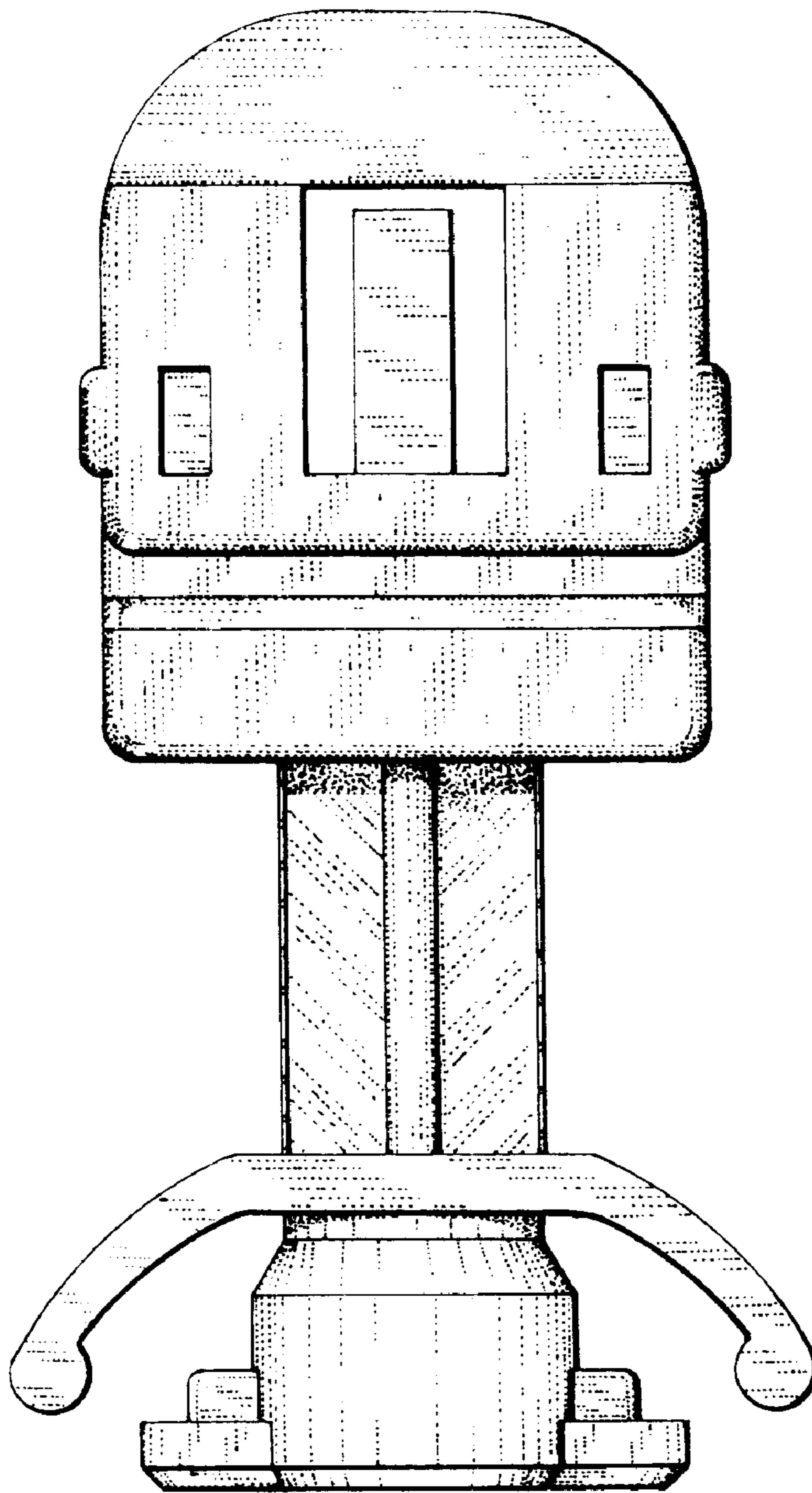


FIG. 4

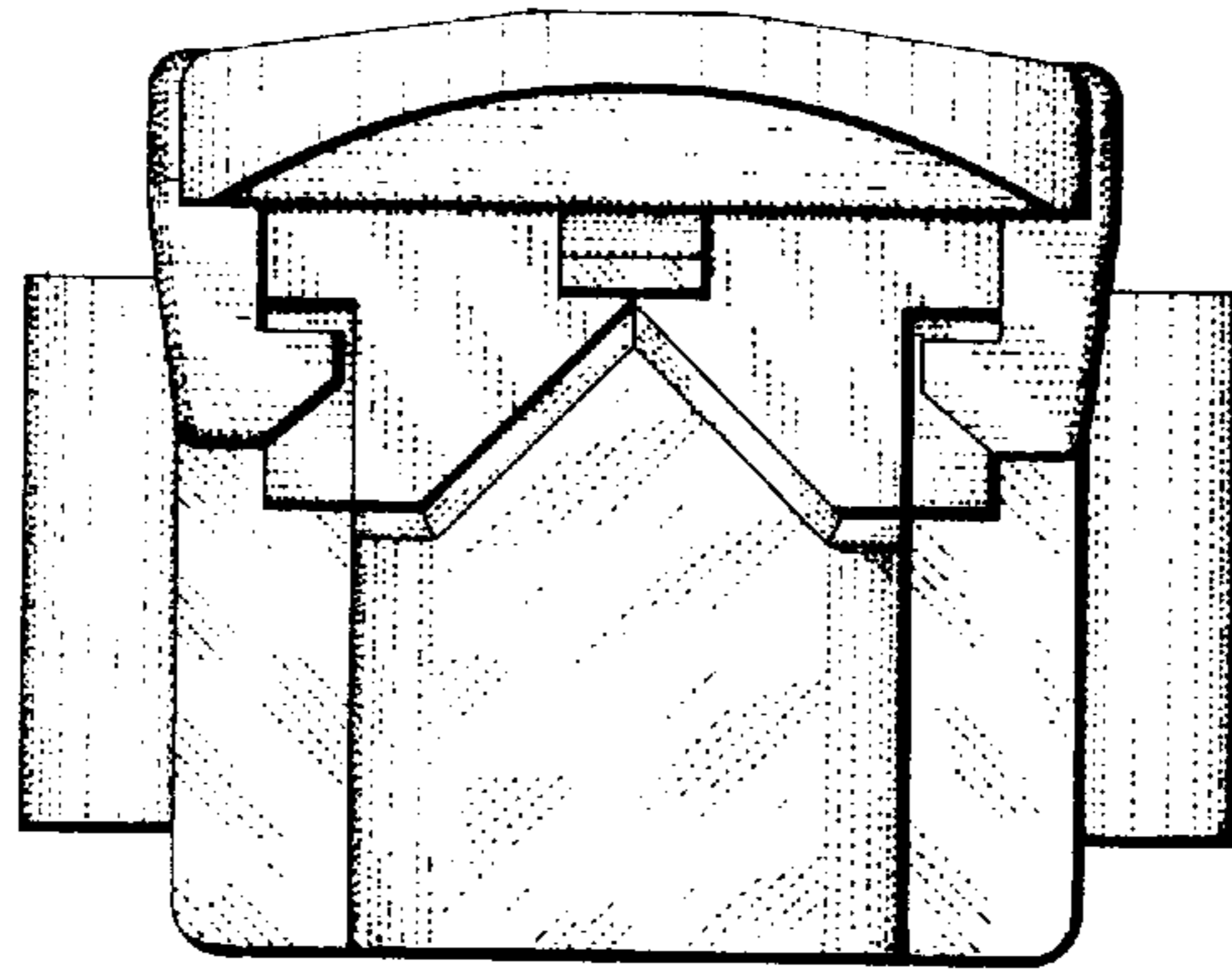


FIG. 5

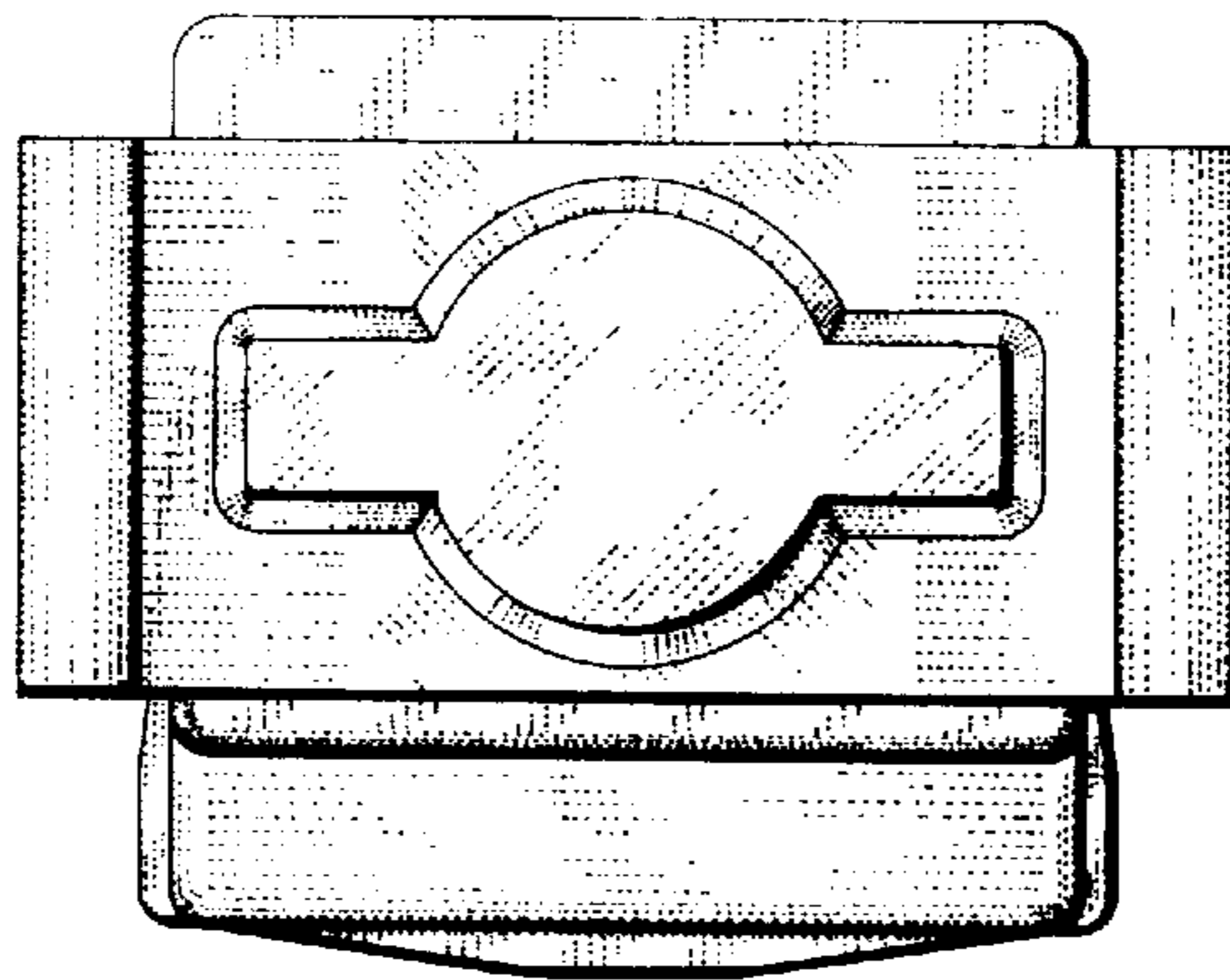


FIG. 8

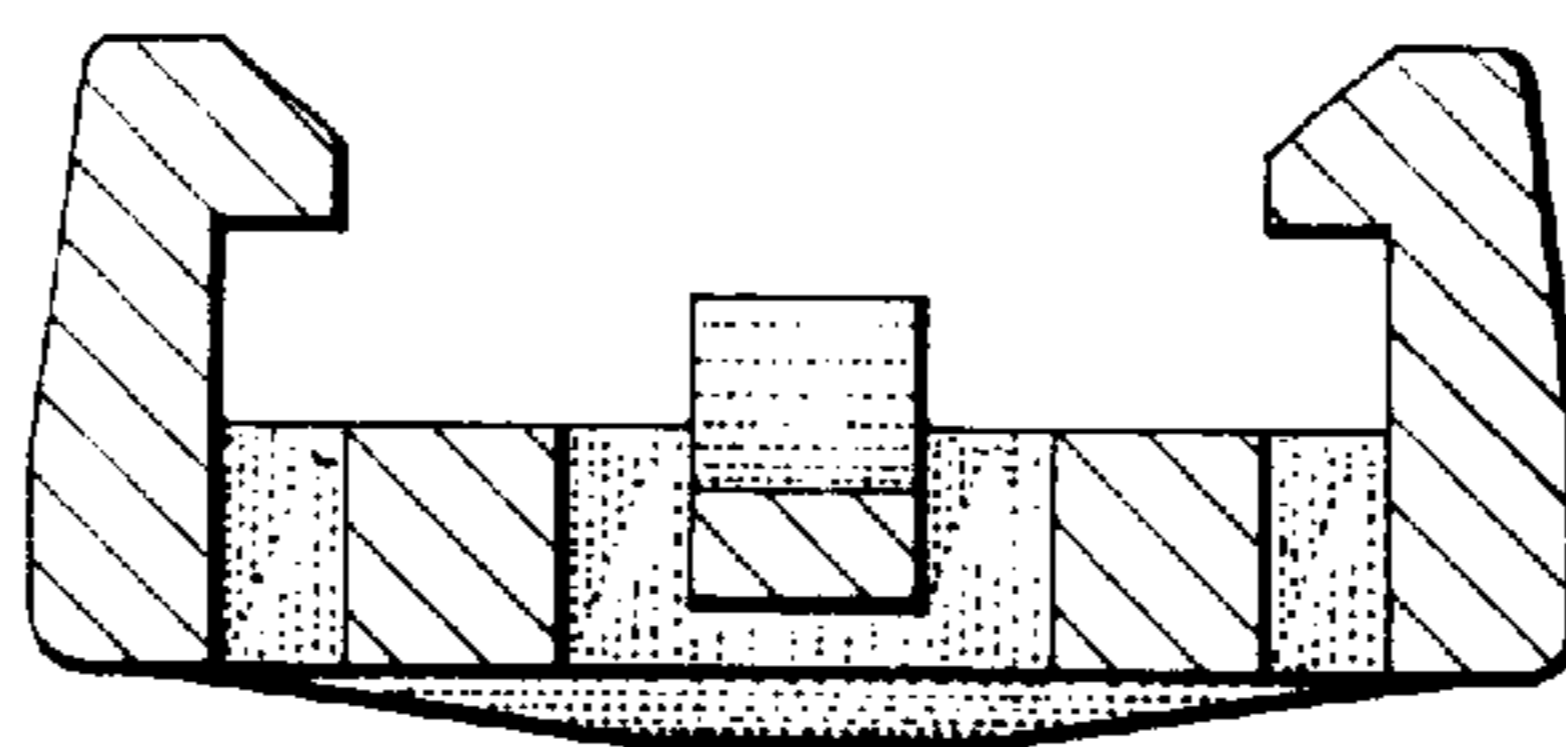


FIG. 6

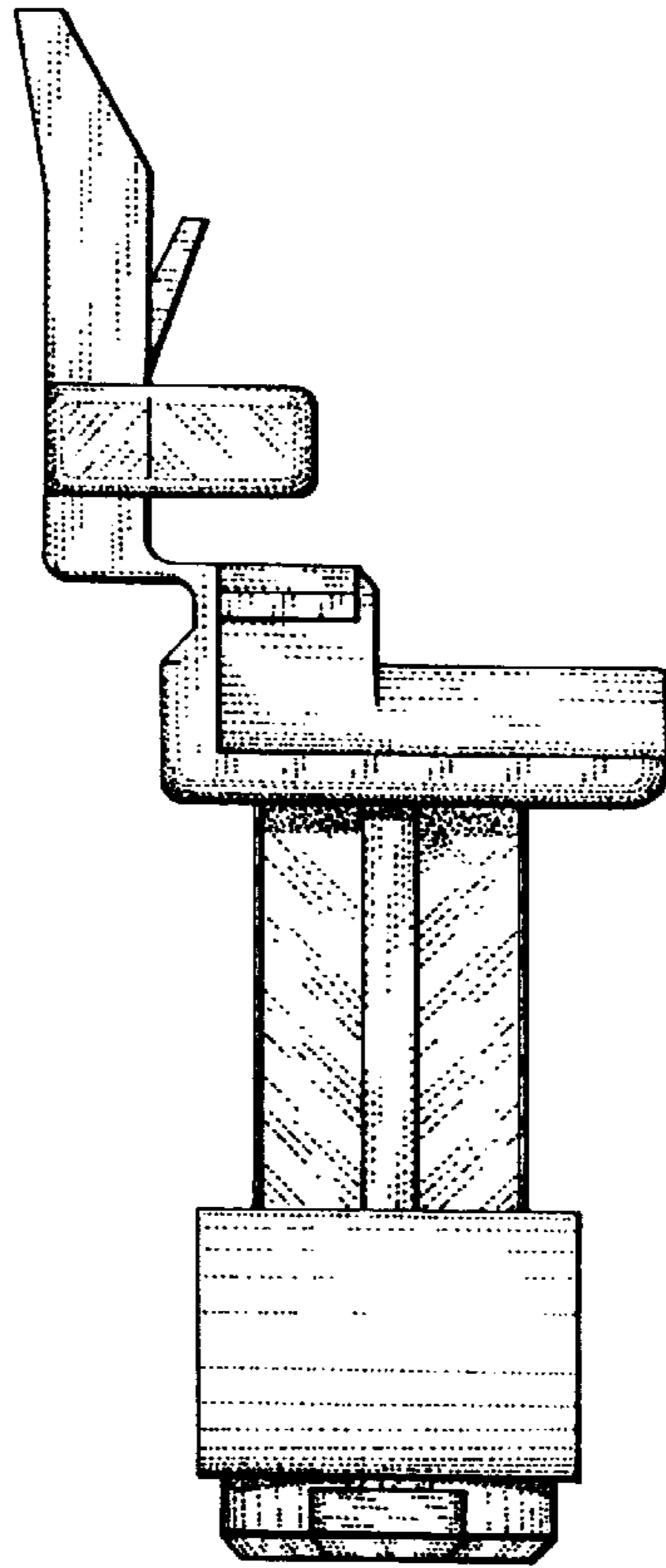


FIG. 7

