



US00D460740S

(12) **United States Design Patent**
Montena

(10) **Patent No.:** **US D460,740 S**

(45) **Date of Patent:** **** Jul. 23, 2002**

(54) **SLEEVE FOR CO-AXIAL CABLE CONNECTOR**

3,539,969 A * 11/1970 Johnson et al. 439/231
5,662,488 A * 9/1997 Alden 439/314
D412,885 S * 8/1999 Toly D13/154

(75) Inventor: **Noah Montena**, Syracuse, NY (US)

* cited by examiner

(73) Assignee: **John Mezzalingua Associates, Inc.**,
East Syracuse, NY (US)

Primary Examiner—Robert M. Spear
(74) *Attorney, Agent, or Firm*—George R. McGuire;
Hancock & Estabrook, LLP

(**) Term: **14 Years**

(57) **CLAIM**

(21) Appl. No.: **29/151,972**

The ornamental design for a sleeve for co-axial cable connector, as shown and described.

(22) Filed: **Dec. 13, 2001**

(51) **LOC (7) Cl.** **13-03**

(52) **U.S. Cl.** **D13/154**

(58) **Field of Search** D13/133, 149,
D13/151, 154; 439/578, 583, 584, 585

DESCRIPTION

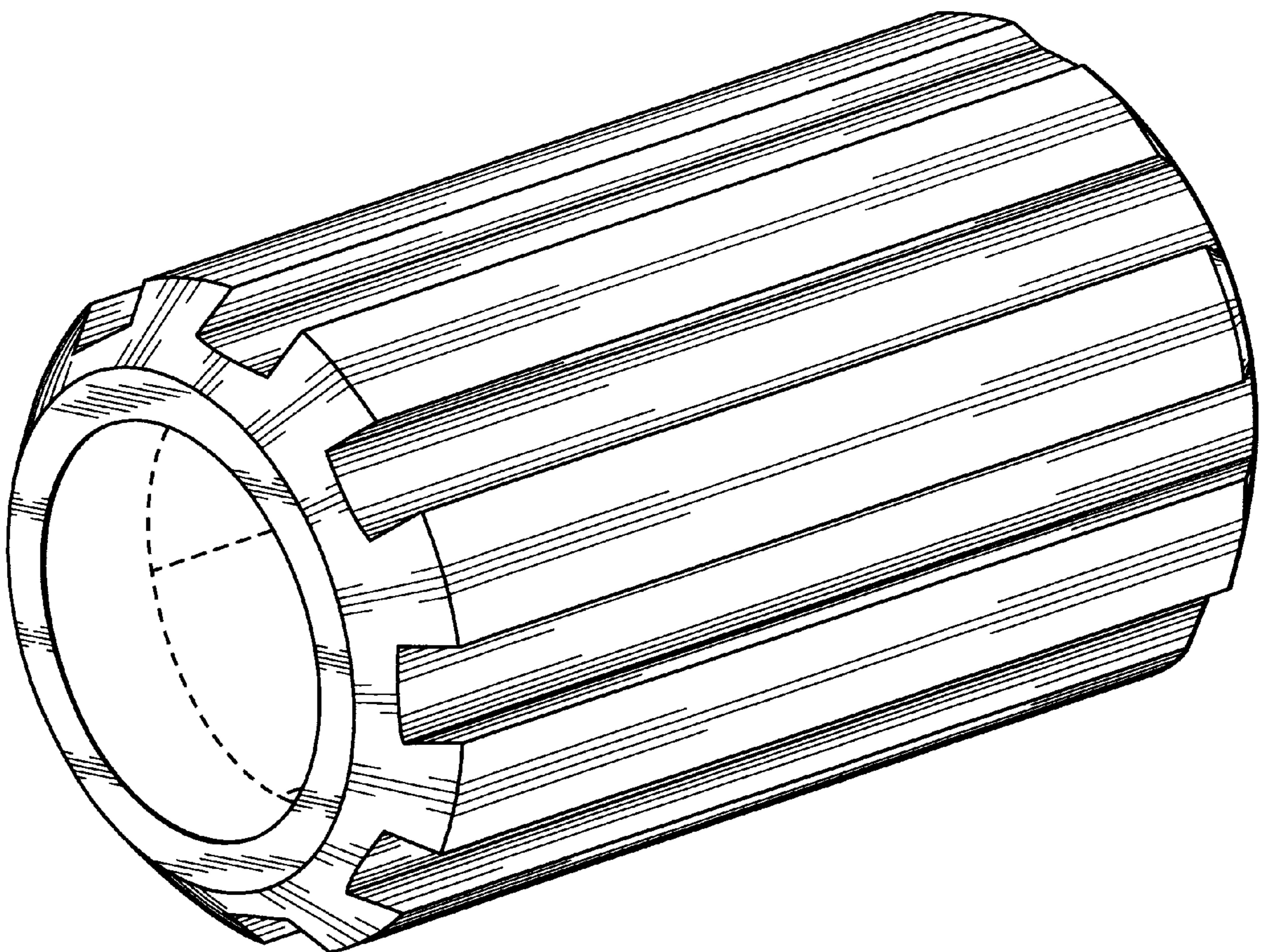
(56) **References Cited**

FIG. 1 is a perspective view of a sleeve for co-axial cable connector showing my new design; FIG. 2 is a side elevational view thereof, the other sides, top, plan and bottom plan views being mirror images; FIG. 3 is a first end view thereof; and, FIG. 4 is an opposite end view thereof. The broken lines depict environmental structure and form no part of the claimed design.

U.S. PATENT DOCUMENTS

D42,947 S * 8/1912 Ningesser D13/199
D111,981 S * 11/1938 Koger D13/153
D178,554 S * 8/1956 Stone D13/199
D204,674 S * 5/1966 Trimble D13/133

1 Claim, 3 Drawing Sheets



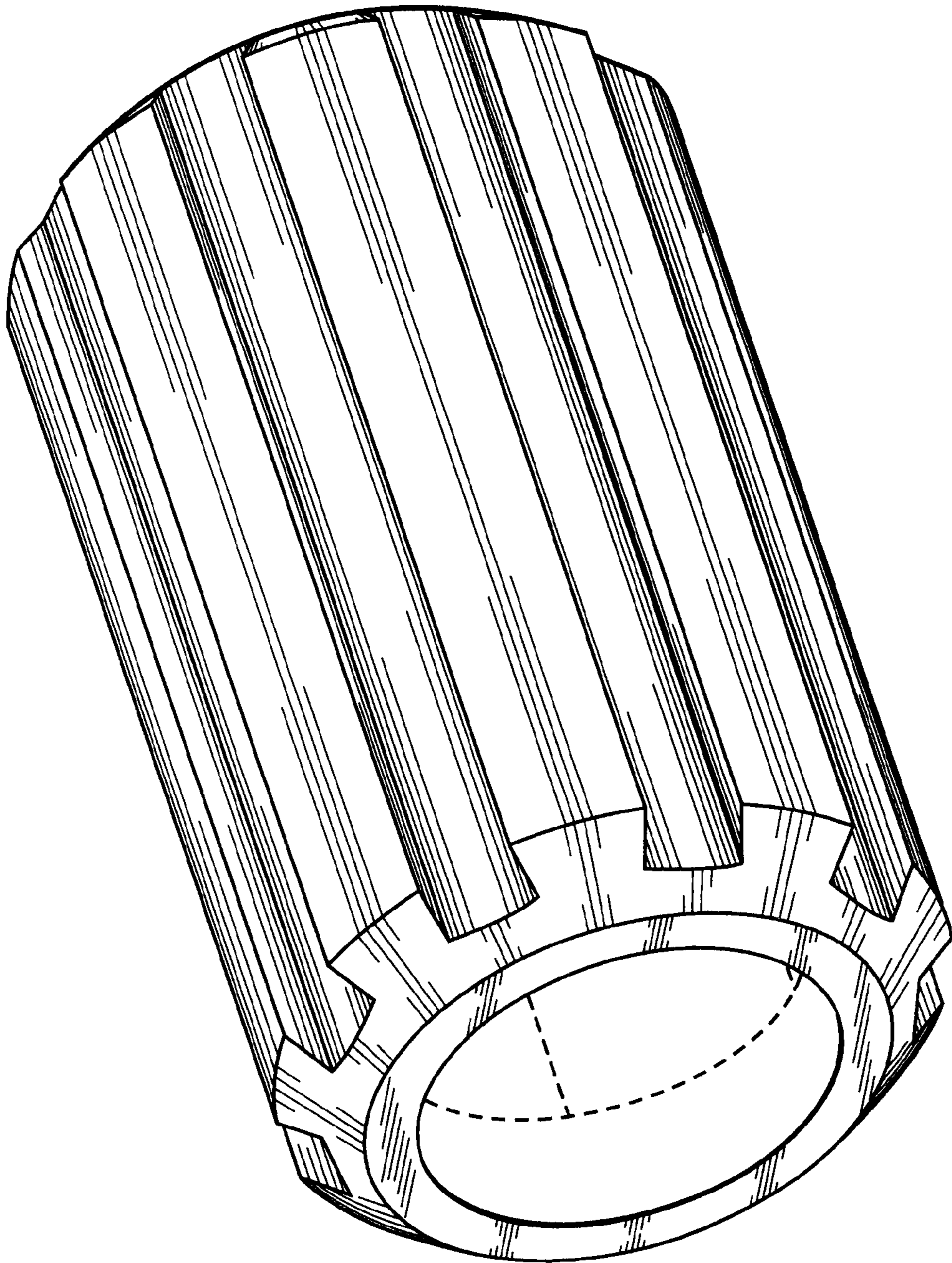


FIG. 1

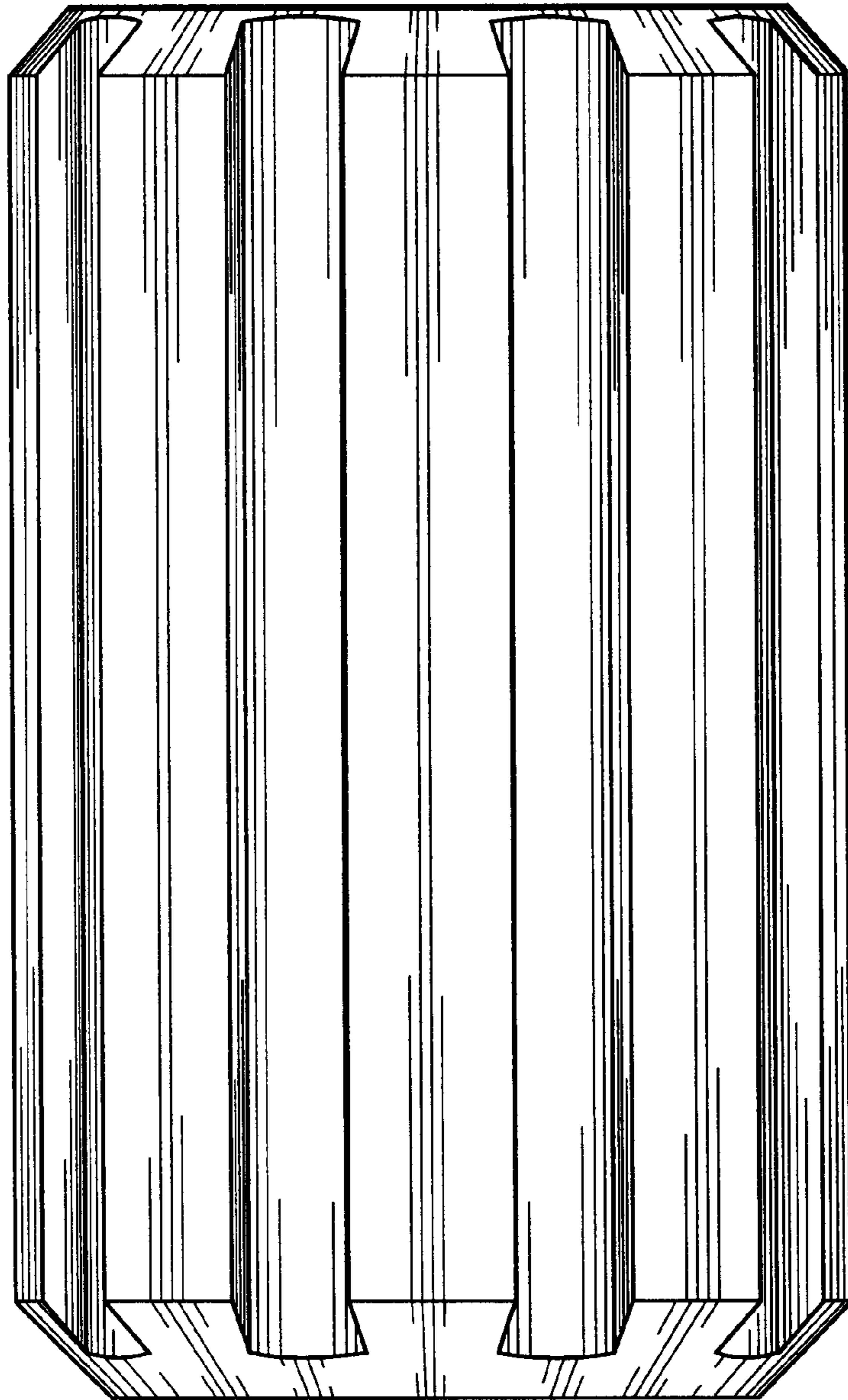


FIG. 2

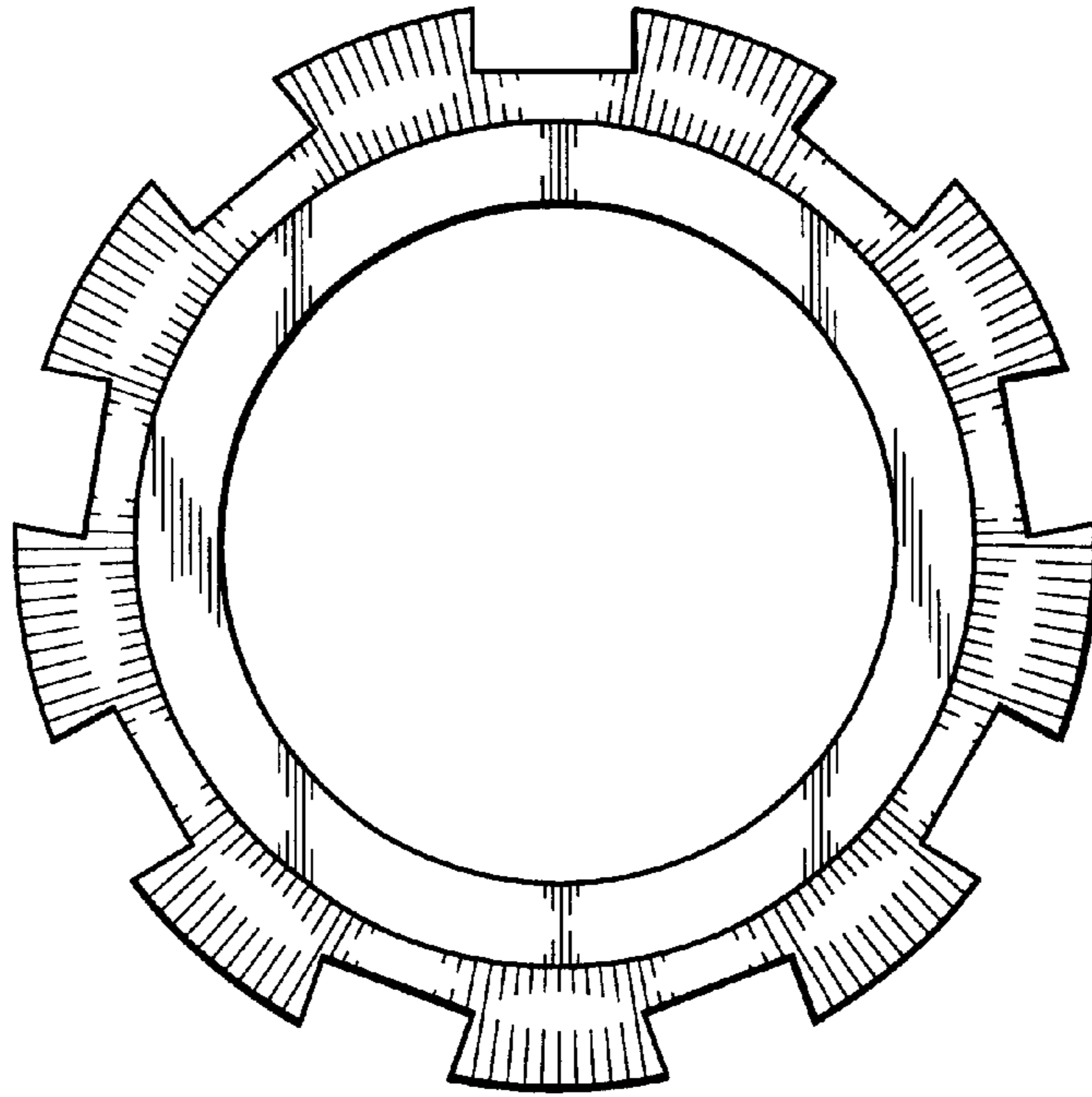


FIG. 3

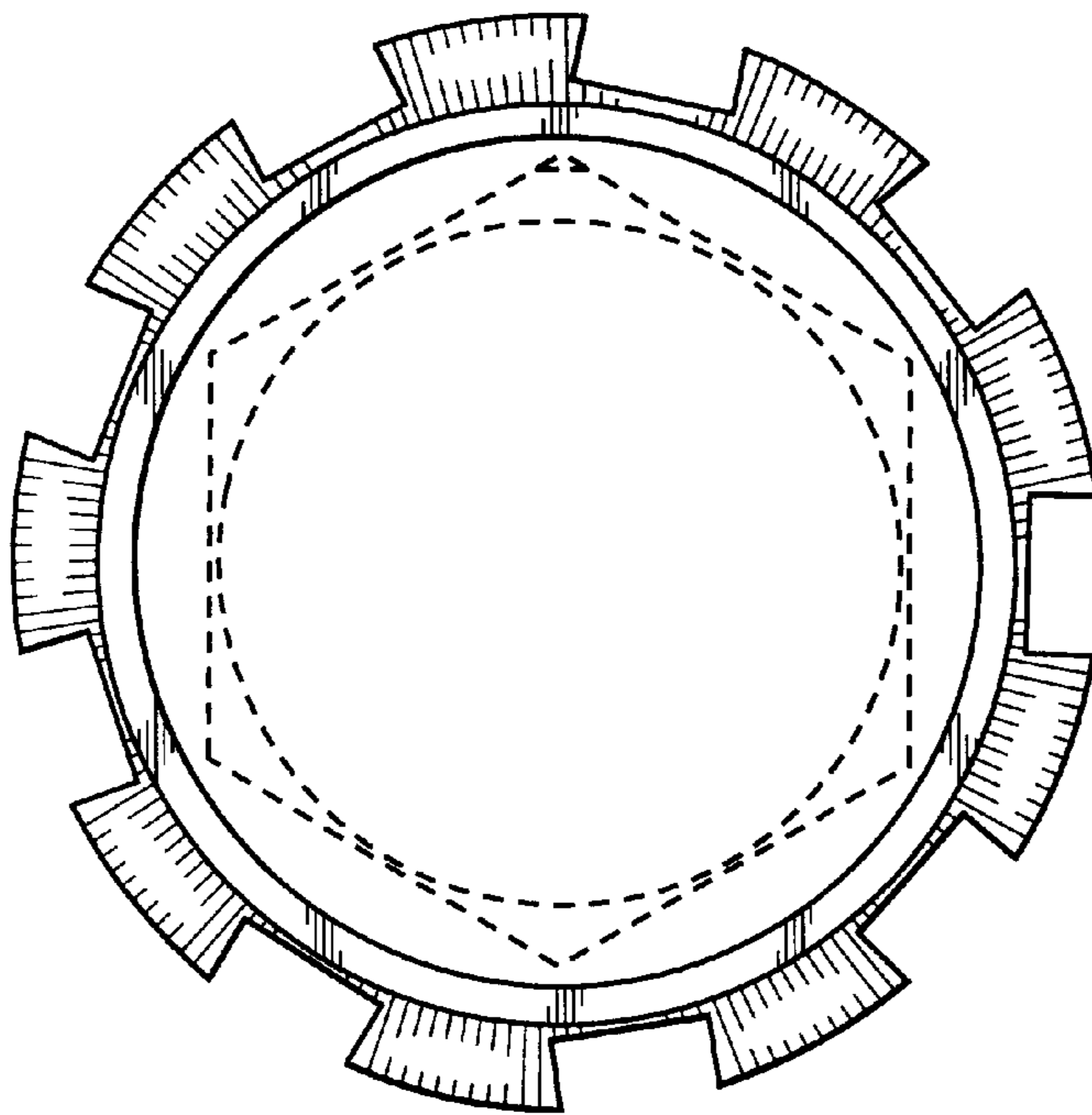


FIG. 4