



US00D460737S

(12) **United States Design Patent**  
**Ching**

(10) **Patent No.:** **US D460,737 S**

(45) **Date of Patent:** **\*\* Jul. 23, 2002**

(54) **PIN CONNECTOR WITH CENTRAL SIGNAL PINS**

D435,245 S \* 12/2000 Hwang ..... D13/147  
D438,843 S 3/2001 Middlehurst ..... D13/147

(75) Inventor: **Hank D. Ching**, Fremont, CA (US)

\* cited by examiner

(73) Assignee: **TVM Group, Inc.**, Fremont, CA (US)

*Primary Examiner*—Joel Sincavage

(\*\*) Term: **14 Years**

(74) *Attorney, Agent, or Firm*—Flehr Hohbach Test Albritton & Herbert LLP

(21) Appl. No.: **29/140,709**

(57) **CLAIM**

(22) Filed: **Apr. 23, 2001**

The ornamental design for a pin connector with central signal pins, as shown and described.

(51) **LOC (7) Cl.** ..... **13-03**

**DESCRIPTION**

(52) **U.S. Cl.** ..... **D13/147**

FIG. 1 is a perspective view of the pin connector with central signal pins of my new design.

(58) **Field of Search** ..... D13/147; 439/752,  
439/378, 677-680

FIG. 2 is a top plan view of the pin connector with central signal pins shown in FIG. 1.

(56) **References Cited**

**U.S. PATENT DOCUMENTS**

D200,645 S	*	3/1965	Schumacher	.....	D13/146
4,179,179 A	*	12/1979	Lowden	.....	439/278
4,761,144 A	*	8/1988	Hunt, III et al.	.....	439/545
5,228,865 A	*	7/1993	Douty et al.	.....	439/247
5,362,261 A	*	11/1994	Puerner	.....	439/752
D366,241 S		1/1996	Eaton	.....	D13/147
D366,454 S		1/1996	Eaton	.....	D13/147
5,575,690 A		11/1996	Eaton	.....	439/717
5,588,852 A	*	12/1996	Puerner	.....	439/135
D408,789 S		4/1999	Middlehurst et al.	.....	D13/154
D412,489 S		8/1999	Middlehurst et al.	.....	D13/147
D434,726 S		12/2000	Middlehurst	.....	D13/147
D435,017 S	*	12/2000	Hwang	.....	D13/147

FIG. 3 is a bottom plan view of pin connector with central signal pins shown in FIG. 1.

FIG. 4 is a front elevational view of the pin connector with central signal pins shown in FIG. 1.

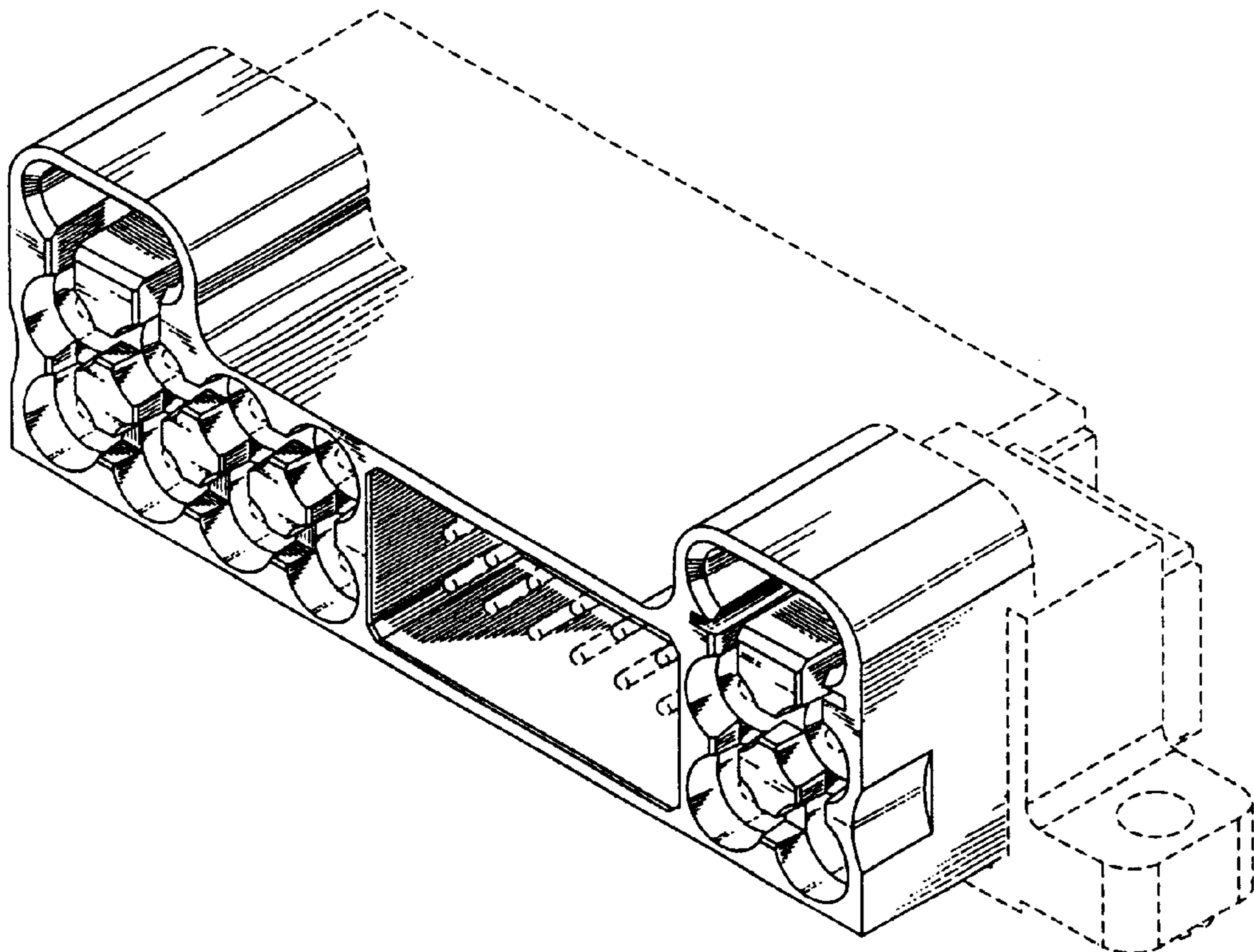
FIG. 5 is a rear elevational view of the pin connector with central signal pins shown in FIG. 1.

FIG. 6 is a right side elevational view of the pin connector with central signal pins shown in FIG. 1; and,

FIG. 7 is a left side elevational view of the pin connector with central signal pins shown in FIG. 1.

The broken lines showing throughout the drawing figures are included for the purpose of illustrating environmental structure only and form no part of the claimed design.

**1 Claim, 3 Drawing Sheets**



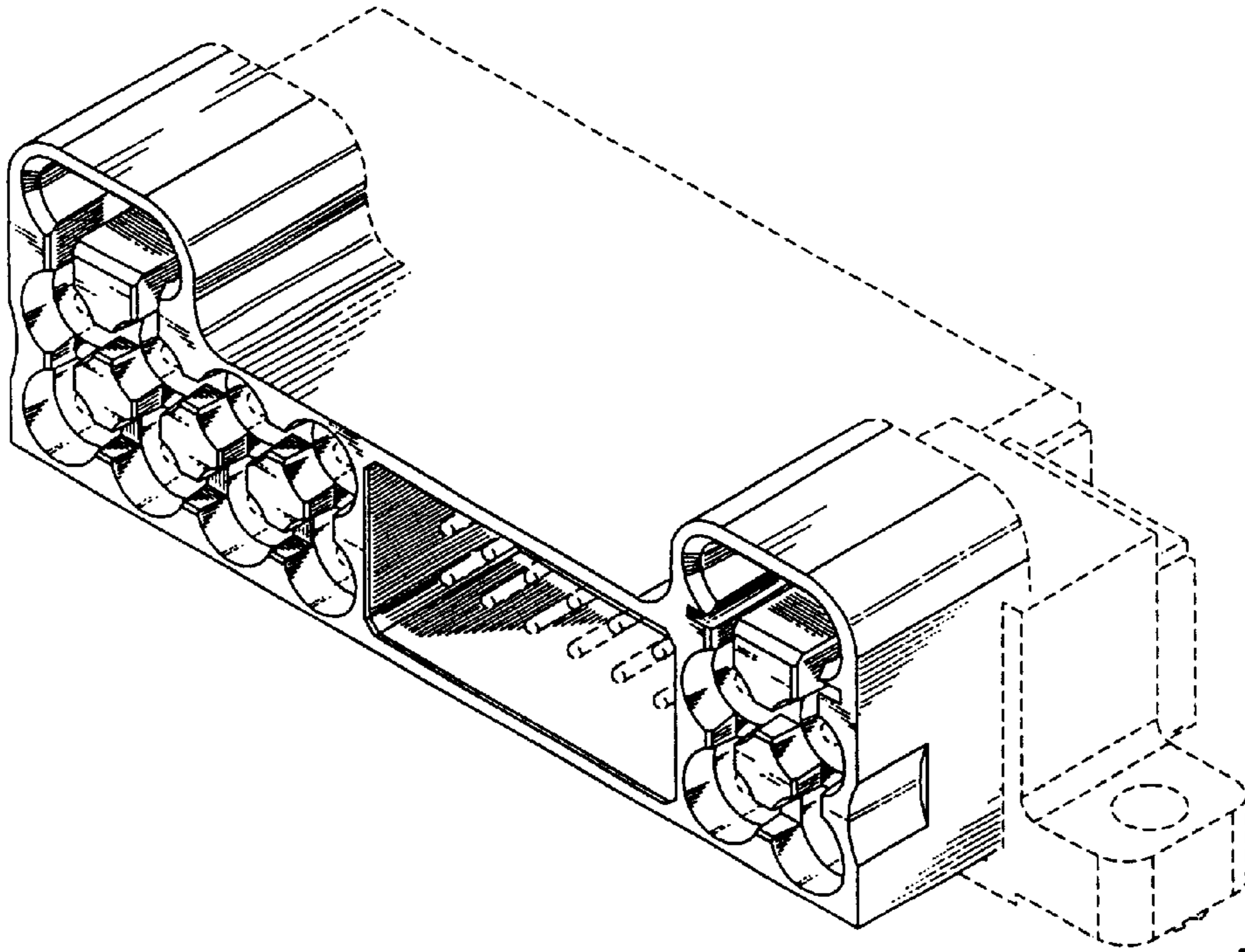


Fig. 1

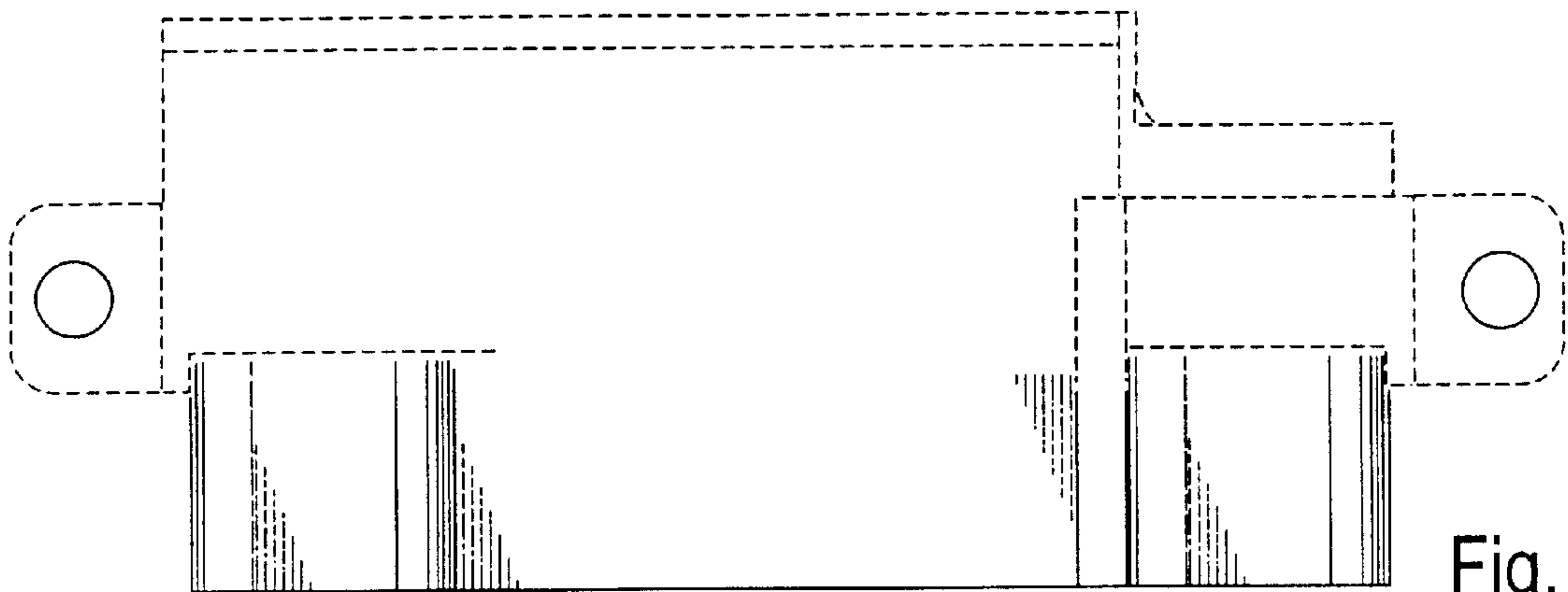


Fig. 2

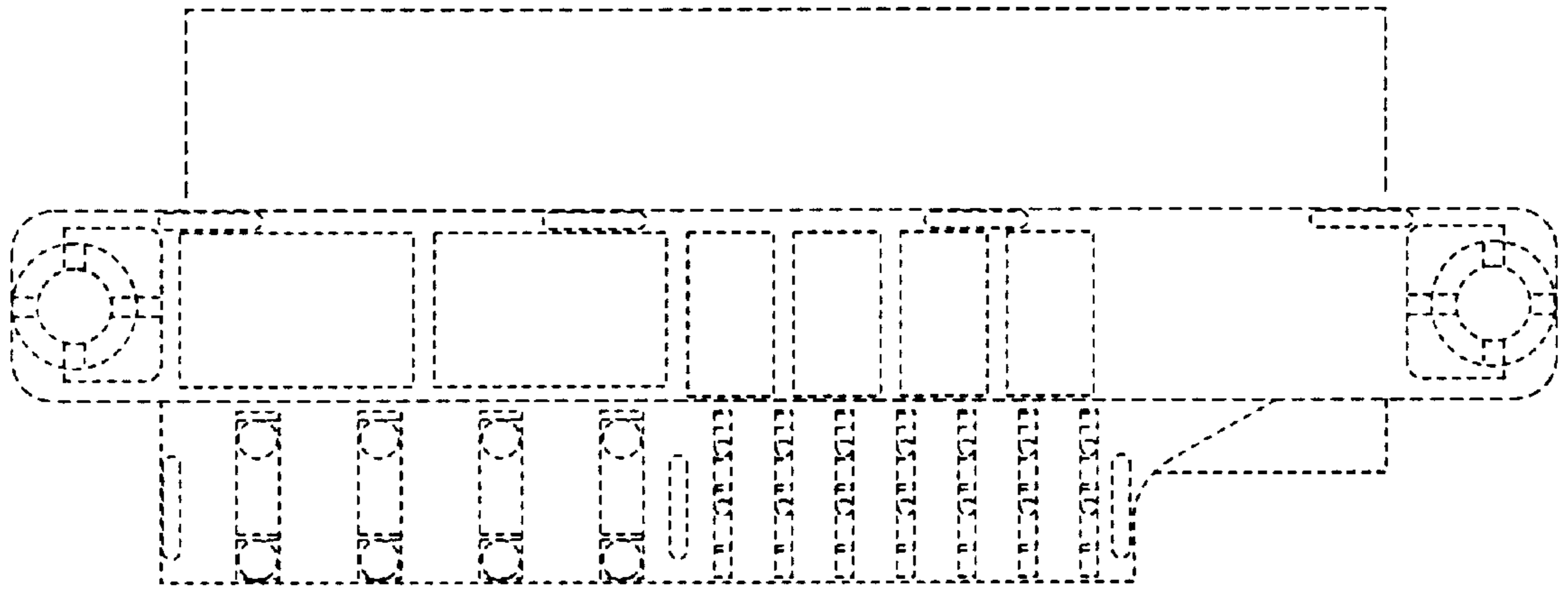


Fig. 3

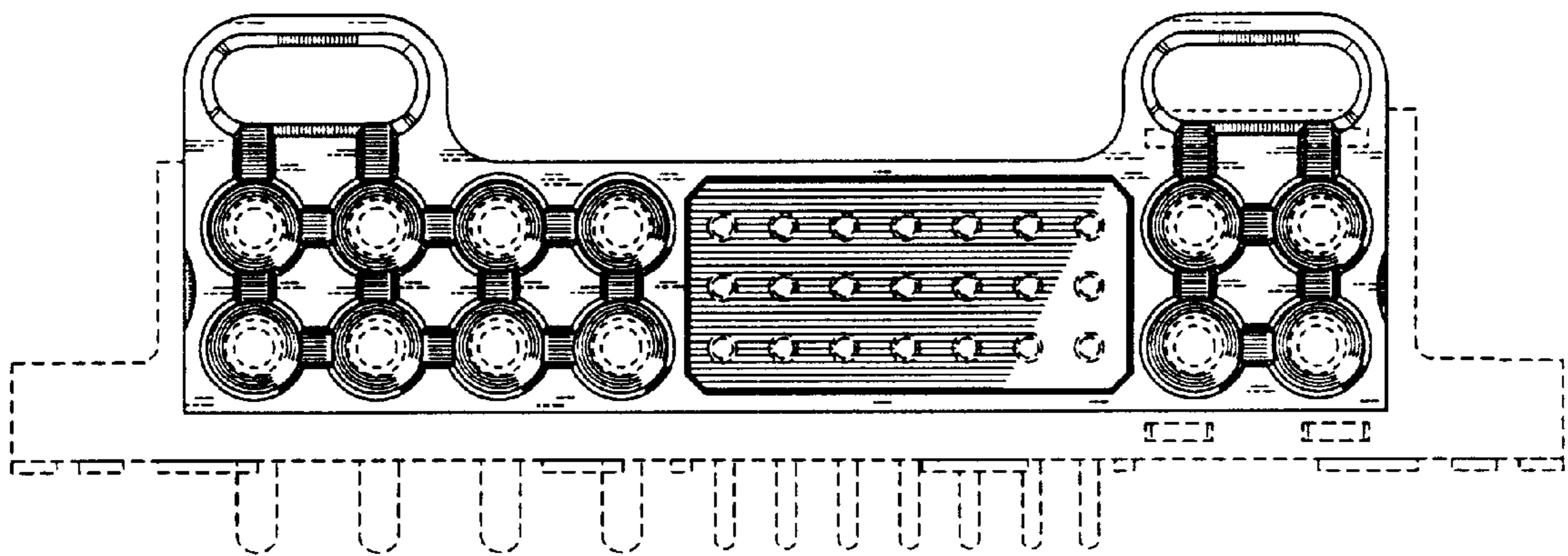


Fig. 4

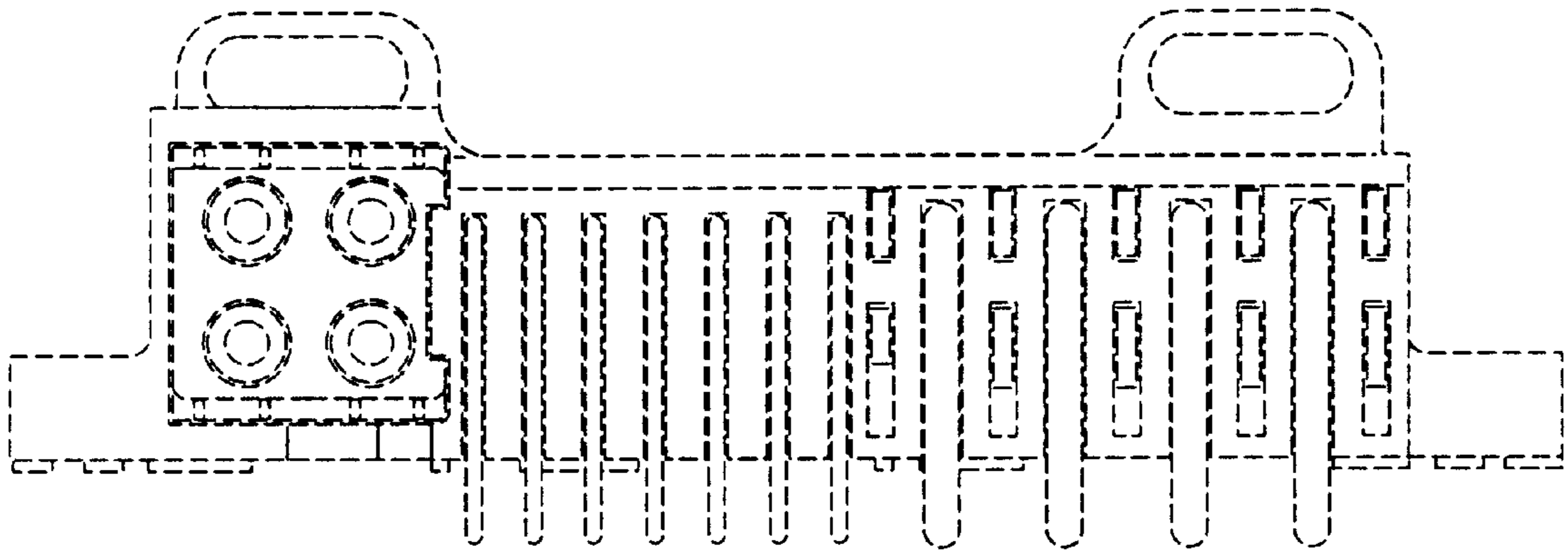


Fig. 5

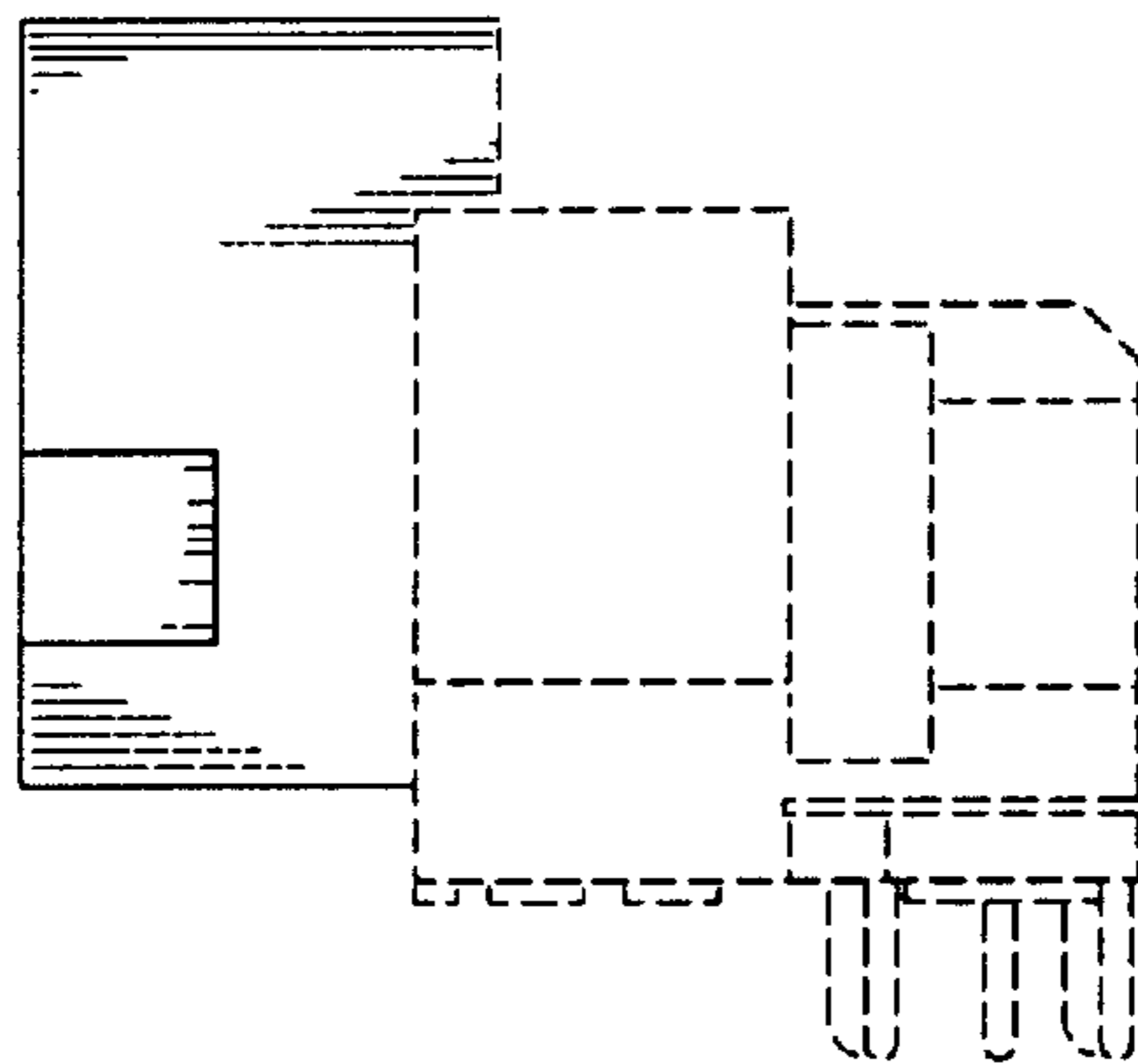


Fig. 6

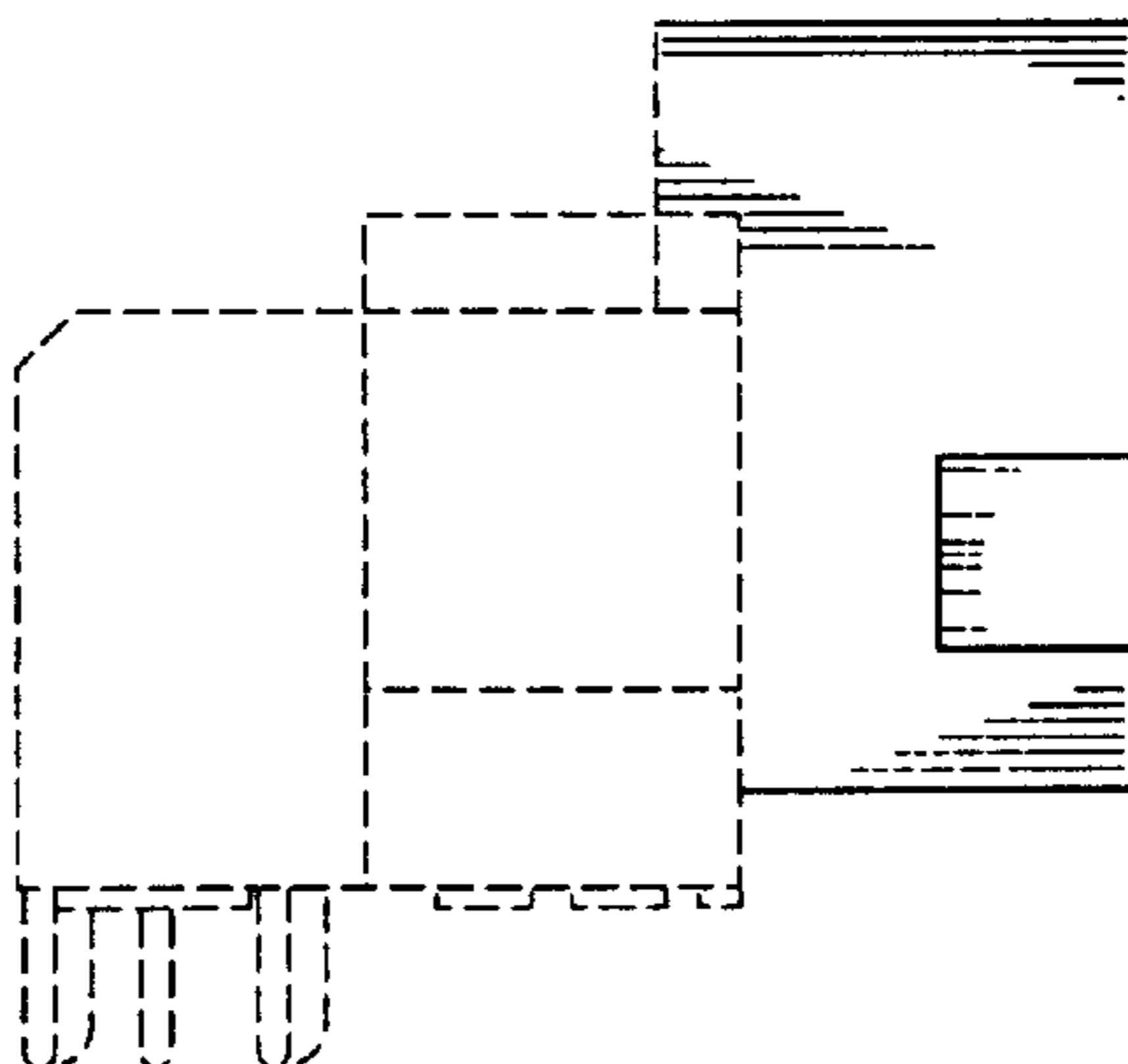


Fig. 7