



US00D460736S

(12) **United States Design Patent**  
**Pincek et al.**

(10) **Patent No.:** **US D460,736 S**  
(45) **Date of Patent:** **\*\* Jul. 23, 2002**

(54) **RETRACTABLE AND INTERCHANGEABLE CONTROL PANEL FOR ELECTRONIC OR LIKE DEVICES**

(75) Inventors: **David Pincek**, Huntington Beach;  
**Michael A. Fitzgerald**; **Daniel E. Paano**, both of Long Beach, all of CA (US)

(73) Assignee: **RGB Systems, Inc.**, Anaheim, CA (US)

(\*\*) Term: **14 Years**

(21) Appl. No.: **29/143,310**

(22) Filed: **Jun. 11, 2001**

(51) **LOC (7) Cl.** ..... **13-03**

(52) **U.S. Cl.** ..... **D13/139.4**; D13/162

(58) **Field of Search** ..... D13/162, 164,  
D13/139.4, 139.6; D10/46, 106; D14/217,  
218, 240; D21/324; 200/5 R, 5 A; 361/627,  
628, 631, 643, 644, 655, 668, 673; 439/131,  
135, 142, 638

(56) **References Cited**

**U.S. PATENT DOCUMENTS**

D182,010 S \* 1/1958 Wells et al. .... D13/184  
D187,221 S \* 2/1960 Laub et al. .... D10/103

(List continued on next page.)

**OTHER PUBLICATIONS**

T3U Table Box Product of the Month. Retrieved from the Internet: {<http://www.fsrinc.com/pom.htm>}.

(List continued on next page.)

*Primary Examiner*—Ted Shooman

*Assistant Examiner*—Selina Sikder

(74) *Attorney, Agent, or Firm*—The Hecker Law Group

(57) **CLAIM**

The ornamental design for a retractable and interchangeable control panel for electronic or like devices, as shown and described.

**DESCRIPTION**

This invention is an ornamental design of an easy access retractable and interchangeable panel providing functions such as connectors, controls, power switches, and power plugs, for audiovisual equipments, computers, and other similar electronic devices.

This application is related to US Design Application number 29/143,311, filed on Jun. 11, 2001, entitled "Retractable and Interchangeable Control Panel for Electronic or Like Devices".

FIG. 1 is a perspective view of a retractable and interchangeable control panel for electronic or like devices in an open position. The broken lines are to represent an environment only and form no part of the claimed design.

FIG. 2 is a top elevational view thereof of the retractable and interchangeable control panel for electronic or like devices in an open position. The broken lines are to represent an environment only and form no part of the claimed design.

FIG. 3 is a front elevational view thereof of the retractable and interchangeable control panel for electronic or like devices in an open position. The broken lines are to represent an environment only and form no part of the claimed design.

FIG. 4 is a side elevational view thereof of the retractable and interchangeable control panel for electronic or like devices in an open position. The broken lines are to represent an environment only and form no part of the claimed design.

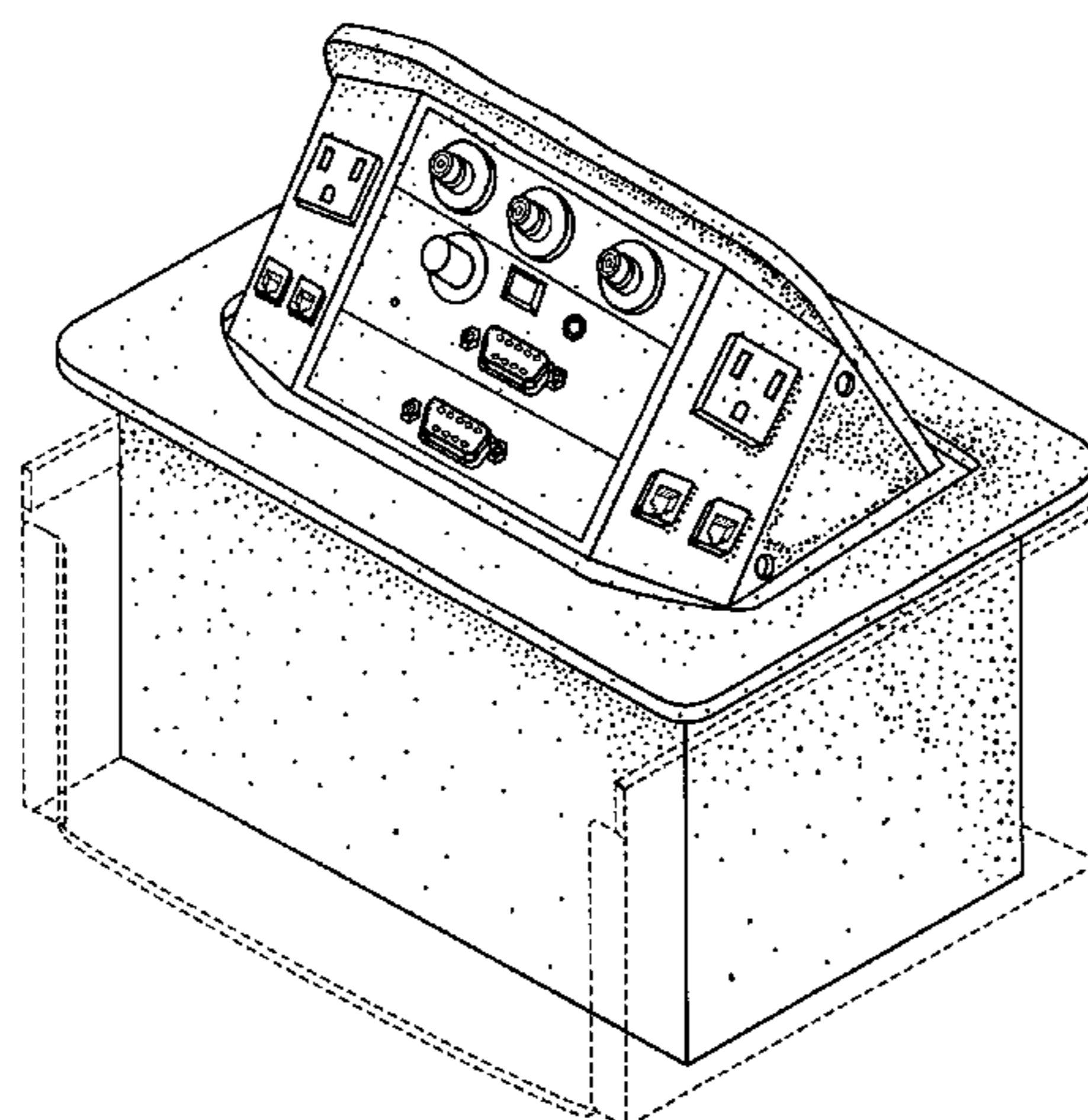
FIG. 5 is a top elevational view thereof of the retractable and interchangeable control panel for electronic or like devices in a closed position. The broken lines are to represent an environment only and form no part of the claimed design.

FIG. 6 is a perspective view thereof of the retractable and interchangeable control panel for electronic or like devices in a closed position. The broken lines are to represent an environment only and form no part of the claimed design.

FIG. 7 is a back elevational view thereof of the retractable and interchangeable control panel for electronic or like devices in a closed position. The broken lines are to represent an environment only and form no part of the claimed design; and,

FIG. 8 is a side elevational view thereof of the retractable and interchangeable control panel for electronic or like devices in a closed position. The broken lines are to represent an environment only and form no part of the claimed design.

**1 Claim, 4 Drawing Sheets**



# US D460,736 S

Page 2

---

## U.S. PATENT DOCUMENTS

D198,531 S \* 6/1964 Beville ..... D14/217  
D205,590 S \* 8/1966 Balmer ..... D13/184  
3,992,070 A \* 11/1976 Dunn et al. .... 49/345  
D244,214 S \* 5/1977 Ross et al. .... D14/217  
D280,893 S \* 10/1985 Ueda ..... D13/164  
D295,255 S \* 4/1988 Mauch ..... D8/330  
D306,428 S \* 3/1990 Barth et al. .... D13/164  
5,122,069 A \* 6/1992 Brownlie et al. .... 439/131  
D340,660 S \* 10/1993 Russell ..... D10/123  
D353,363 S \* 12/1994 Toby ..... D13/139.4  
D363,741 S \* 10/1995 Leff et al. .... D19/60  
5,575,668 A \* 11/1996 Timmerman ..... 439/131  
5,980,279 A \* 11/1999 Muller ..... 439/142  
D437,827 S 2/2001 Gershfeld  
D442,143 S \* 5/2001 Gershfeld ..... D13/139.4

D446,188 S \* 8/2001 Gershfeld ..... D13/139.4  
D448,756 S \* 10/2001 Lewellen ..... D14/217  
D449,819 S \* 10/2001 Gershfeld ..... D13/139.4

## OTHER PUBLICATIONS

PCS5 New Large Rectangular Desktop Power & Communications System. Retrieved from the Internet: {<http://www-mockett.com/pcs5.htm>}.

Me and Dougs Great Grommets. Doug Mockett & Company, Inc.

SMI™ Spider Manufacturing Inc.

ECA Form & Function Wired Together. Retrieved from the Internet: {<http://www.electri-cable.com>}.

\* cited by examiner

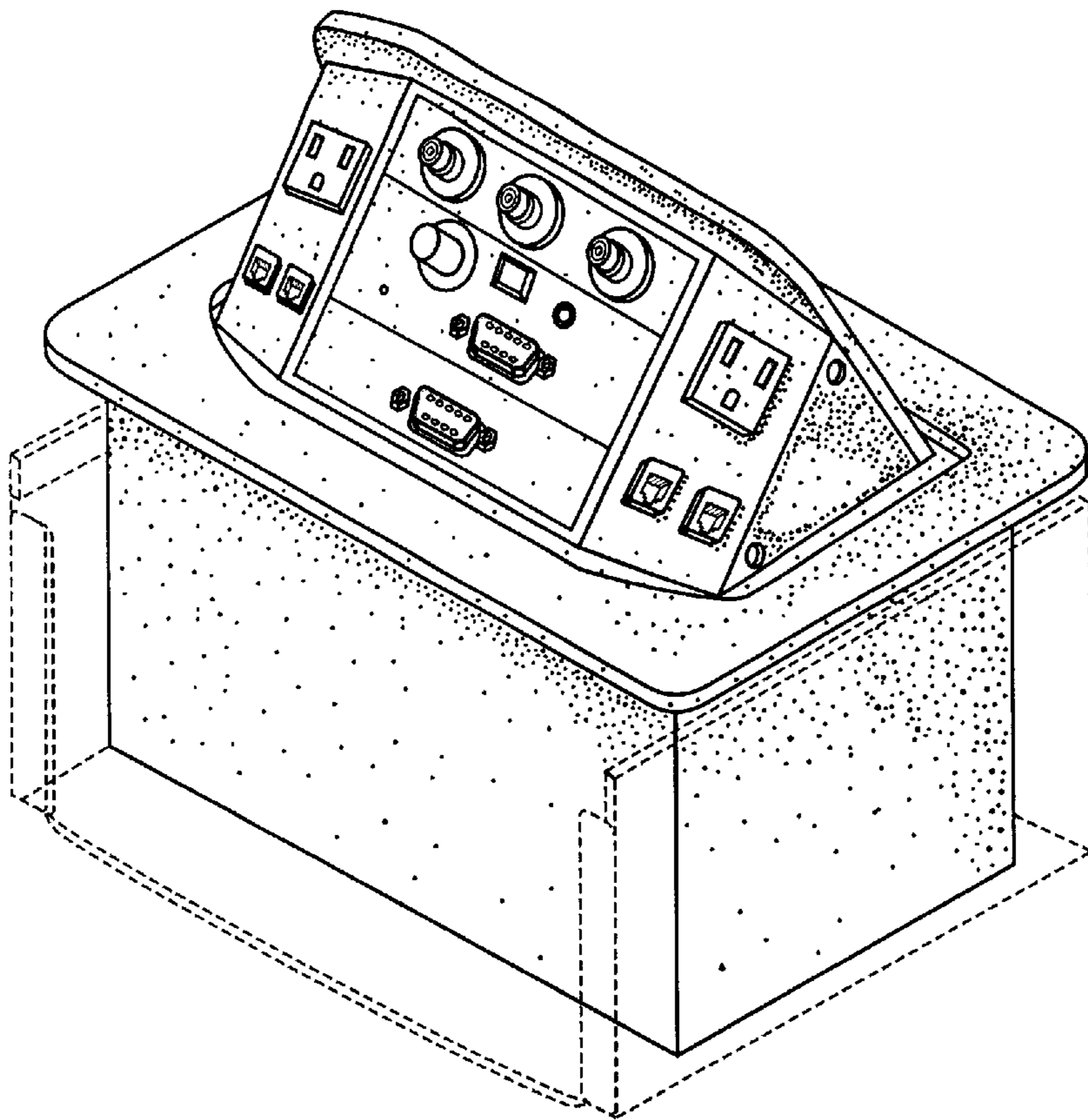


FIG. 1

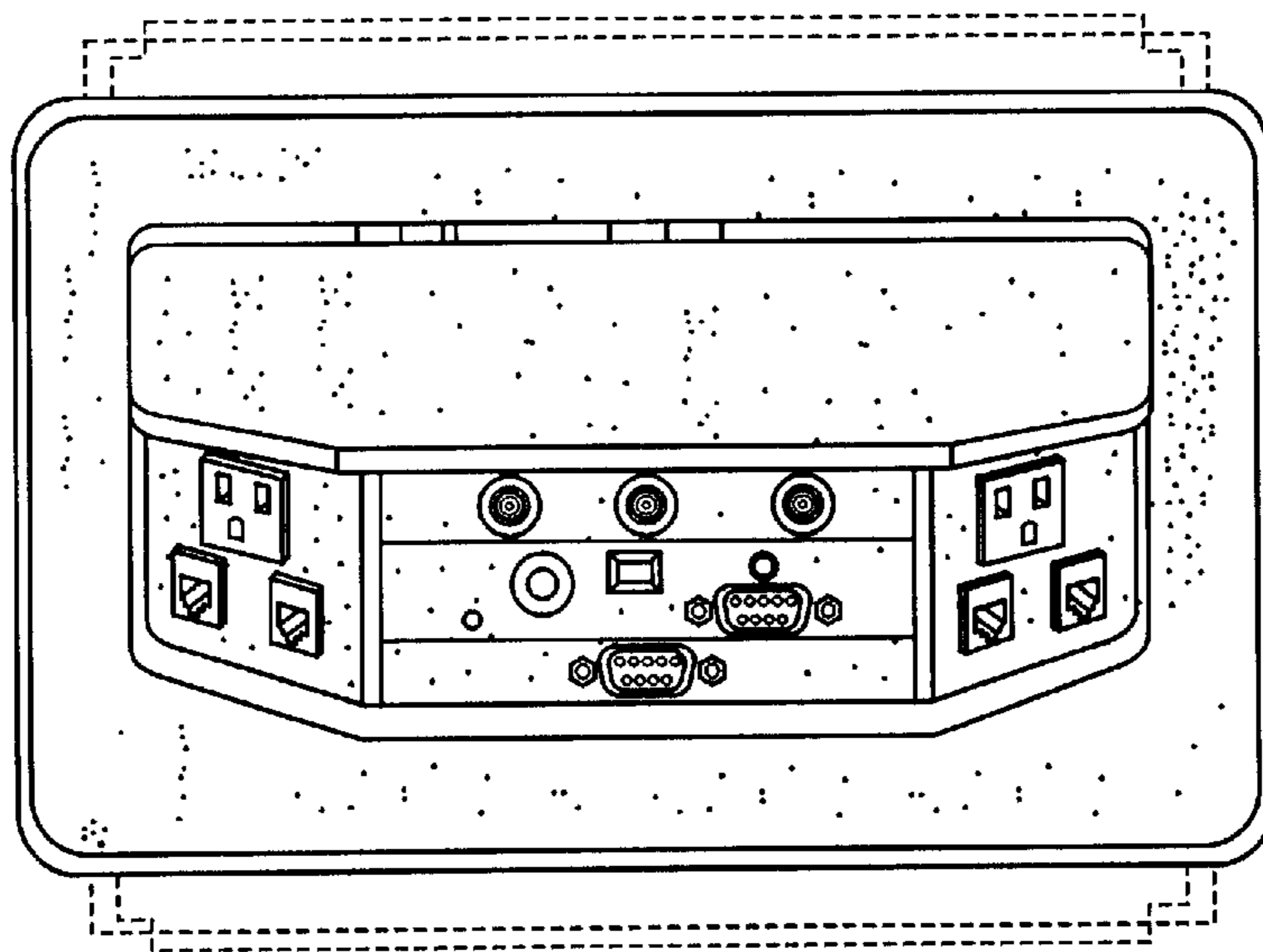


FIG. 2

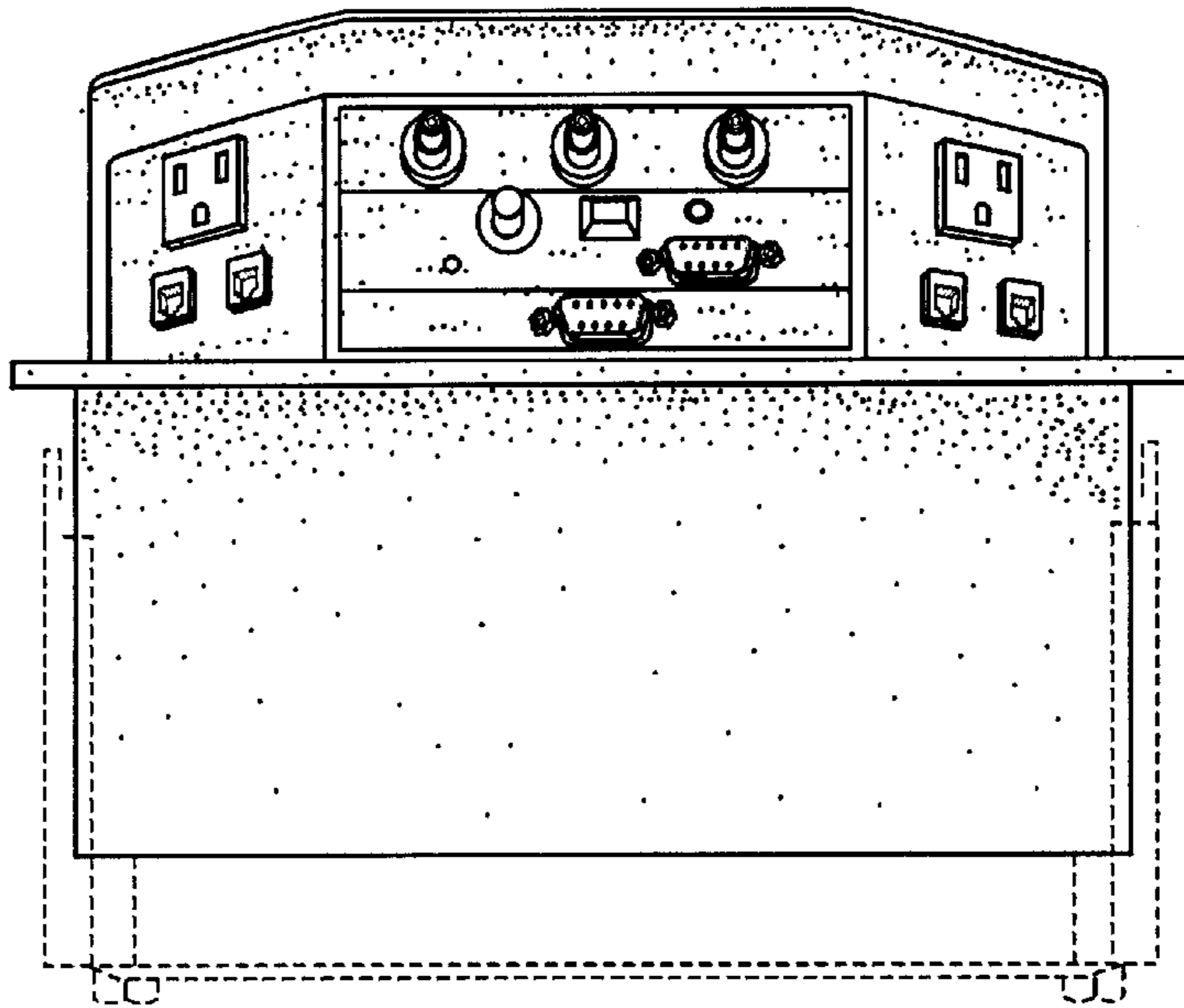


FIG. 3

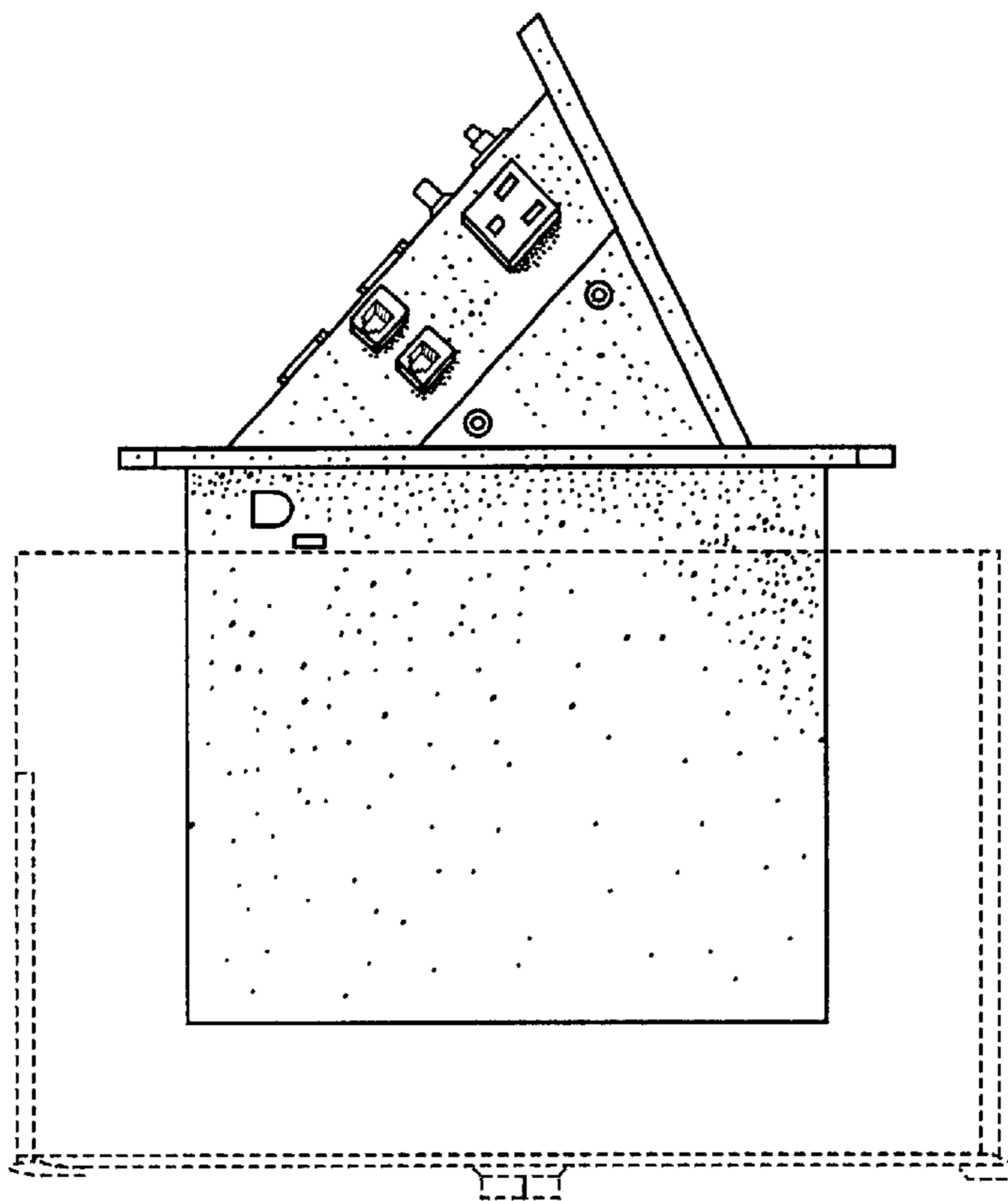
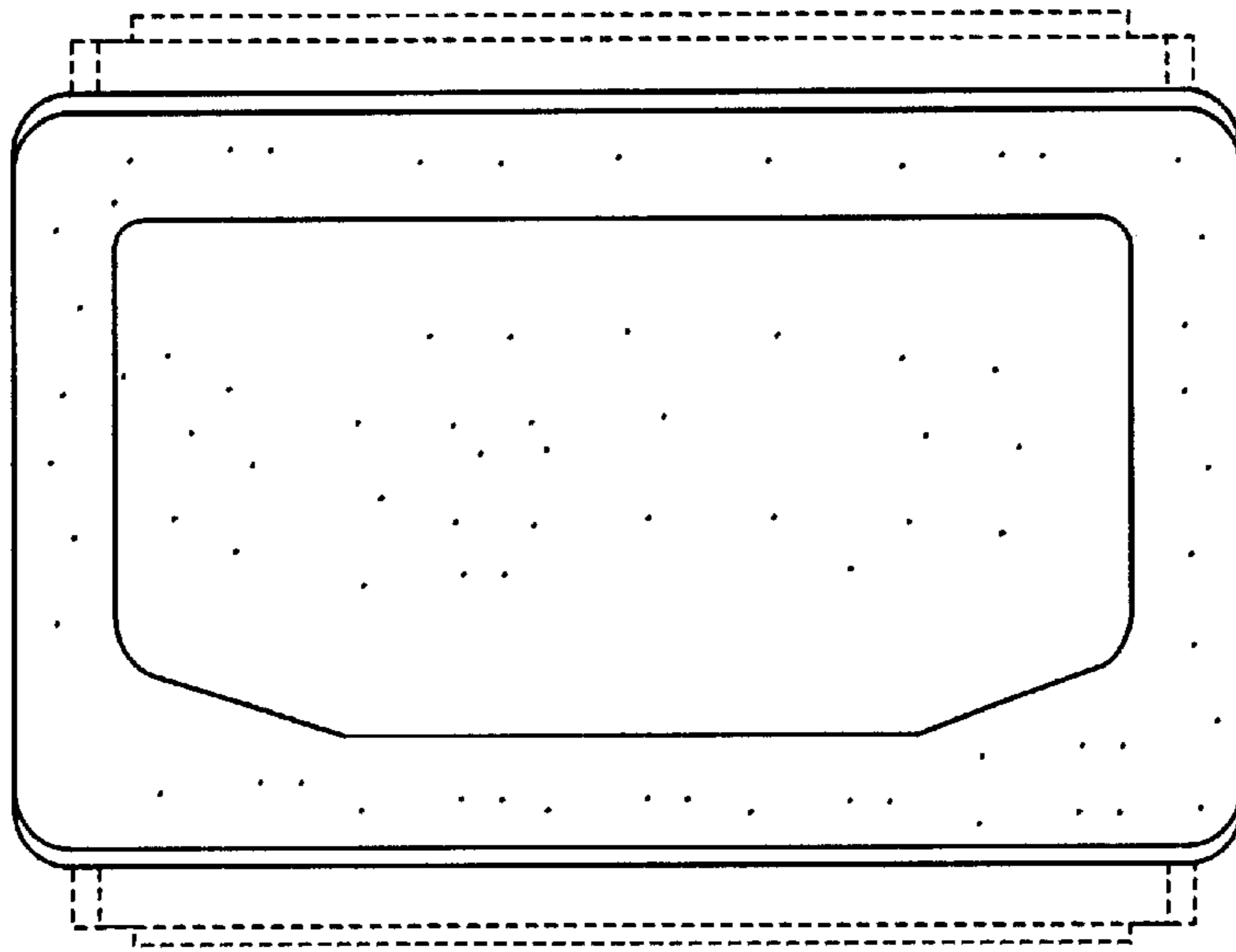
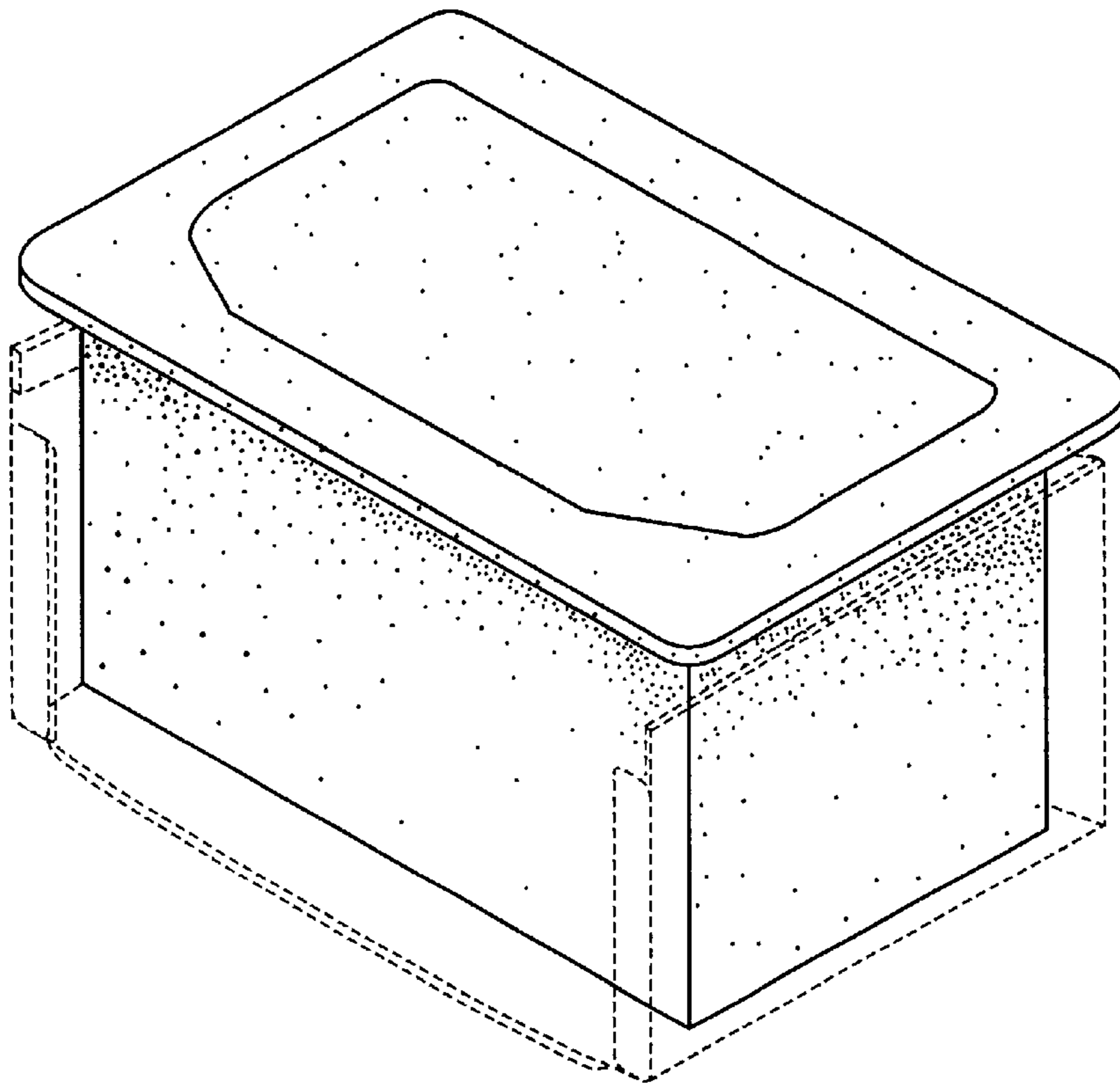


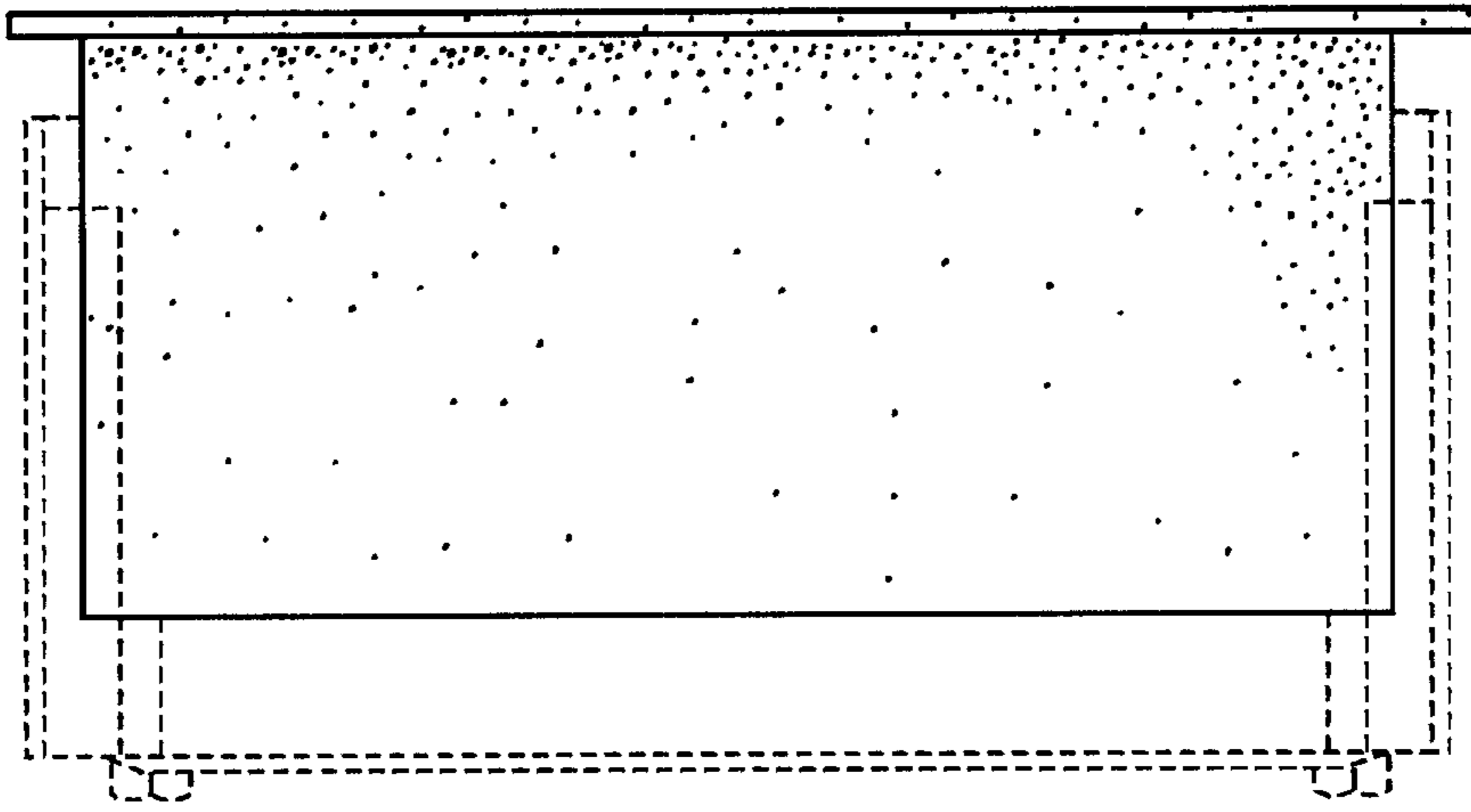
FIG. 4



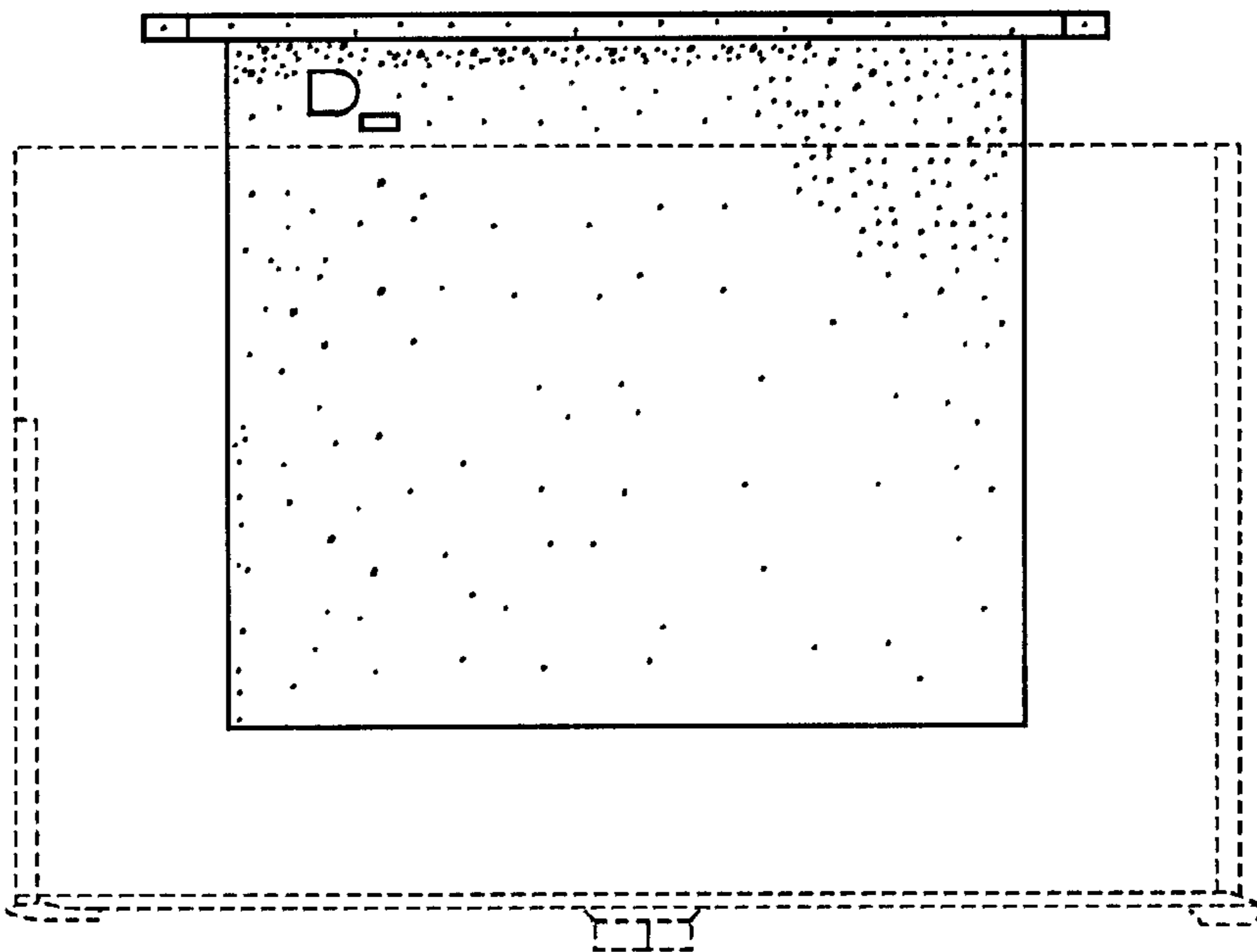
**FIG. 5**



**FIG. 6**



**FIG. 7**



**FIG. 8**