



US00D460734S

(12) **United States Design Patent**
Carlson

(10) **Patent No.:** **US D460,734 S**

(45) **Date of Patent:** **** Jul. 23, 2002**

(54) **ADJUSTER WHEEL SENSOR BRACKET**

(75) Inventor: **Andrew D. Carlson**, Boca Raton, FL (US)

(73) Assignee: **Steeda Corporation**, Pompano Beach, FL (US)

(**) Term: **14 Years**

(21) Appl. No.: **29/144,344**

(22) Filed: **Jul. 2, 2001**

(51) **LOC (7) Cl.** **12-06**

(52) **U.S. Cl.** **D12/223; D15/5**

(58) **Field of Search** **D15/5; D12/223; D8/349, 354, 366, 373; 248/229, 27.1, 300**

(56) **References Cited**

U.S. PATENT DOCUMENTS

D349,036 S * 7/1994 Egigian D8/349

D376,751 S * 12/1996 Hanson D12/223

D393,826 S * 4/1998 Carter D12/223

D401,196 S * 11/1998 Hartwig D12/162

* cited by examiner

Primary Examiner—Melody N. Brown

(74) *Attorney, Agent, or Firm*—McHale & Slavin PA

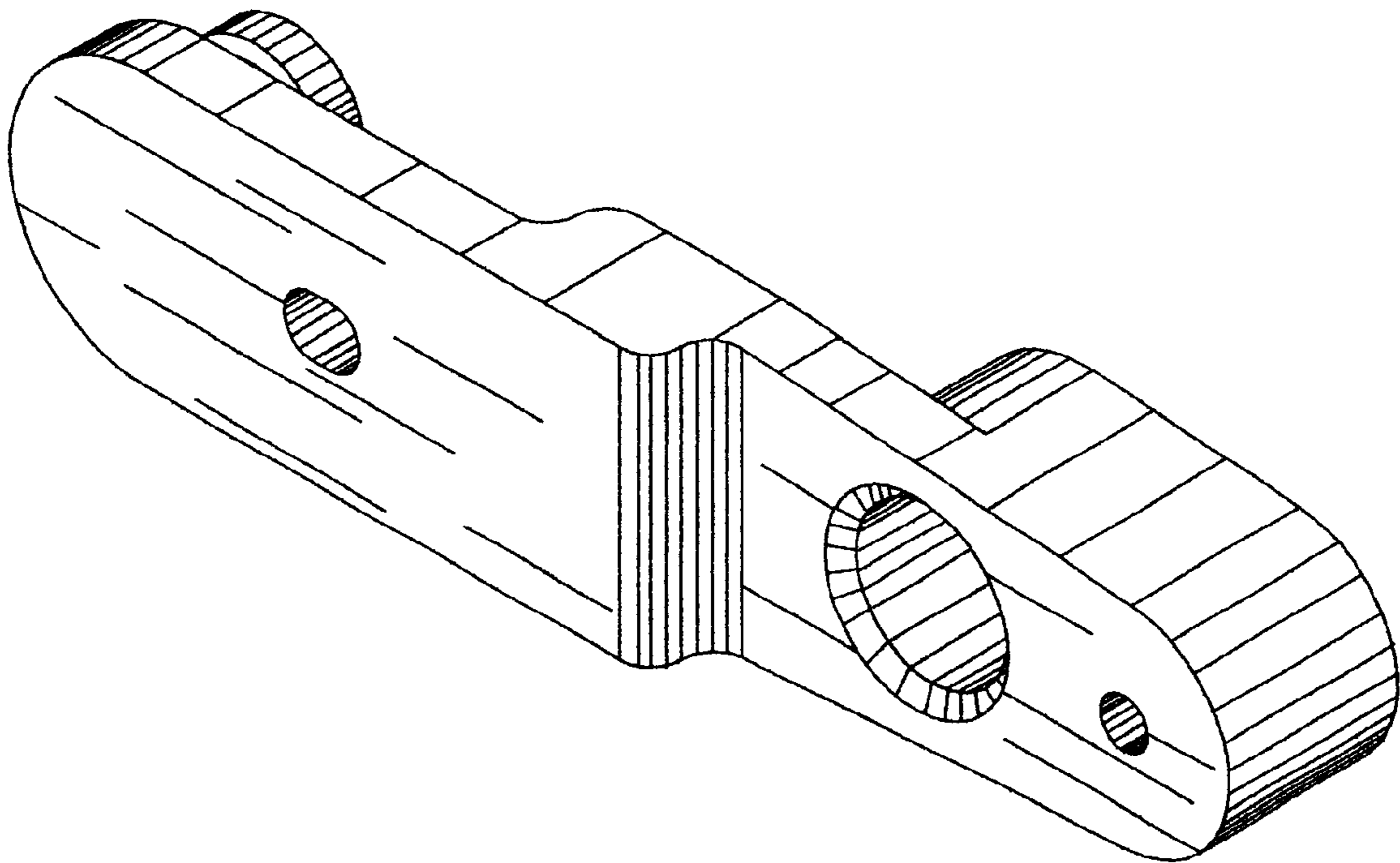
(57) **CLAIM**

The ornamental design of an adjuster wheel sensor bracket, as shown and described.

DESCRIPTION

FIG. 1 is a left side perspective view of the adjuster wheel sensor bracket of the instant invention; FIG. 2 is a left side view of FIG. 1; FIG. 3 is a right side view of FIG. 1; FIG. 4 is a right side perspective view of FIG. 1; and, FIG. 5 is a top plan view, the bottom forming a mirror image of the top.

1 Claim, 5 Drawing Sheets



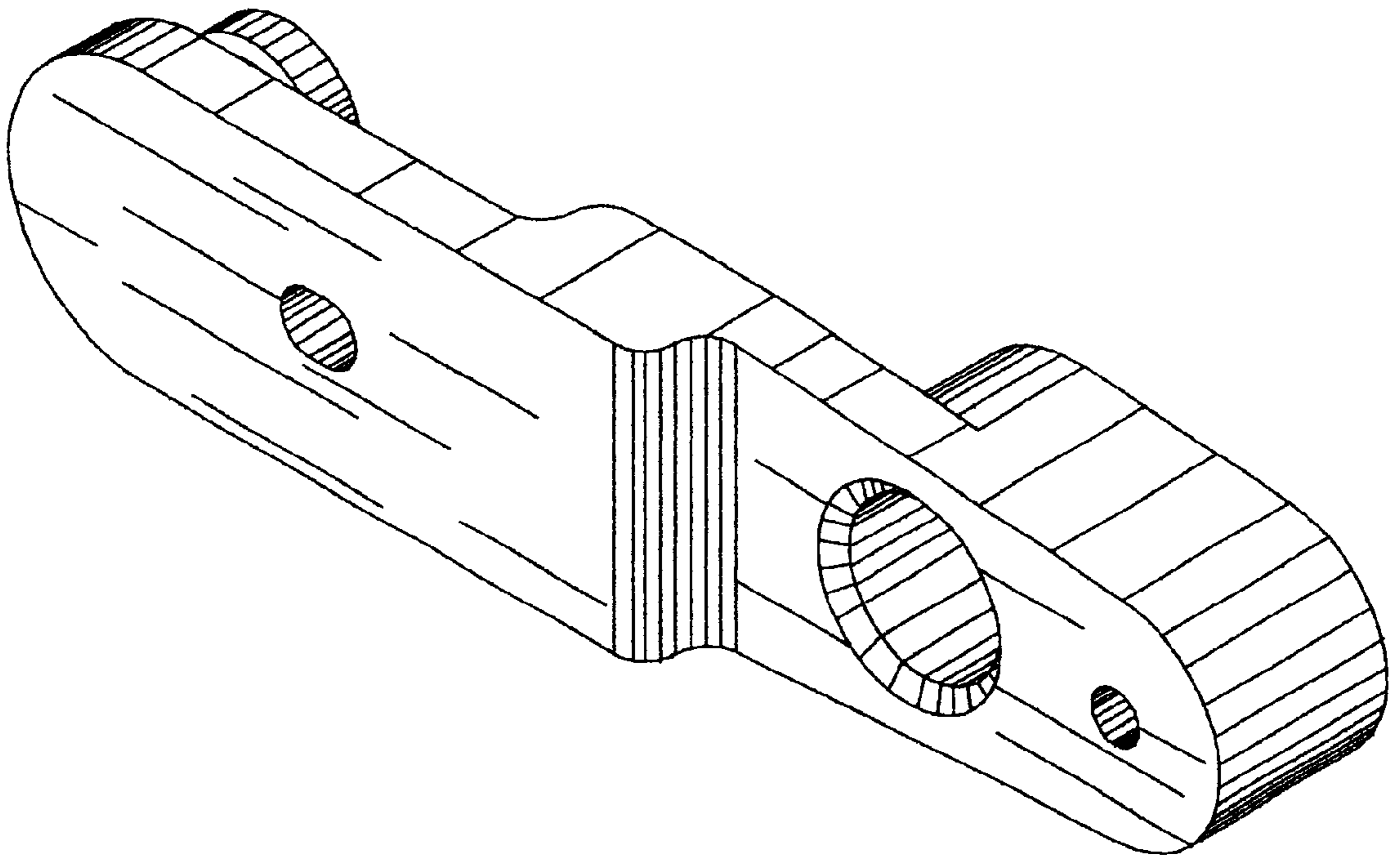


Figure 1

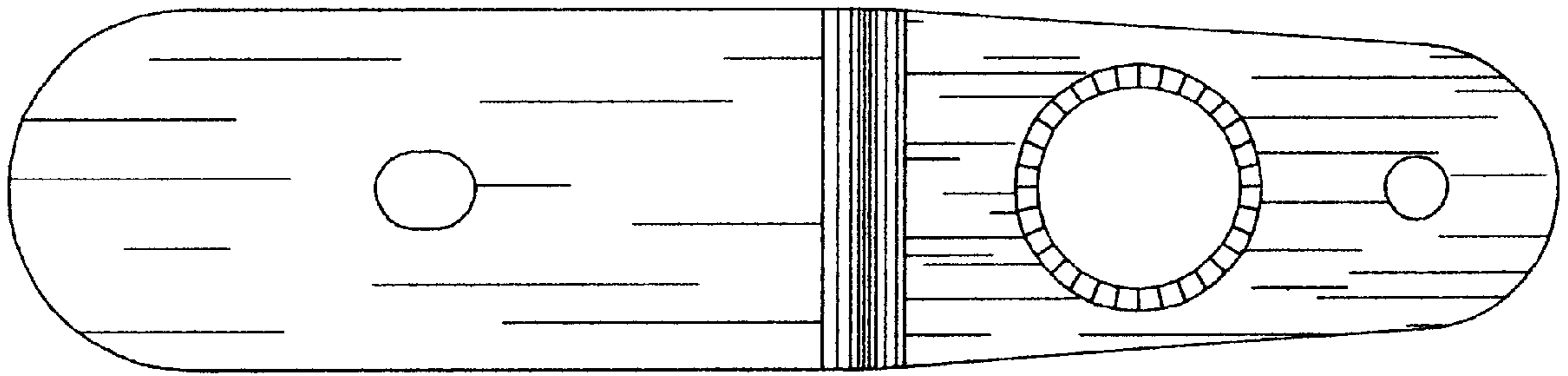


Figure 2

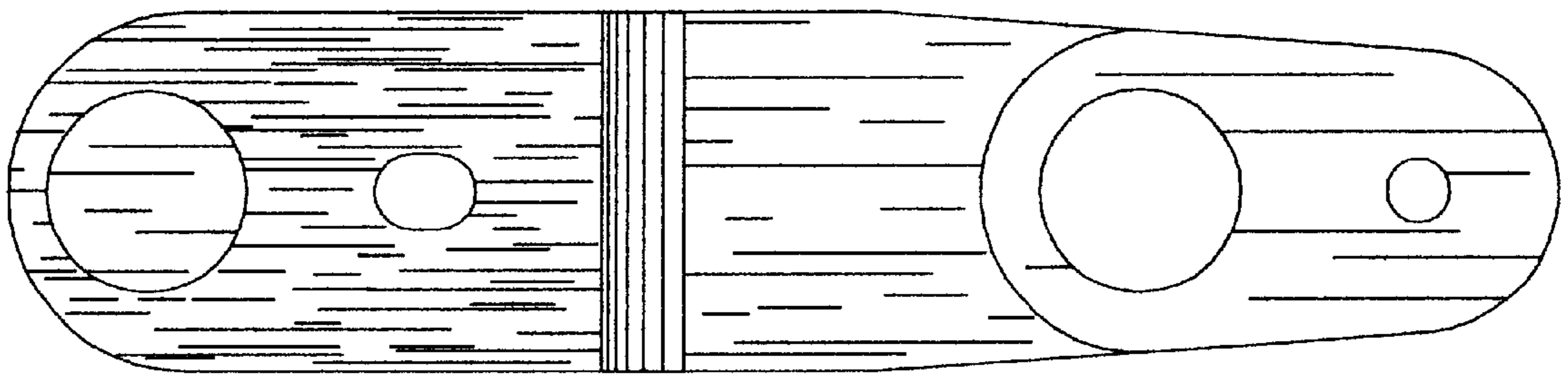


Figure 3

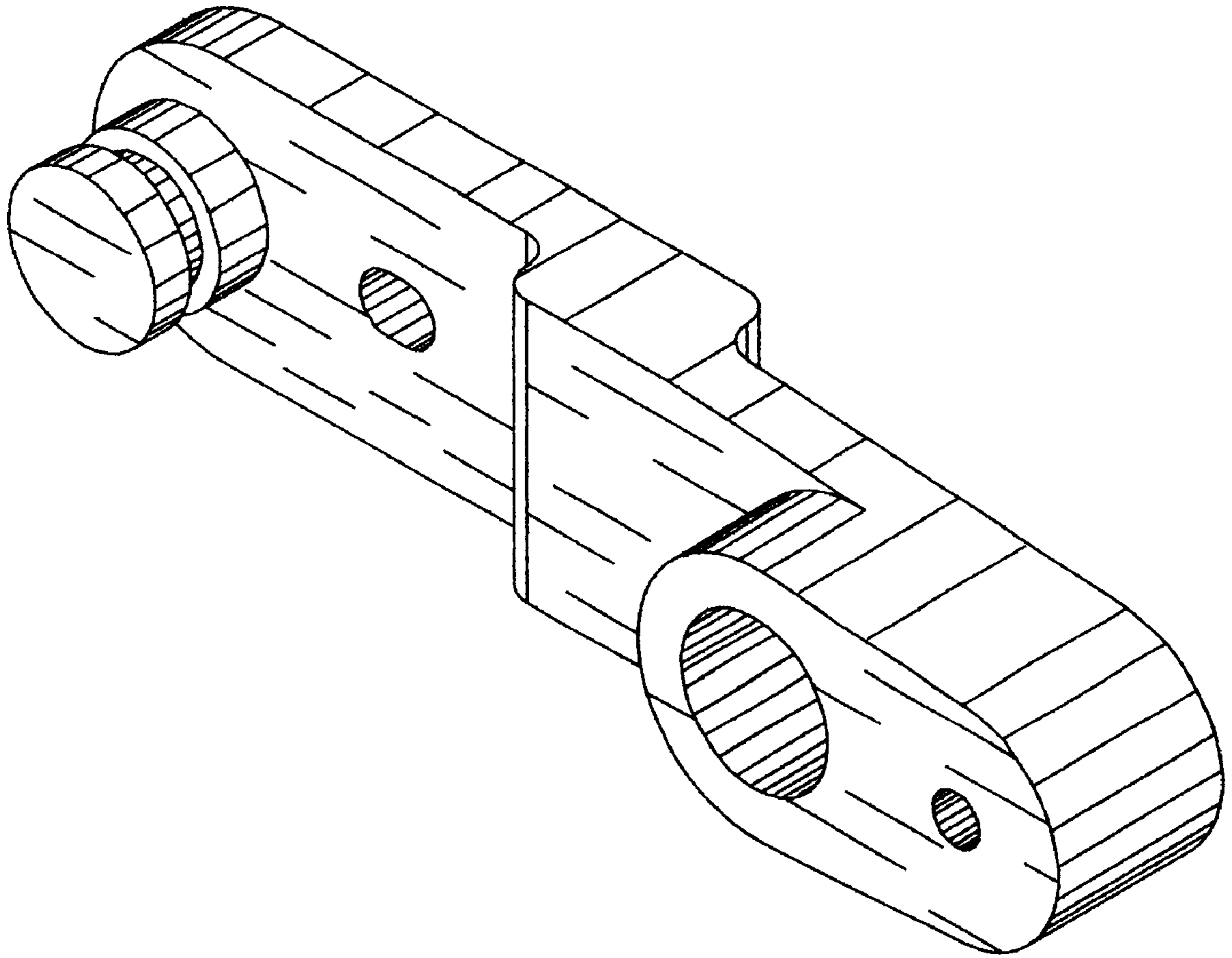


Figure 4

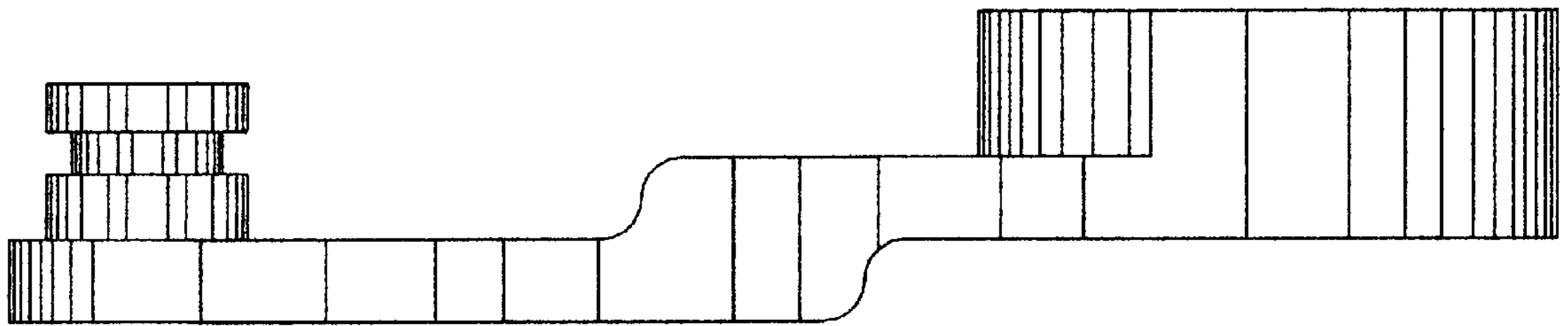


Figure 5