



US00D460732S

(12) **United States Design Patent**  
**Kuribayashi**

(10) **Patent No.:** **US D460,732 S**

(45) **Date of Patent:** **\*\* Jul. 23, 2002**

(54) **VEHICLE WHEEL**

(75) **Inventor:** **Misao Kuribayashi**, Rochester Hills,  
MI (US)

(73) **Assignee:** **Enkei International, Inc.**, Fort Worth,  
TX (US)

(\*\*) **Term:** **14 Years**

(21) **Appl. No.:** **29/121,121**

(22) **Filed:** **Mar. 31, 2000**

(51) **LOC (7) Cl.** ..... **12-16**

(52) **U.S. Cl.** ..... **D12/211**

(58) **Field of Search** ..... D12/204-211;  
301/37.1, 64.1, 65

(56) **References Cited**

**U.S. PATENT DOCUMENTS**

D208,541 S	*	9/1967	Rader	.....	D12/211
D377,471 S	*	1/1997	Stach	.....	D12/209
D392,237 S	*	3/1998	Kelley	.....	D12/209
D396,839 S	*	8/1998	Cullen	.....	D12/211
D398,896 S	*	9/1998	Suprihanto	.....	D12/209
D403,649 S	*	1/1999	Moreno	.....	D12/211
D410,614 S	*	6/1999	Fitzgerald	.....	D12/209
D416,845 S	*	11/1999	Frueh	.....	D12/209
D416,848 S	*	11/1999	Bernoni	.....	D12/209
D423,446 S	*	4/2000	Chung	.....	D12/211
D431,517 S	*	10/2000	Donikoglu	.....	D12/209

D431,807 S	*	10/2000	Fitzgerald	.....	D12/211
D432,068 S	*	10/2000	Fitzgerald	.....	D12/209
D432,480 S	*	10/2000	Chung	.....	D12/209
D436,568 S	*	1/2001	Chung	.....	D12/209
D436,907 S	*	1/2001	Ong	.....	D12/209
D437,276 S	*	2/2001	Hodges	.....	D12/209
D443,579 S	*	6/2001	Herrera	.....	D12/209

\* cited by examiner

*Primary Examiner*—Stacia Cadmus

(74) *Attorney, Agent, or Firm*—Rader, Fishman & Grauer  
PLLC

(57) **CLAIM**

The ornamental design for a vehicle wheel, as shown and described.

**DESCRIPTION**

FIG. 1 is a front view of a vehicle wheel, showing my new design;

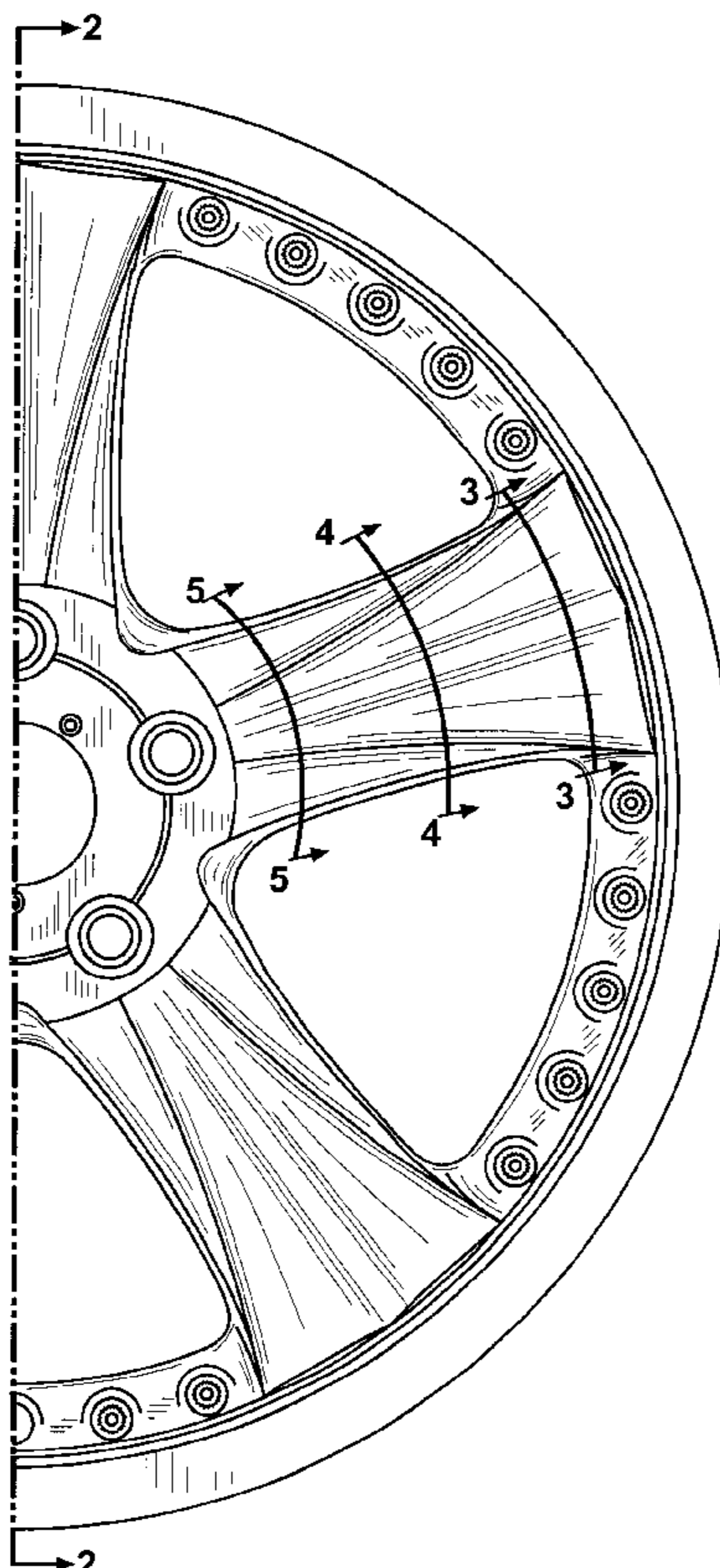
FIG. 2 is a cross-sectional view taken along line 2—2 in FIG. 1;

FIG. 3 is an enlarged cross-sectional view taken along line 3—3 in FIG. 1;

FIG. 4 is an enlarged cross-sectional view taken along line 4—4 in FIG. 1; and,

FIG. 5 is an enlarged cross-sectional view taken along line 5—5 in FIG. 1.

**1 Claim, 3 Drawing Sheets**



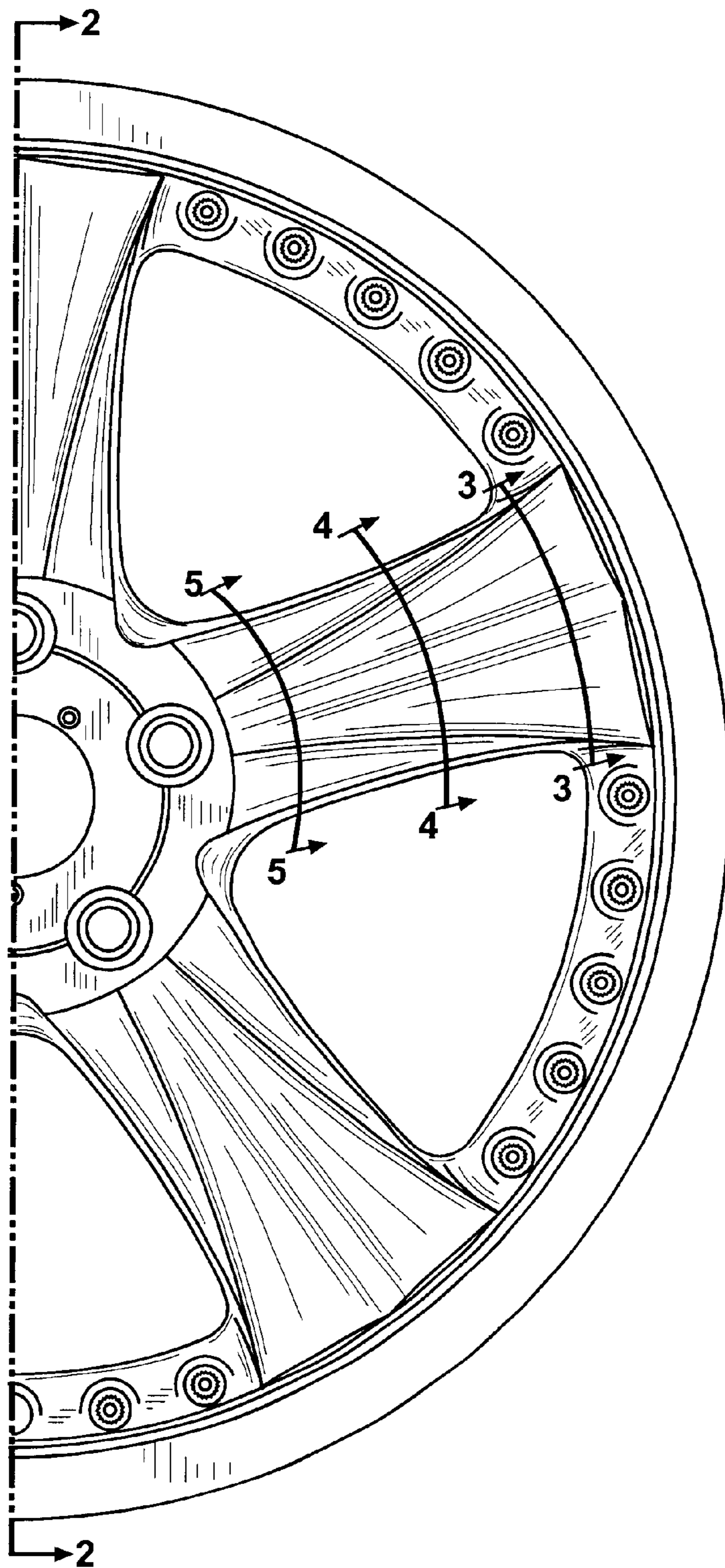


Fig. 1

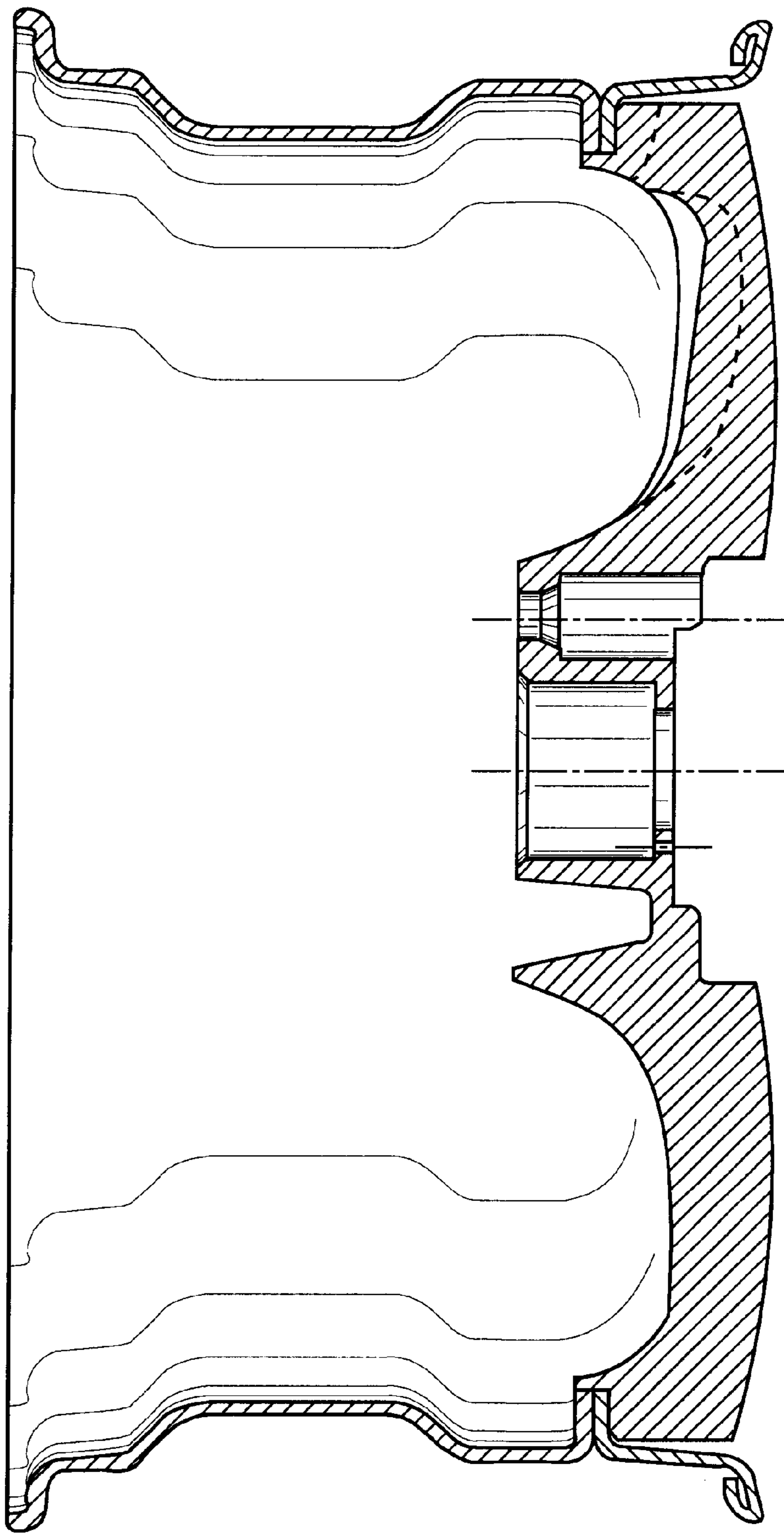
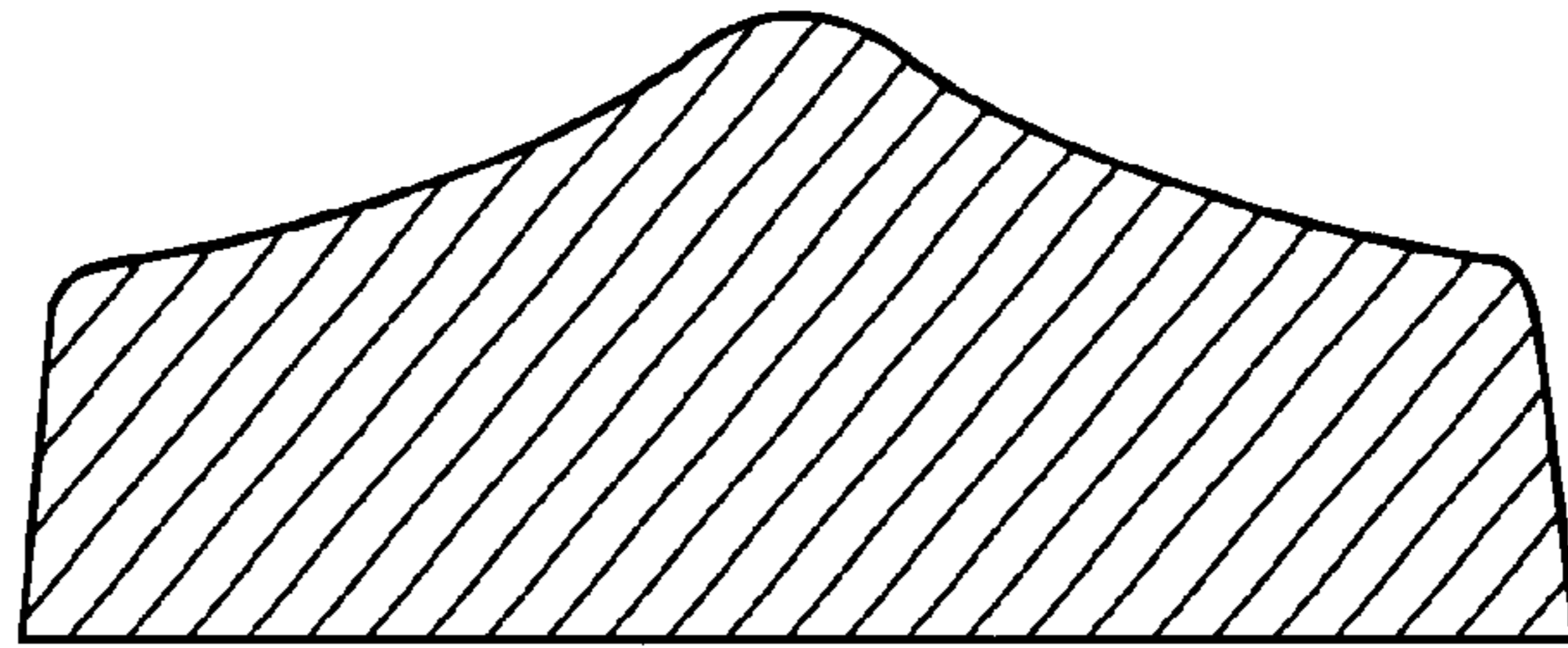
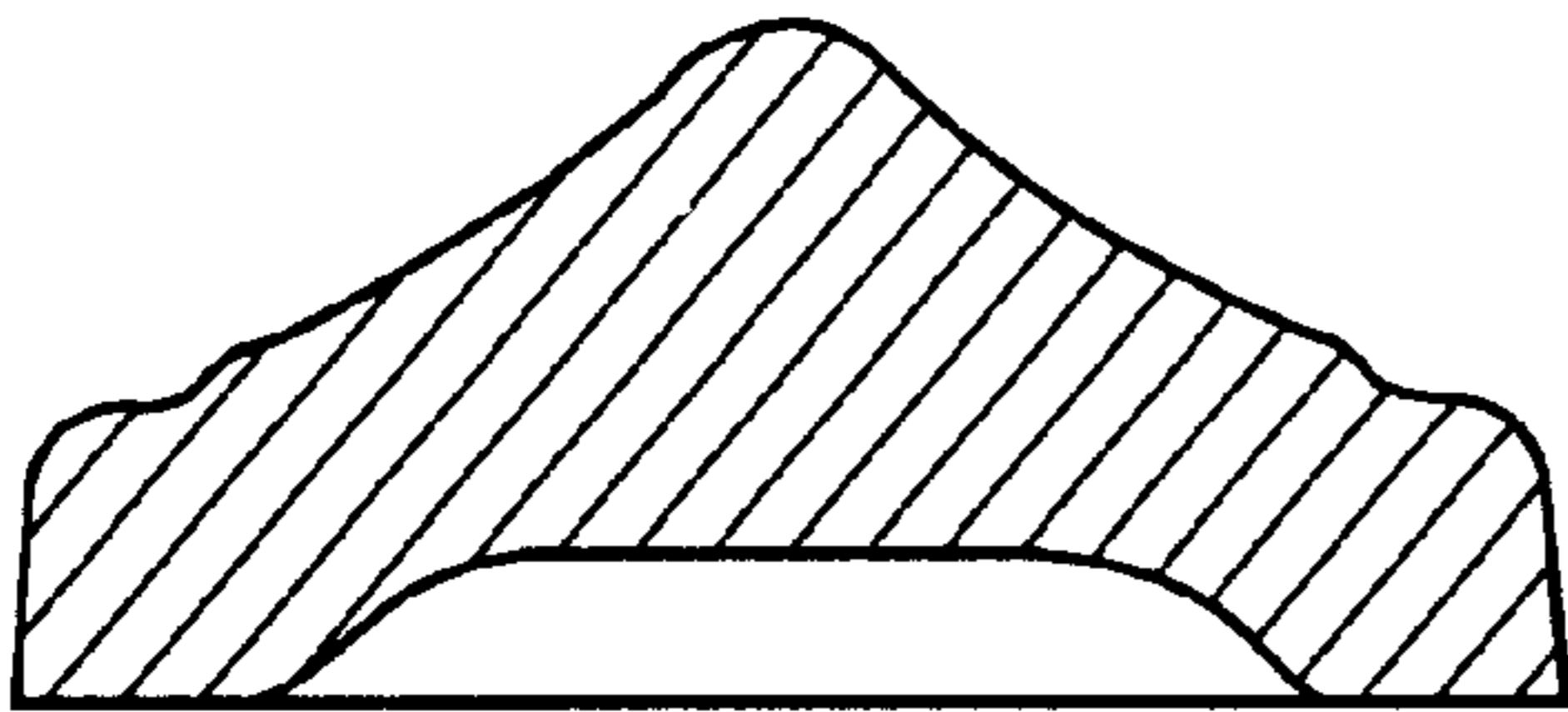


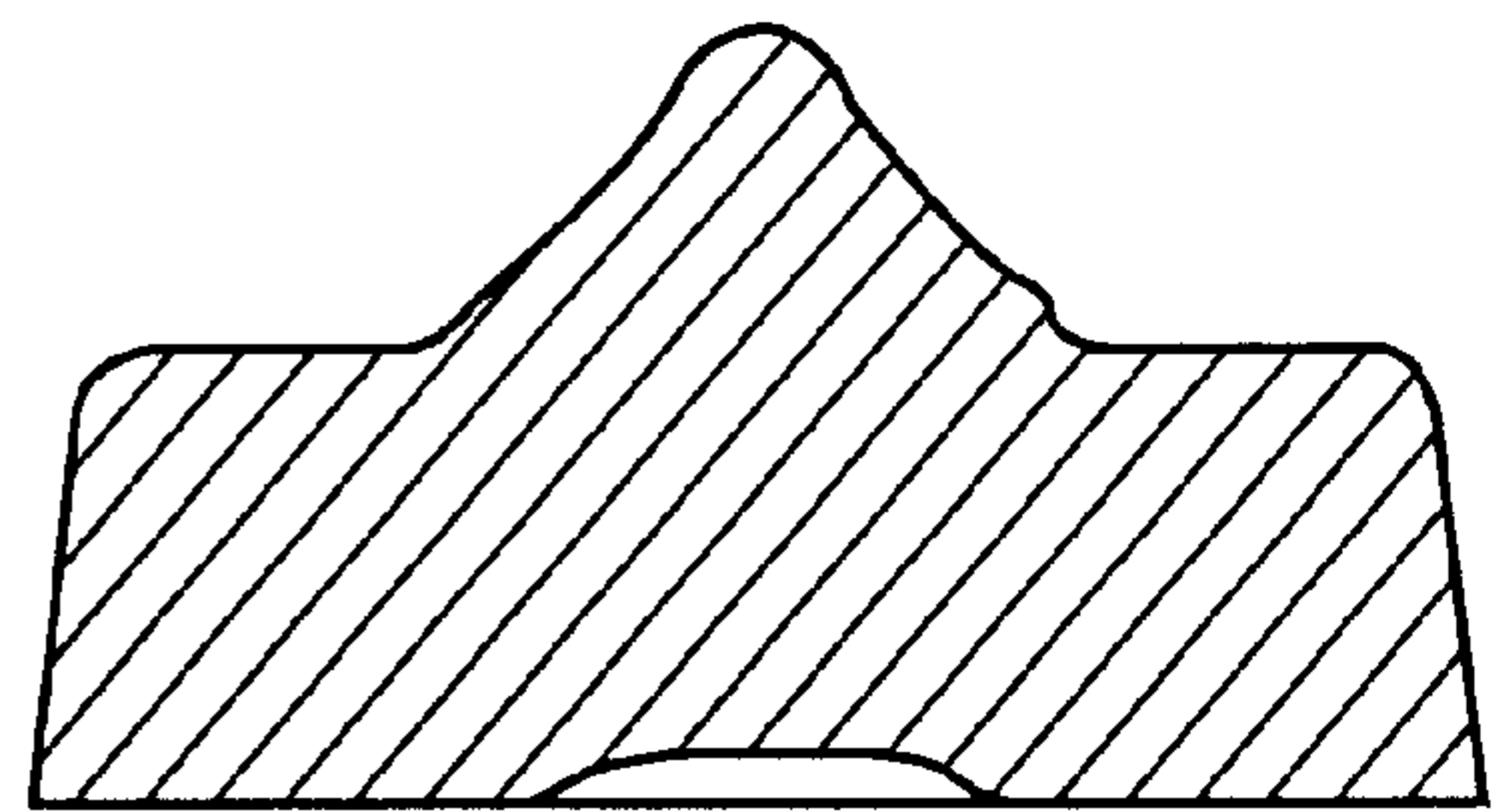
Fig. 2



**Fig. 3**



**Fig. 4**



**Fig. 5**